

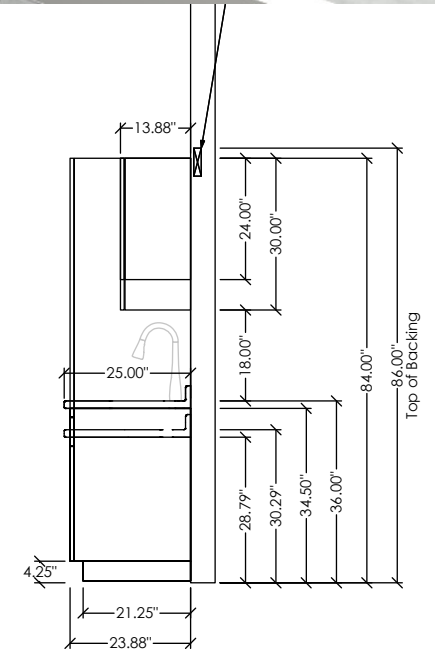
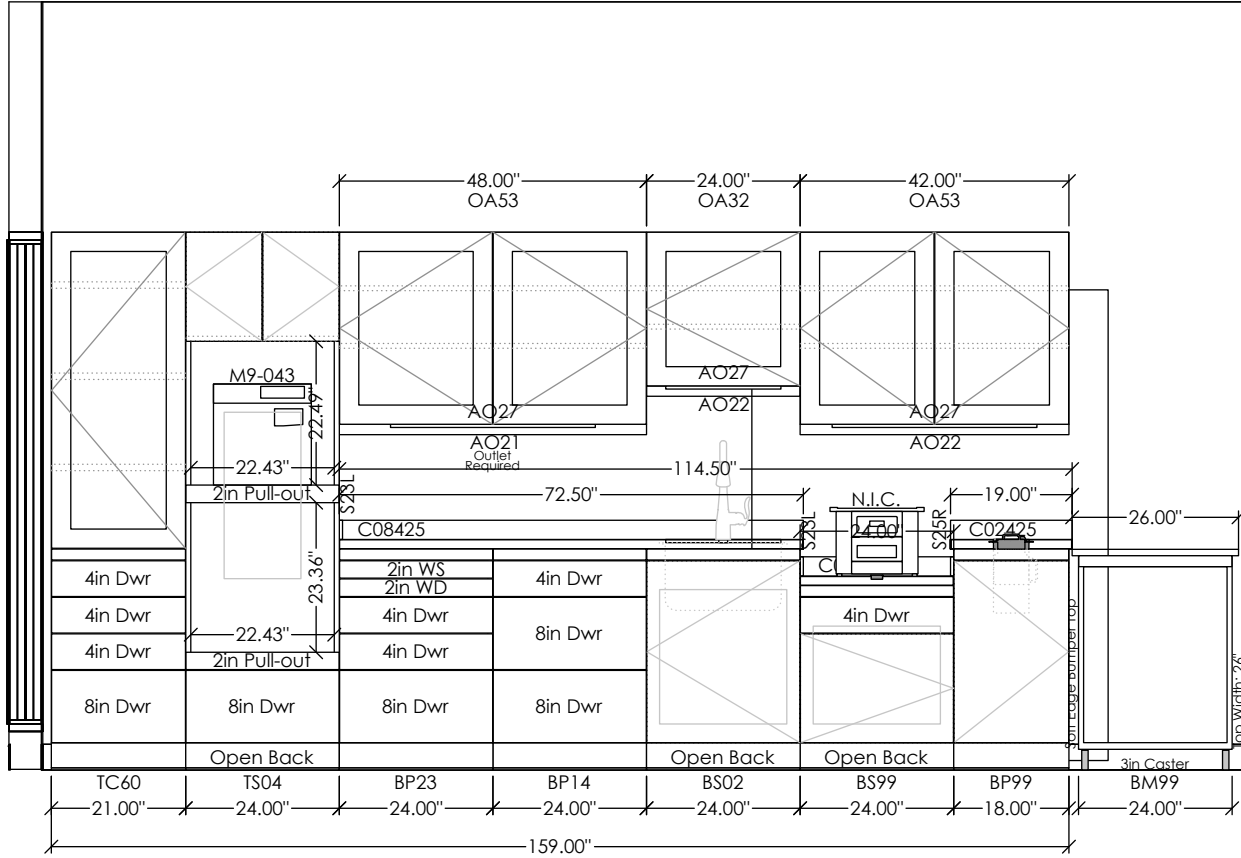


www.midmark.com
design@midmark.com
Phone: 1-800-MIDMARK

Project Name AH Customer Experience Center		Project # MS190635		Phase 01	Rev: 1
Base Finish:	804-Venus Silver	Tasklight:	Included	Top Material:	Solid Surface
Upper Finish:	791-Frost	Grommet:	AC27.0201, AC21.0406,	Top Color:	Arrowroot
Panel Style:	Cove Panel	Ultrasonic:	None	Note:	
Handle:	None	Note:		Sink:	USX-1620-A
Lock:	No Lock	Note:		Faucet:	CFT-8CHGSPULL-1

Signed Drawings Required To Process Order

(Signature) _____ (Date)



09-Sterilization

See Countertop Detail Sheet: Solid Surface A, Rolled Edge w/ Int BS 1" x 3"