



Better accessibility for patients and staff

Midmark ADA-compliant, front-approach sink units help accommodate provider and patient needs, regardless of mobility limitations or devices. The sink units feature a removable front panel for access to plumbing and a unique 18-inch deep unit that meets regulatory guidelines without taking up additional exam space.



SPECIFICATIONS

18" DEEP UNITS:

Stainless Steel Drop-in

Polar Ware Sink:
 CSK-S11D05-0 (Round)
 CSK-S131105-1 (Square)
 CSK-S131105-2 (Square)

Corian® Undermount

Faucet must be side mounted
 Corian 802 Sink:
 027-1303-07

24" DEEP UNITS:

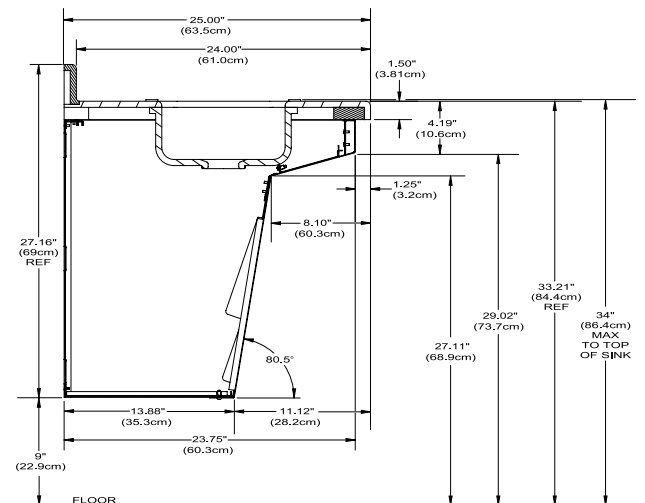
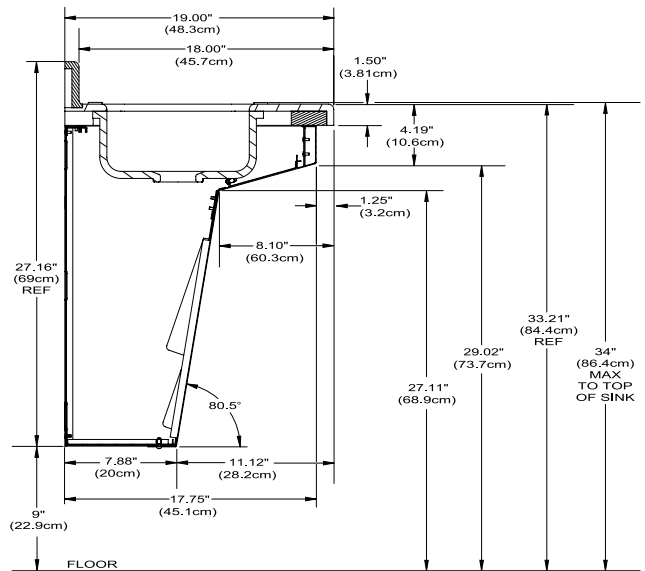
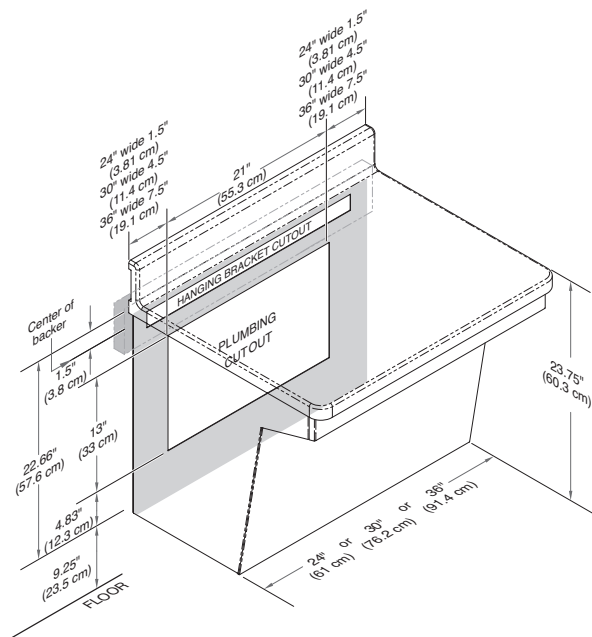
Stainless Steel Drop-in

Elkay® Single Bowl Sink:
 CSK-S211605-3

Elkay Double Bowl Sink:
 CSK-D141605-3

Corian Undermount

Corian 802 Sink:
 027-1303-08



CARB 93120.2 Phase 2 Compliant

No product can guarantee points. Points are cumulative for all effected materials for a LEED® project. For further information on LEED, please visit the USGBC website: usgbc.org

Midmark is an ISO 13485 and ISO 9001 Certified Company. Certain products are not included. See the complete list at: midmark.com/ISO

For more information, contact your Midmark dealer or call: 1.800.MIDMARK

Outside the USA call: 1.937.526.3662 or visit our website: midmark.com

Corian is a registered trademark of DuPont de Nemours and Company.

Elkay is a registered trademark of Elkay Manufacturing Company.

© 2020 Midmark Corporation, Miamisburg, Ohio USA
 Products subject to improvement changes without notice. Litho in USA

007-10289-00 Rev. A1 (01/20)

