

MIDMARK CORPORATION

DH002 WALL CABINET

DES. **R. LA BRIE**

EASE JOB NO. **11-0927**

DATE **10/1/09**

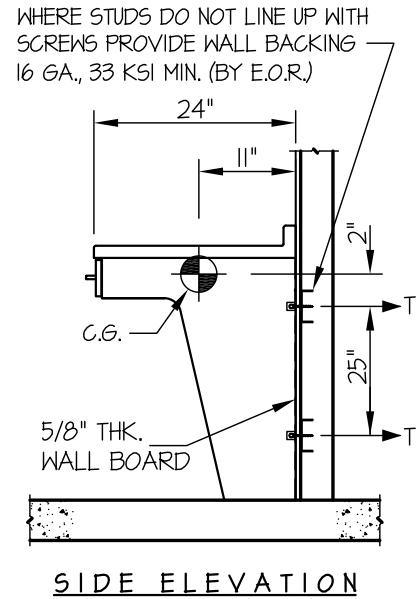
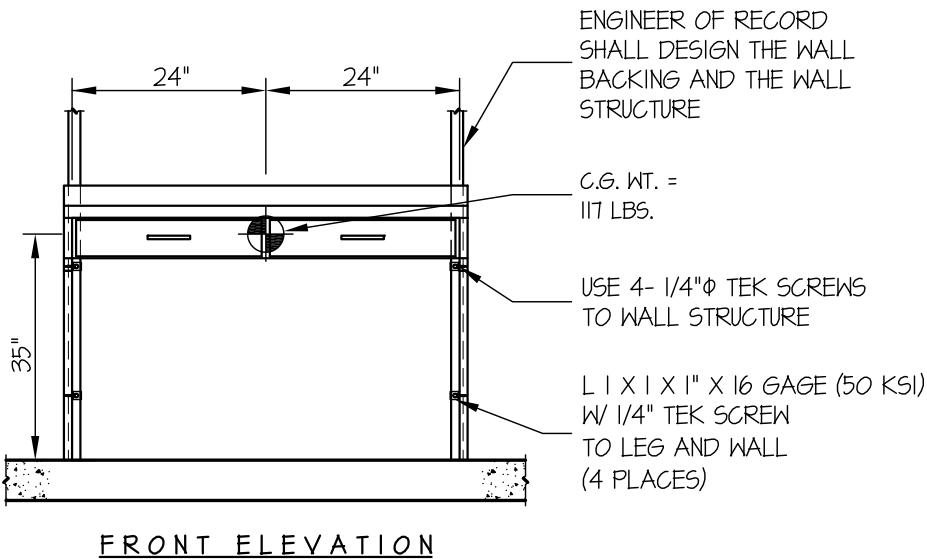
SHEET

1

OF **1** SHEETS

SEISMIC ANCHORAGE

WALL MOUNTED



LOADS: PER 2007 CALIFORNIA BUILDING CODE SECTION 1613A AND ASCE 7-05 SECTIONS 12 AND 13.
(WORKING LOADS, NOT ULTIMATE)

WEIGHT = 117 LBS.

HORIZONTAL FORCE (E_h) = $0.97W_p = 113$ LBS.

VERTICAL FORCE (E_v) = $0.27W_p = 32$ LBS.

1/4"Φ TEK SCREWS
IN 16 GA, 50 KSI STEEL

$T_{ALLOW.} = 260$ LBS

$V_{ALLOW.} = 612$ LBS

SCREW FORCES:

TENSION (T)

$$T_{PARALLEL} = \frac{113 \# (11") (27")}{48" (25")} = 28 \text{ LBS/SCREW}$$

$$T_{PERP.} = \frac{113 \# (27")}{2 \text{ SCREWS } (25")} = 61 \text{ LBS/SCREW}$$

$$T_{MAX.} = \sqrt{28^2 + 61^2} = 67 \text{ LBS/SCREW (MAX)}$$

SHEAR (V)

$$V_{MAX.} = \frac{113 \# (27")}{2 \text{ SCREWS } (25")} = 61 \text{ LBS/SCREW (MAX)}$$

