



Artizan® Expressions Central Station Installation

Applies to Models:
CS109 (72")
CS109-TB (90")

Special Tools:
none

Language of origin: English

Note:
Midmark cabinetry unit must be connected to a dedicated circuit with disconnect rated at 20A, 115V~, 60HZ. Failure to comply could result in an overload of the electrical circuit and/or components. All wiring, including disconnect, and plumbing must be installed by a licensed electrician or plumbing contractor following applicable local, city, and national codes.

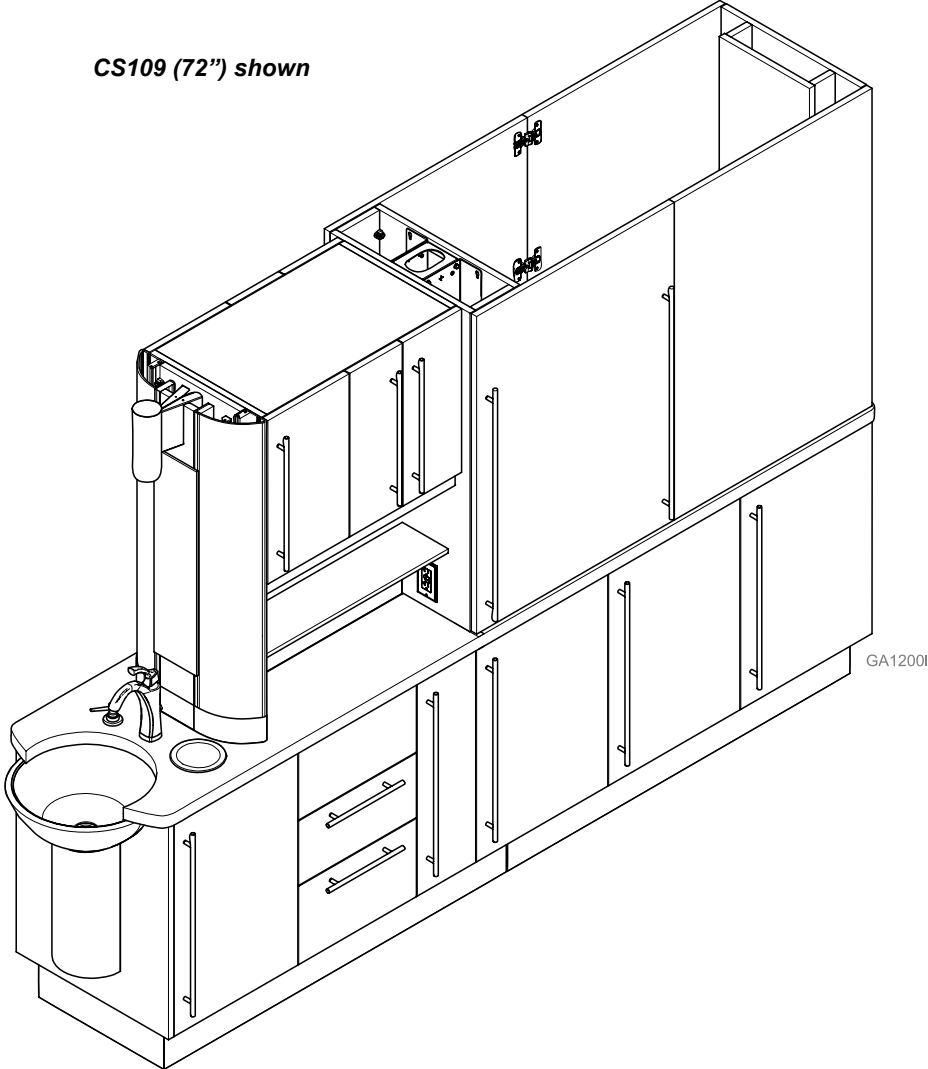
Midmark cabinetry unit contains electrical duplex outlets which are rated at a combined 15 amps. This rating must be taken into consideration when plugging device(s) into the available outlets.



Equipment Alert

Inspect all components for shipping damages. A concealed damage report must be filed with the carrier (by the person receiving the goods) within 15 days of delivery.

CS109 (72") shown



GA1200I

TP201 Rev. A

Important Information and Symbols

These symbols may appear on your equipment and / or in the manuals.



WARNING

Indicates a potentially hazardous situation which could result in serious injury if not avoided.



Caution

Indicates a potentially hazardous situation which may result in minor or moderate injury if not avoided. It may also be used to alert against unsafe practices



Equipment Alert

Indicates a potentially hazardous situation which could result in equipment damage if not avoided.

Note:

Amplifies a procedure, practice or condition.

Contact Information:

Midmark Corporation
115 G.L. Comer Road
Glasgow, Kentucky 42141
Phone: 1-800-643-6275 ext. 88015
Fax: (270)-651-1732

Intended Use

The Artizan® Expressions line of cabinetry is intended for use by the professional dental practitioners as supporting products in their practice providing adequate storage and technology integration for typical operator products and equipment while still retaining an aesthetic appeal. The cabinetry should be designed to address the needs that the dental practitioners have when working in the operator.



Proper Shipping Orientation



Fragile



Keep Dry



Consult User Guide



AC (Alternating Current)



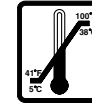
Corrugated Recycle



Pressure Limits



Humidity Limit



Temperature Limit



Type B Applied Part



Protective Earth Ground



No Stacking

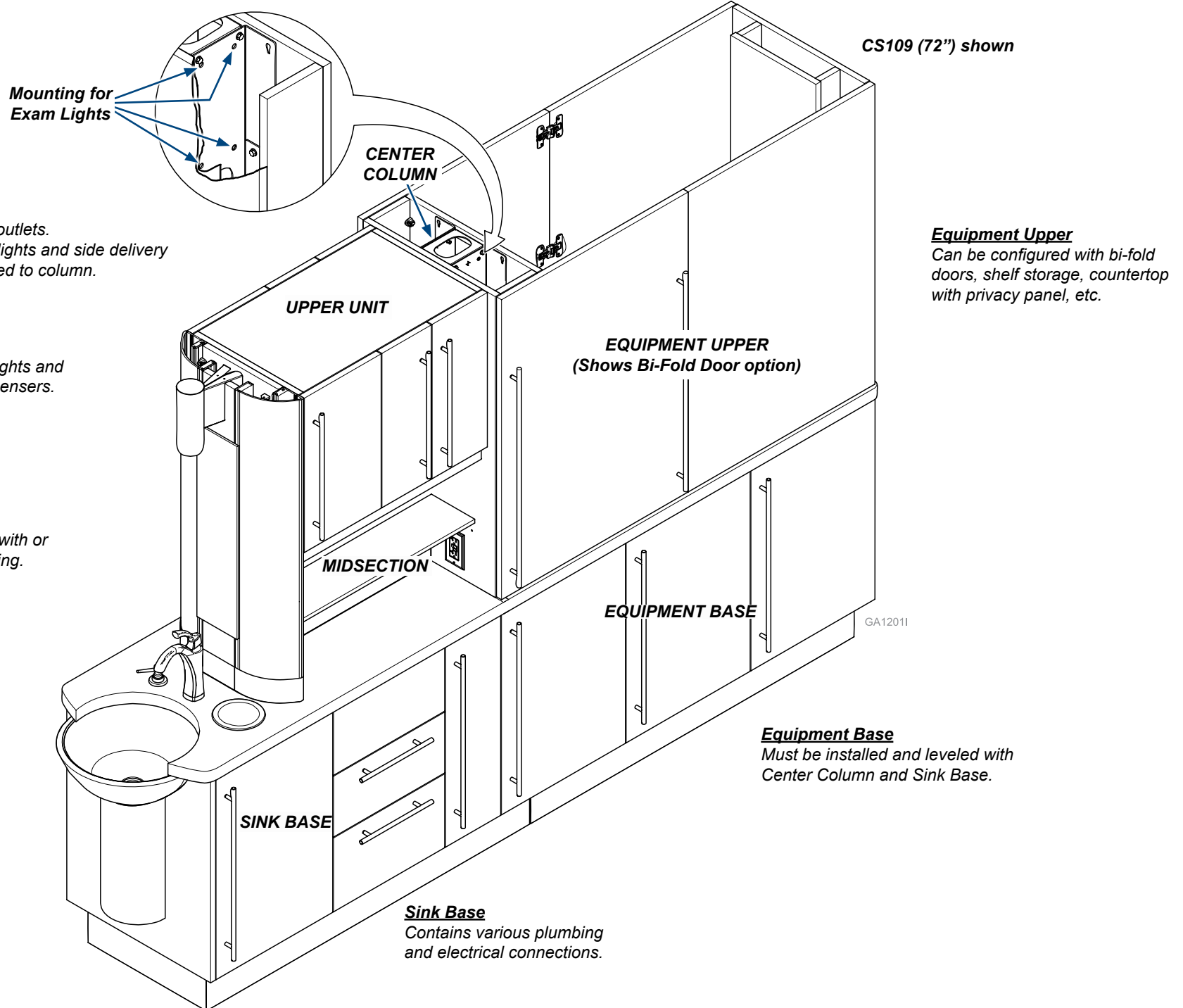
Transportation / Storage / Operating Conditions

Transportation / Storage Temperature Range: ..0°F to 140°F (-18°C to 60°C)
Relative Humidity:.....10% to 90% (Non-Condensing)
Atmospheric Pressure:.....7.2 PSI to 15.3 PSI (50 kPa to 106 kPa)
Operating Temperature Range.....59°F to 95°F (15°C to 35°C)

Disposal of Equipment / Consumable Goods

At the end of this products life, the unit, accessories and other consumable goods may be contaminated from normal use. Consult local codes and ordinances for proper disposal of this equipment and other consumable.

Artizan® Expressions Central Station Identification



CS109 (72") shown

Equipment Upper
Can be configured with bi-fold doors, shelf storage, countertop with privacy panel, etc.

Center Column
Contains electrical outlets.
Optional operatory lights and side delivery units can be mounted to column.

Upper Unit
May contain task lights and optional glove dispensers.

Midsection
Can be configured with or without glass shelving.

Equipment Base
Must be installed and leveled with Center Column and Sink Base.

Sink Base
Contains various plumbing and electrical connections.

GA12011

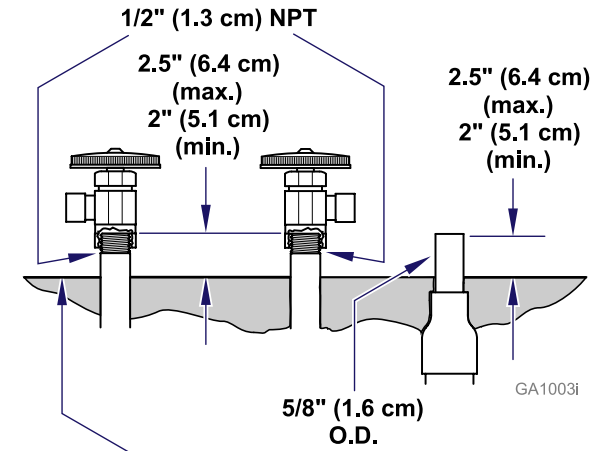
Floor Layout

Note:

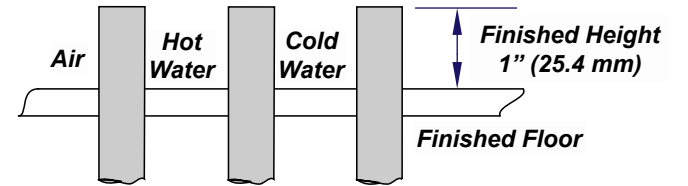
Have licensed electrical and plumbing contractors position and install electrical outlet receptacles and related plumbing using the pre-installation template or layout. Assure floor is of such construction that the unit will be adequately supported and anchored. If necessary contact a licensed contractor to reinforce the flooring.

Note:

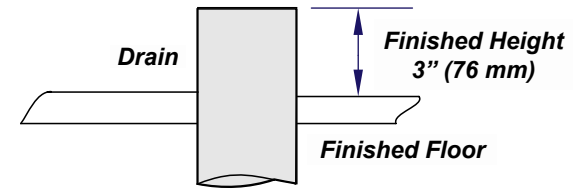
- A full size, pre-installation floor template is available upon request:
- Central Station, P/N: 003-2615-00
 - Central Station, Alcove, P/N: 003-2615-01



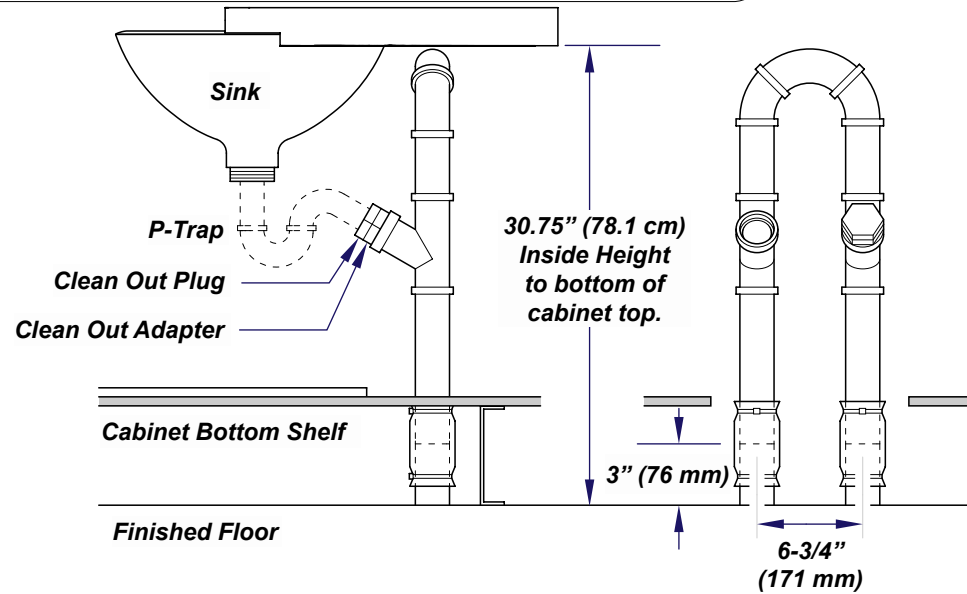
Finished Floor



Finished Height
1" (25.4 mm)

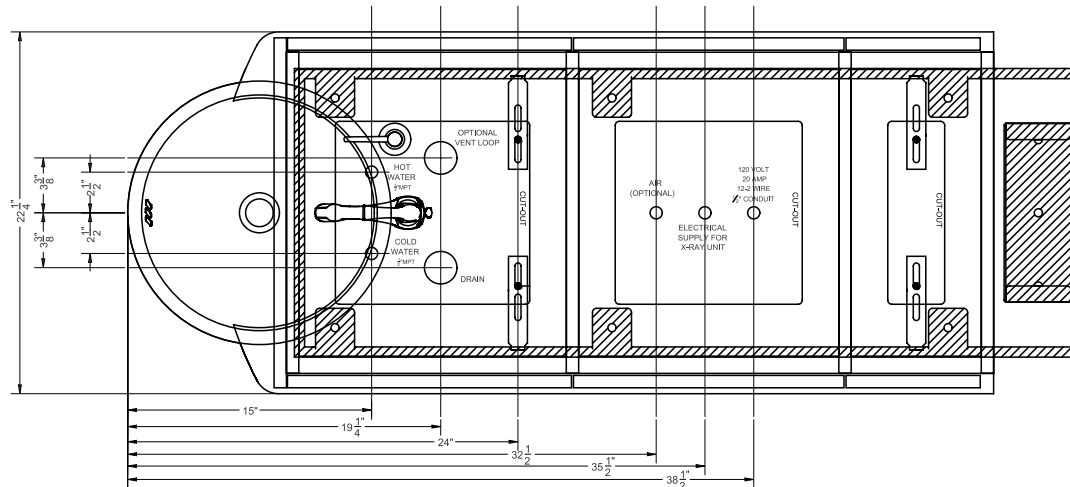


Finished Height
3" (76 mm)



Cabinet Bottom Shelf

Finished Floor



GA1202i

Installation (Artizan® Expressions Central Station)

Step 1: Remove Sink Base and Equipment Base

- A) Remove central sink base and equipment base from packaging.
- B) Remove cabinet drawers, doors and shelves. (Refer to Drawer Removal, Installation, and Adjustment and Door Removal, Installation, and Adjustment in this manual).
- C) Access under the cabinet through false bottom cutouts use a 1/2" socket to remove lag screws securing base clips and cabinet to shipping pallet.
- D) Move both cabinets into area for installation.
- E) Using floor template, or measurement specified on Floor Layout page drill holes into floor for base clip and center column floor brace installation. Use a 3/8" masonry drill bit for concrete and a 9/32" wood drill bit for composite flooring.
- F) Set Sink cabinet in place over rough-in plumbing.

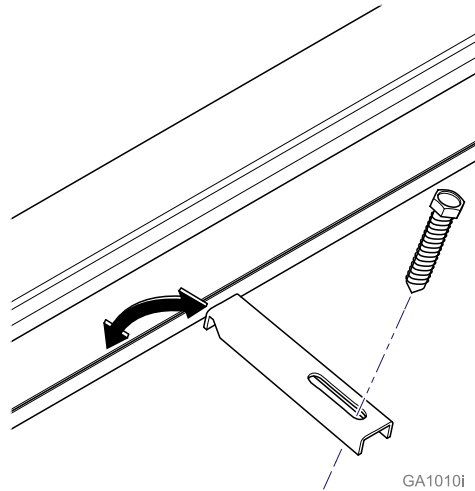
Note: Be sure to save base clips to use later in the installation process to secure cabinet to floor of the building.



WARNING

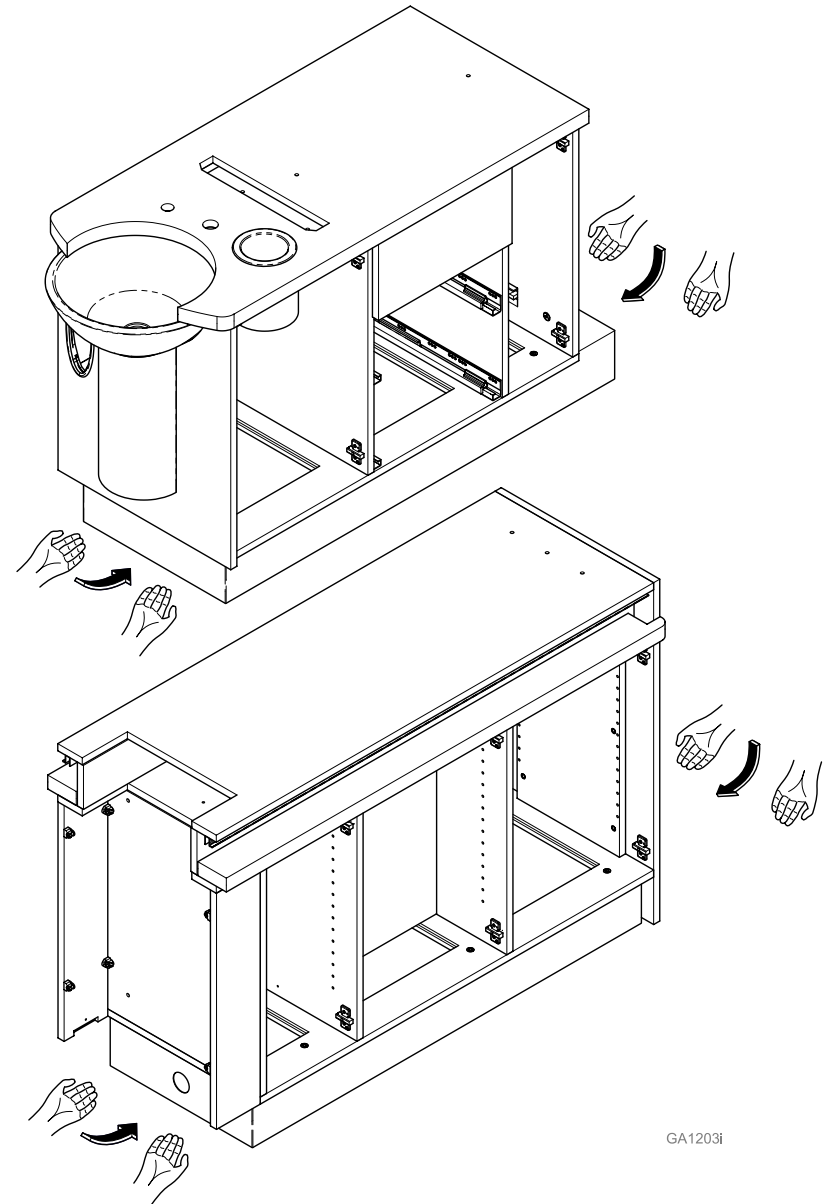
Do not lift from countertop edge. Refer to illustrations for proper lifting points.

Base Clip Removal / Install



Caution

Cabinet modules are significant in weight. Lift with two people on the bottom edge of the cabinet. Only lift the cabinet in designated locations after drawers have been removed. Refer to illustrations for proper lifting points.

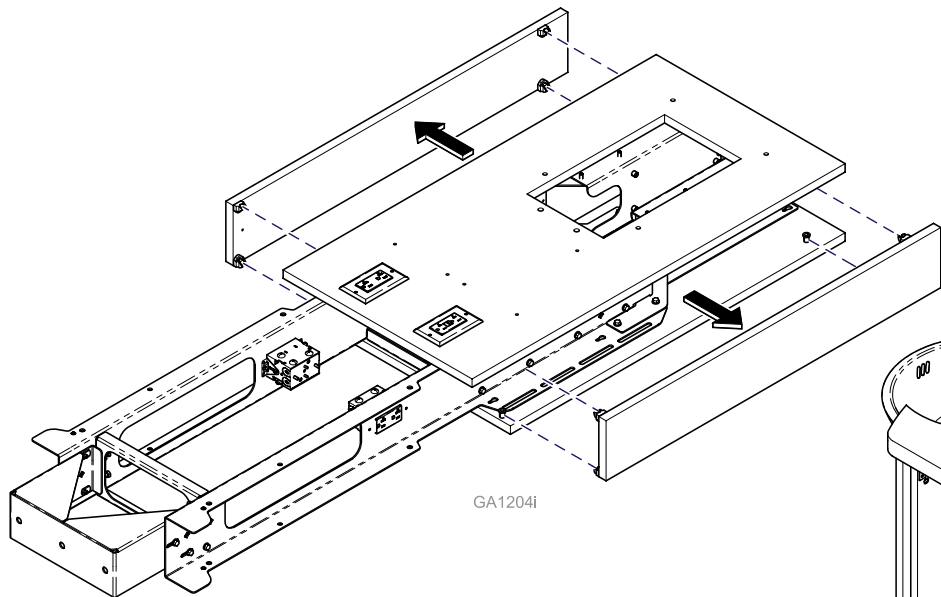


GA1203i

Installation (Artizan® Expressions Central Station)

Step 2: Unpackage Center Column

- A) Remove center column from packaging.
- B) Move module near install location.
- C) Remove column side accents.

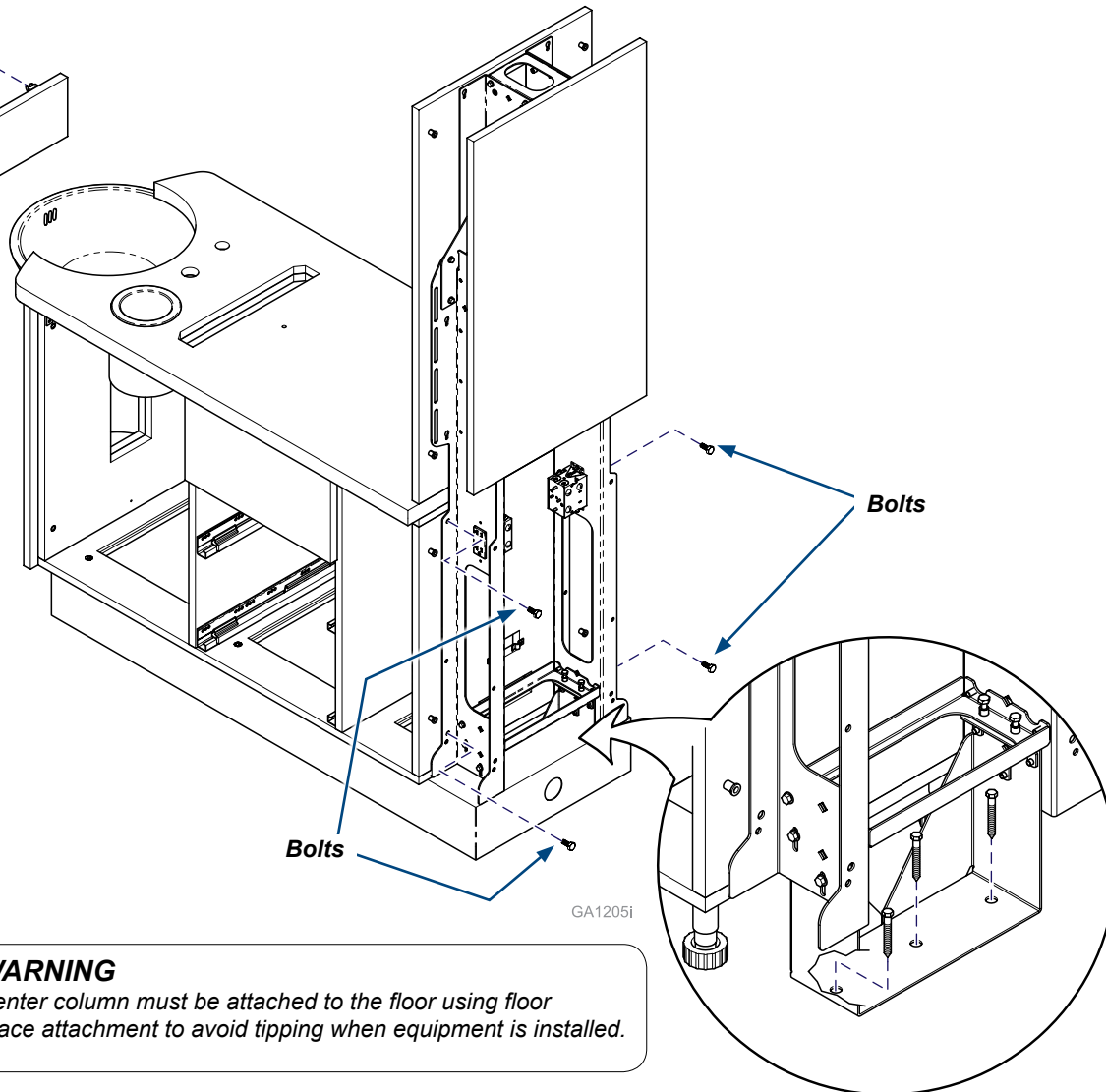


GA1204i

Step 3: Connect Center Column

- A) Set center column so that floor brace rests on floor.
- B) Connect center column to sink base with (4) 1/4-20 x 5/8" LG hex bolts.
- C) Secure floor brace to floor using lag screws for composite floors or supplied concrete anchors for concrete floors.

Note: To make installation easier and to prevent damage to area surrounding screw holes in floor, drill pilot holes. Use a 3/8" masonry drill bit for concrete and a 9/32" wood drill bit for composite flooring.



Bolts

Bolts

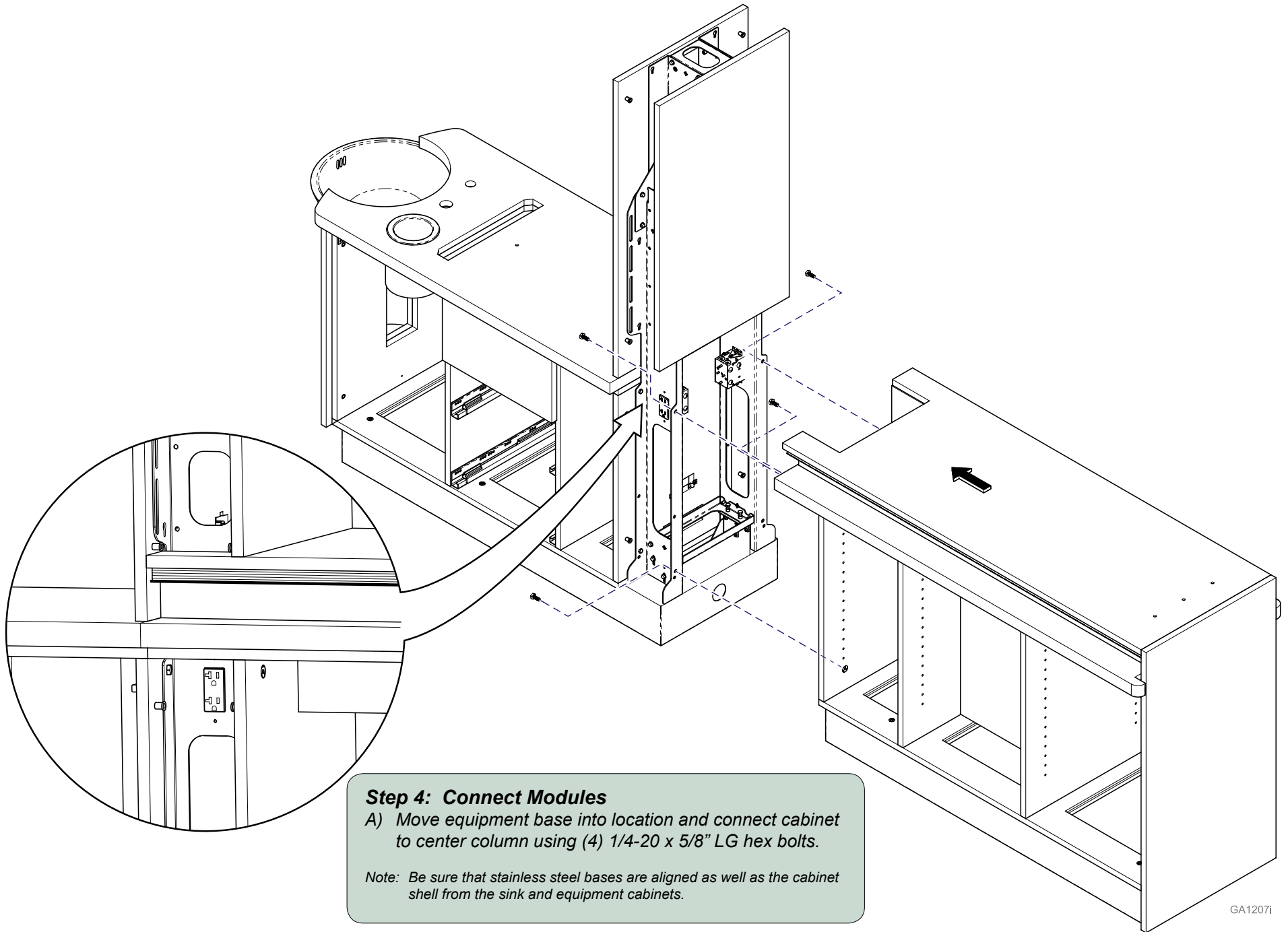
GA1205i



WARNING

Center column must be attached to the floor using floor brace attachment to avoid tipping when equipment is installed.

Installation (Artizan® Expressions Central Station)

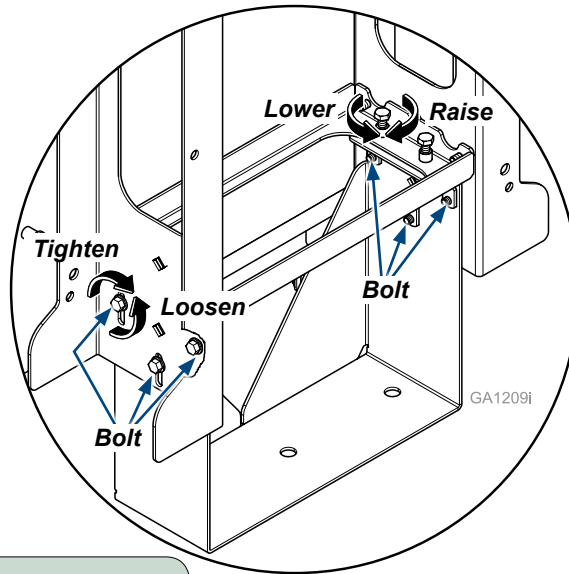


GA1207I

Installation (Artizan® Expressions Central Station)

Step 5: Adjustable Center Column

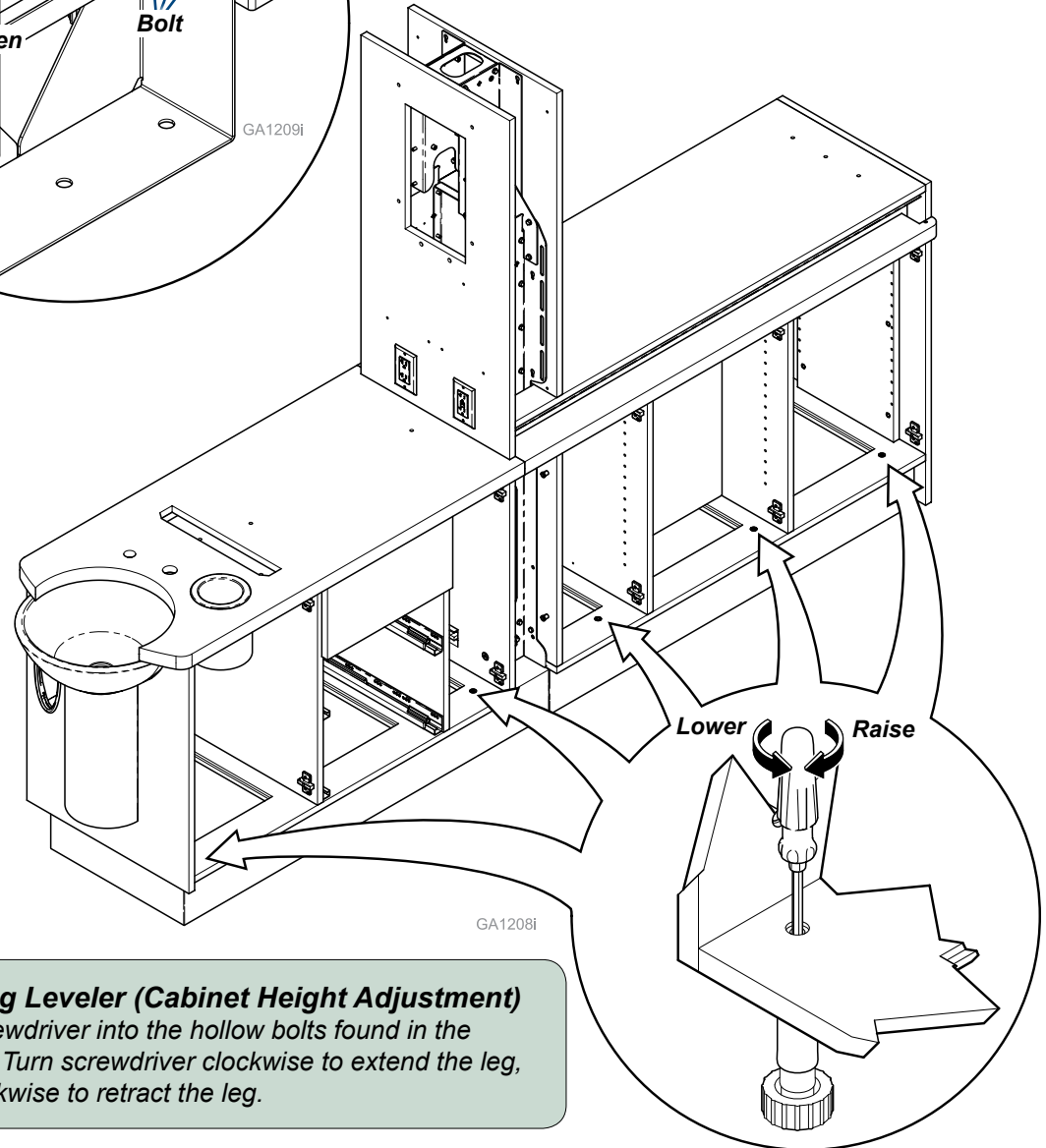
- A) Loosen the six hex bolts (three per side) at the bottom of the center column.
- B) Adjust the height of the center column by tightening or loosening the four hex bolts as needed.
- C) Retighten the six hex bolts that were originally loosened to set adjustment.



Step 6: Securing the cabinet

- A) Using a level as necessary, unscrew the leg levelers on the equipment end using a screwdriver through the hollow leg bolt in the bottom of the sink and equipment cabinets (refer to: Adjustable Camar Leg Leveler) or by hand through the false bottom cutouts to level the cabinets until cabinet aligns with the sink end wall.
- B) Level entire cabinet by adjusting the leg levelers. (12 total) (refer to: Adjustable Camar Leg Leveler).
- C) Use the lag screws (if floor is made of composites) and base clips that were used to secure the cabinet to the shipping pallet and secure the cabinet to floor of the building. If the floor is concrete, then utilize supplied floor anchors.

Note: To make installation easier and to prevent damage to area surrounding screw hole in floor, drill pilot holes. Use a 3/8" masonry drill bit for concrete and a 9/32" wood drill bit for composite flooring.



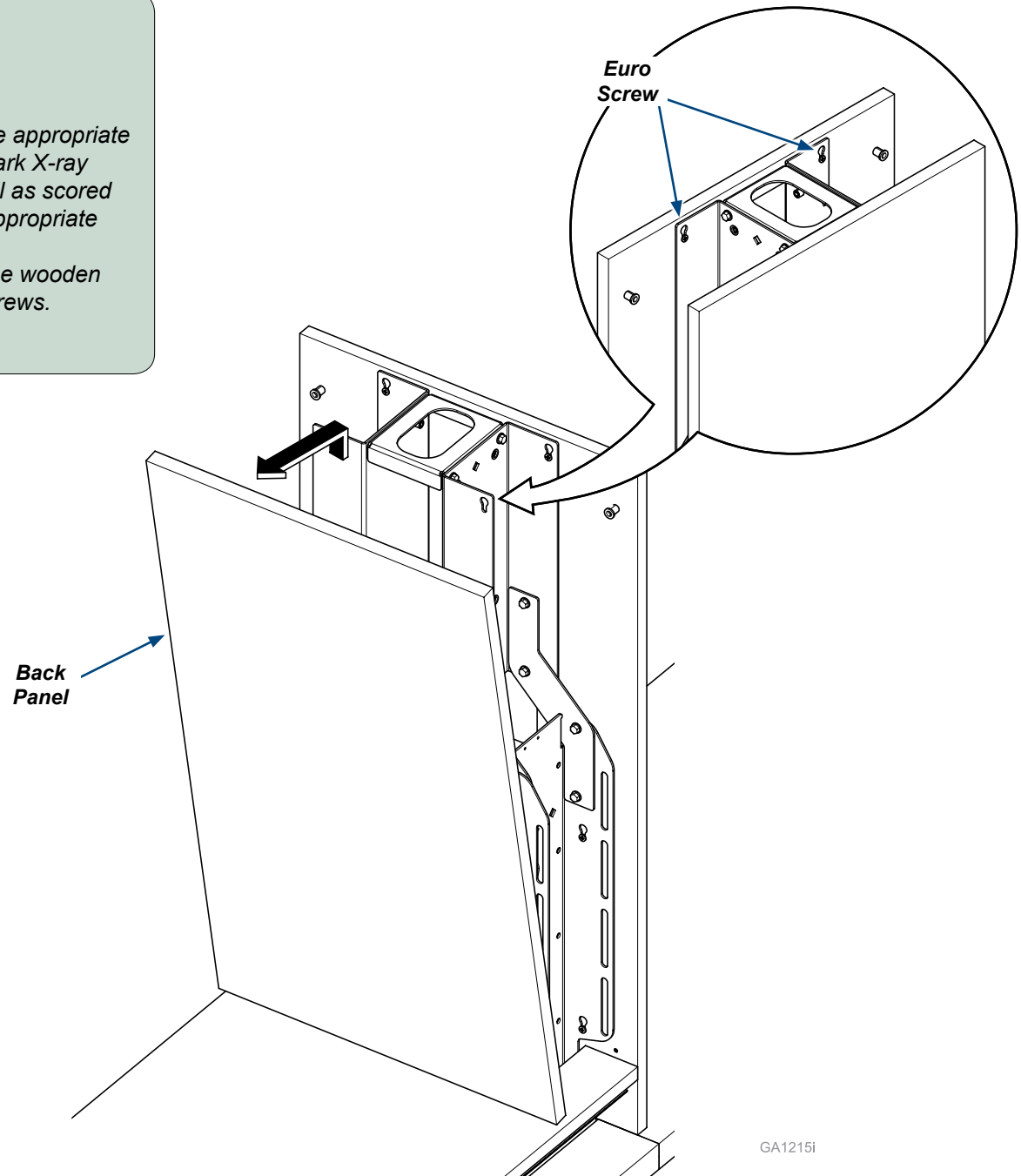
Adjustable Camar Leg Leveler (Cabinet Height Adjustment)

- A) Insert a flat head screwdriver into the hollow bolts found in the bottom of a cabinet. Turn screwdriver clockwise to extend the leg, and turn counterclockwise to retract the leg.

Installation (Artizan® Expressions Central Station)

Step 7: X-Ray Installation (if applicable)

- A) Loosen euro screws on equipment side panel of column.
(x8 for 90" units, x6 for 72" units)
- B) Lift back panel up and away from column.
- C) Prepare both the wooden panel and steel structure for the appropriate mounting specified by the X-ray manufacturer. For Midmark X-ray mounting, holes are supplied in the steel structure as well as scored in the wooden panel. Reference mounting template for appropriate holes that need to be completely cut out.
- D) After preparations have been made in the structure and the wooden panel, reinstall wooden back panel and retighten euro screws.
- E) Once panel is secured, mount X-ray base to structure.

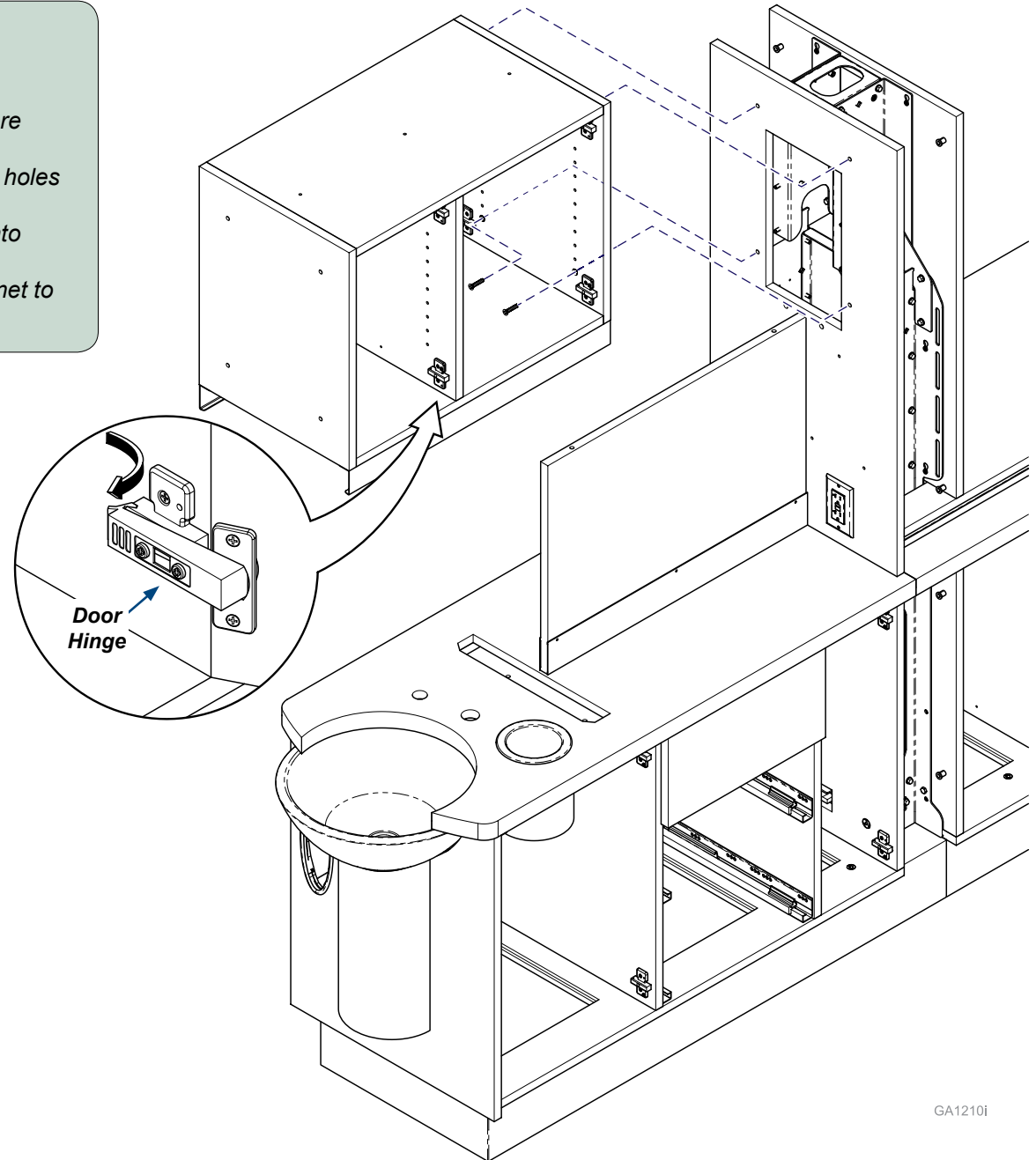


GA1215I

Installation (Artizan® Expressions Central Station)

Step 8: Upper Module Install

- A) Remove upper cabinet from box.
- B) Remove cabinet doors and shelves.
(refer to: Door Removal, Installation, and Adjustment for more detailed instructions in this manual).
- C) Set privacy panel onto countertop. Insert dowels into mating holes in countertop.
- D) Set upper cabinet on top of privacy panel inserting dowels into bottom side of upper.
- E) Use four 1/4-20 x 1.25 machine screws to attach upper cabinet to center column.

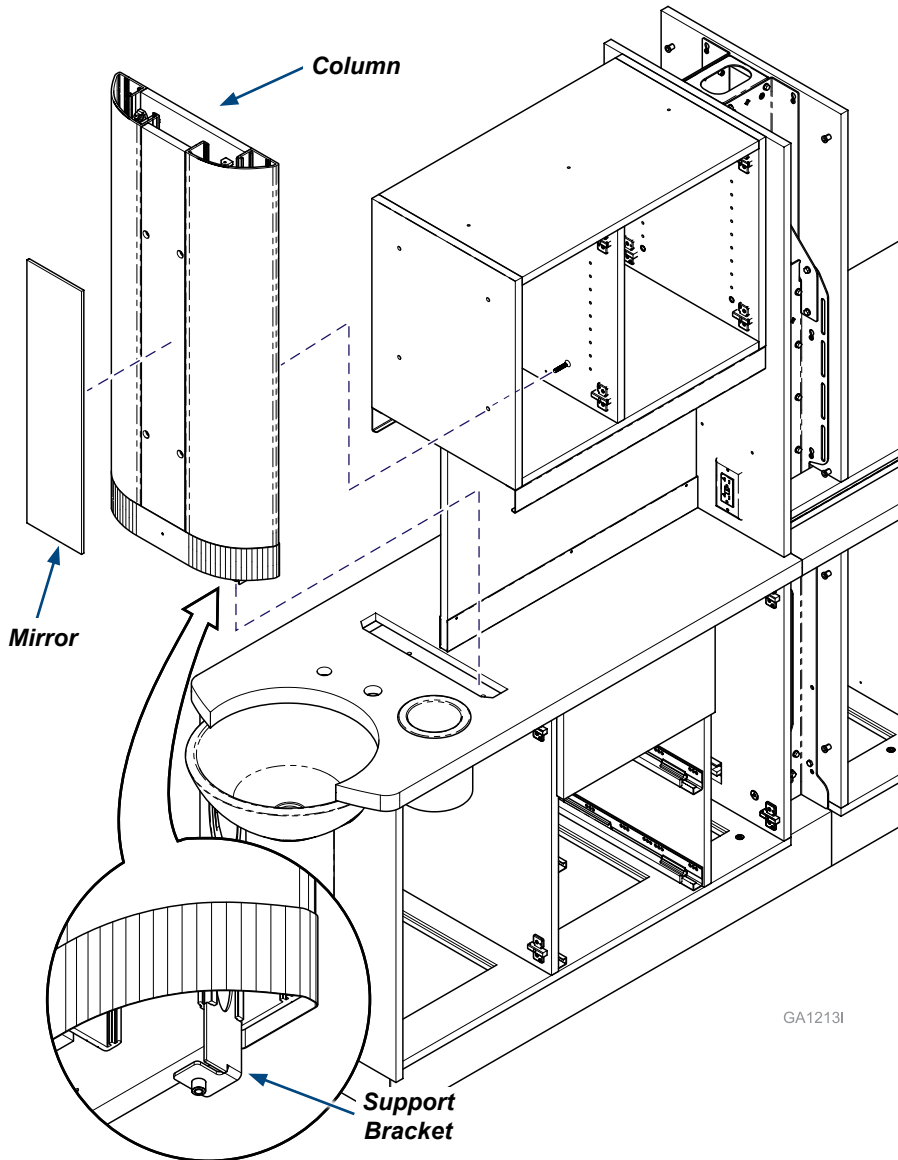


GA1210i

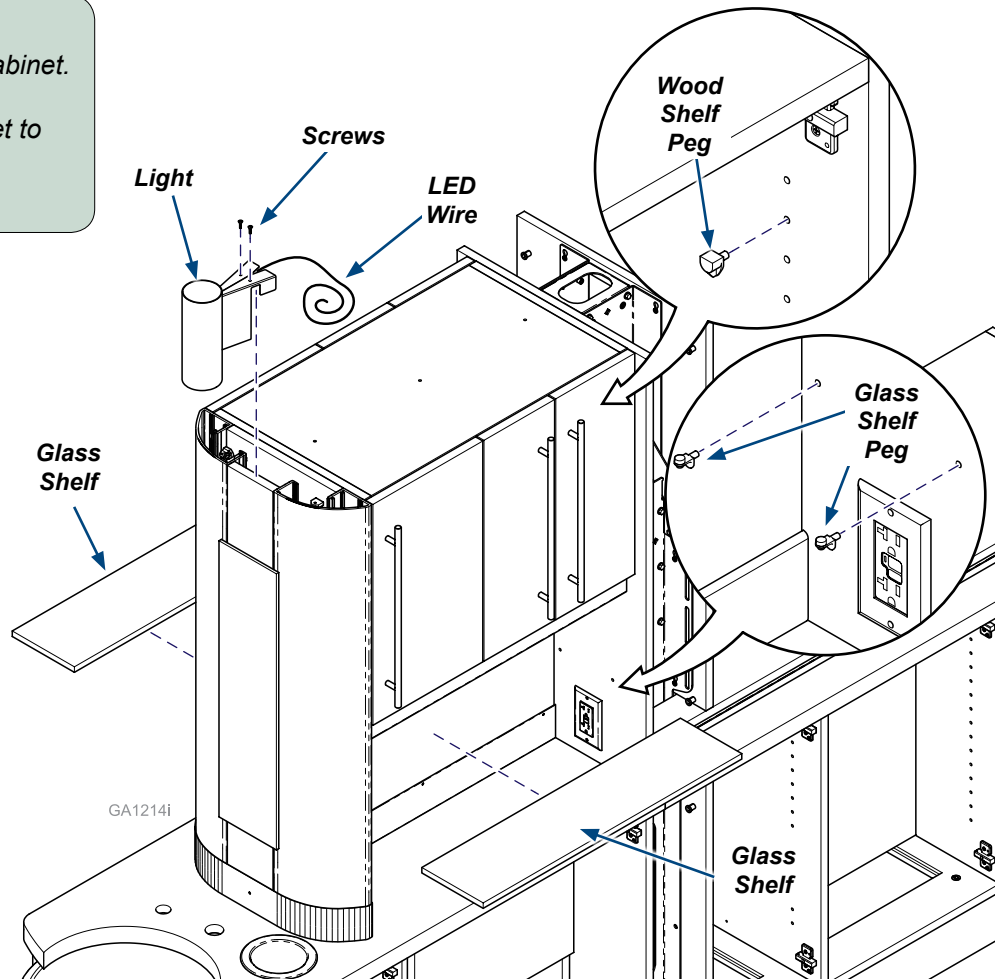
Installation (Artizan® Expressions Central Station)

Step 9: Column Install

- Place column support bracket locator pins into mating holes in top of the sink cabinet.
- Attach column to upper cabinet using four 1/4-20 x 1.25" machine screws.
- Use remaining (2) 1/4-20 x 1.25" machine screws to bolt column support bracket to the sink base cabinet from inside the sink module.
- Attach mirror to front of column using supplied fasteners.



GA1213I



Step 10: Doors, Shelves and Lights

- Install Upper shelves using wood shelf pegs.
- Reinstall upper doors (refer to: Door Removal and Installation).
- Install glass midsection shelves using glass shelf pegs.
- Install light on top of column by hooking light bracket over panel. Use screws included to secure light to panel.



Equipment Alert

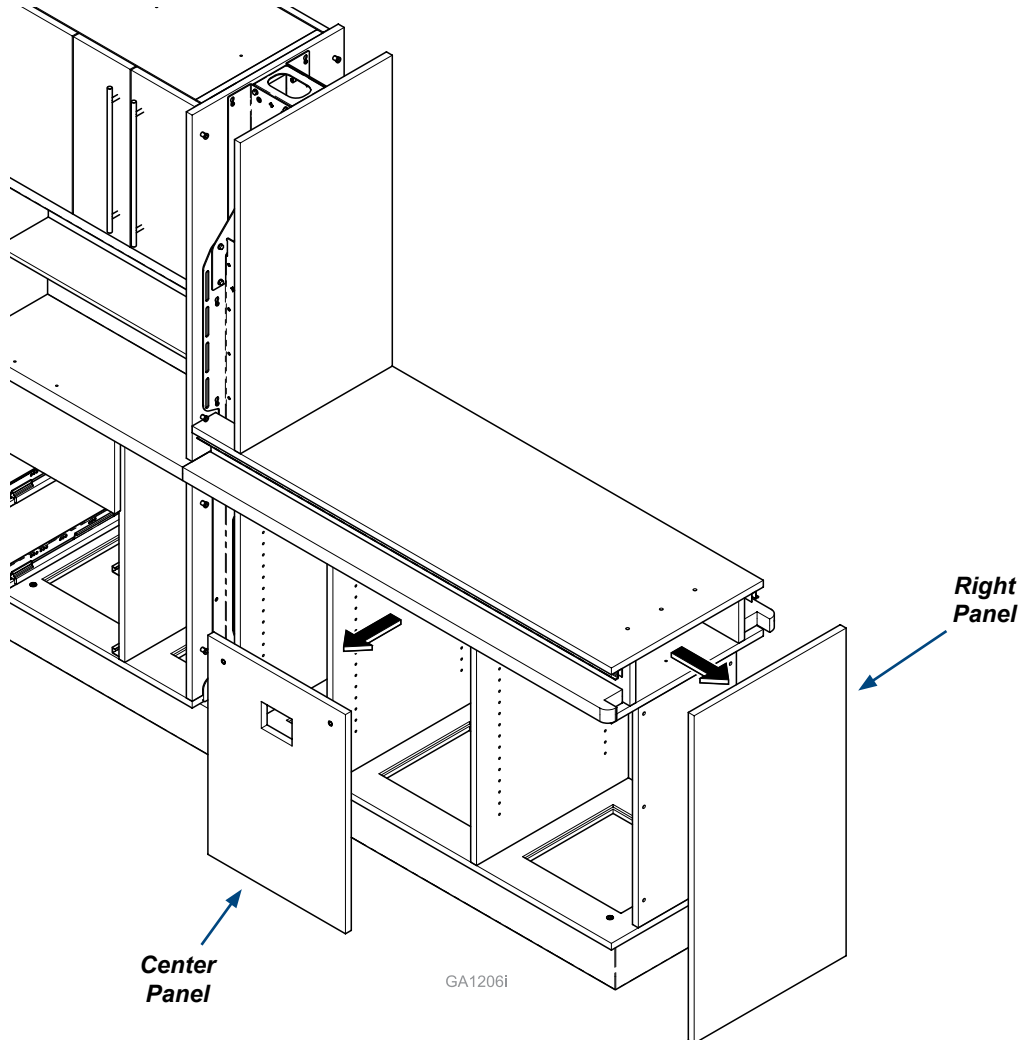
Ensure that LED wiring does not get pinched between light bracket and column panel.

Installation (Artizan® Expressions Central Station)

Step 11: Removing Shipping Panels

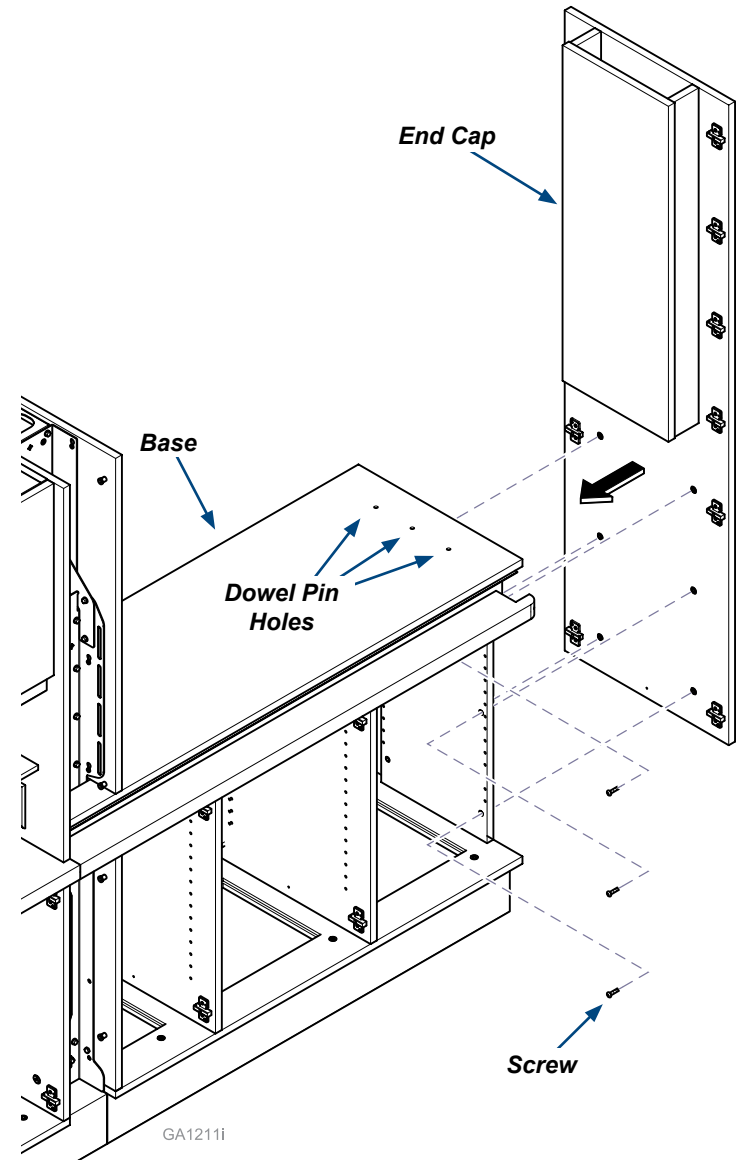
A) Remove right and center shipping panels from equipment base and keep screws that are removed.

Note: Be sure to not dispose of fasteners used to attach right shipping panels.



Step 12: Equipment End Cap

- A) Install equipment end cap onto top of equipment base by aligning dowels in end cap into holes in equipment base.
- B) Using screws from shipping end panel install lower portion of end cap to equipment base with six 1/4-20 x 1.25" screws.

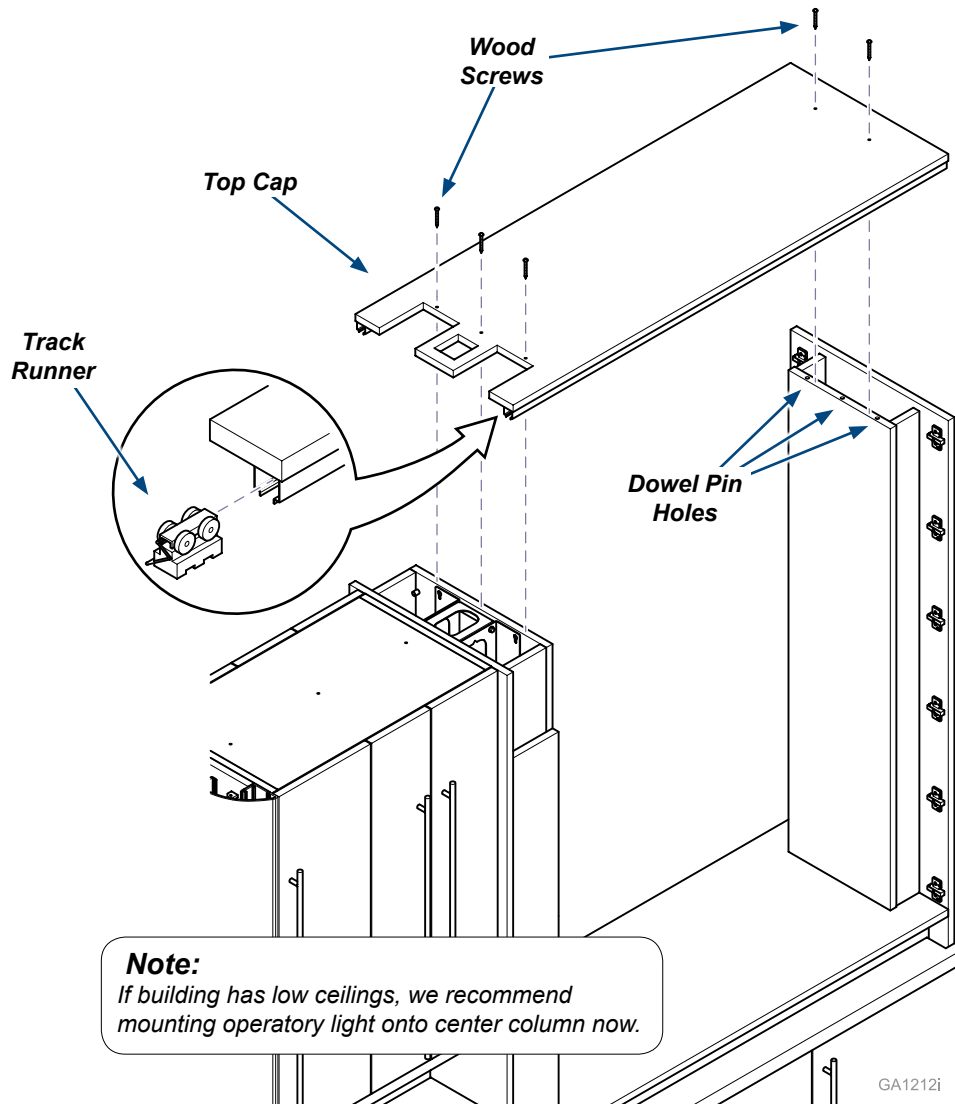


Installation (Artizan® Expressions Central Station)

Step 13: Top Cap Installation (90" Unit Only)

- Retrieve track runner from the X-ray door top carriage hinge assembly and insert runner into profile with hinge release levers towards inside of cabinet.
- Align dowels in end cap panel with holes in top cap.
- Align dowels in central column panel with holes in top cap.
- Fasten top cap to panels using supplied #6 x 1.625" wood screws.
- Re-install center column accent panels.

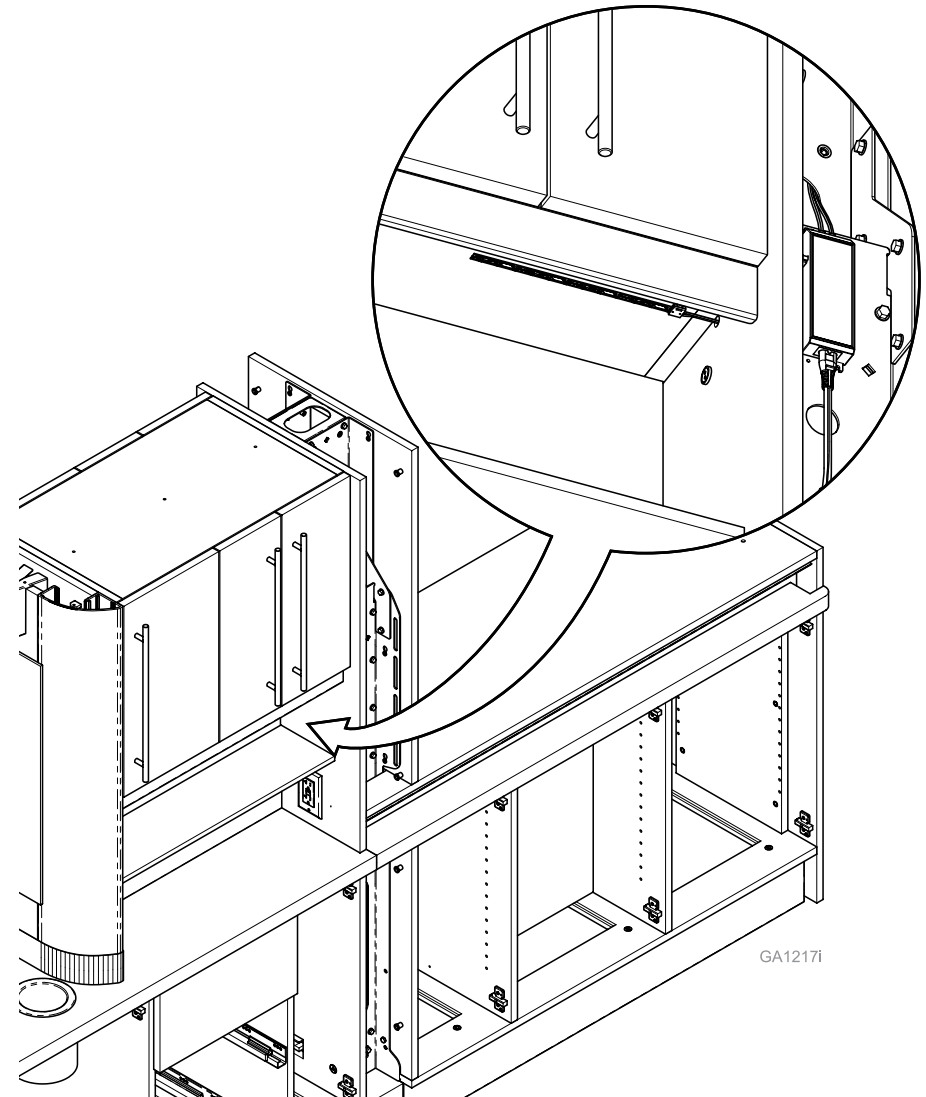
Note: Only the 90" Units require a top cap. Install track runner prior to installation of top cap.



Step 14: LED Wiring Connections

- Route LED wiring from LED strip under tray cabinet into central column and connect to LED power supply.
- Route LED wiring from LED light on front panel of Central to LED power supply.

Note: If product is receiving a top trim complete step B only after top trim assembly is installed.



GA1217i

GA1212i

Installation (Artizan® Expressions Central Station)

Note:

Before installing the bi-fold doors, ensure that the 180° Hinge D screws are tight and the doors have no gap between them (refer to Door Removal, Installation and Adjustment page in this manual for more information).

Step 15: Bi-fold Door Installation (72" Unit Only)

- A) Unfold door and adjust hinge extended fully in the A and C directions (Refer to Door Removal, Installation and Adjustment in this manual).
- B) With one person supporting the bi-fold door, the other will need to align hinges and install onto cabinet end cap as noted in the door installation section.

Step 16: Track Runner Hinge Installation (72" Unit Only)

- A) Disengage track runner hinge.
- B) Locate track runner hinge roller assembly onto aluminum track pre-installed on the cabinet.
- C) Re-engage track runner hinge to secure door into place.

Note: Installing the track runner hinge may require the removal of the countertops in this area of the cabinet due to interference of the engagement mechanism and the countertop.

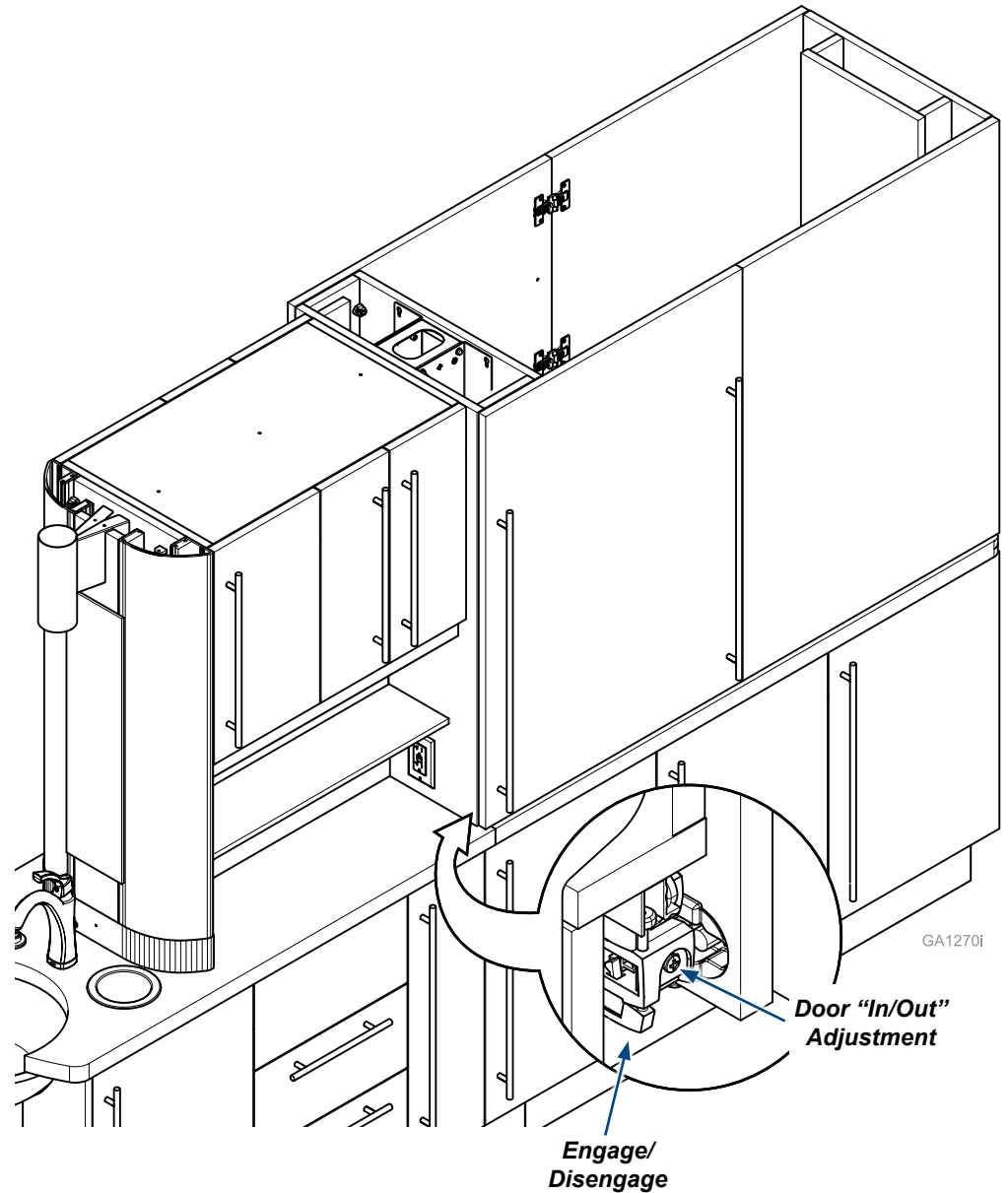
Step 17: Door Adjustment (72" Unit Only)

- A) Adjust door using the hinges on the end cap and hinge roller assembly as needed.



Caution

Bi-fold door assemblies are significant in weight. This step requires two people for safe installation.



GA1270i

Door "In/Out"
Adjustment

Engage/
Disengage

Installation (Artizan® Expressions Central Station)



Caution

Bi-fold door assemblies are significant in weight.
This step requires two people for safe installation.

Note:

Before installing the bi-fold doors, ensure that the 180° Hinge D screws are tight and the doors have no gap between them (refer to Door Removal, Installation and Adjustment page in this manual for more information).

Step 15: Bi-fold Door Installation (90" Unit Only)

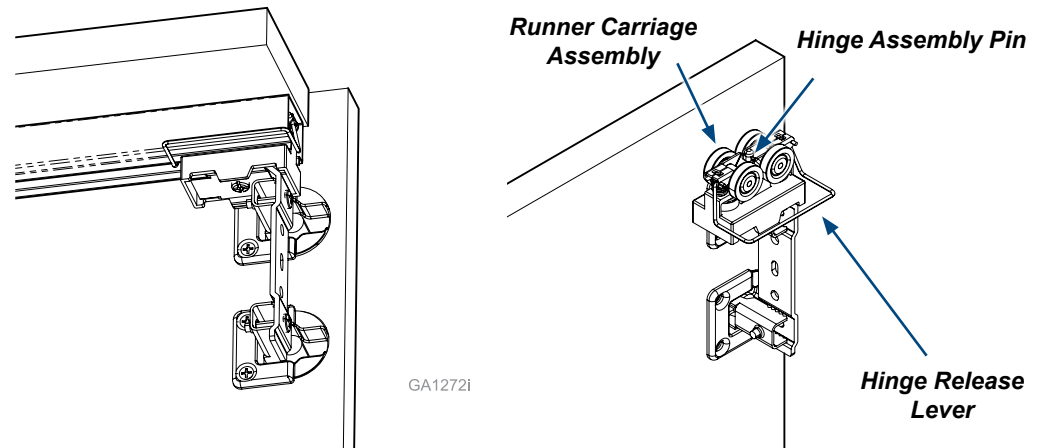
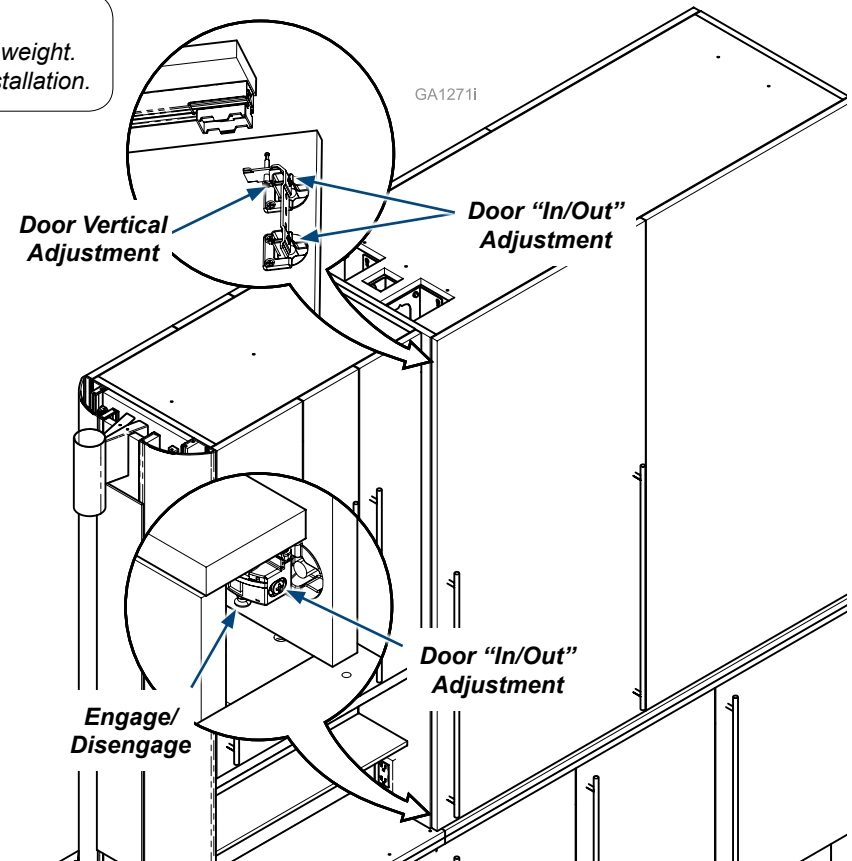
- Unfold door and adjust hinge extended fully in the A and C directions (Refer to Door Removal, Installation and Adjustment in this manual).
- With one person supporting the bi-fold door, the other will need to align hinges and install onto cabinet end cap as noted in the door installation section.

Step 16: Track Runner Hinge Installation (90" Unit Only)

- With the bi-fold doors installed onto the end cap disengage guide roller assembly hinge.
- Unscrew the top carriage hinge assembly pin nearly all the way.
- Locate door into position so that the top carriage hinge assembly is located inside the carriage assembly.
- Tighten carriage hinge assembly pin about 3/16" from being tight.
- Lift up on door until an audible "click" is heard.

Step 17: Door Adjustment (90" Unit Only)

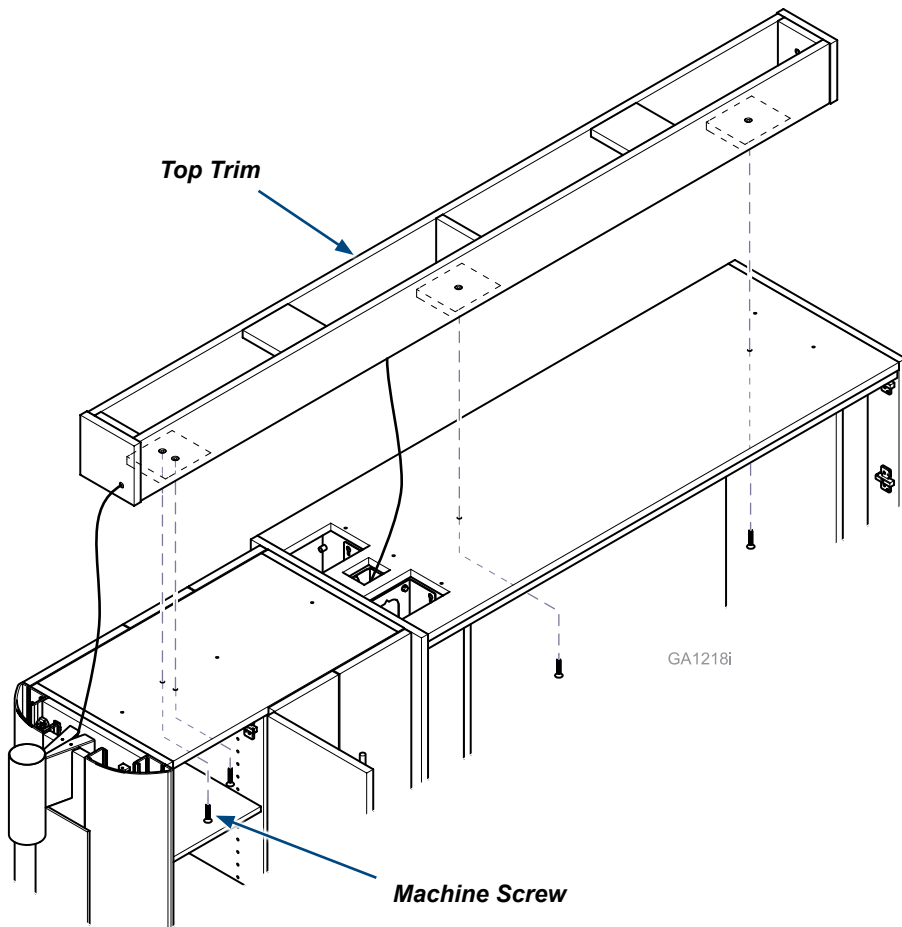
- With the top carriage hinge assembly supporting the door, flip the guide roller hinge assembly into position against the guide rail pre-installed on the cabinet.
- Re-engage the guide roller hinge assembly to secure door into position.
- Adjust door using the top hinge assembly pin in conjunction with the standard hinges on the end cap as needed.



Installation (Artizan® Expressions Central Station)

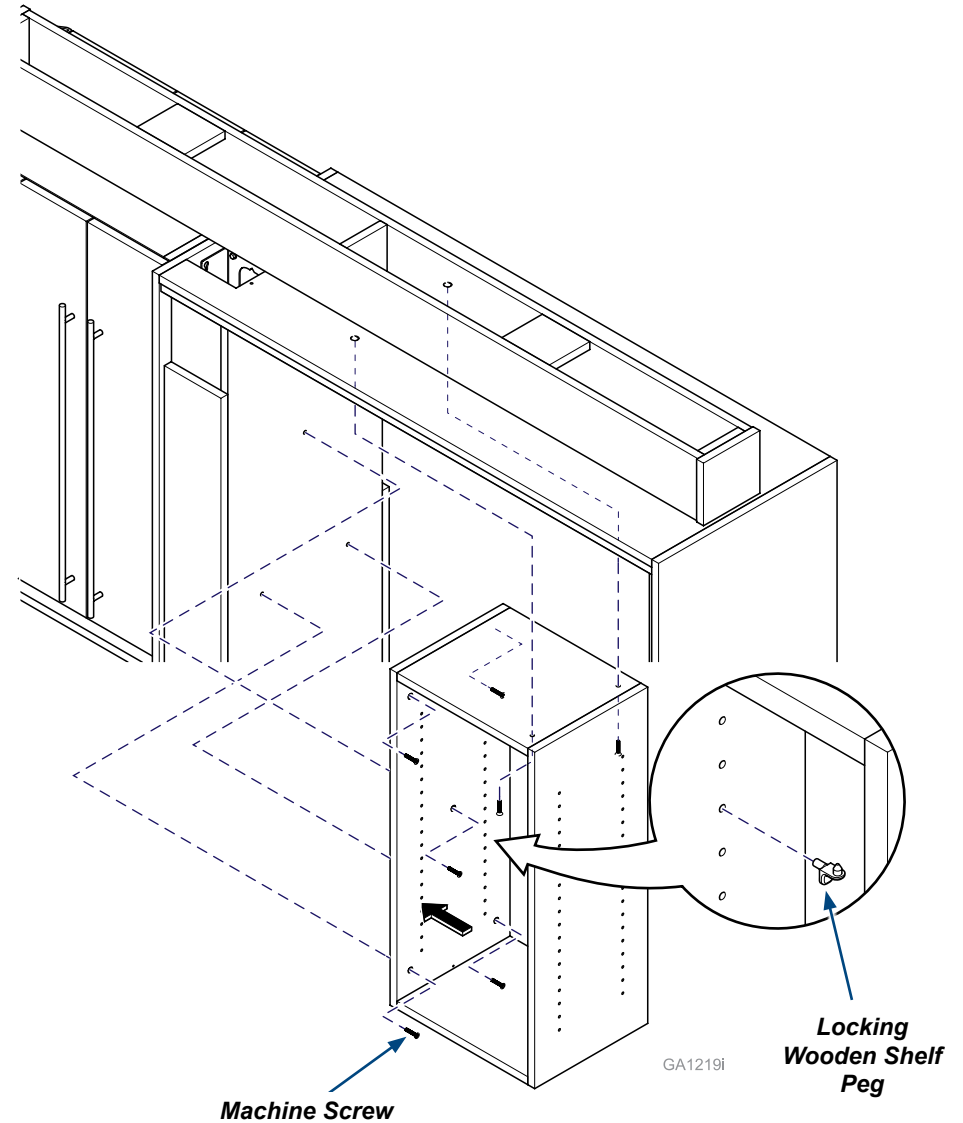
Step 18: Top Trim Installation (Optional)

- A) Place top trim in position on top of cabinets.
- B) Route LED light wire from front light through hole in the front of the top trim and down into the center column to the LED power supply.
- C) Secure top trim with four 1/4-20 x 1.25" machine screws.

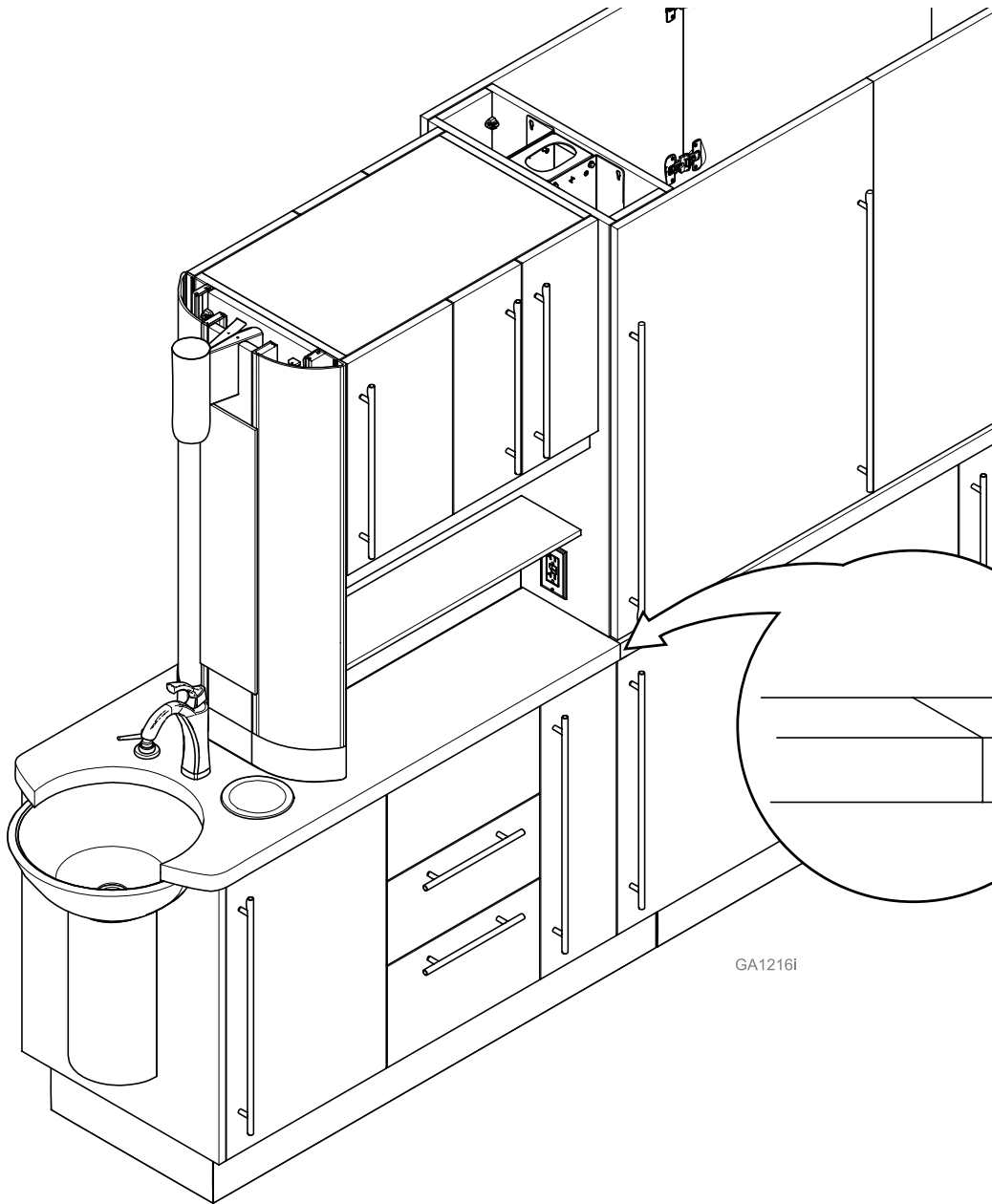


Step 19: Suspended Shelf Installation (Optional)

- A) Position shelf insert into equipment end upper cabinet.
- B) Secure suspended shelf with seven 1/4-20 x 1.25" machine screws.
- C) Install shelves with locking wooden shelf pegs.



Installation (Artizan® Expressions Central Station)



Step 20: Equipment End Countertop Installation / Adjustment

For Quartz Countertops:

Remove equipment end tops from packaging and secure into place using clear adhesive silicone as needed.

For solid surface and laminate tops:

Countertops are secured and shipped in place from Midmark. Some adjustments may be required to ensure countertops meet appropriately. If adjustment is needed, unscrew countertops, reposition and reinstall.

Step 21: Doors and Drawers

- A) Reinstall cabinet shelves.
- B) Reinstall cabinet drawers and make adjustments as needed.
(refer to: Drawer Removal, Installation, and Adjustment in this manual)
- C) Reinstall cabinet doors and make adjustments as needed.
(refer to: Door Removal, Installation, and Adjustment in this manual)

Electrical Connections (Artizan® Expressions Central Station)



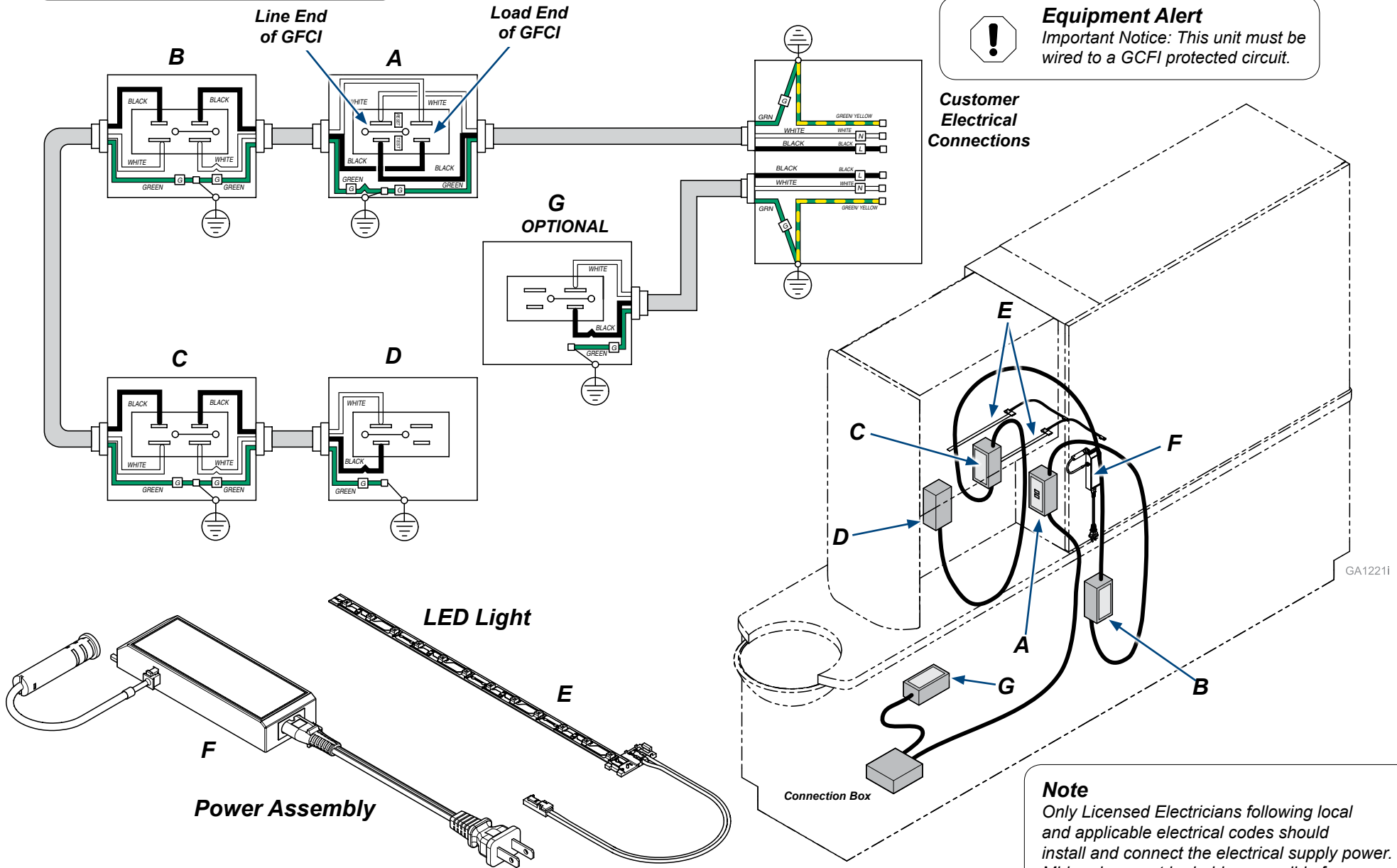
Equipment Alert

Dedicated branch circuit rated at 120VAC, 50/60 Hz, 20 amp.



Equipment Alert

Important Notice: This unit must be wired to a GFCI protected circuit.



Note

Only Licensed Electricians following local and applicable electrical codes should install and connect the electrical supply power. Midmark cannot be held responsible for installations that do not conform to local codes.

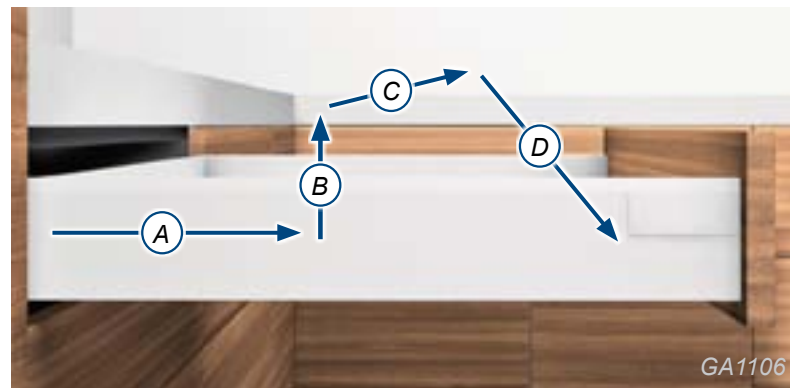
GA12211

TP201 Rev. A

Drawer Removal, Installation and Adjustment

Drawer Removal

- A) Open drawer completely.
- B) Lift up on the drawer front until the front of the box releases from the glide.
- C) Pull out on the drawer slightly.
- D) Lower the drawer back down while pulling out on the drawer.



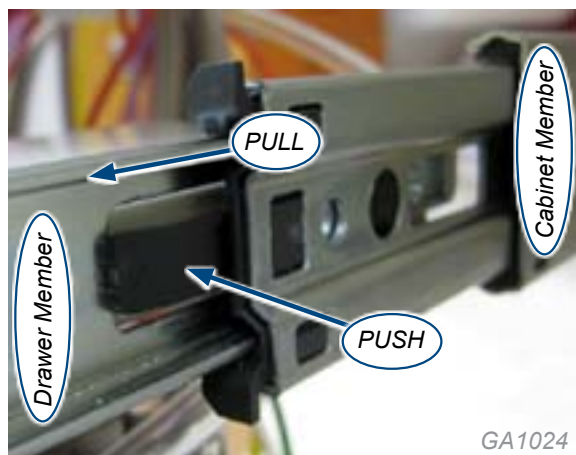
Drawer Installation

- A) Fully extend drawer glides from the cabinet. (Optional)
- B) Place the drawer on the glides.
- C) Push the drawer in completely.
- D) Cycle drawer a couple times to ensure that the drawer is securely attached to the glides.

Full Extension Glide Removal & Installation...

Removal

- A) Extend the glide to its outermost position. Push the release levers in and remove the drawer member of the sides.



Installation

- A) Line up the drawer member to the cabinet member and push the drawer into its compartment.



Drawer Front Adjustment and Removal

- 1) Remove the cover caps on the drawer side by hand.
- 2) Height Adjustment: Rotate in either direction to adjust the drawer front vertically.
- 3) Tilt Adjustment: Adjust after the drawer front is installed to ensure the drawer sides meet square with the drawer front. (Only available on large drawer boxes.)
- 4) Side Adjustment: Adjusts the drawer front horizontally. Turn in either direction.
- 5) Tension/Removal: For large drawers, turn the screw toward the front of the drawer until the front detaches from the box. Repeat this procedure on both sides of the drawer. For small and medium drawer boxes, turn the screw toward the back of the drawer to remove the front.

Door Removal, Installation, and Adjustment

Hinge 1 & 2 Adjustments

Use a phillips head screw driver for the following steps...

- Screw A adjusts the door in direction A seen in the Adjustment Direction Guide
- Screw B adjusts the door in direction B. Equal adjustment must be made to all hinges on the door for it to move the desired distance.
- Screw C adjusts the door in the C direction. Make adjustments to top and bottom hinge as necessary.

Note: Use a level to ensure the door is level and plumb. Preferred gaps are approximately 1/8" between doors and 1/16" between accents and doors.

Hinge 1 & 2 Removal

- Press button at point E at the back of the hinge and pull away from cabinet.

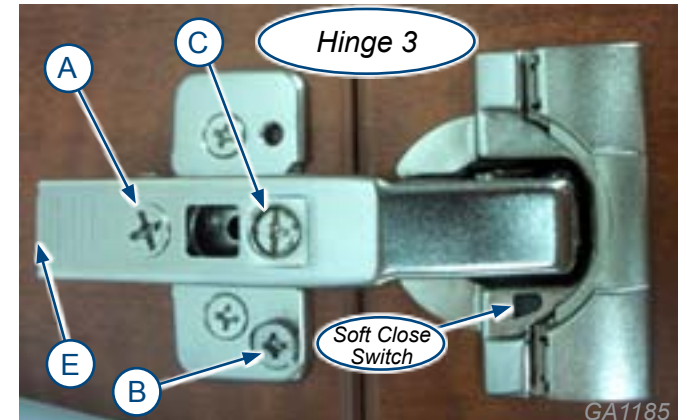
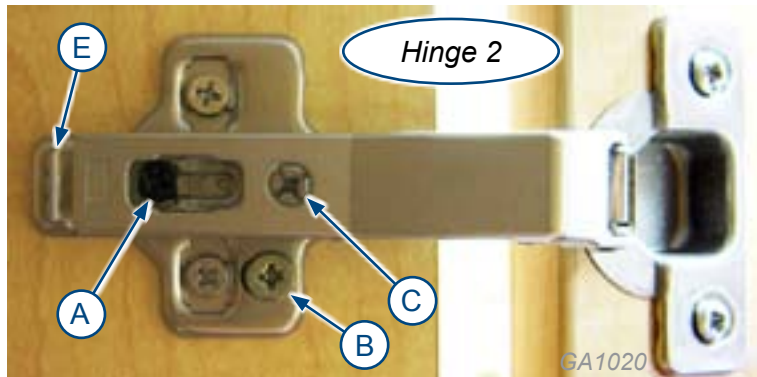
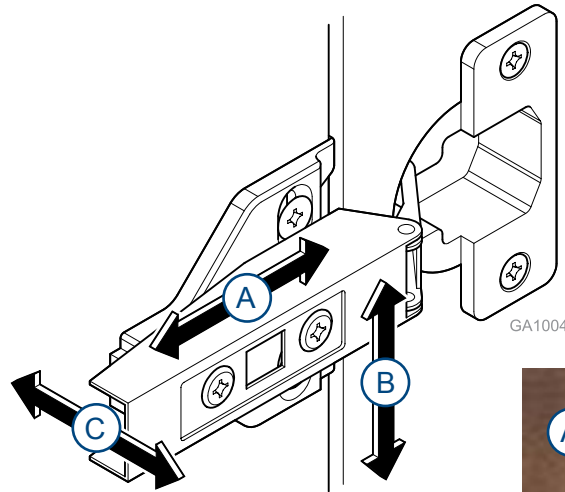
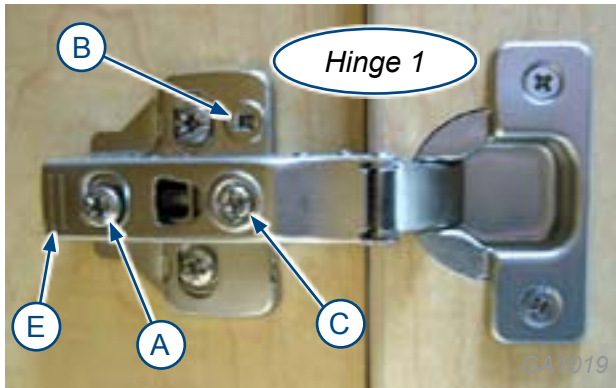
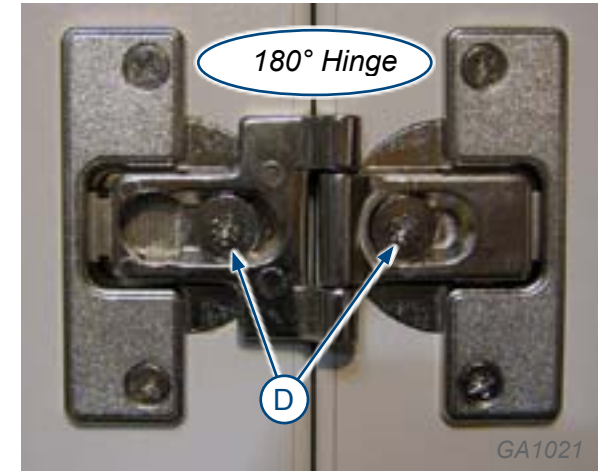
Hinge 1, 2, & 3 Installation

- Hook the hinge to the mounting block at point F
- Latch at point G by pressing the hinge against the hinge block.



180° Hinge Adjustments

- Loosen screw D and adjust door gap and angle using a level. Tighten screw D when positioned correctly,



Cleaning / Maintenance (Artizan® Expressions Central Station)

Disinfecting Procedures for External Surfaces

Attention!

Midmark assumes no responsibility or liability for any result, expressed or implied. These are suggested practices, based on the best information available at this time.



Equipment Alert

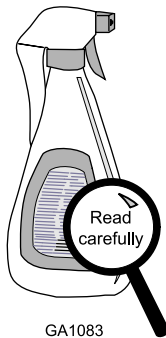
- Users should not use cleaning or decontamination methods different from those recommended by the manufacturer without first checking with the manufacturer that the proposed methods will not damage the equipment.
- Midmark's dental equipment is manufactured from the most chemical-resistant materials available. However, no material is impervious to every chemical. Using protective barriers is the most effective method to prevent equipment damage.
- Use only moist cloth with appropriate cleaner for cleaning casework.

Cleaning and Disinfectant Procedures

Use cleaners and disinfectants that are appropriate for the situation such as warm water and mild detergents, or an ammonia based cleaner.

NOTE: Every dental practice is different, and no single disinfectant is the best choice for every facility. Listed below are some organizations to assist you in choosing the best disinfectants available for your practice.

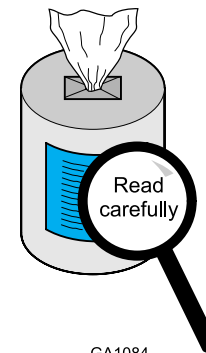
- Organization for Safety & Asepsis Procedures: <http://www.osap.org>
- American Dental Association: <http://www.ada.org>
- Dept. of Health & Human Resources Centers for Disease Control & Prevention (CDC): <http://www.cdc.gov>



GA1083

When using disinfectants...

Carefully read the product label and directions for use.
Do not exceed the dilution rate.



GA1084

Read all labels carefully!

Cleaning and Maintenance (Solid Surface)



Caring for your Solid Surface countertop is as simple as wiping the surface with a damp cloth. If a stain develops, wipe it away with soap and water. Or if you prefer wipe it clean with ammonia based cleaner.

*If a stain doesn't respond to soap and water, for a matte finish, apply an abrasive cleanser and buff with a Scotch-Brite™ pad using a circular motion. The same technique can be used for burns. **If you have a gloss finish, please contact your dealer or fabricator before attempting repairs.***

For minor cuts and scratches, simply sand lightly with a medium (220 grit) sandpaper, then follow with a fine (320 grit) sandpaper. Finally, touch up the finish by buffing with a Scotch-Brite™ pad.



Caution

Do not expose the surface to harsh chemicals, such as paint remover, turpentine, nail polish remover or stove and drain cleaners. If these chemicals come in contact with the surface, immediately wash them off with water, using appropriate safety measures to avoid injury.



Because we care.