



Synthesis® Casework - Treatment Station Setup Instructions

Applies to Models:
Dental TS Casework

Special Tools:
3/8" masonry drill bit
9/32" wood drill bit
Hammer drill

Language of origin: English

Note

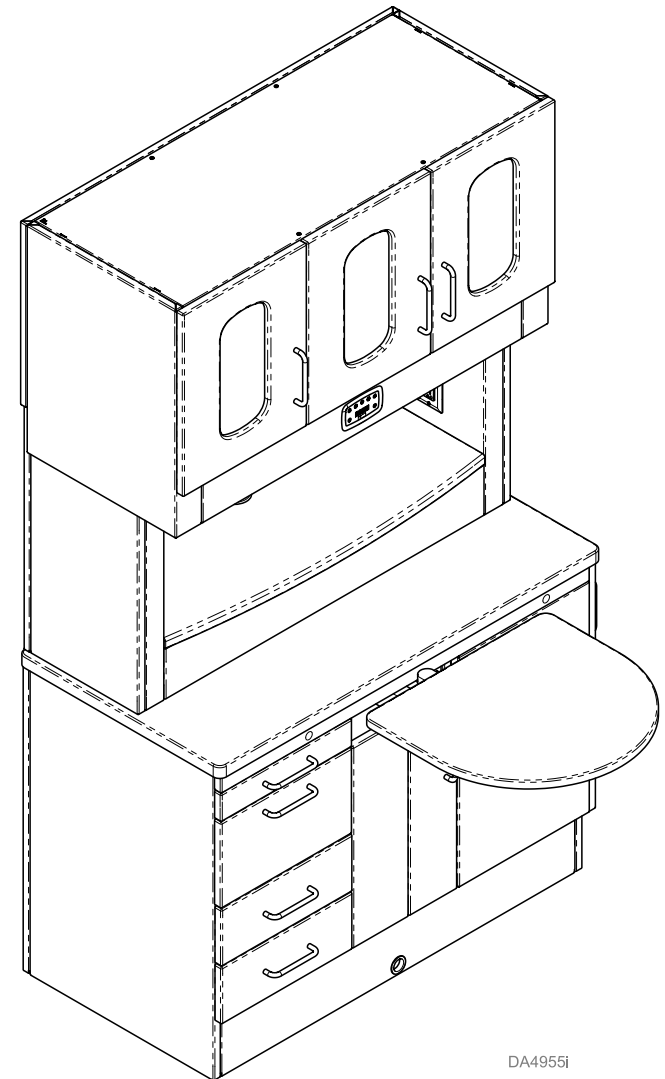
This Midmark casework unit must be connected to a dedicated circuit rated 20 A, 120 VAC. Failure to comply could result in an overload of the electrical circuit and/or components. All electrical and plumbing connections must be made by a licensed electrician and plumbing contractor following applicable local, city, and national codes.

Midmark casework unit contains six electrical duplex outlets, which are rated at a combined 15 amps. This rating must be taken into account when plugging device(s) into the available outlets.

This Midmark casework unit may contain materials with a smoke Index (SDI) of 400.

Note

Inspect all components for shipping damages. A concealed damage report must be filed with the carrier (by the person receiving the goods) within 5 days of delivery.



Model Number

Midmark uses a product part number for the cabinets that has a detailed structure.

Product Information

Treatment Station- TS

Step 1: Configuration

7 TS7- 73" Overall Height

Step 2: B1 Configuration

E (2) 2", 4",8" Drawers

Step 3: B2 Configuration

F Work Surface Door with Procenter Mount & USB Hub

Step 3: B3 Configuration

L Side Storage- (1) Swing-Out Shelf, (1) Swing-Out Tub

Step 4: M1 Configuration

B Full Shelf- 5" Accesory Panel

Step 5: T1/ V1 Configuration- Not available with TS3

M Full Task Light Frame with Track Monitor, and Task Light, and Clock Timer

Step 5: U1/U2 Configuration- Not available with TS3, TS4 or TS5

B Glass Doors (U1)
Back Panel- No Pass Through (U2)
(6) Shelves

Step 6: Panel Style

S Serenity

Step 7: Cabinetry Color

W Woodgrain

Step 8: Locking Options

X None

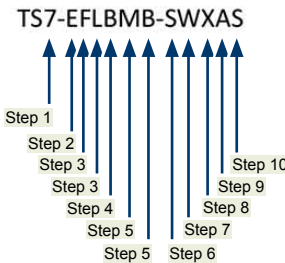
Step 9: Handle Options- Select "None" for Cove and Renew Panels

A Brushed Nickel

Step 10: Top Shelf Material

S Solid Surface

Example



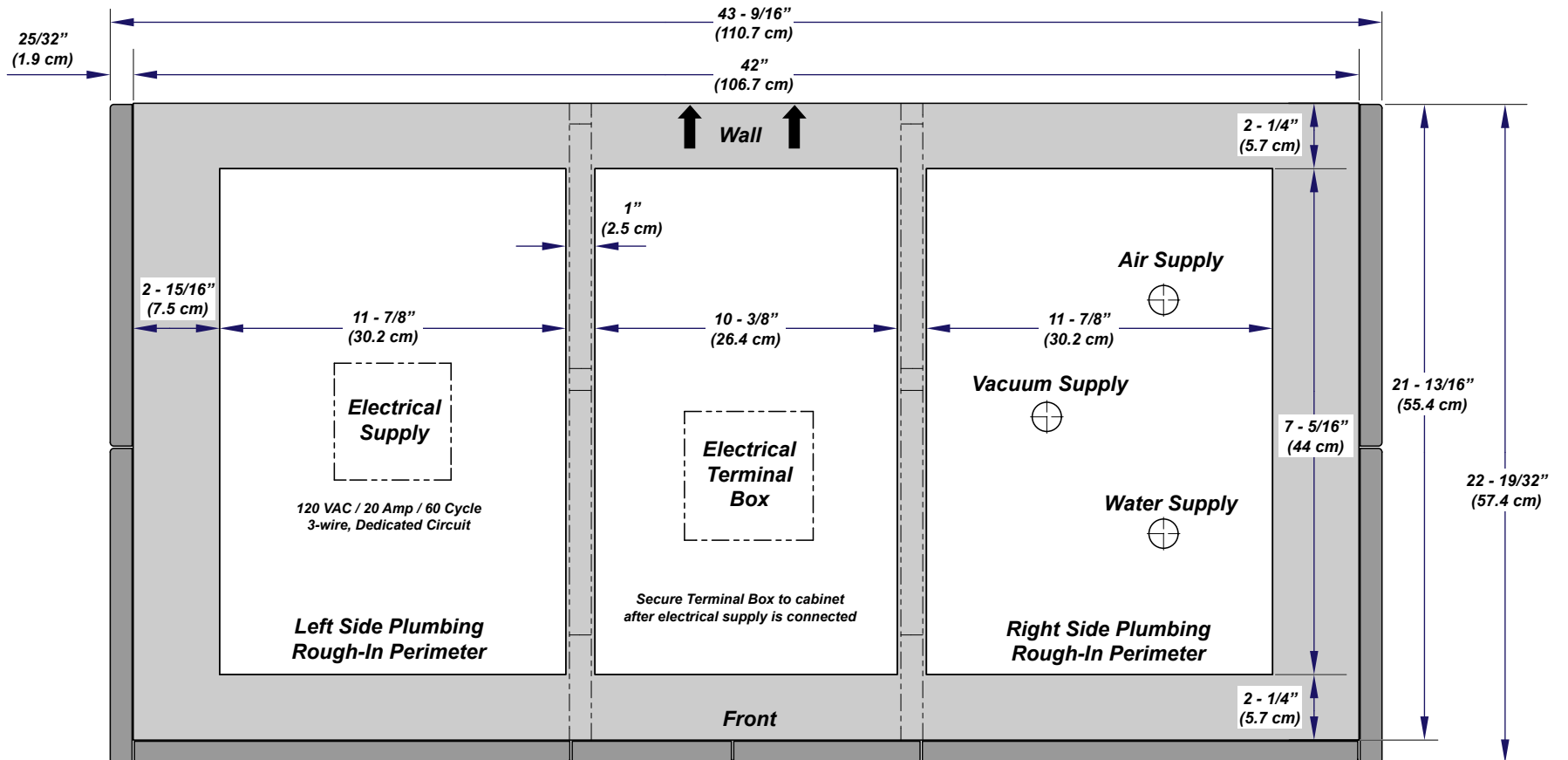
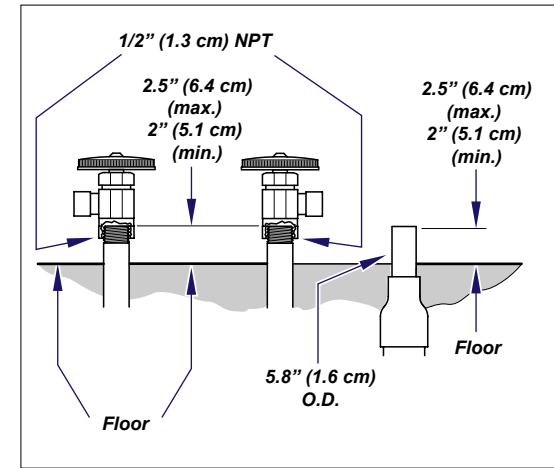
Floor Layout (as applicable)

Have licensed electrical and plumbing contractors position and install electrical outlet receptacles and related plumbing using the pre-installation template or layout.

Note: Be sure floor construction is sufficient to adequately support / anchor the casework unit. If necessary, contact a licensed contractor to reinforce the floor.

Note

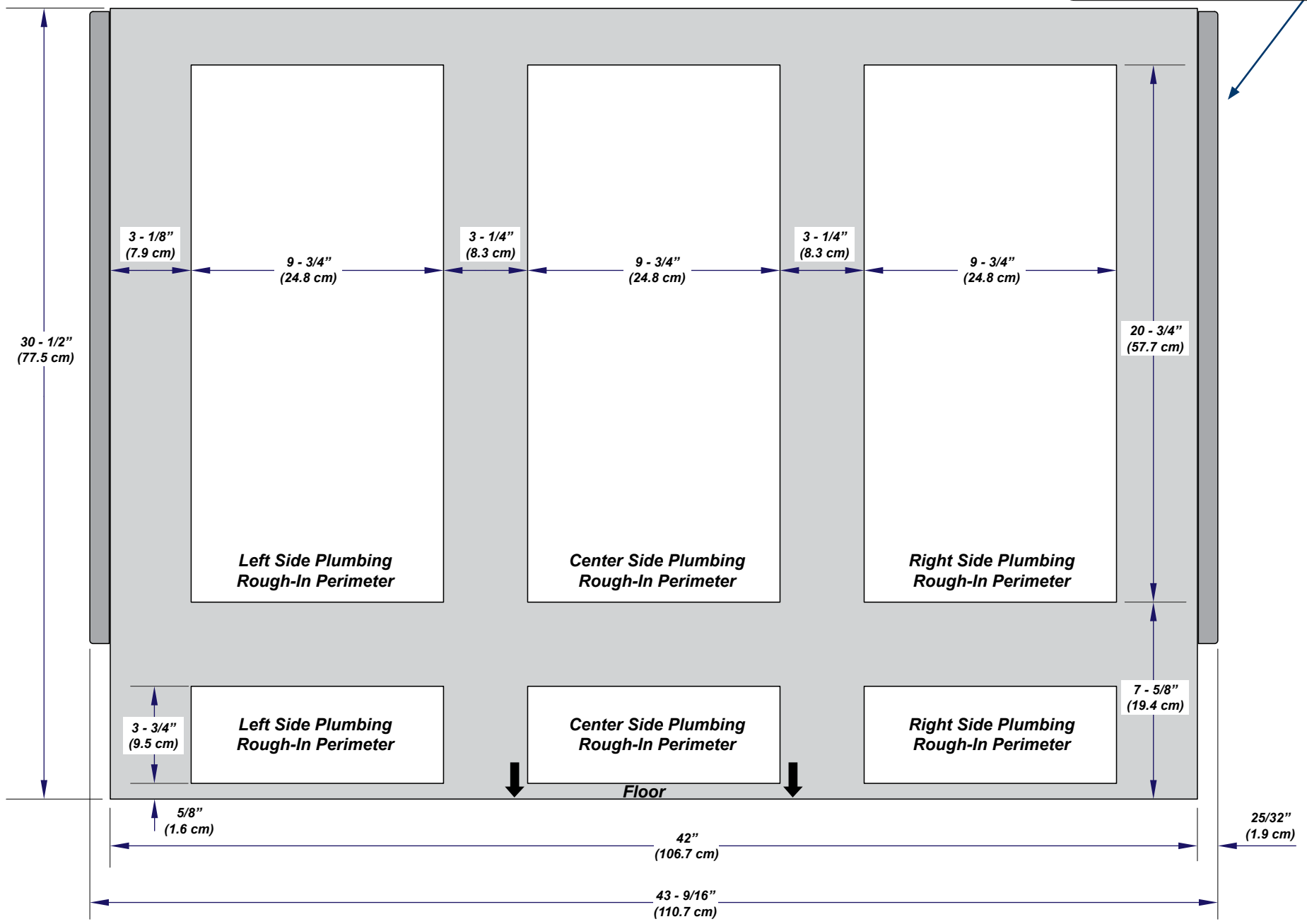
Full size Floor Template and Wall Template are available upon request, or refer to rough-in dimensions on next page.



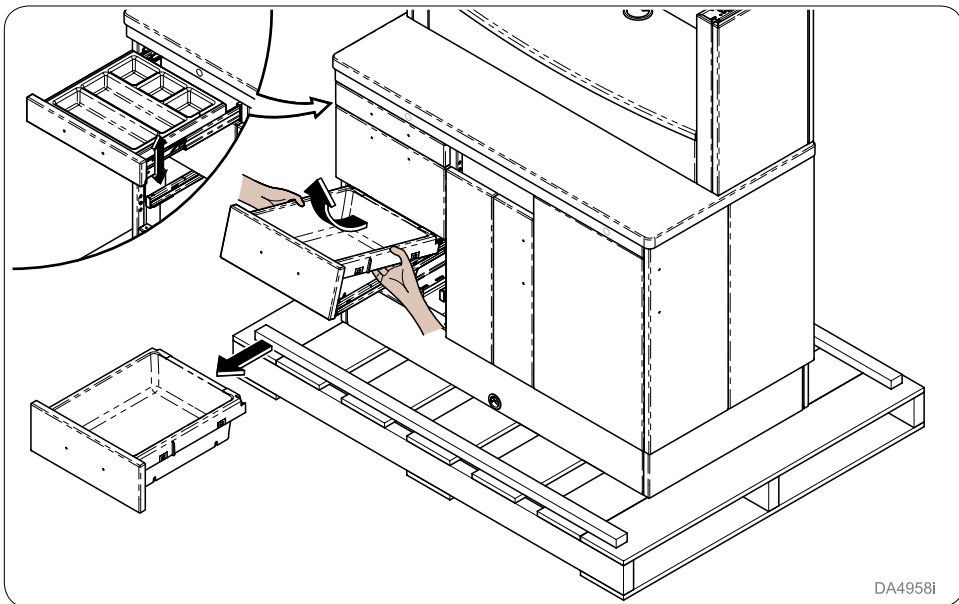
DA4956i

Wall Layout (as applicable)

Note
 These panels are only here if the side storage is selected.



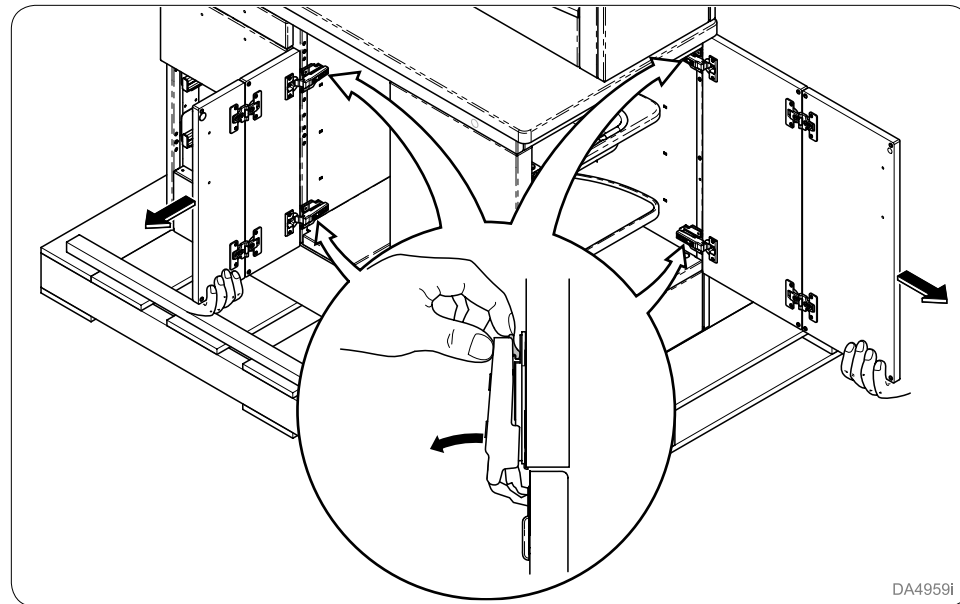
DA49571



DA4958i

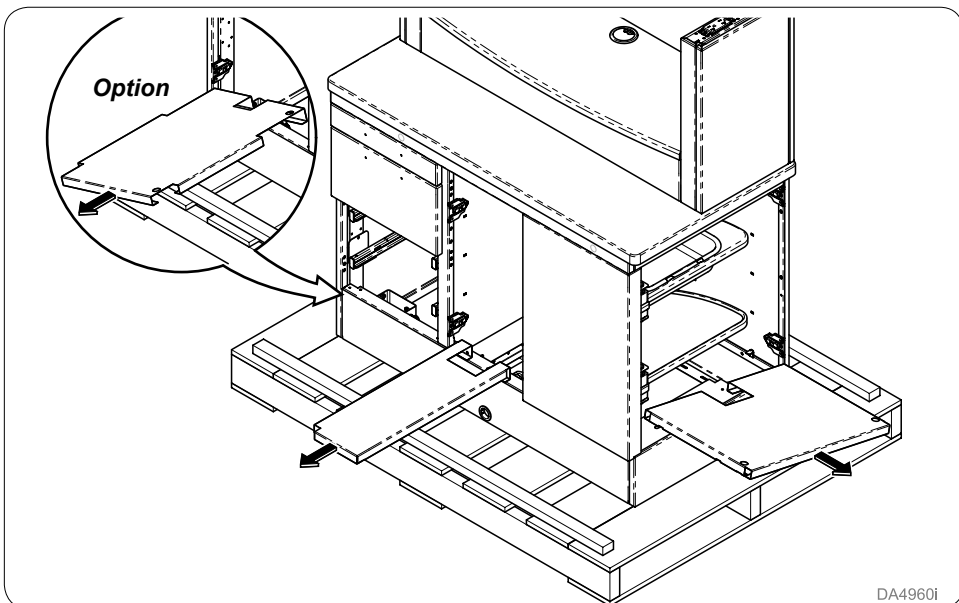
Step 1:
Remove bottom drawers (2) from cabinet.

Note: If needed remove 2" drawer as shown.



DA4959i

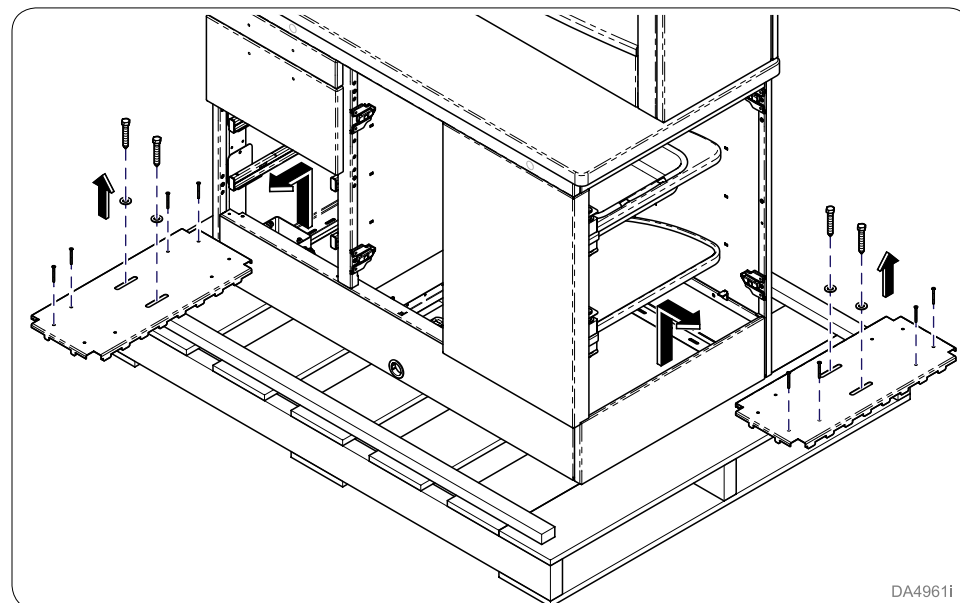
Step 2:
Remove doors (2) from base as required.



DA4960i

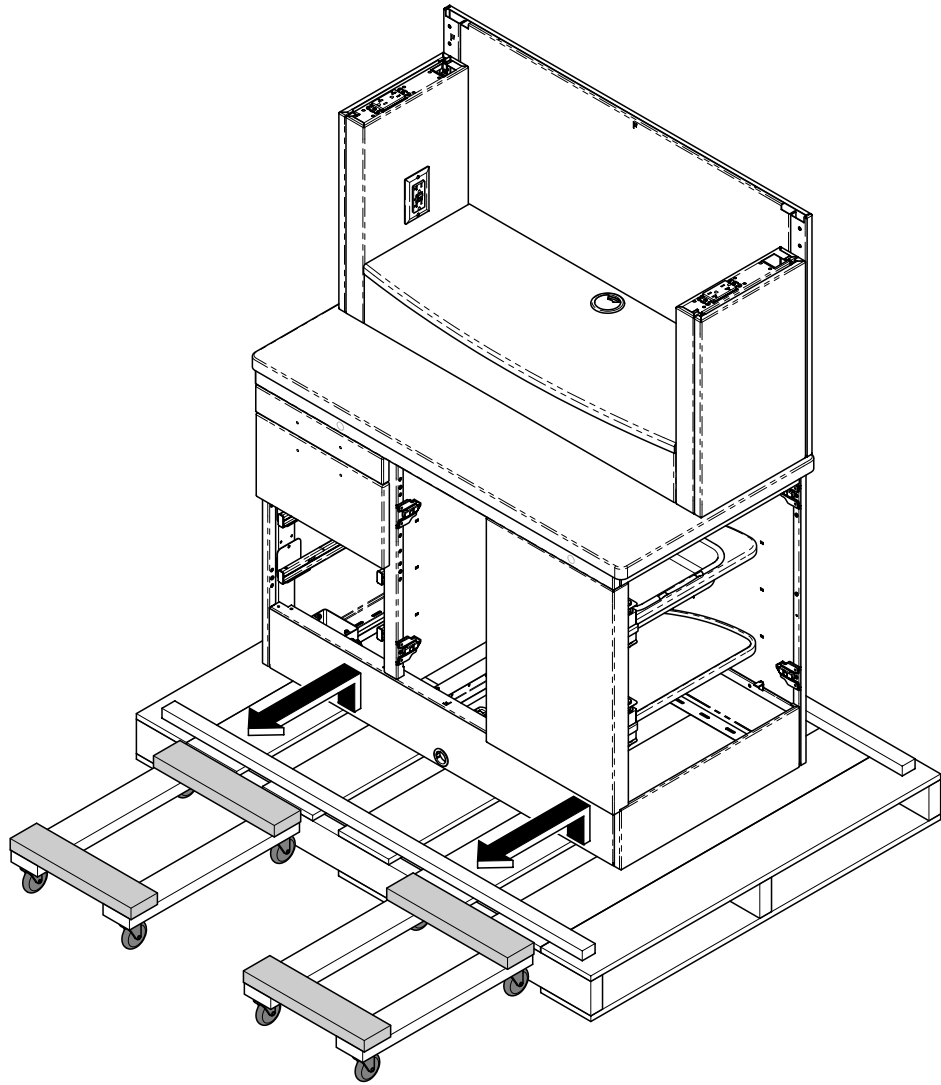
Step 3:
Remove cabinet floors.

Note: Optional floor must be removed if door is present.



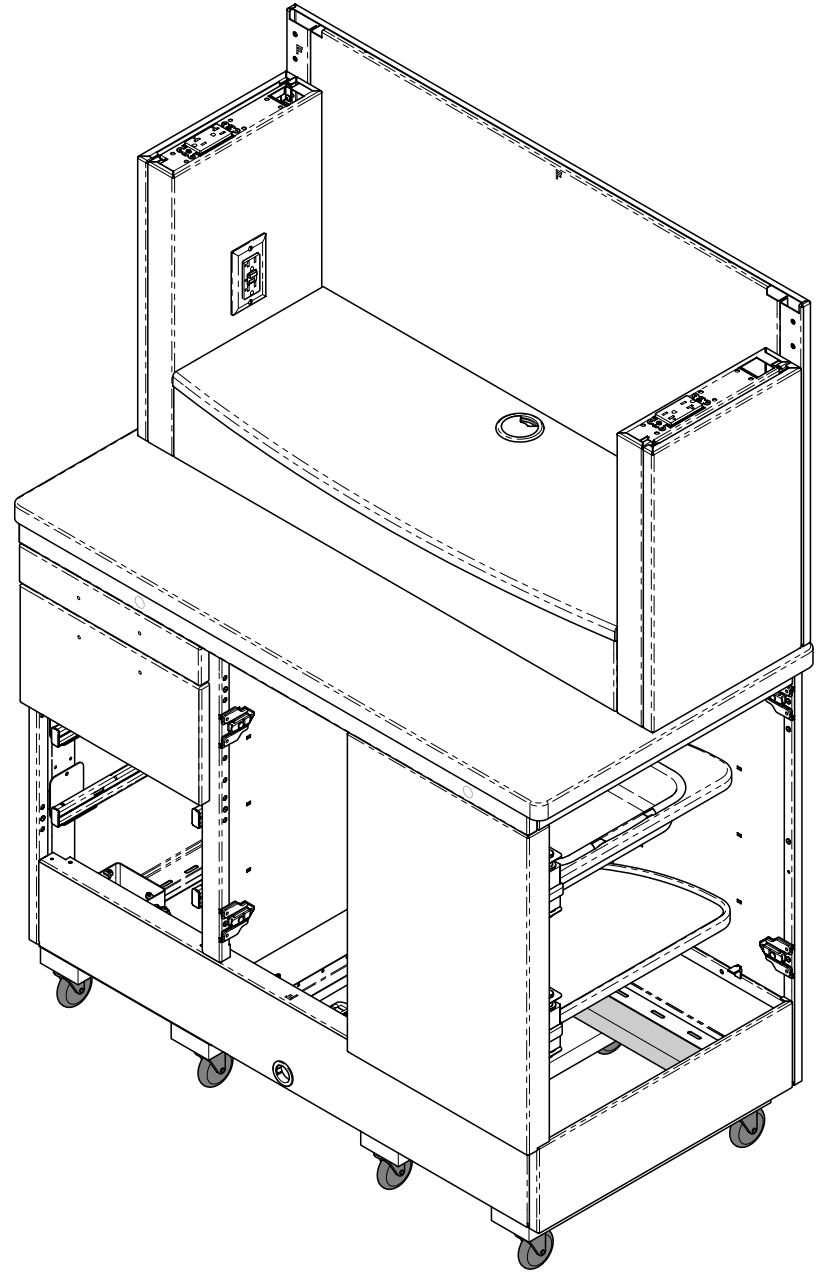
DA4961i

Step 4:
Remove bolts (4), washers (4), and screws (8) out of shipping brackets (2).



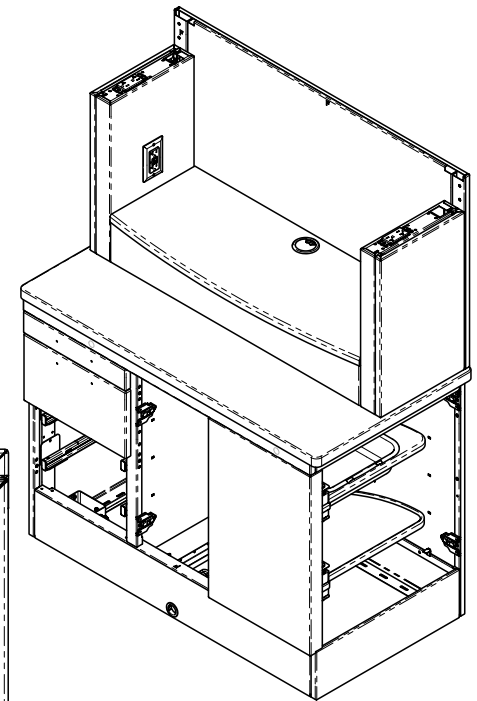
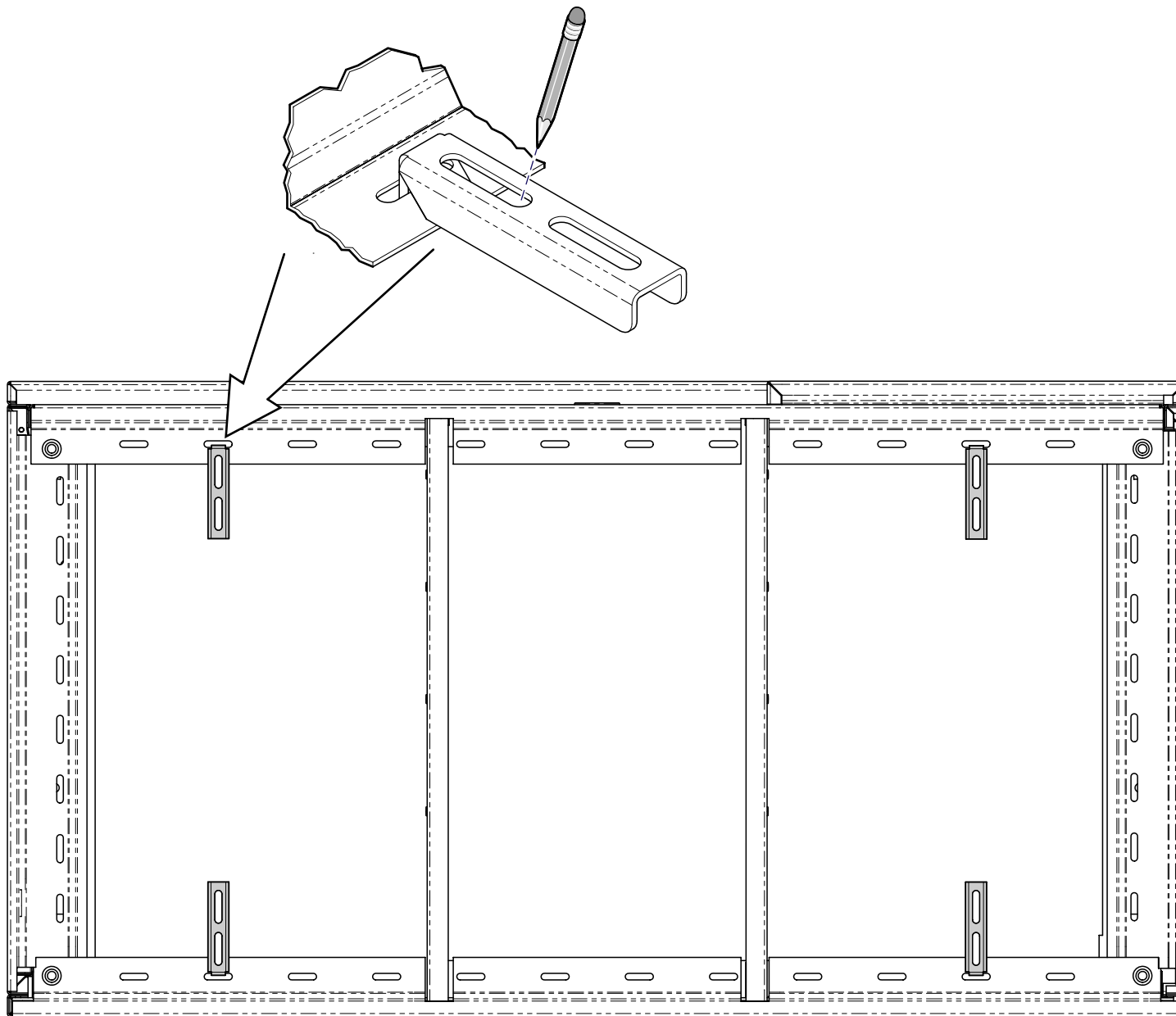
DA4962i

Step 5:
Remove base of cabinet from skid.



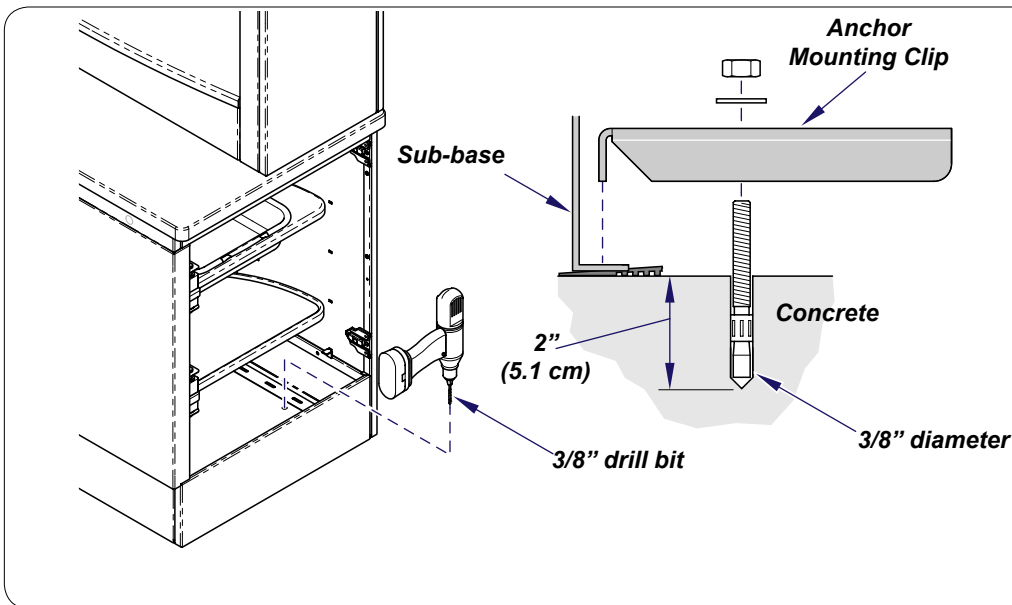
DA4963i

Step 6:
Move cabinet into room.



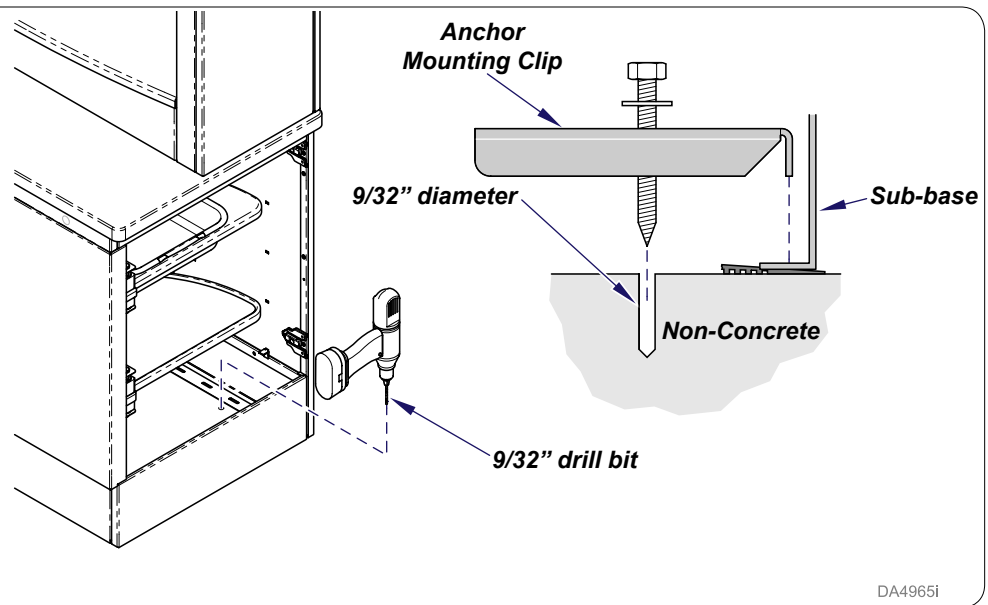
DA4964i

Step 7:
Use anchor mounting clips to mark floor for securing cabinet.



Step 8: Concrete Floor

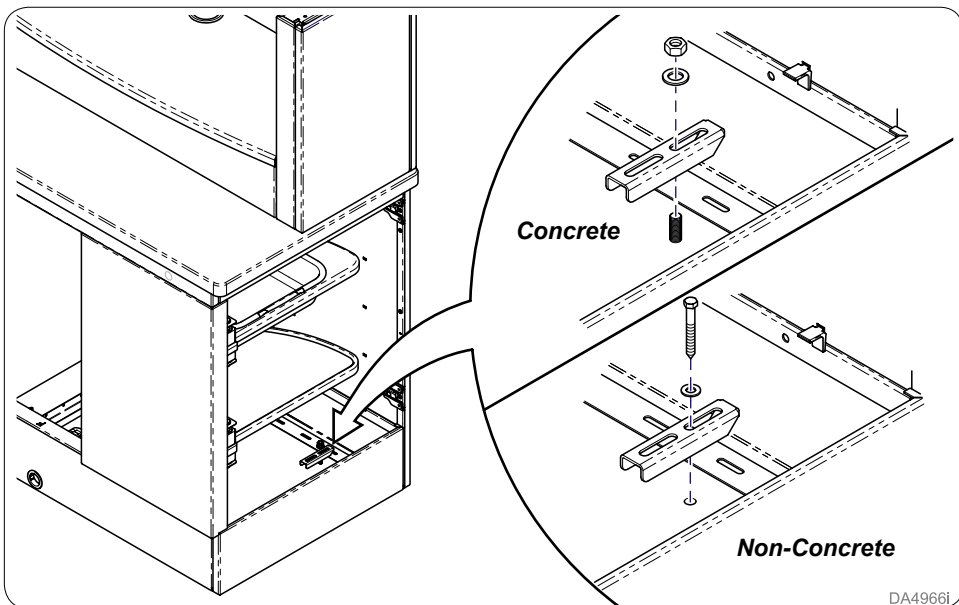
Use 3/8" masonry drill bit to drill 2" deep holes into concrete.



Step 8: Non-Concrete Floor

Use 9/32" wood drill bit to drill holes into non-concrete.

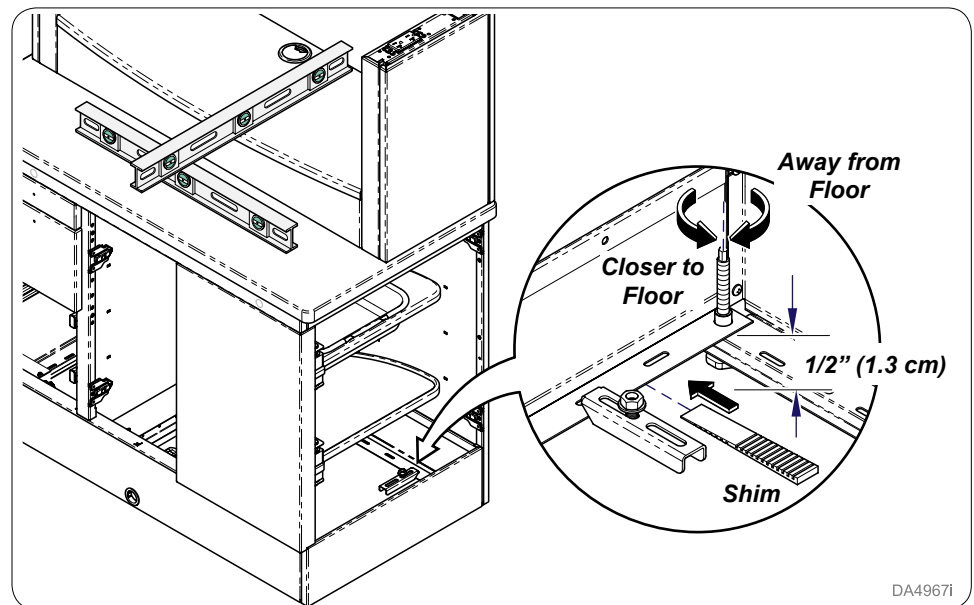
DA4965i



Step 9:

Loosely install mounting hardware and anchor into floor.

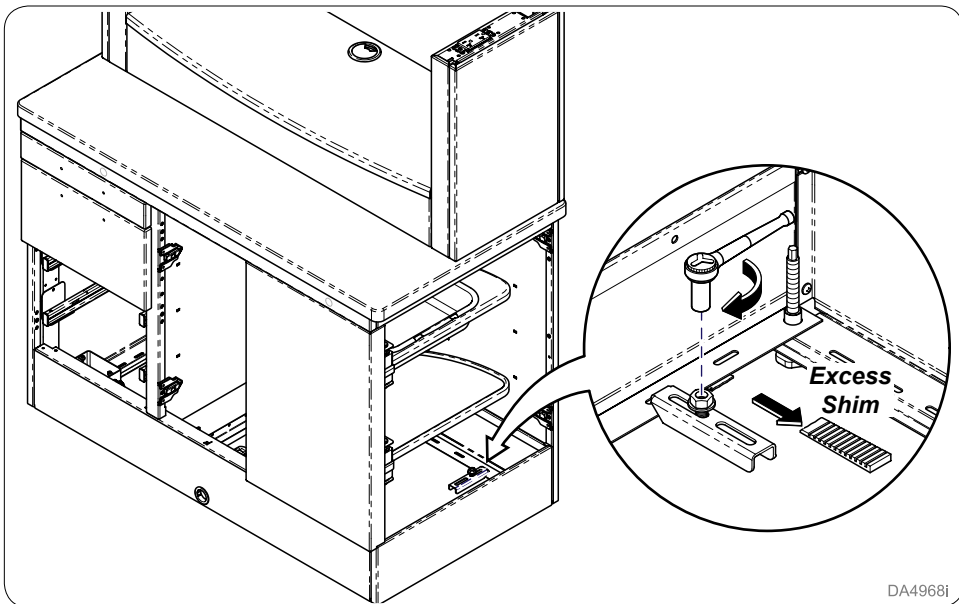
DA4966i



Step 10:

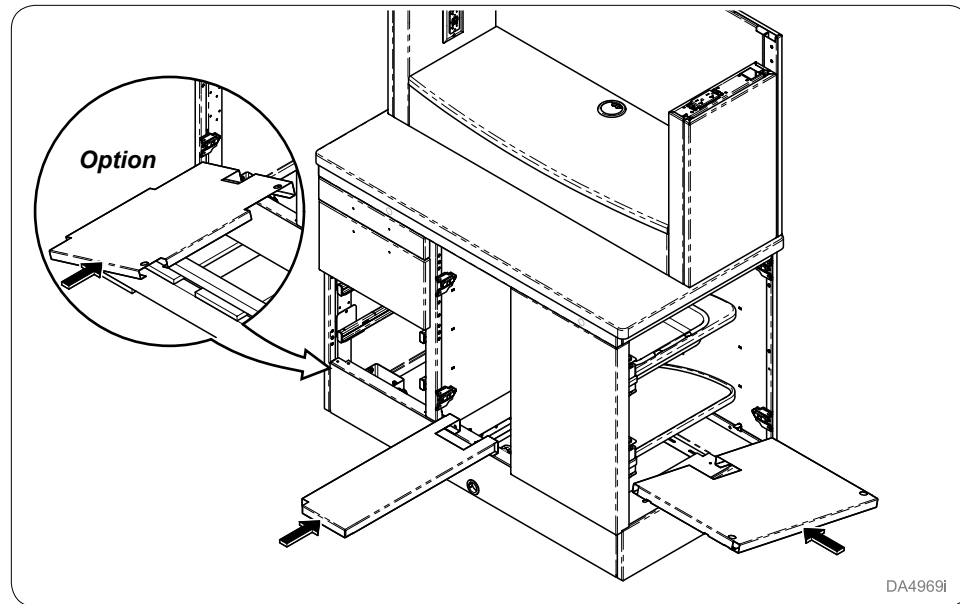
Level cabinet by using leveling feet on base of cabinet. Use shims when necessary. Do Not adjust feet more than 1/2" (1.3 cm).

DA4967i



DA4968i

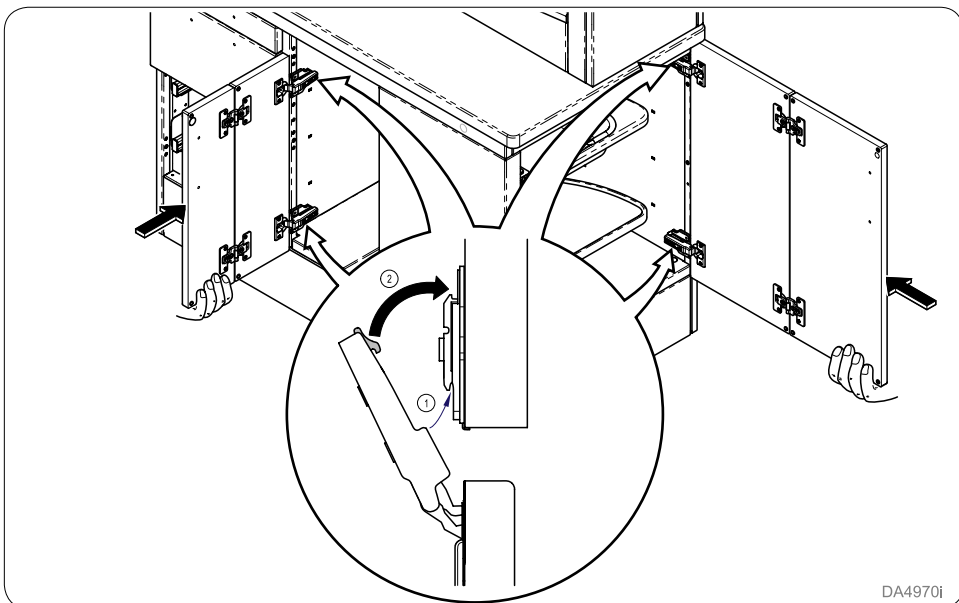
Step 11:
Tighten hardware to secure anchor. Trim excess shim.



DA4969i

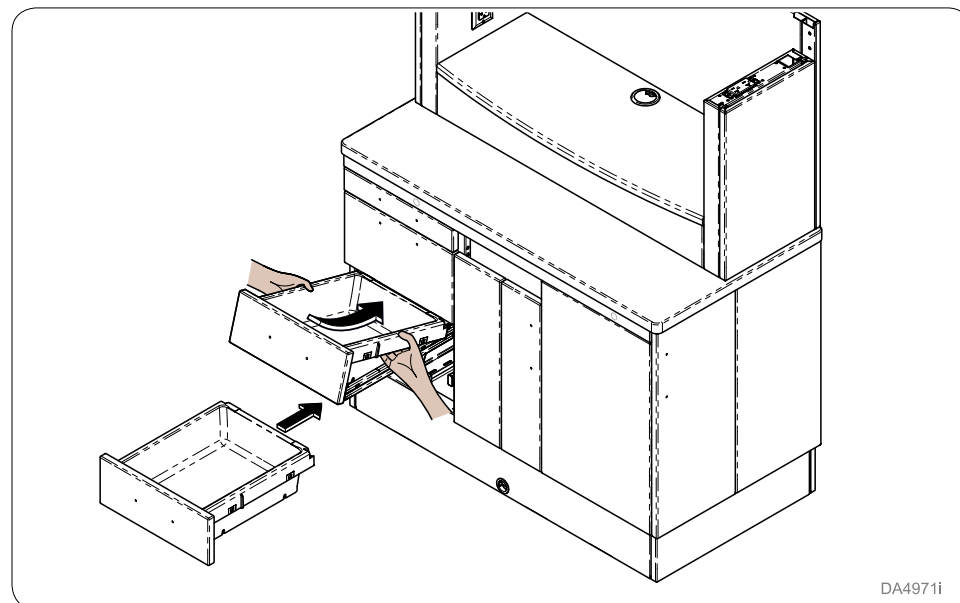
Step 12:
Install cabinet floors as required.

Note: Optional floor will need installed if door is present.



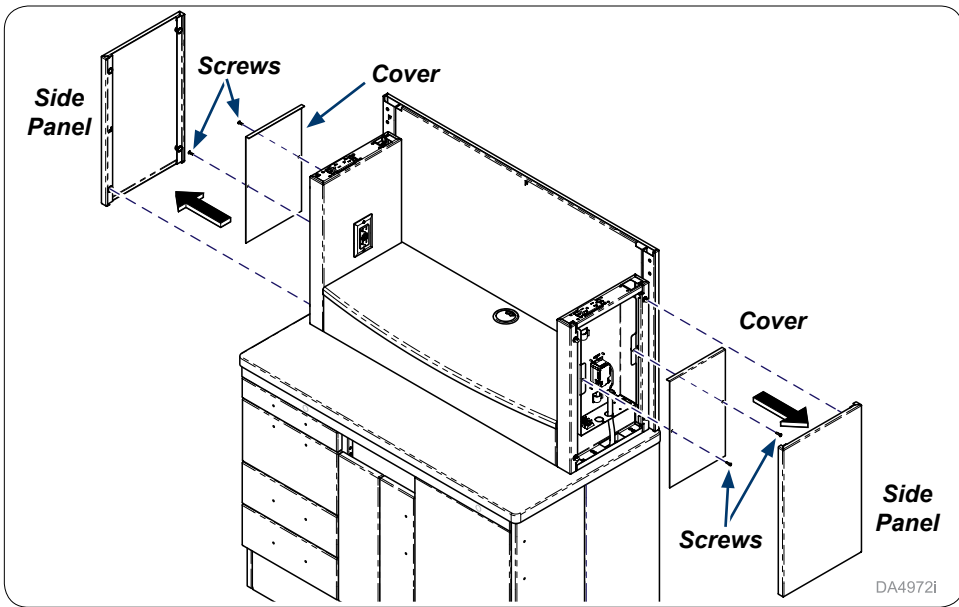
DA4970i

Step 13:
Install base doors as required.

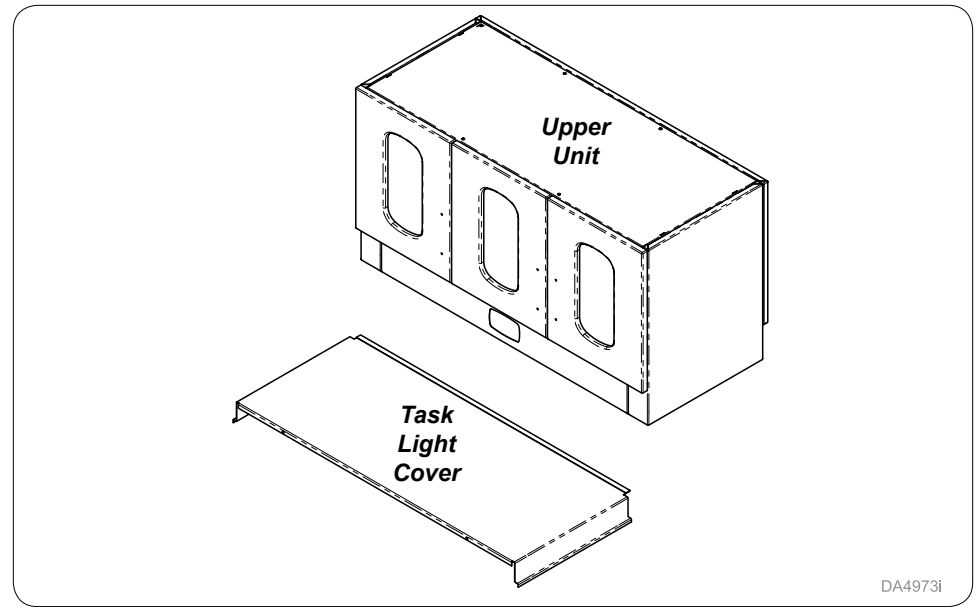


DA4971i

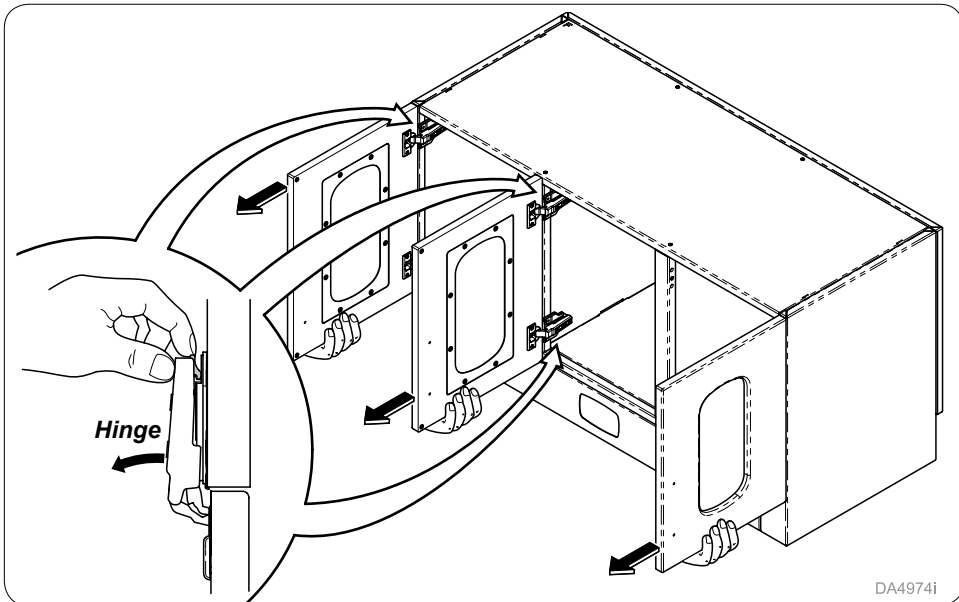
Step 14:
Install drawers (2) into base cabinet.



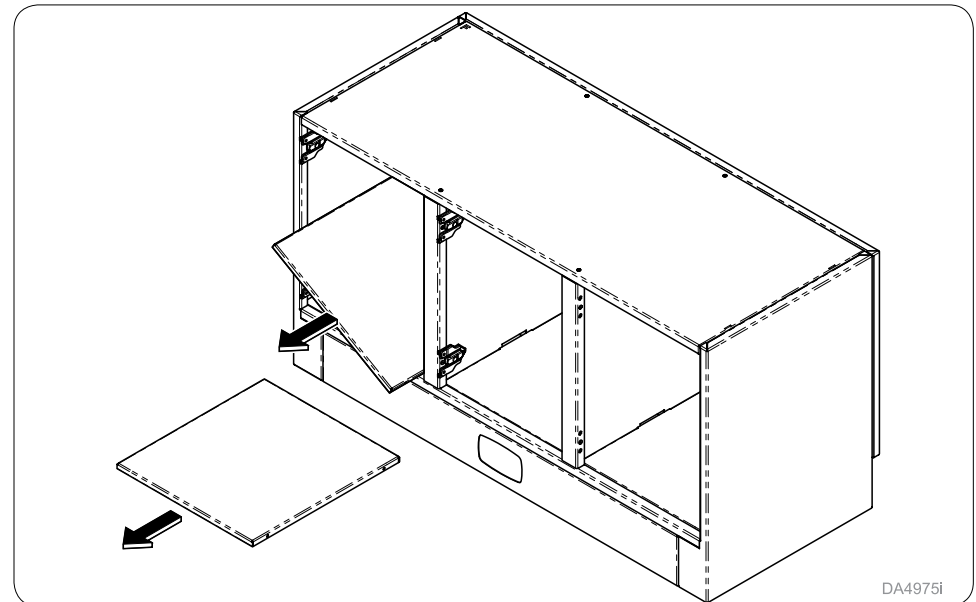
Step 15:
Remove side panels (2) and electrical covers (2) by removing screws (4) from covers.



Step 16:
Locate upper unit and task light cover.



Step 17:
Remove doors from upper unit.



Step 18:
Remove shelves from upper unit.

Note

For ease of installation screws can be started in midsection panel before placing unit onto base.

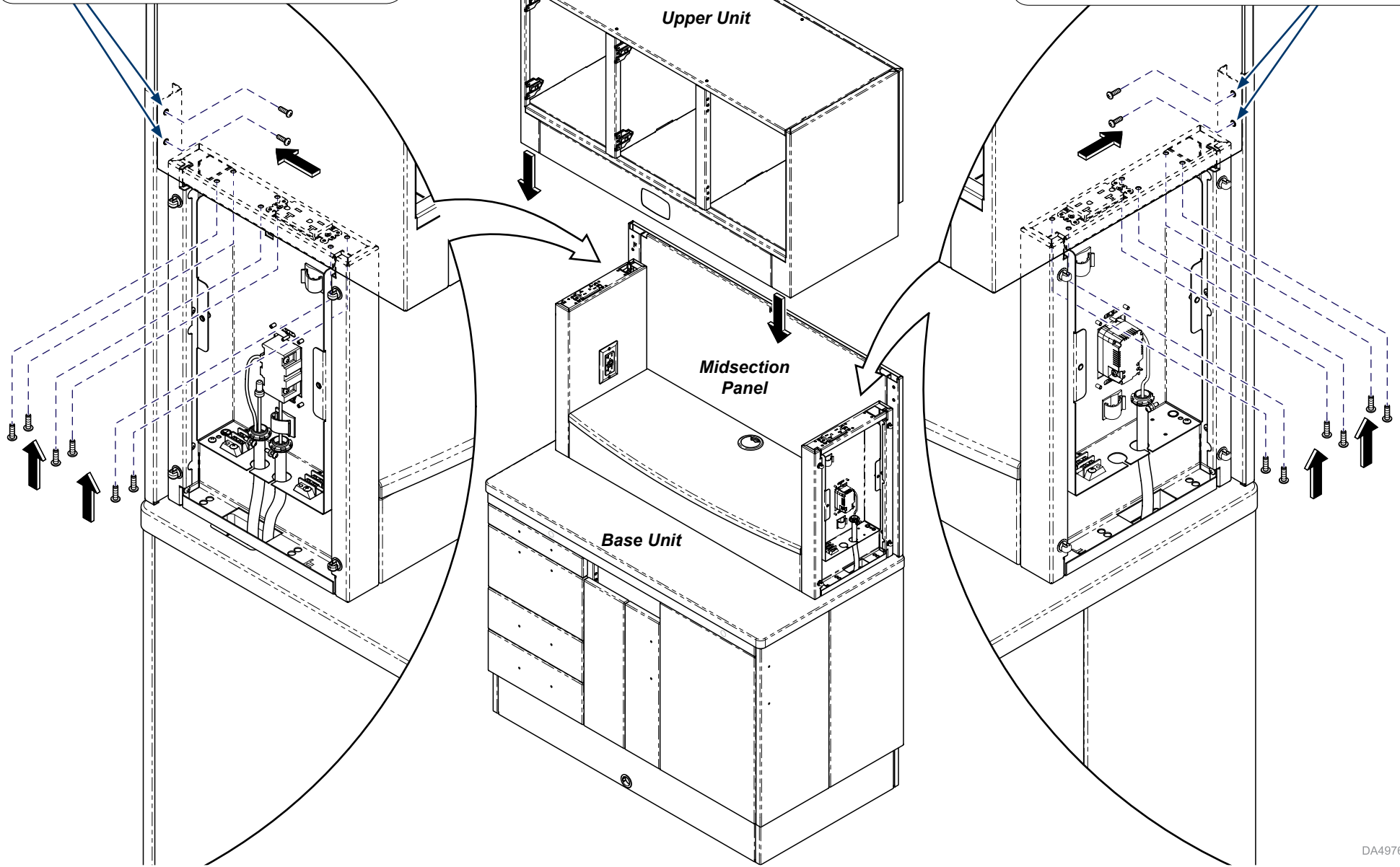
Upper Unit

Midsection Panel

Base Unit

Note

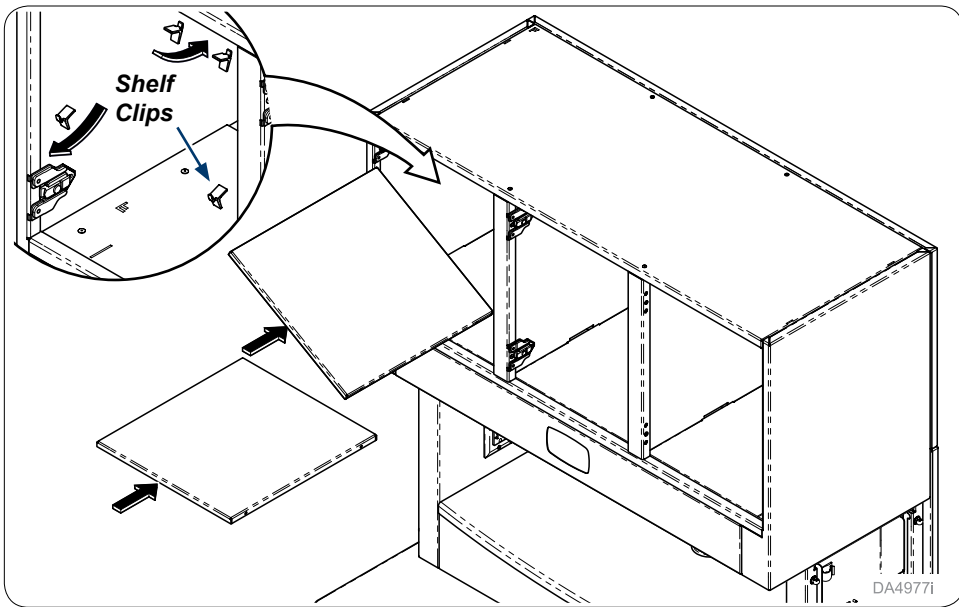
For ease of installation screws can be started in midsection panel before placing unit onto base.



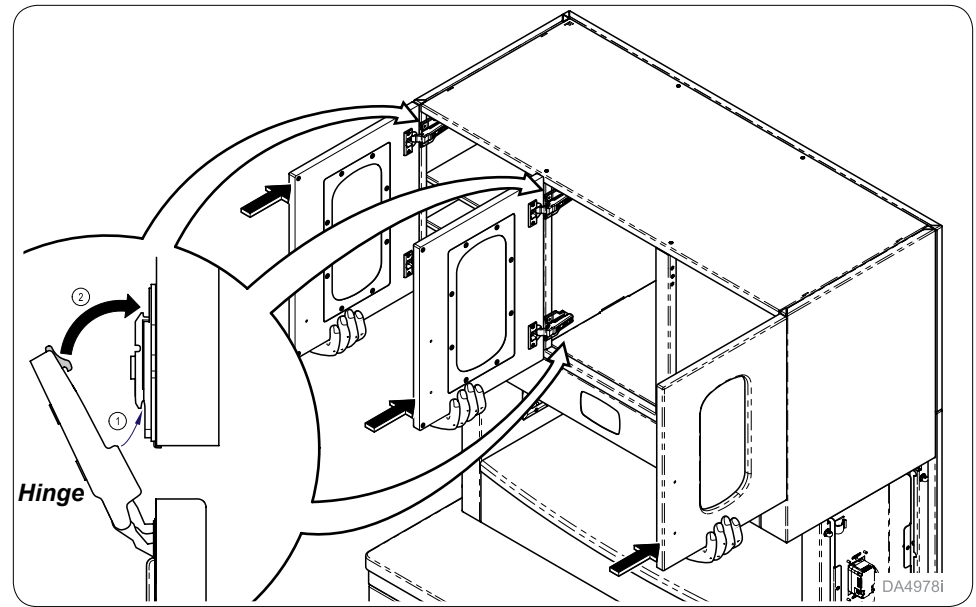
DA4976i

Step 19: Attaching Additional Units

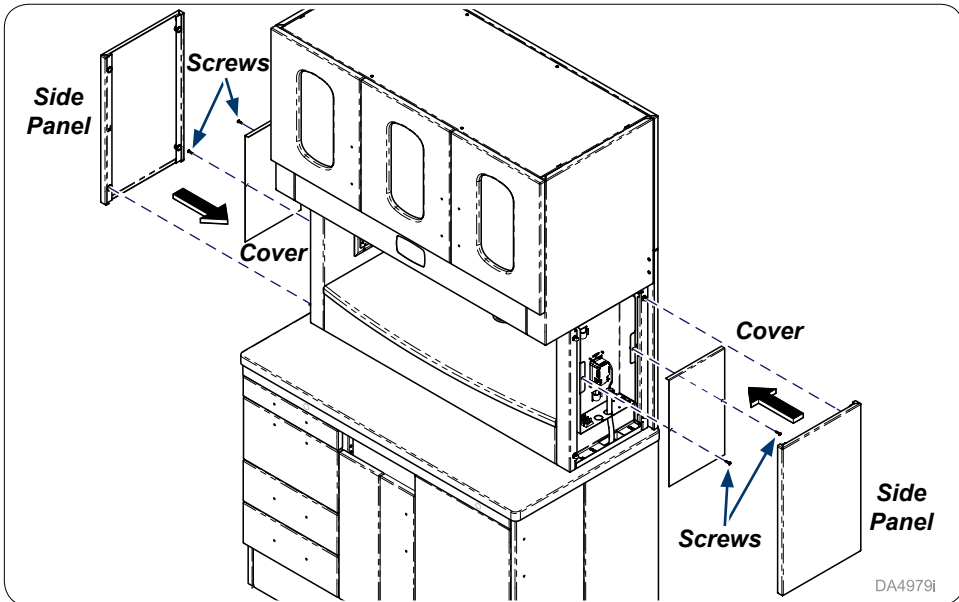
Place upper unit onto base and secure with screws (16) as shown.



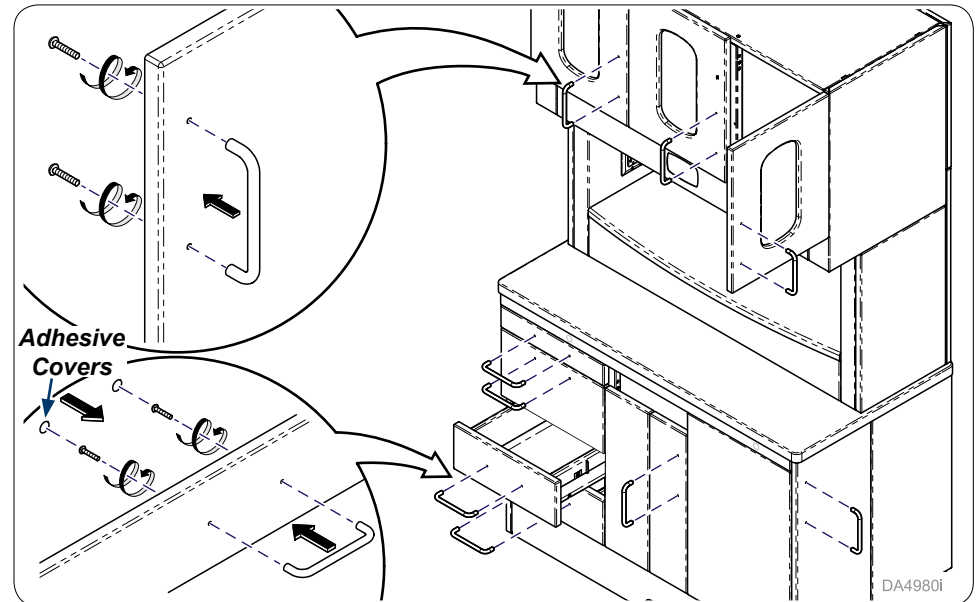
Step 20:
Insert shelf clips (4) per shelf and instal shelves.



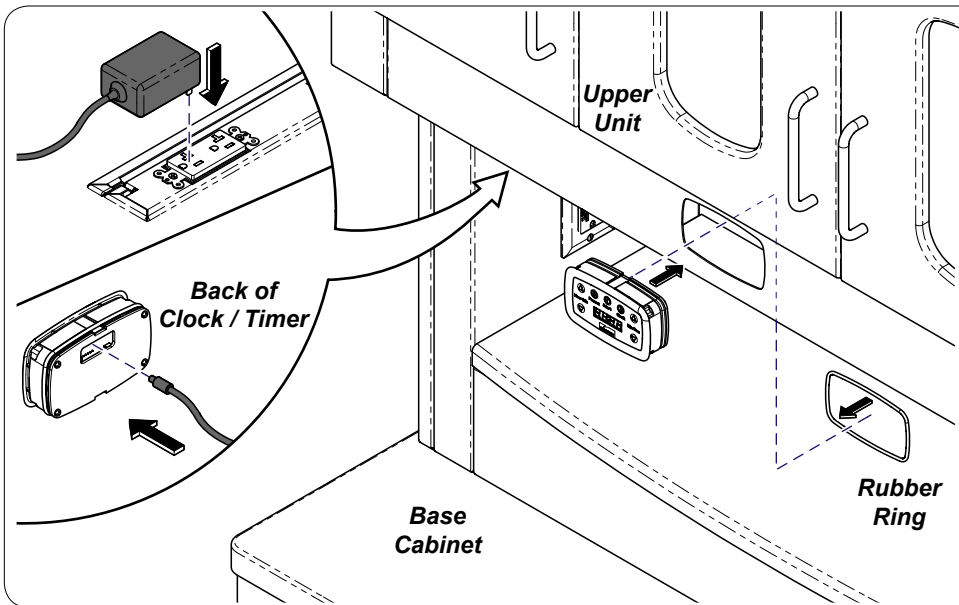
Step 21:
Install upper unit doors.



Step 22:
Install electrical covers (2) with screws (4) and install side panels (2).



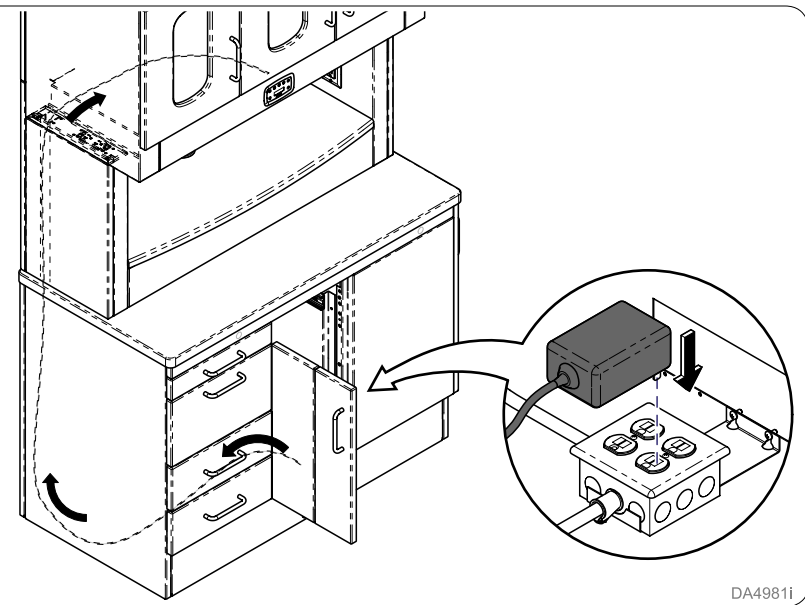
Step 23:
Install handles with screws (2) as needed. Place adhesive covers over screw heads inside of drawers.



Step 24a:

Install Clock / Timer into cabinet with rubber ring. If desired plug into top of base cabinet under upper unit.

Note: Is not required to use plug to power Clock / Timer.

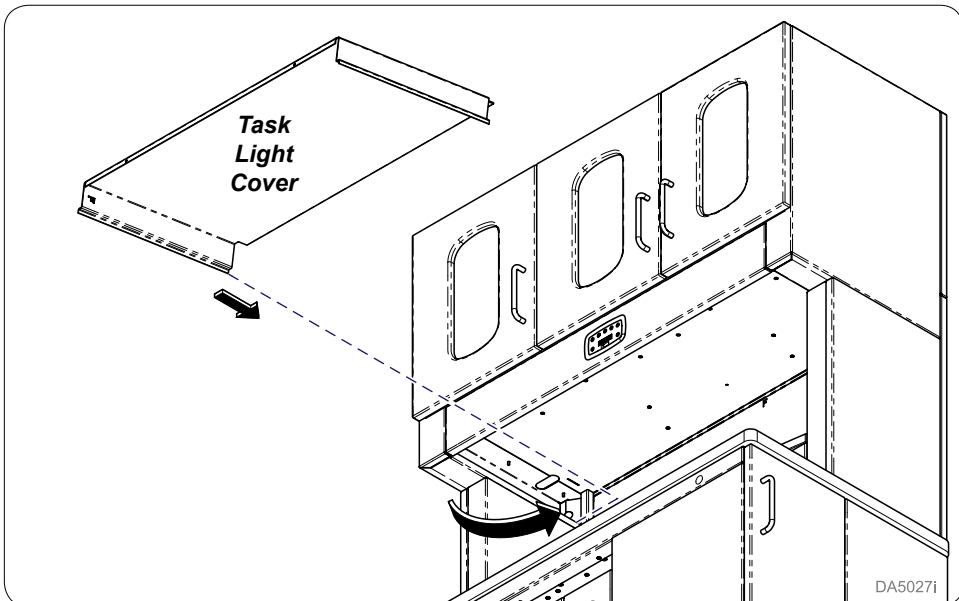


DA4981i

Step 24b: Optional Plug-in spot

Plug-in at inside base cabinet outlet and run wiring from bottom of cabinet up through to Clock / Timer.

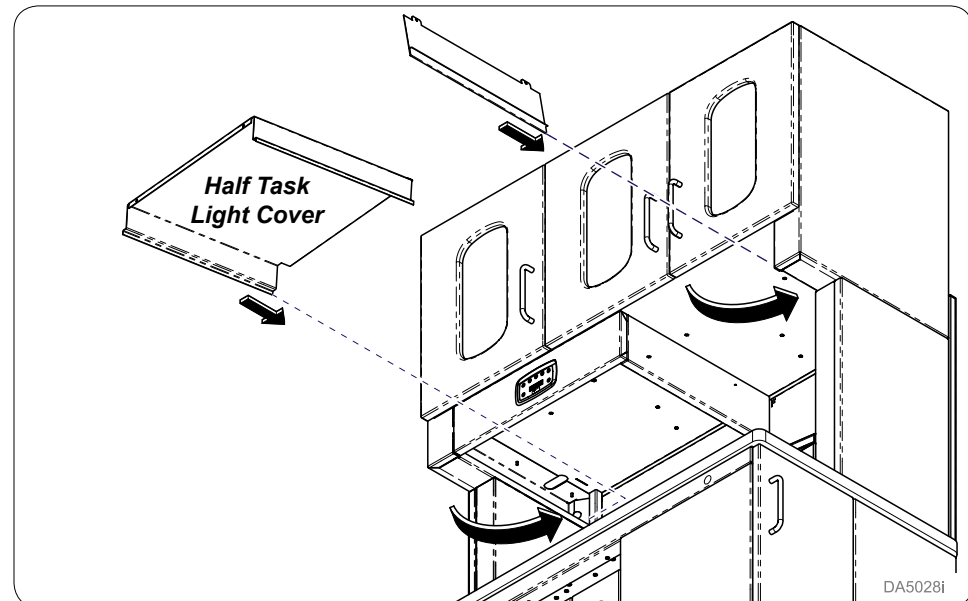
Note: Is not required to use plug to power Clock / Timer.



DA5027i

Step 25: Task Light Cover

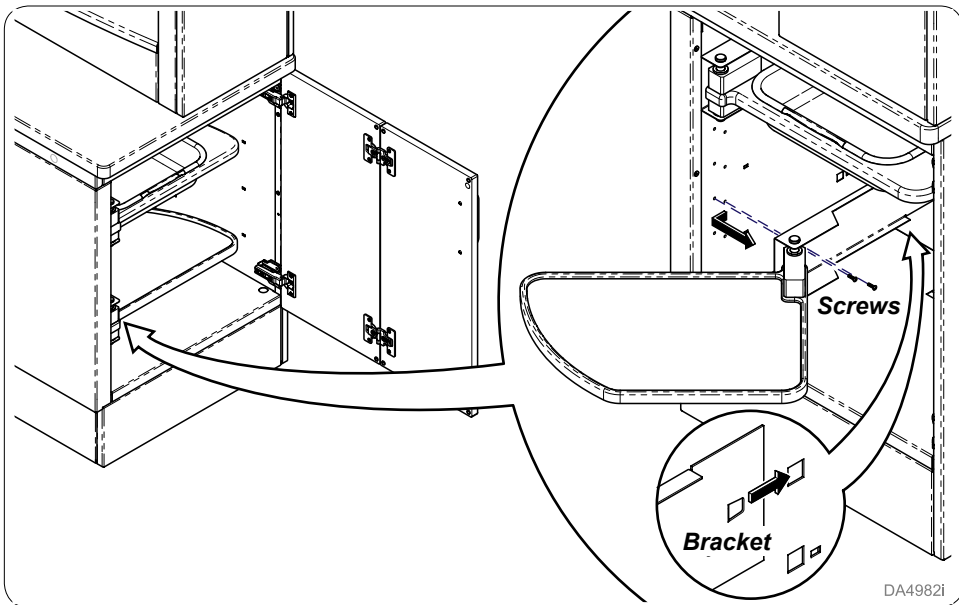
Install task light cover by first sliding corner and side of cover into position and lift and slide other side into place.



DA5028i

Step 26: Task Light Half Cover

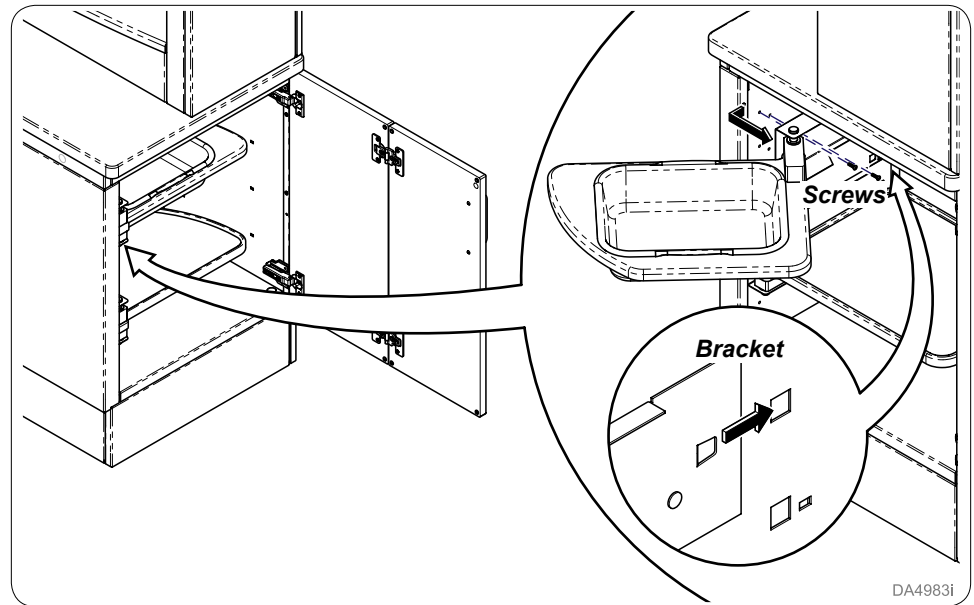
Install half task light cover by first sliding corner and side of cover into position and lift and slide other side into place.



DA4982i

Step 27: Optional

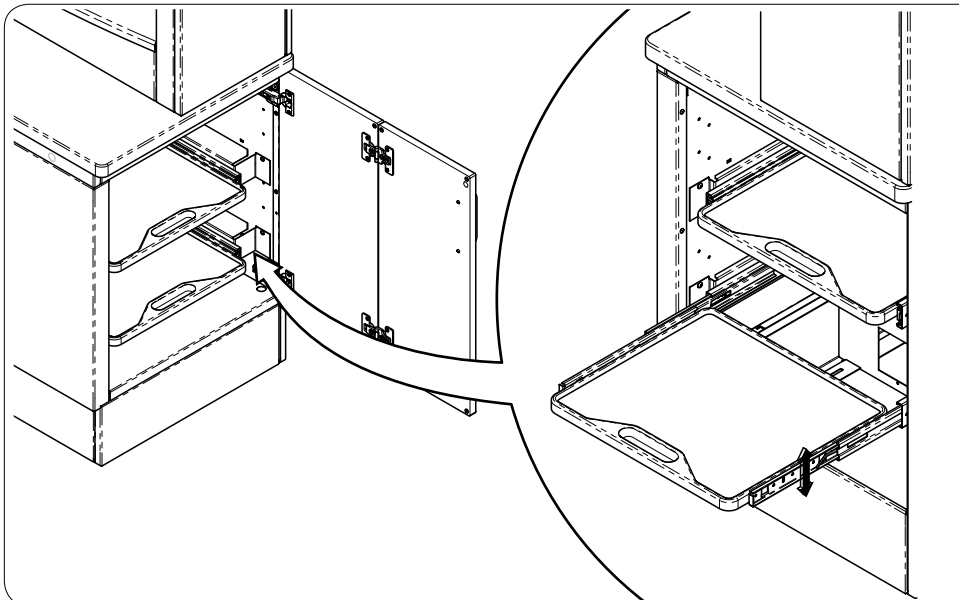
Remove screws (2) from shelf bracket, slide bracket and shelf toward opening and move up or down. Make sure to slide back of bracket into side panel of cabinet and secure with screws (2).



DA4983i

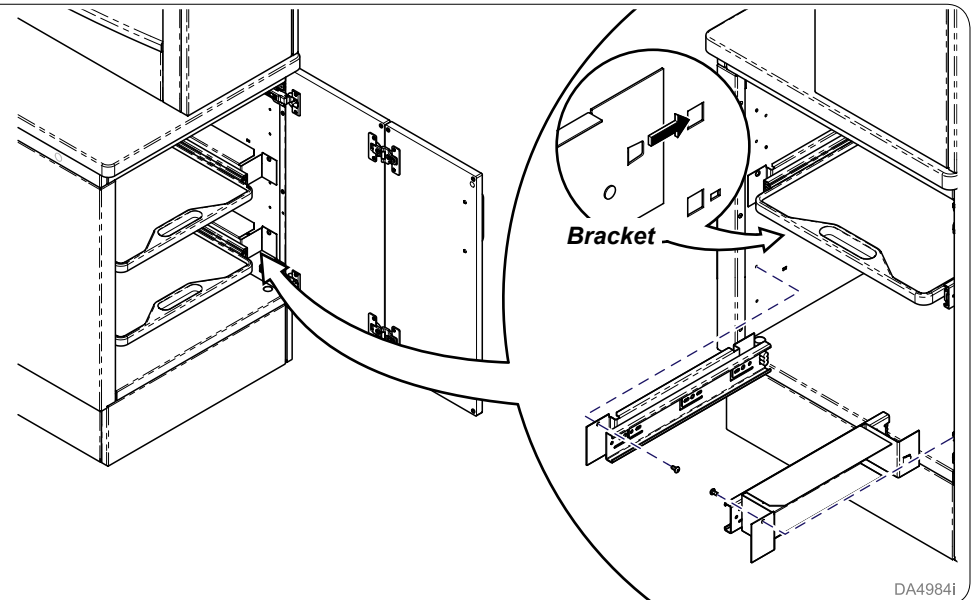
Step 28: Optional

Remove screws (2) from tub bracket, slide bracket and tub toward opening and move up or down. Make sure to slide back of bracket into side panel of cabinet and secure with screws (2).



Step 29: Optional

Remove pull-out shelf from cabinet.



DA4984i

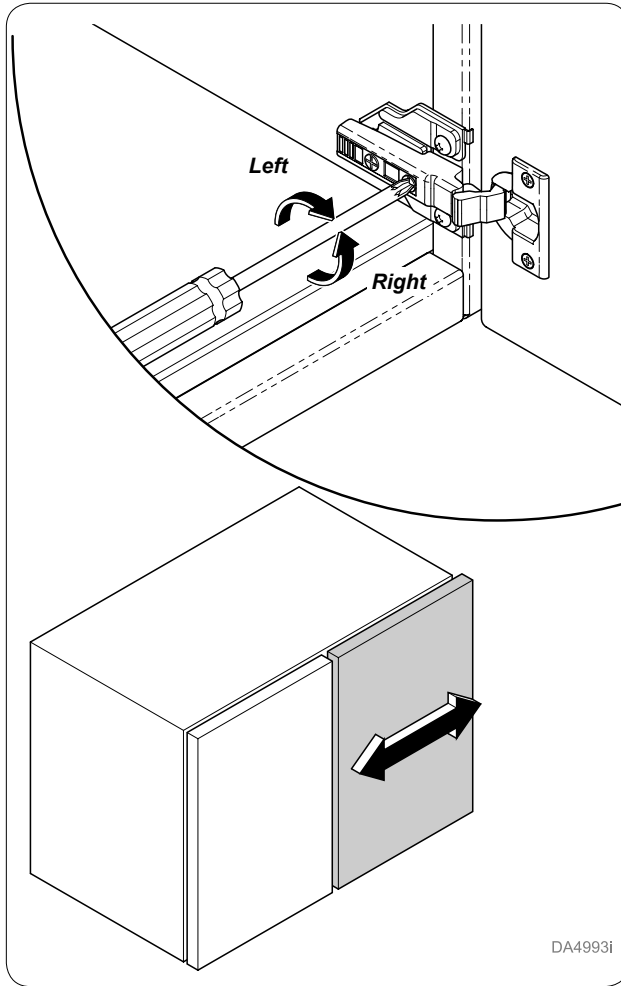
Step 30: Optional

Remove screws (2) from brackets, move bracket up or down and slide back of bracket into side panel of cabinet before securing bracket. Reinstall shelf.

Door Adjustment

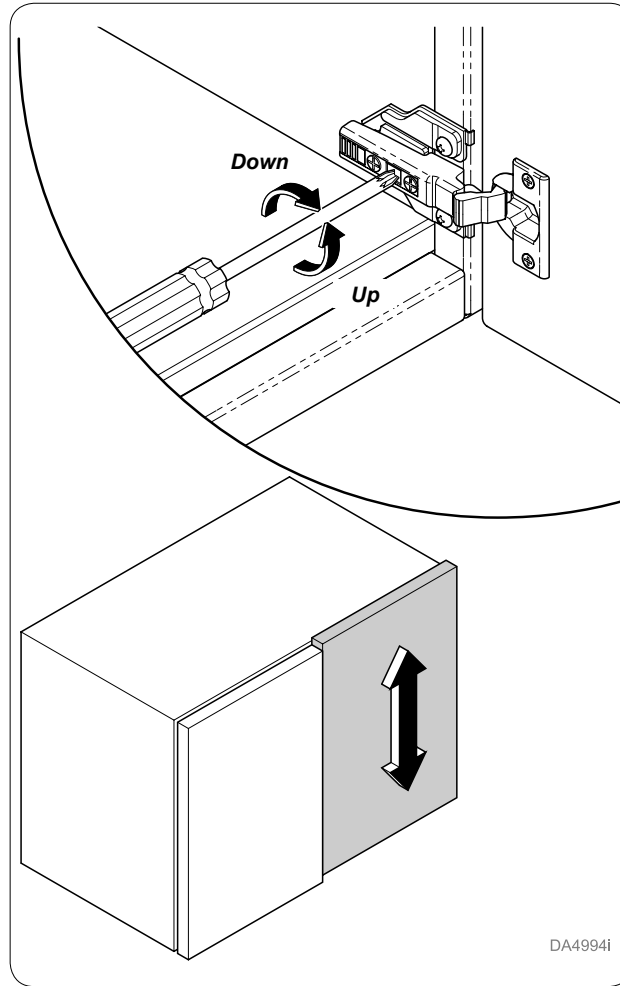
Step 31:

Adjust doors as necessary to prevent damages to doors while in use.



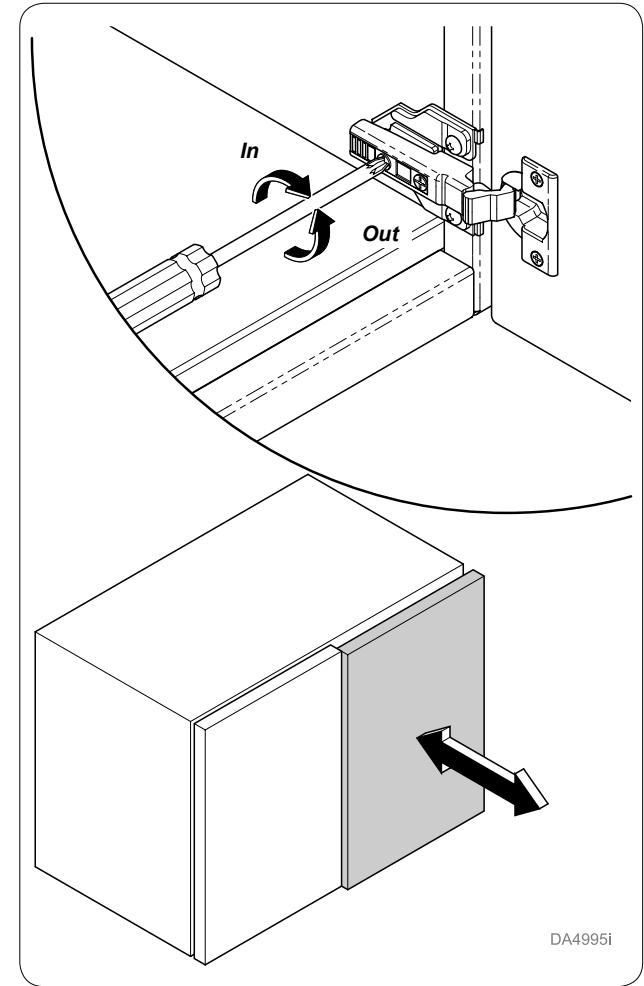
Door Adjustment Side to Side

Turn screw located closest to door to increase or decrease the door overlay side to side (+ or - 2 mm).



Door Adjustment Up and Down

Turn cam screw located in center of mounting plate to adjust door position up or down (+ or - 2 mm).



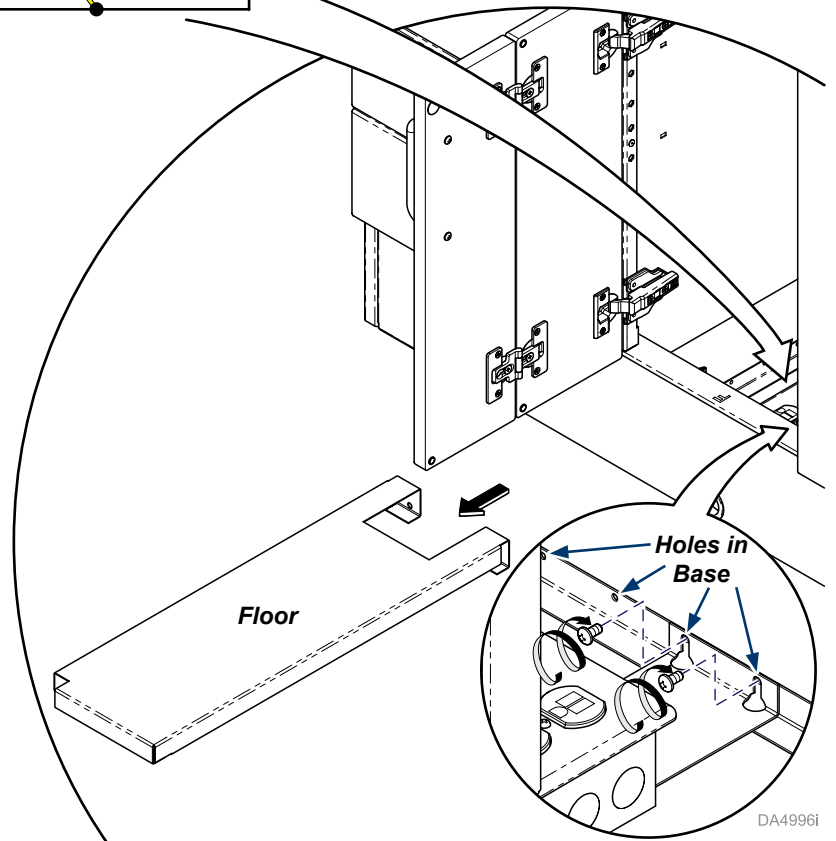
Door Adjustment Away or Closer

Turn Spiral Tech cam screw located furthest from door to position the door farther from or closer to cabinet (+3 mm or -2 mm).



Equipment Alert
 Dedicated branch circuit rated at 120VAC, 50/60 Hz, 20 amp.

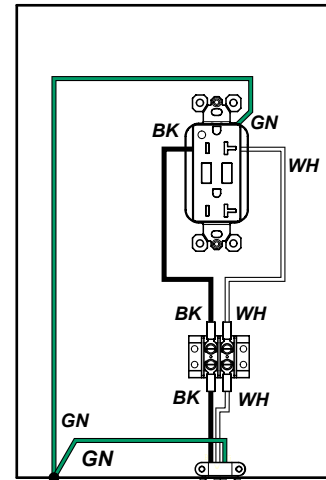
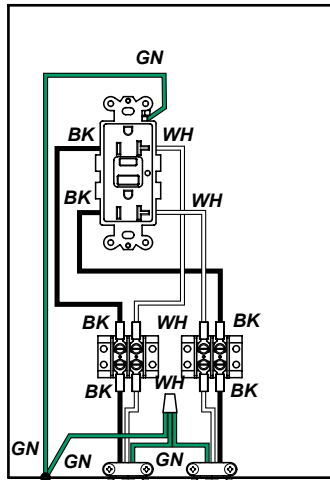
Note
 Only Licensed Electricians following local and applicable electrical codes should install and connect the electrical supply power. Midmark cannot be held responsible for installations that do not conform to local codes.



Item	Color (English)
BK	Black
GN	Green or Green / Yellow
WH	White

Step 32:
 Remove floor from base cabinet. Secure the electrical box to inside of cabinet with (#10 x 3/8") screws (2) using any holes needed. Reinstall floor into base.

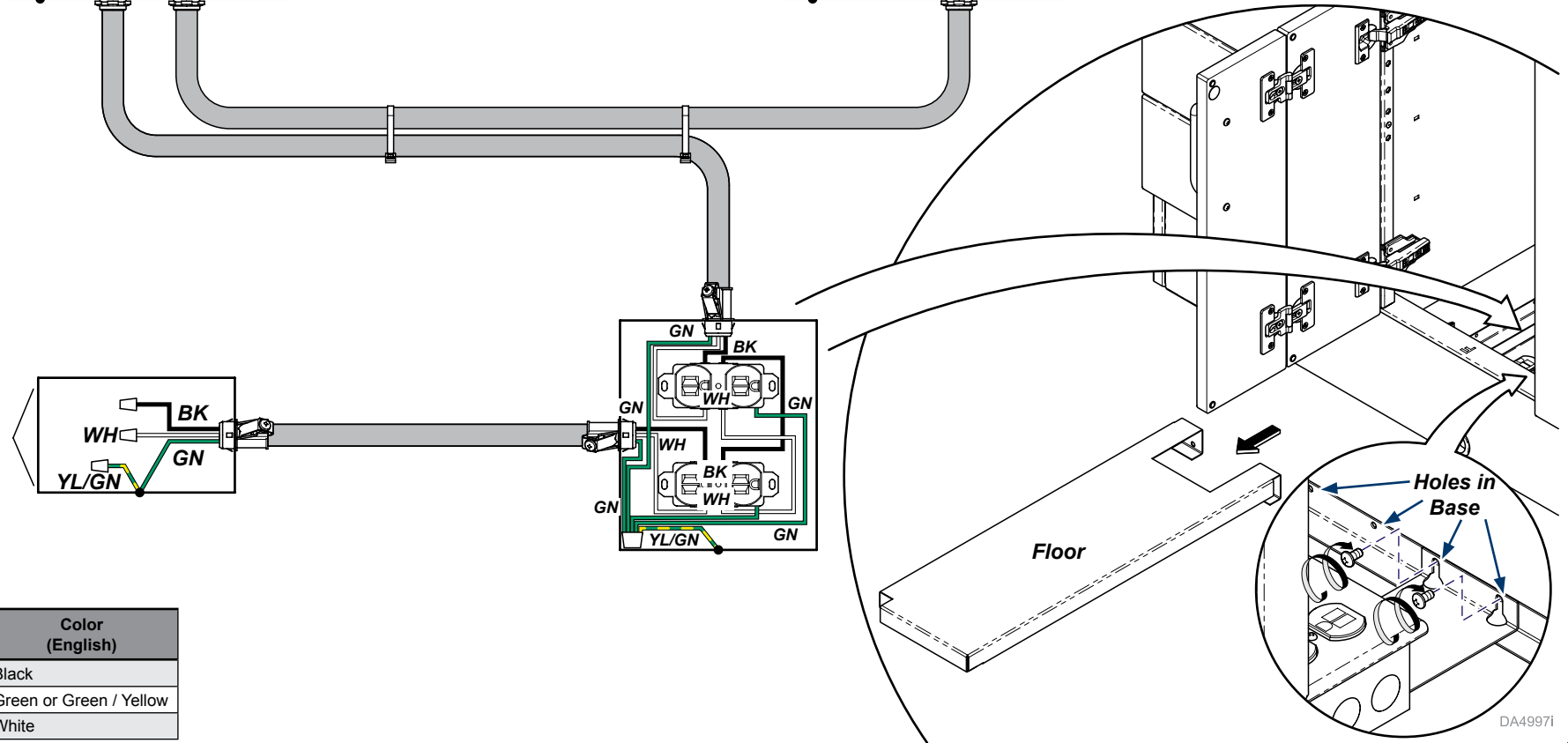
DA4996i



Equipment Alert
Dedicated branch circuit rated at 120VAC, 50/60 Hz, 20 amp.

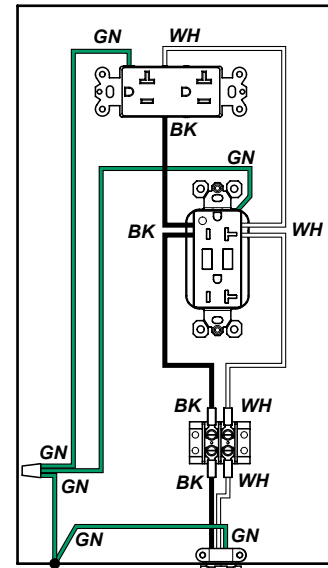
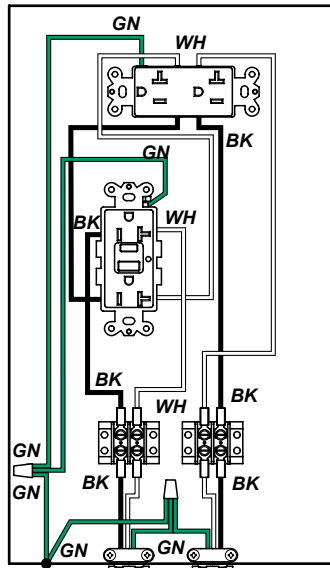
Note

Only Licensed Electricians following local and applicable electrical codes should install and connect the electrical supply power. Midmark cannot be held responsible for installations that do not conform to local codes.



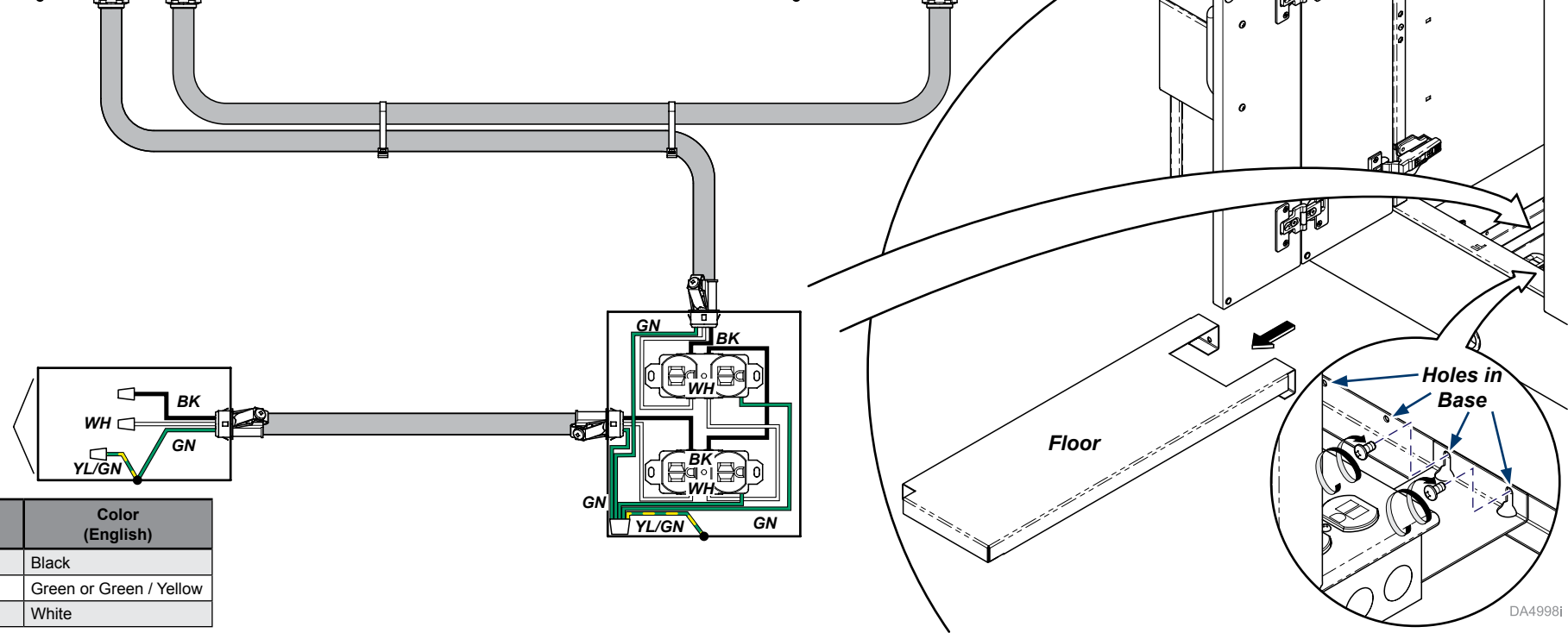
Item	Color (English)
BK	Black
GN	Green or Green / Yellow
WH	White

Step 32:
Remove floor from base cabinet. Secure the electrical box to inside of cabinet with (#10 x 3/8") screws (2) using any holes needed. Reinstall floor into base.



Equipment Alert
 Dedicated branch circuit rated at
 120VAC, 50/60 Hz, 20 amp.

Note
 Only Licensed Electricians following local
 and applicable electrical codes should
 install and connect the electrical supply power.
 Midmark cannot be held responsible for
 installations that do not conform to local codes.



Item	Color (English)
BK	Black
GN	Green or Green / Yellow
WH	White

Step 32:
 Remove floor from base cabinet. Secure the electrical box to inside of cabinet with (#10 x 3/8") screws (2) using any holes needed. Reinstall floor into base.



Because we care.
 003-10102-00