

9A205 BASE RAIL ASSEMBLY

KIT COMPONENTS

Part Number	Description	Qty.
9A20500x	Base Rail Assembly	1 pair
003-0768-00	Installation / Operation Instructions	1

REQUIRED TOOLS

Punch (1/8" or smaller)
 Needle Nose Pliers
 3/8" Wrench
 5/32" Hex Allen Wrench

INTRODUCTION

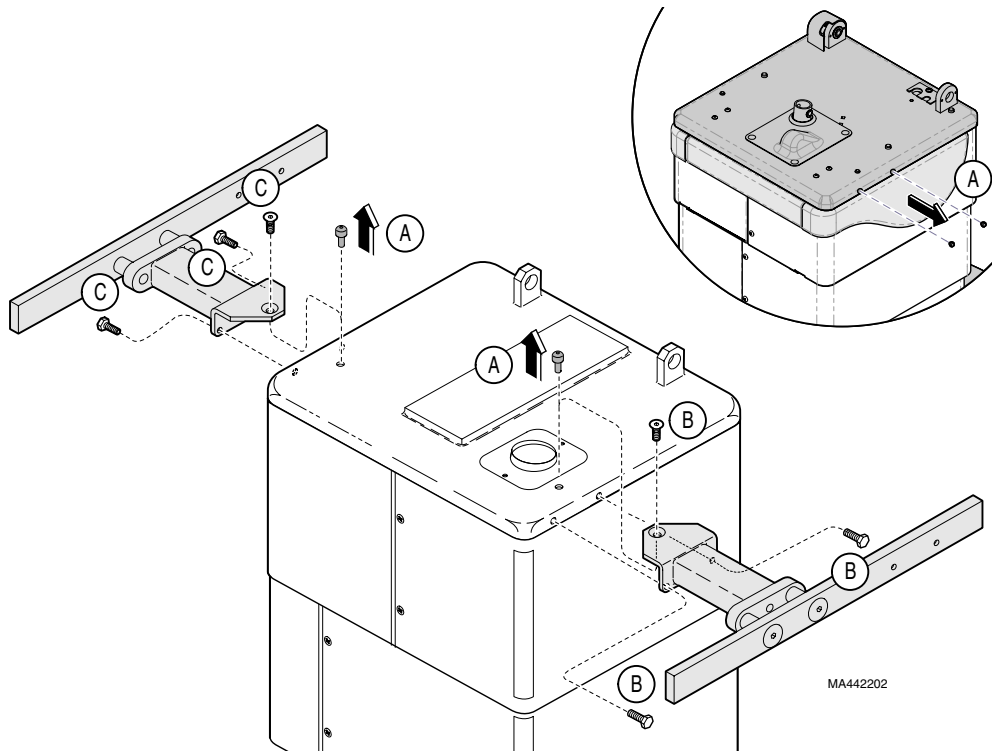
To provide a secure, stationary support for mounting certain accessories. Contains one pair, a patient's right and left side, of Base Rail assemblies.



WARNING

Do not install on same side of table that has a 9A22700x Seat Rail. Remove any Seat Rails before installing the Base Rail. Failure to comply may result in personal injury or equipment damage.

INSTALLATION



NOTE

For ease of installation, move TABLE, BACK, TILT and FOOT functions fully UP.

- A. Using punch and pliers, remove black nylon rivets from mounting holes.

EQUIPMENT ALERT



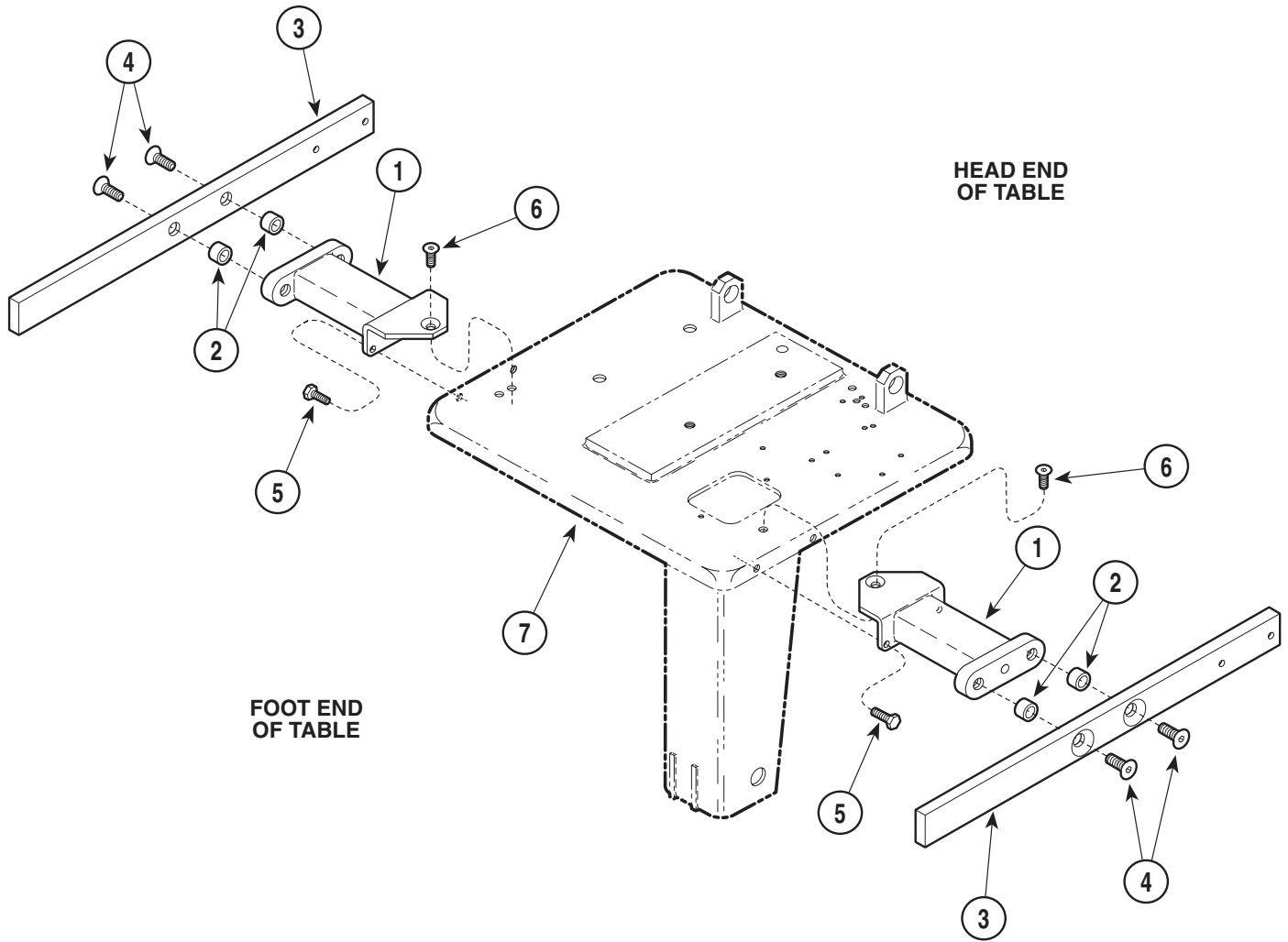
The length of Base Rail that extends farther from base rail weldment must be pointed toward rear of table when mounting.

- B. Place left-hand base rail in position and install mounting screws.
- C. Install right-hand rail in similar manner.


Base Rail Assembly

NOTE:

Do not use this accessory with the 9A227 Base Rail Accessory.



MA280700

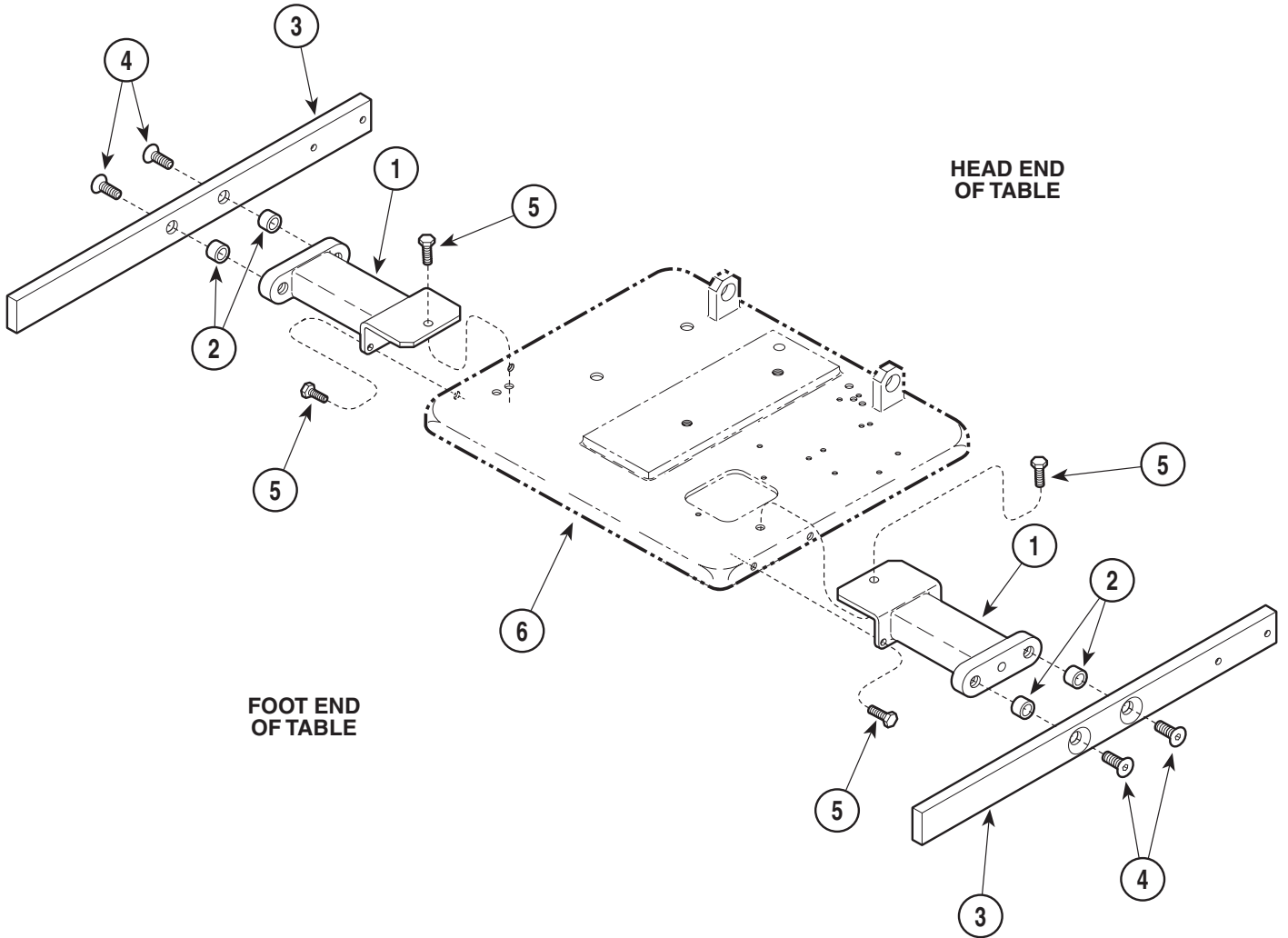
Used on units built prior to 9/30/2001							
Item	Part No.	Description	Qty.	Item	Part No.	Description	Qty.
	9A205002	Base Rail Assembly (Includes Items 1 thru 6 plus 8)	1	4	• 040-0375-45	• Screw (Apply Loctite #042-0025-00) ...	4
1	• 030-1041-00	• Base Rail Weldment	2	5	• 040-0250-133	• Screw	4
2	• 052-0115-02	• Spacer	4	6	• 040-0250-139	• Screw	2
3	• 051-0834-00	• Base Rail	2	7		Column Adapter Weldment	Ref
				8	• 003-0768-00	• Installation Instructions	1

Always Specify Model & Serial Number

Base Rail Assembly

NOTE:

Do not use this accessory with the 9A227 Base Rail Accessory.



Used on units built from 10/01/2001

Item	Part No.	Description	Qty.	Item	Part No.	Description	Qty.
●	9A205002	Base Rail Assy (incl. items 1 thru 5):	2	●	052-0115-02	Spacer	4
	9A205004	for models 411 -009 thru -018	3	●	051-0834-00	Base Rail	2
		for models 230 & 630 (all)	4	●	040-0375-45	Screw (Apply Loctite #042-0025-00) ...	4
1	●	Base Rail Weldment	5	●	040-0250-133	Screw	6
	030-1041-00	for models 411 thru -018	2			Column Adapter Weldment	Ref
	030-1041-01	for models 230 & 630 (all)	2				

Always Specify Model & Serial Number