

Attention!

For OSHPD Regulated Installations, please go to www.midmark.com to download the appropriate OSHPD Pre-Approval and Installation documents.

Unpacking Notes

- **Concealed Damage.** If there should be damage of such nature that it could not be detected until the goods were unpacked, have the Transportation Company's Agent come AT ONCE and inspect them. Require them to give you a "concealed" bad order report stating the condition of the goods when examined. It is their duty to do this and you should INSIST upon it.
- **If the Above Instructions are Complied With,** we shall cheerfully render all possible assistance in establishing claims against the Transportation Company for loss and damage in transit.
- **We Do Not Accept Goods Returned For Credit, Exchange, Repairs,** or for any other reason, unless you have first communicated with us and secured our written permission.

Installation

NOTE

The Dressing Nook and Instrument Panel are mounted to the wall using steel mounting brackets (provided with units). Wall anchors and drywall screws are also provided to secure the Dressing Nook mounting brackets to the wall. Figures 1 thru 5 are suggested mounting configurations and locations only.

1. Using the customer or room layout drawing, determine where the Dressing Nook and / or Instrument Panel are to be located. See Figure 1 for the suggested room layout.
2. Check clearance required for placing a side chair beside the Dressing Nook. A minimum of 24 in. (61 cm) is required for the 129 / 429 Side Chair. See Figure 2.

NOTE

If the locations of the units differ from what is shown in Figures 2, then bracket locations shown in Figure 3 must be changed accordingly.

3. Measure and mark the mounting locations of the mounting brackets on the wall. See Figure 3.
4. Locate and mark the location of studs in reference to mounting bracket. An electronic stud finder may be used.

NOTE

This note applies to steps 5 thru 7. When securing mounting brackets to a wall with metal studs, use sheet metal screws in place of drywall screws and when securing mounting brackets to a masonry / concrete block wall, use masonry screws in place of drywall screws and wall anchors.

5. Place a mounting bracket in position on wall and mark the locations of all fasteners. Remove the mounting bracket and drill a 3/8 in. hole where all wall anchors are to be used; four holes per mounting bracket if a wall stud is not located and three holes per mounting bracket if a wall stud is located.
6. Install a wall anchor in each hole. Install a screw in each wall anchor and tighten far enough to secure the wall anchor in place. Then, remove all screws from the wall anchors.



EQUIPMENT ALERT

The 61-7/16 in. (156 cm) minimum dimension between the Dressing Nook mounting brackets is critical for installation.

7. Attach mounting brackets to the wall using wall anchor screws. Level each mounting bracket before securing to the wall.
8. Test each mounting bracket for strength.
9. Mount instruments to the Instrument Panel using 3/4 in. (1.9 cm) long wood screws. See Figures 4 and 5 for suggested instrument locations.
10. Lift the Dressing Nook and / or Instrument Panel onto their mounting brackets.

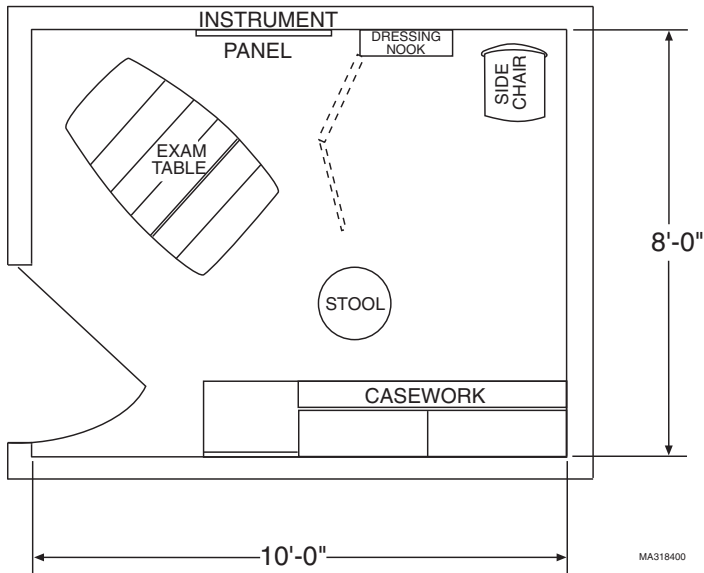


FIGURE 1. SUGGESTED ROOM LAYOUT

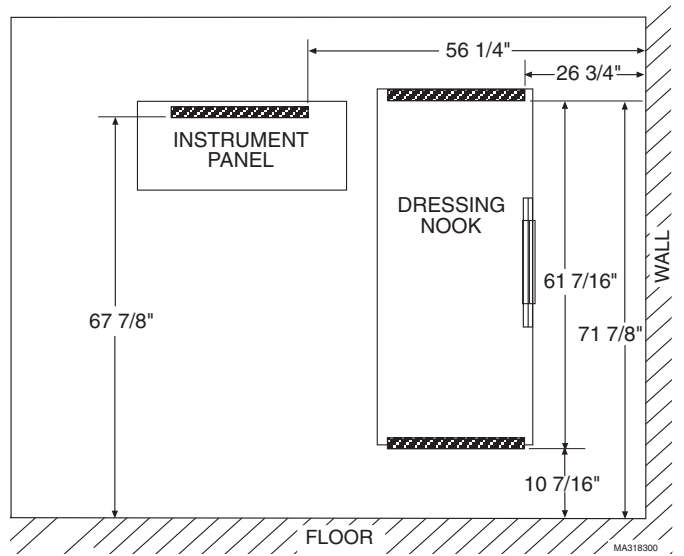


FIGURE 3. MOUNTING BRACKET POSITIONING ON WALL

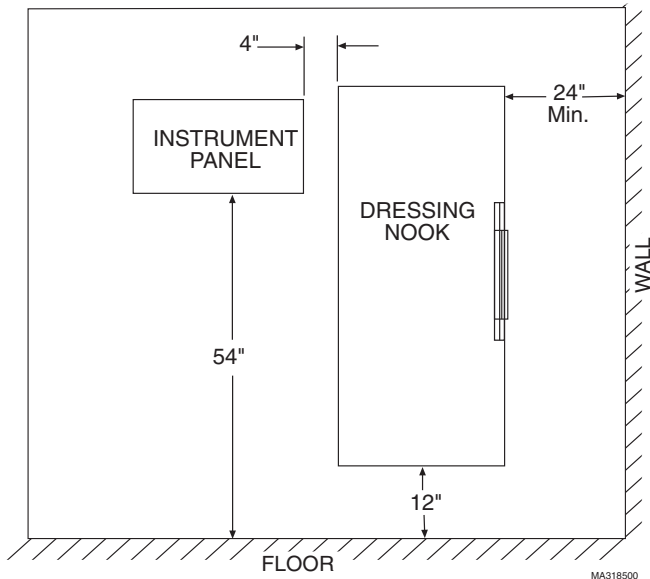


FIGURE 2. DRESSING NOOK / INSTRUMENT PANEL POSITIONING ON WALL

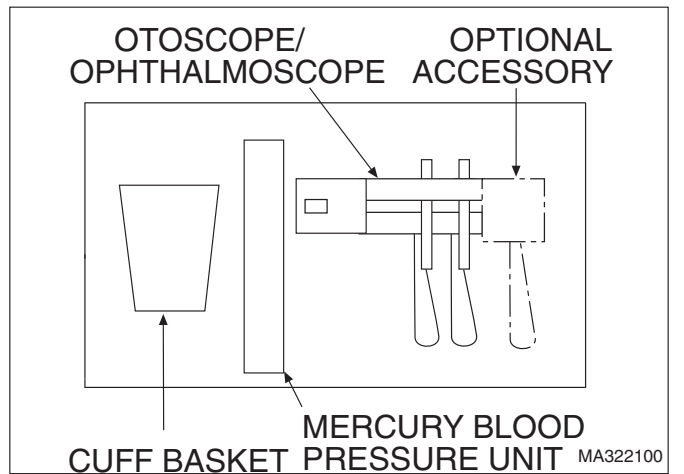


FIGURE 4. SUGGESTED INSTRUMENT LOCATION FOR A 34" X 19" INSTRUMENT PANEL

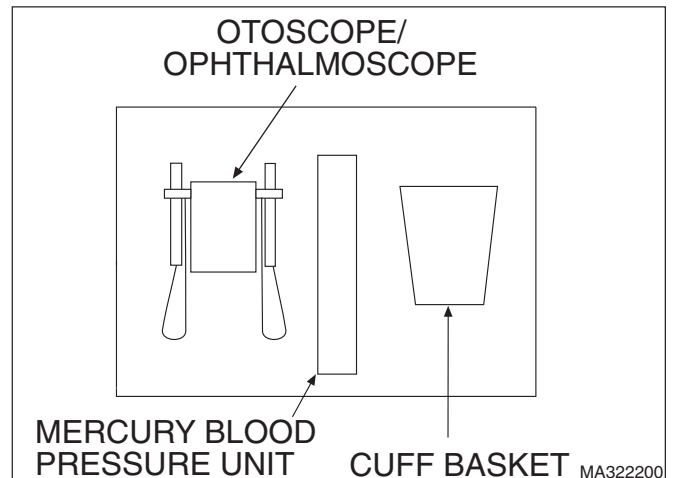
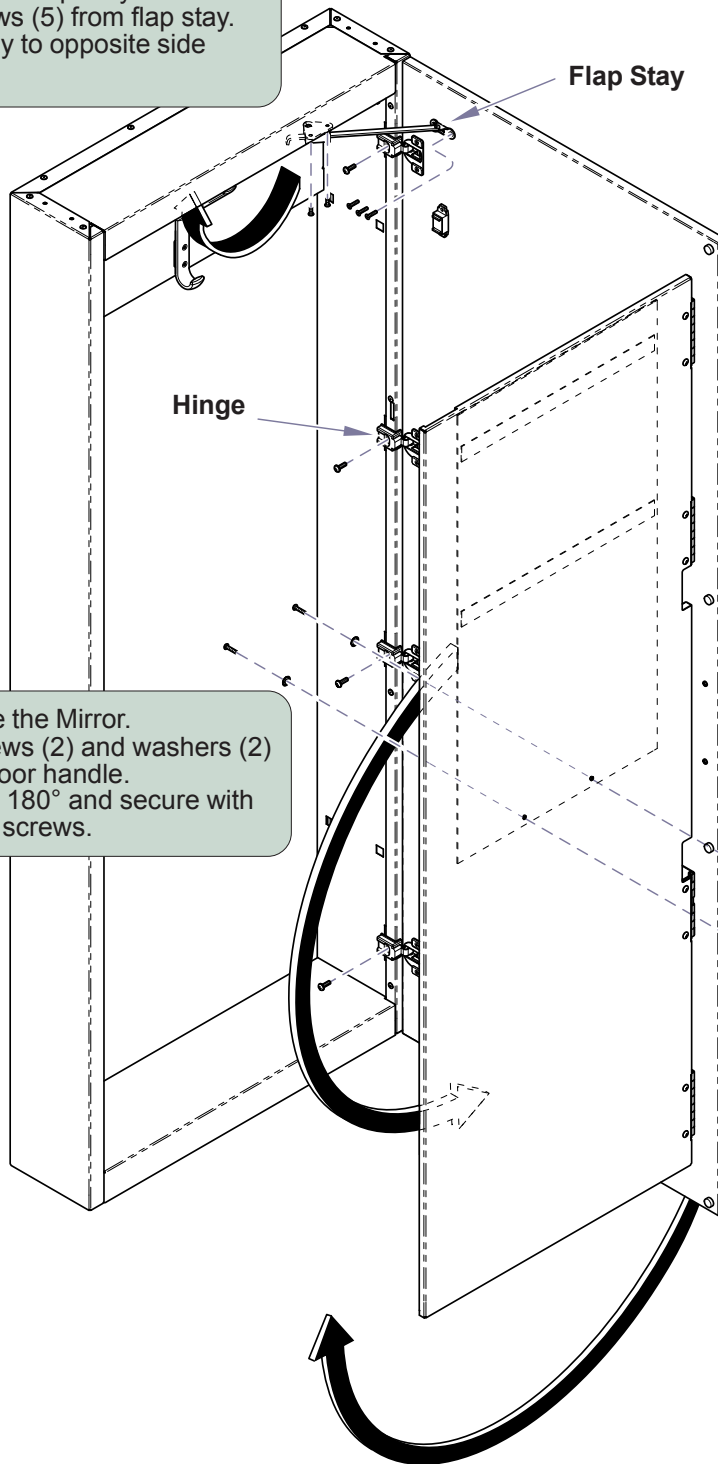


FIGURE 5. SUGGESTED INSTRUMENT LOCATION FOR A 30" X 19" INSTRUMENT PANEL

DOOR REVERSAL PROCEDURE

Step 2: Remove Flap Stay.

- A) Remove screws (5) from flap stay.
- B) Mount flap stay to opposite side of cabinet.



Step 1: Rotate the Mirror.

- A) Remove screws (2) and washers (2) from mirror door handle.
- B) Rotate mirror 180° and secure with washers and screws.

Step 3: Rotate the Door.

- A) Remove screws (4) from door hinge.
- B) Rotate Door 180°.
- C) Secure hinges to other side of cabinet.
- D) Mount flap stay to door.

MIDMARK®

Midmark Corporation, Versailles, Ohio 45380 U.S.A.
937-526-3662 TELEX 288007 FAX 937-526-5542

003-0784-00 Rev. G (3/10)