

## 9A198001 ROUND HEADREST

## 9A199001 SPECIAL PROCEDURES HEADREST

### KIT COMPONENTS

Part Number	Description	Qty.
9A198001	Round Headrest .....	1
or		
9A199001	Special Procedures Headrest.....	1
003-0940-00	Installation Instructions.....	1

### INTRODUCTION

To provide access to a patient's head during examinations / procedures.

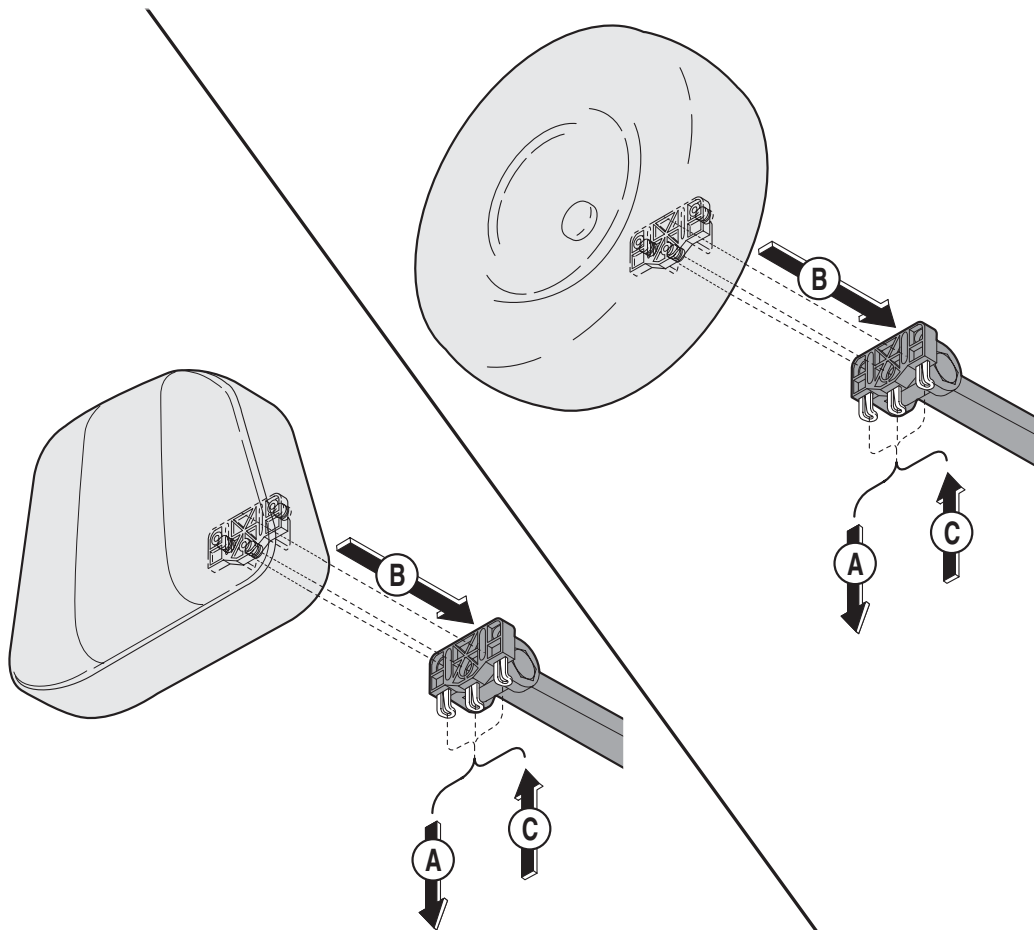
#### NOTE

The 9A198001 and 9A199001 will not adapt to the 9A221001 One Arm Wrist Rest Assembly.

### REQUIRED TOOLS

None

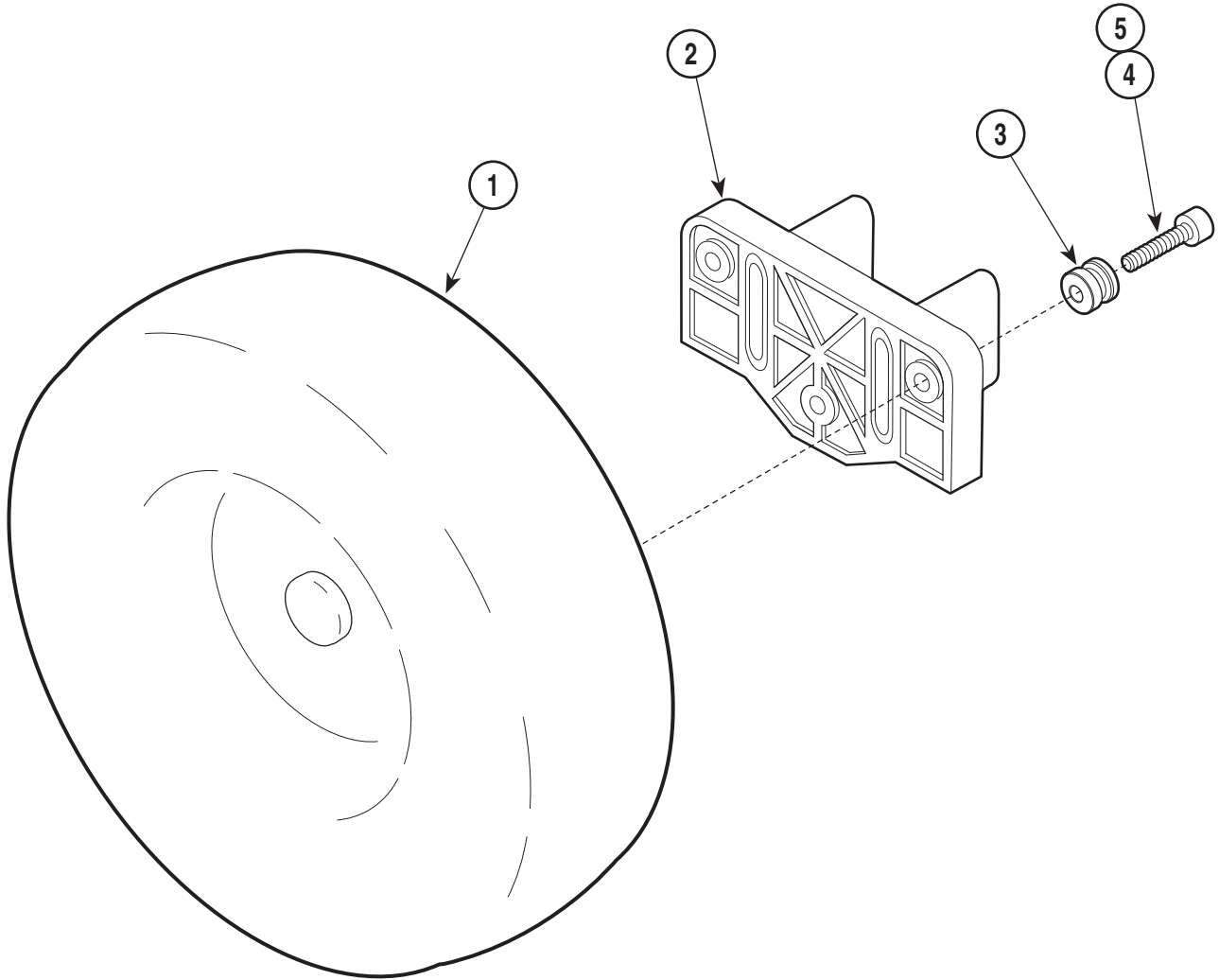
### INSTALLATION



MA442000

- A. Pull downward on slide bars and remove existing headrest.
- B. Place desired headrest on pivot mount.
- C. Push upward on slide bars to lock headrest to pivot mount.

# Round Headrest

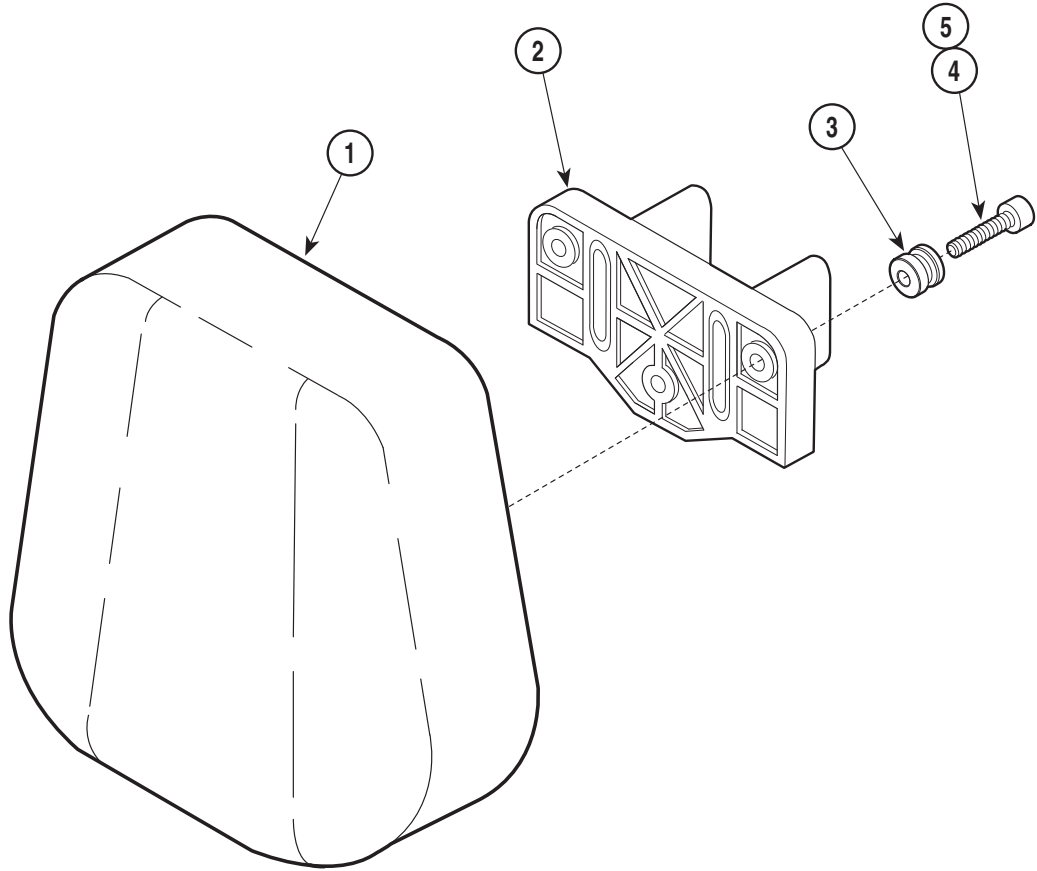


MA270200

Item	Part No.	Description	Qty.	Item	Part No.	Description	Qty.
	<del>9A198001</del>	Round Headrest Assembly		2	•053-0582-00	• Headboard Pillow Mount .....	1
		(Includes Items 1 thru 7) <b>(N.L.A)</b> .....	1	3	•042-0137-00	• Upholstered Latch Stud .....	3
1	•028-0404-00	• Upholstered Headrest - Round		4	•040-0010-13	• Screw .....	3
		(Specify Color) .....	1	5	•042-0024-00	• Loctite .....	AR

Always Specify Model & Serial Number

# Special Procedure Headrest



MA270100

Item	Part No.	Description	Qty.	Item	Part No.	Description	Qty.
1	<del>9A199001-xxx</del>	Special Procedure Headrest Assm. (Inc. Items 1 thru 7 {See Chart [***]}) .....	1	2	• 053-0582-00	• Headboard Pillow Mount .....	1
	• 028-0405-xxx	• Upholstered Headrest - Special Procedure {See Chart [XXX]} .....	1	3	• 042-0137-00	• Upholstered Latch Stud .....	3
				4	• 040-0010-13	• Screw .....	3
				5	• 042-0024-00	• Loctite .....	AR

Always Specify Model & Serial Number