



9A335 Installation Guide Table Transportation Cart

Intended Use:
Transport Midmark 630 / Ritter 230 TABLES ONLY.

Components:
Cart 1

Special Tools:
none

Tools Required:
1/2" wrench 1

Step 1: To unpack, remove carton and screws attaching cart to skid. (See Fig. 1)

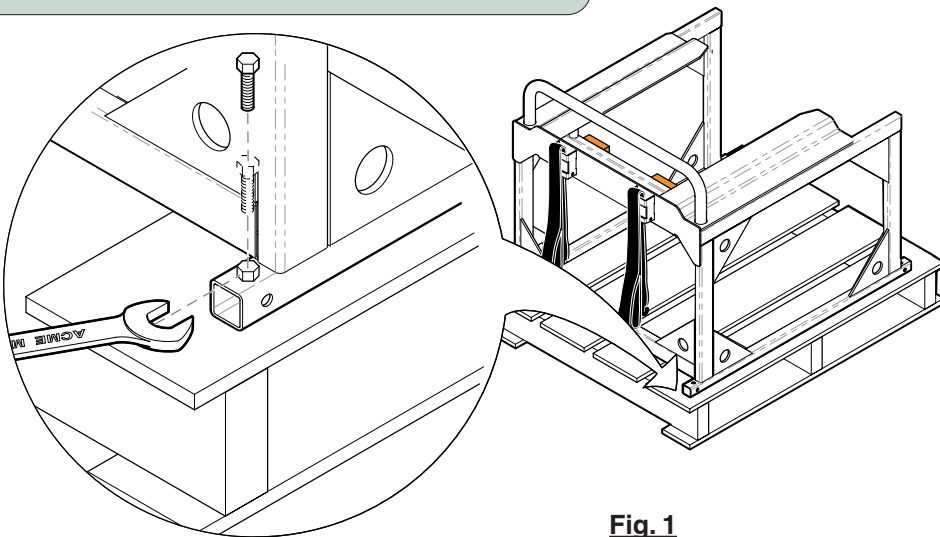
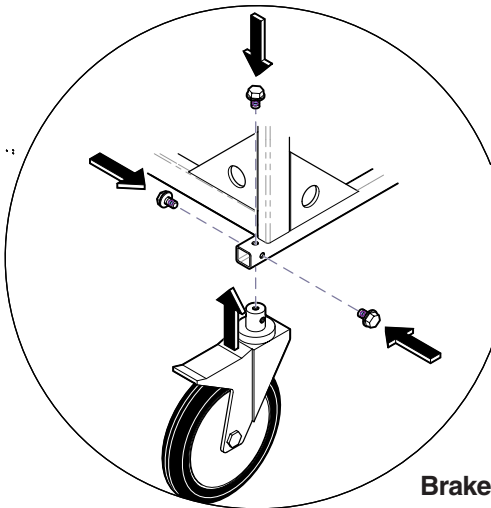



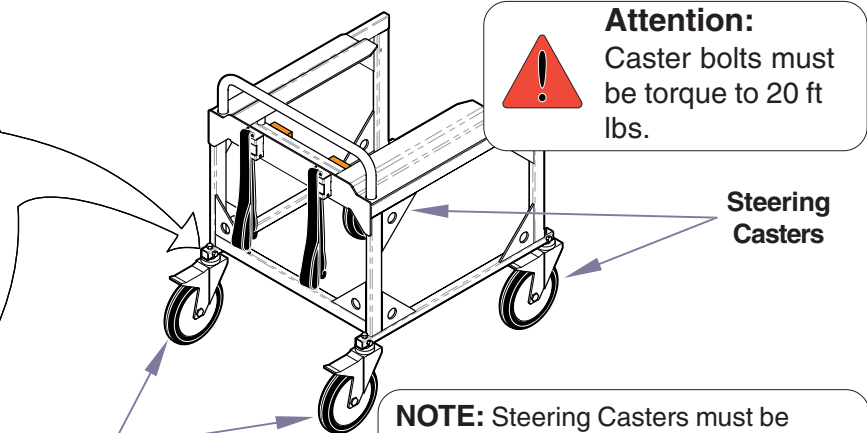
Fig. 1

Step 2: Place casters into designated holes, and insert three bolts. Bolts must have factory lock adhesive on threads, and be torqued to 20 ft lbs. (Fig. 2).



Brake Casters

Attention:
 Caster bolts must be torqued to 20 ft lbs.



Steering Casters

NOTE: Steering Casters must be placed on front/opened end of cart. Conversely, the braking casters must be assembled on the rear/closed end.

Fig. 2