



Chair Arms / Arm Upholstery

[9A396 / 9A397 / 9A398 / 9A399 / 002-1306-0x]

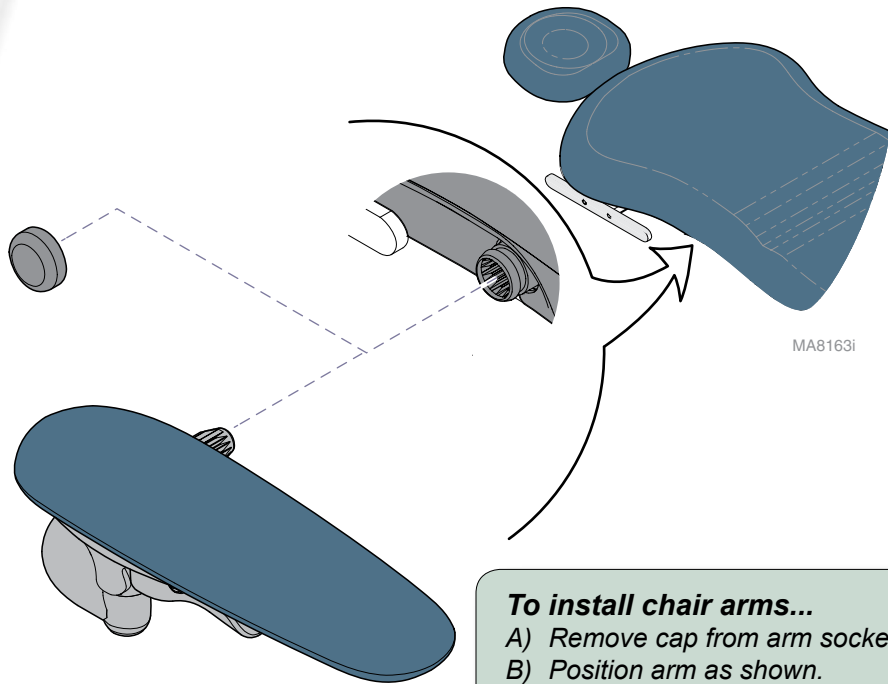
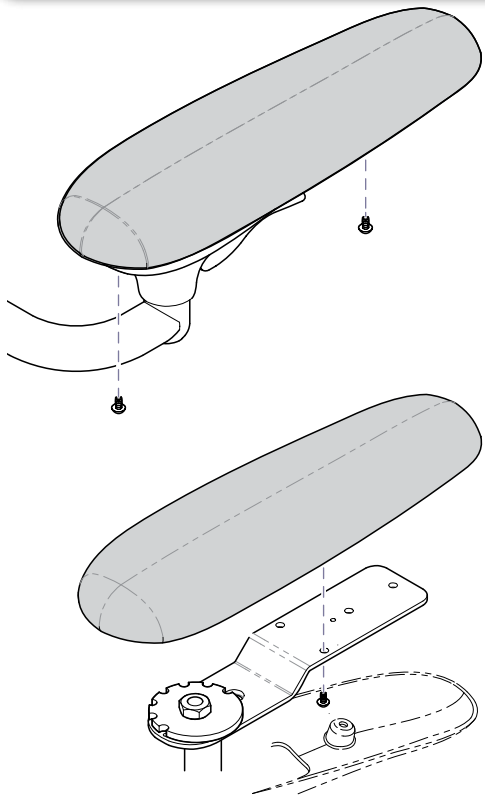
Contents:
Installation 1
Exploded Views 2

Special Tools:
none

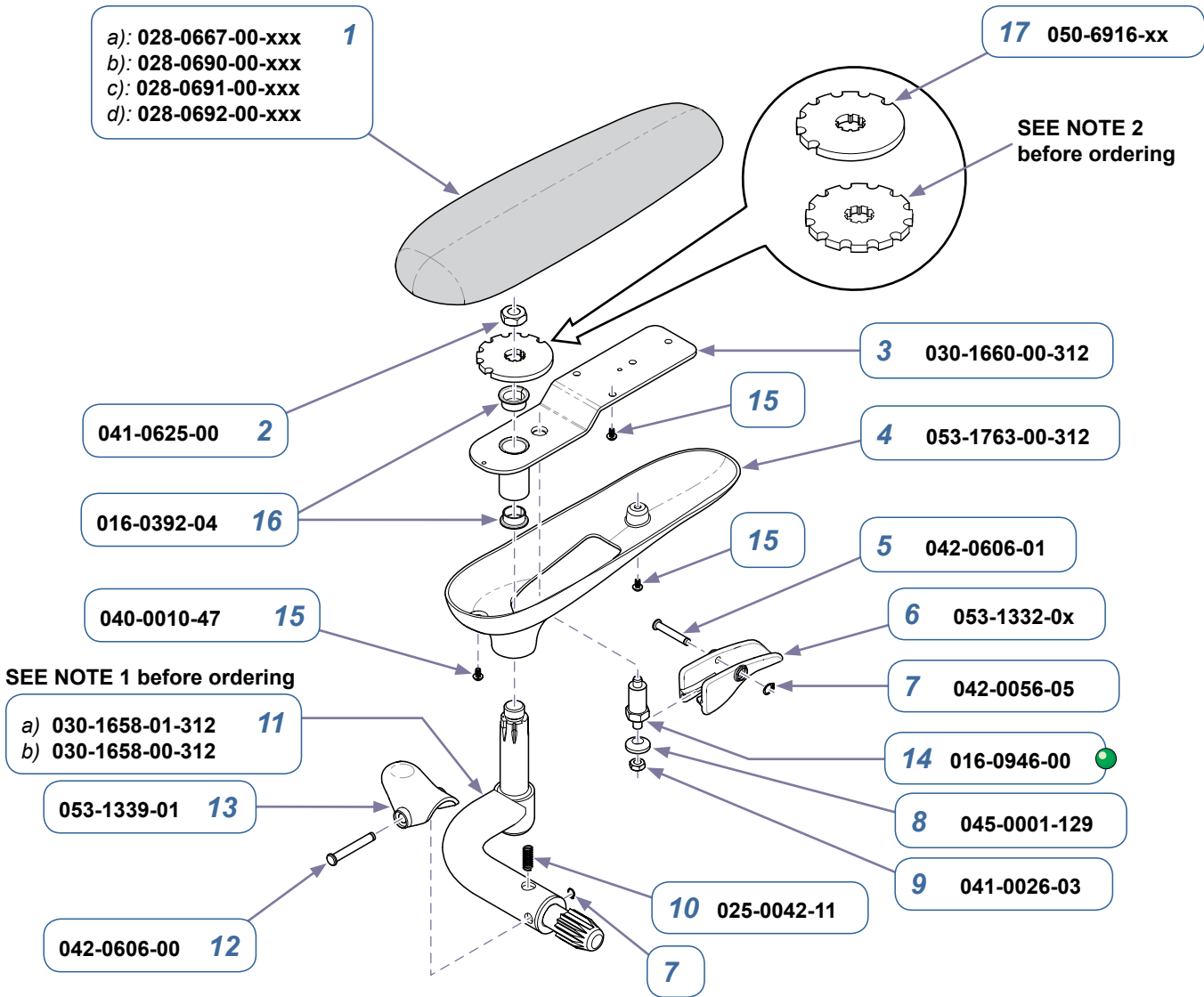
Intended Use:
To support the patient's arms during procedures.

Restrictions:
Do not exceed maximum weight rating for the chair arms.
Maximum weight rating (each arm): 250 lbs (113 kg)

- To replace chair arm upholstery...**
- A) Remove two screws from bottom cover.
 - B) Push bottom cover back to disengage.
 - B) Remove four screws & upholstered pad.
 - C) Position new upholstery / secure with four screws.
 - D) Position bottom cover / secure with two screws.



- To install chair arms...**
- A) Remove cap from arm socket.
 - B) Position arm as shown.
 - C) Insert arm into socket until it locks into place.



a): 028-0667-00-xxx **1**
 b): 028-0690-00-xxx
 c): 028-0691-00-xxx
 d): 028-0692-00-xxx

17 050-6916-xx

SEE NOTE 2
before ordering

041-0625-00 **2**

3 030-1660-00-312

016-0392-04 **16**

15

4 053-1763-00-312

040-0010-47 **15**

15

5 042-0606-01

SEE NOTE 1 before ordering

a) 030-1658-01-312 **11**
 b) 030-1658-00-312

6 053-1332-0x

053-1339-01 **13**

7 042-0056-05

042-0606-00 **12**

14 016-0946-00

8 045-0001-129

9 041-0026-03

10 025-0042-11

7

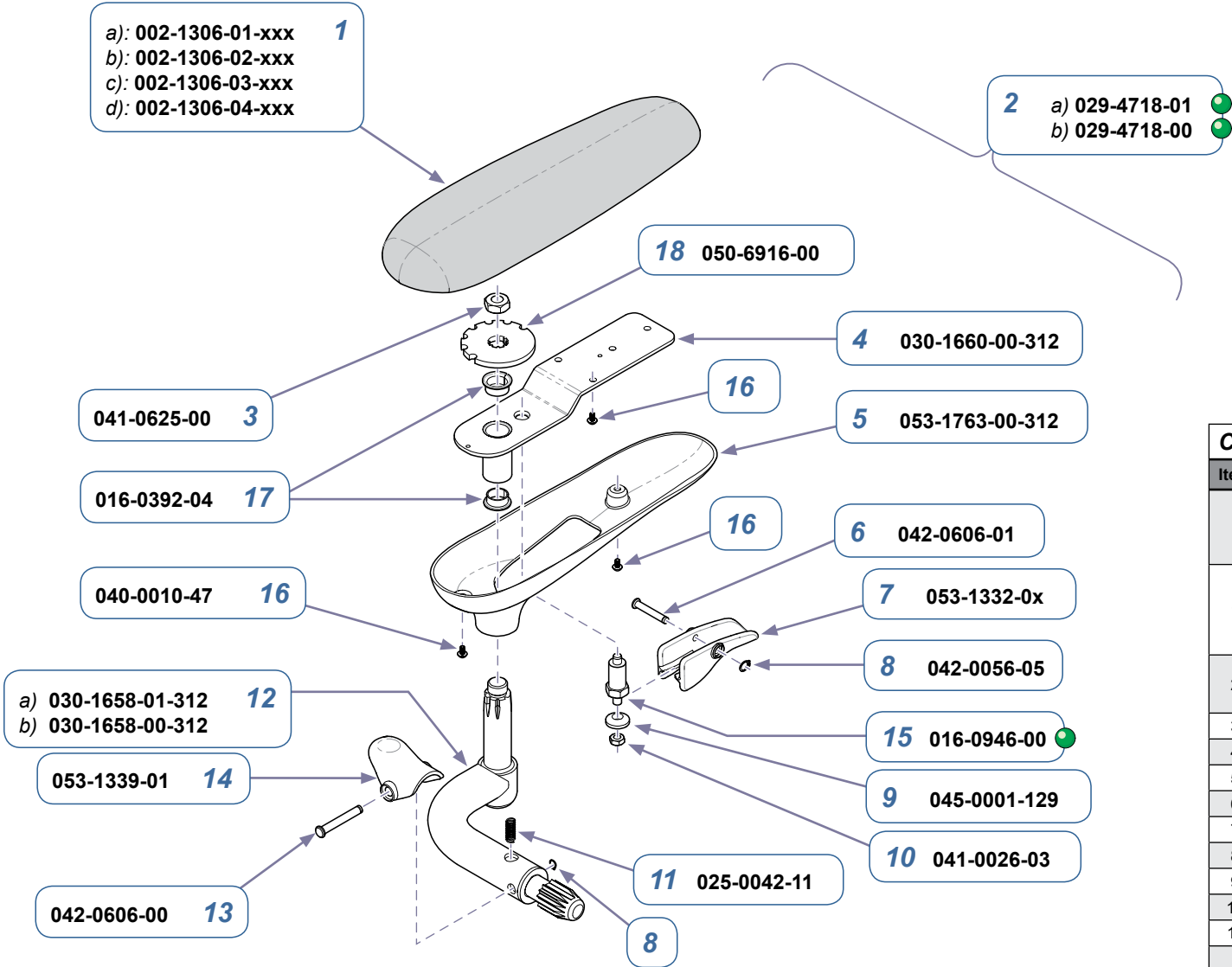
MA9986i

NOTE 1: When ordering item 11, check item 17. If item 17 is the older style, you **must** order items 11 **and** 17.

NOTE 2: Older style (*notches all the way around*) is no longer available. To replace, you **must** order items 11 **and** 17.

Chair Arms		
Item	Description	Qty.
	9A396001-xxx w/Premium Upholstery 9A397001-xxx w/Premium Upholstry-Cal 133 9A398001-xxx w/Ultra-Premium Upholstery 9A399001-xxx w/Ultra-Premium Upholstery-Cal133	Ref
1	Upholstered Arm Pad a) Premium Upholstery b) Premium Uph - Cal 133 c) Ultra-Premium Upholstery d) Ultra- Premium Uph-Cal 133	1
2	Nut (apply Loctite 242)	1
3	Arm Weldment	1
4	Bottom Cover	1
5	Clevis Pin	1
6	Pivot Handle	1
7	Retaining Ring	2
8	Spherical Washer	1
9	Nut	1
10	Spring	1
11	Shaft Weldment a) LH (shown exploded) b) RH	1
12	Clevis Pin	1
13	Retainer Clip	1
14	Indexing Plunger	1
15	Screw (#10-24 x 3/8")	6
16	Flange Bearing	2
17	Lock Plate	1

Serial Numbers / Dates: Units built before 01-10-2010



MA9986.11

Chair Arms

Item	Description	Qty.
	9A396001-xxx w/Premium Upholstery 9A397001-xxx w/Premium Upholstery-Cal 133 9A398001-xxx w/Ultra-Premium Upholstery 9A399001-xxx w/Ultra-Premium Upholstery-Cal133	Ref
1	Upholstered Arm Rest (only includes 1 pad) a) Premium Upholstery b) Premium Uph - Cal 133 c) Ultra-Premium Upholstery d) Ultra- Premium Uph-Cal 133	1
2	Chair Arm Mechanism (includes items 3 thru 18) a) LH (shown exploded) b) RH	1
3	• Nut (apply Loctite 242)	1
4	• Arm Weldment	1
5	• Bottom Cover	1
6	• Clevis Pin	1
7	• Pivot Handle	1
8	• Retaining Ring	2
9	• Spherical Washer	1
10	• Nut	1
11	• Spring	1
12	• Shaft Weldment a) LH (shown exploded) b) RH	1
13	• Clevis Pin	1
14	• Retainer Clip	1
15	• Indexing Plunger	1
16	• Screw (#10-24 x 3/8")	6
17	• Flange Bearing	2
18	• Lock Plate	1

Serial Numbers / Dates:

Units built after
01-10-2010