



Foot Actuator Replacement [002-1074-0x]

Applies to kits:
Foot Actuator Kit (complete)
Foot Actuator Kit (w/o motor)

Special Tools:
bungee cord

CAUTION
Always disconnect power to chair before removing covers or performing any service procedure.

Step 1: Remove bottom screws from inner shrouds.

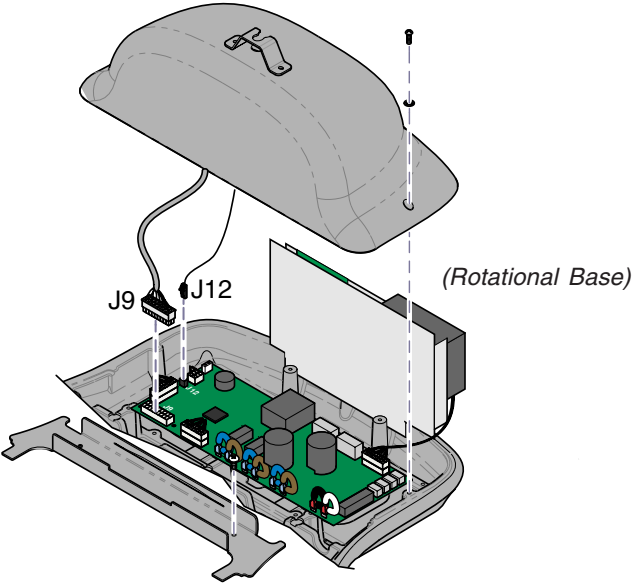
Step 2: Stretch bungee cord across top of base column (under seat).

Note: It may be necessary to run Tilt UP function to route bungee cord under seat section.

Step 3: Lift shrouds, then attach bungee cord hooks under shrouds on both sides.

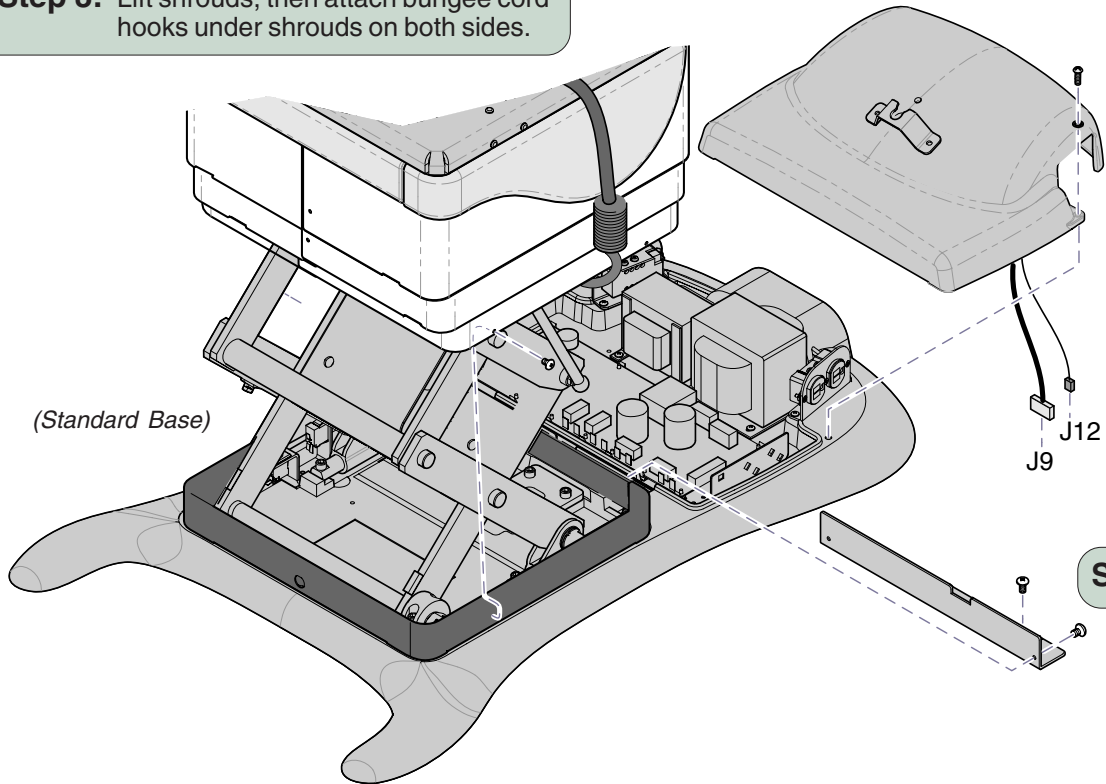
Step 4: Remove two screw(s) and partially separate cover.

Note: You must perform Step 5 before cover can be completely removed.

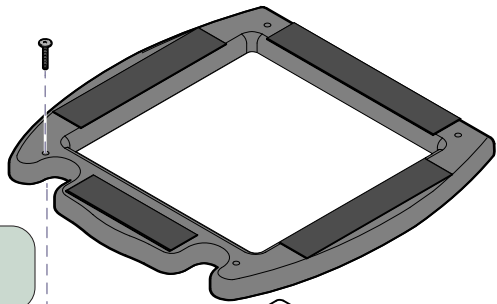


Step 5: Tag / disconnect wire harnesses from J9 & J12 on main PC Board.

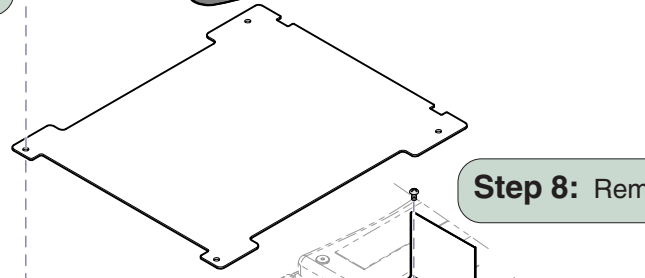
Step 6: Remove wire harness cover.



Step 7: Remove seat board and support plate.

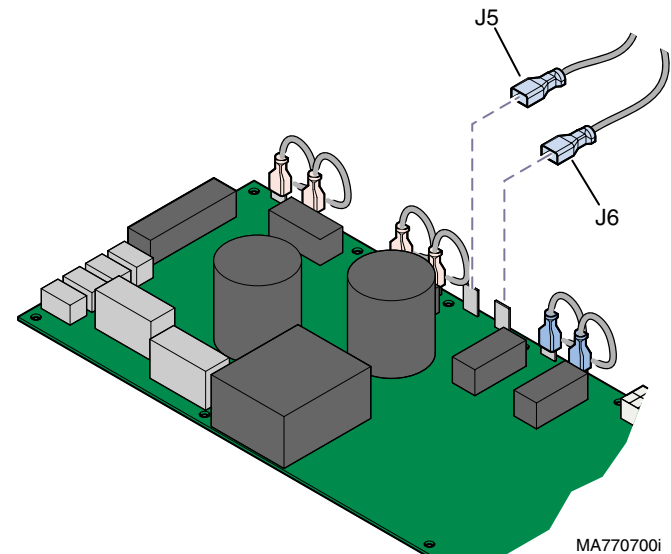
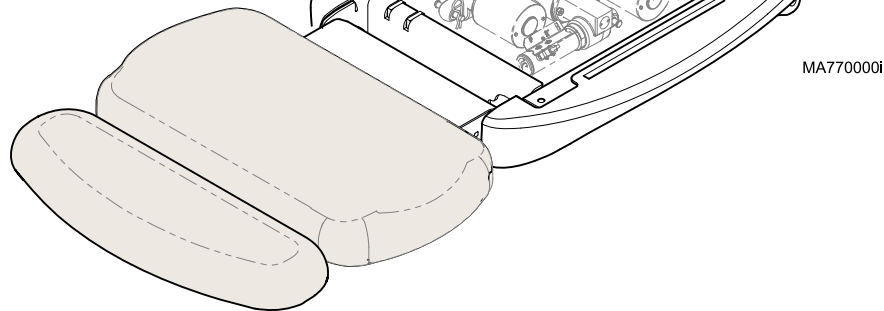


Step 8: Remove harness cover.



Step 9: Tag / disconnect foot actuator wires from main PC board. Pull actuator wire up thru chair.

Note: Remove cable ties & wire clamps as necessary.



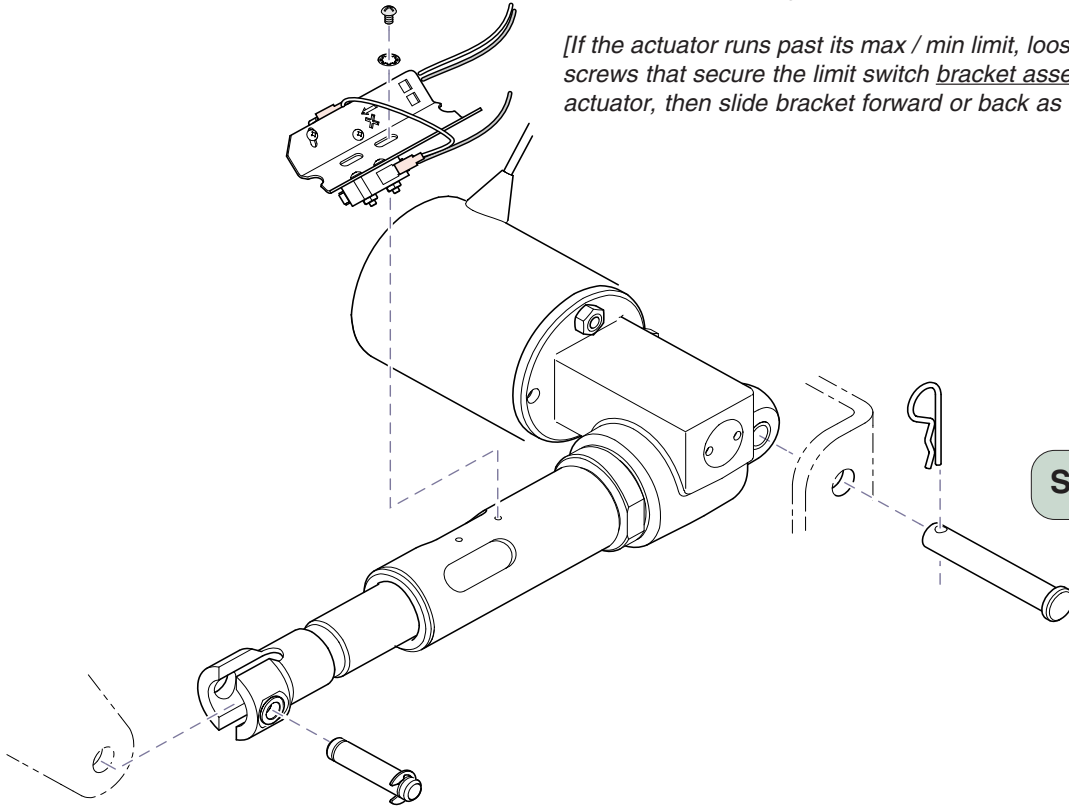
If replacing only the motor / coupler,
it is not necessary to remove the limit switch bracket.

Step 11: Remove foot limit switch bracket assembly.

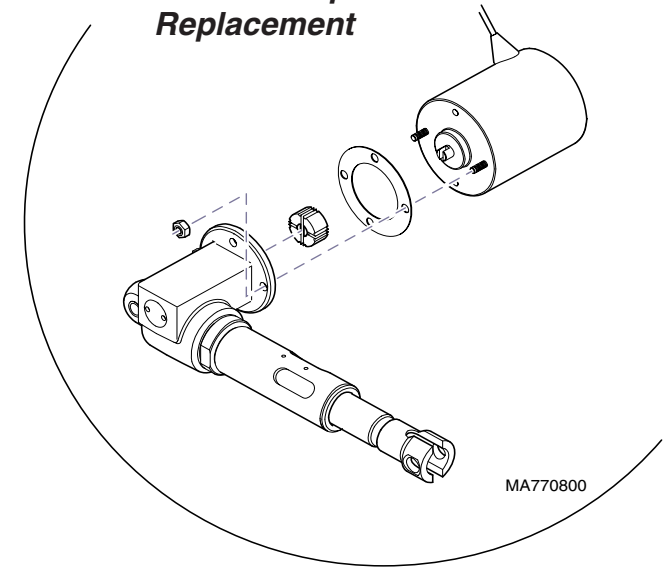
Note: Remove cable ties & wire clamps as necessary.

The foot limit switch adjustment is critical to ensure proper operation (tolerance: 0.030").
Do not attempt to adjust the individual switches.

[If the actuator runs past its max / min limit, loosen the screws that secure the limit switch bracket assembly to the actuator, then slide bracket forward or back as necessary.]



Motor / Coupler Replacement



Step 12: Remove clevis pin from motor-end of actuator.



CAUTION

When pin is removed, the foot section may fall.
Support foot section while performing this step.
Once pin is removed, allow foot section to swing down.

Step 13: Remove clevis pin from yoke-end of actuator.

To complete installation:

- Position / secure actuator with clevis pins.
- Install limit switch bracket assembly
- Connect wiring using illustrations as a guide.
- Replace cable ties & wire clamps as necessary.
- Reassemble all covers, shrouds, etc.