

PC Work Surface [9A363]

Contents:
 Installation 1
 Exploded View 7


Special Tools:
 none


Intended Use:
 To provide chair-mounted support for a laptop / tablet computer, or as an instrument tray.

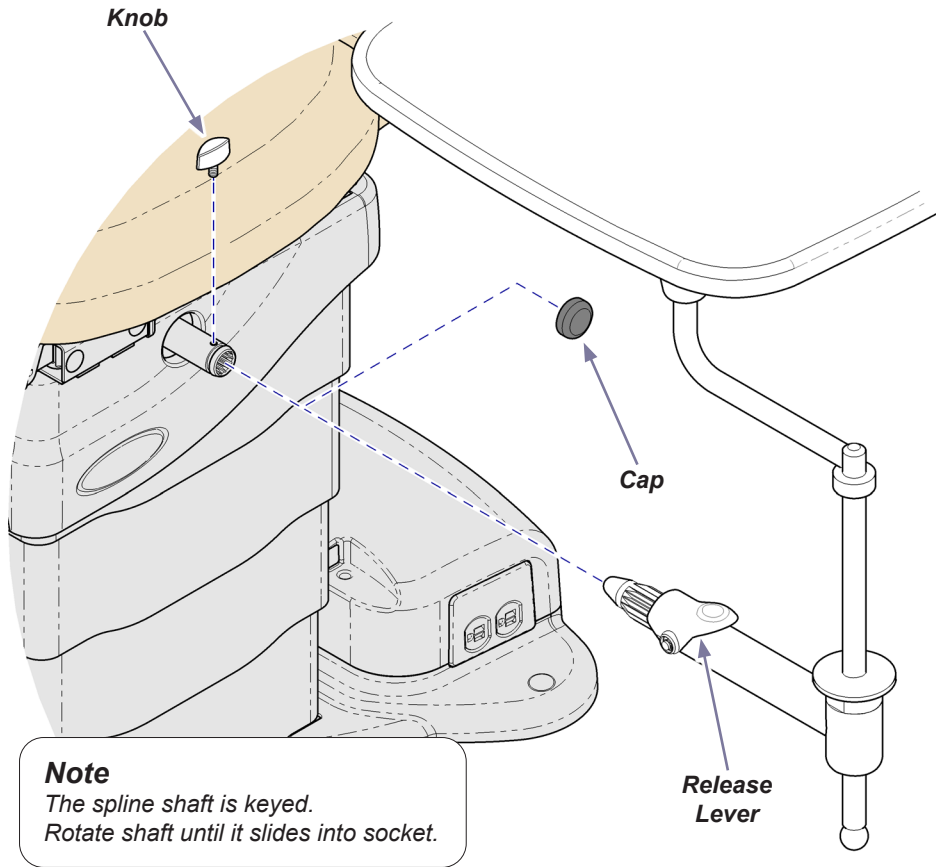
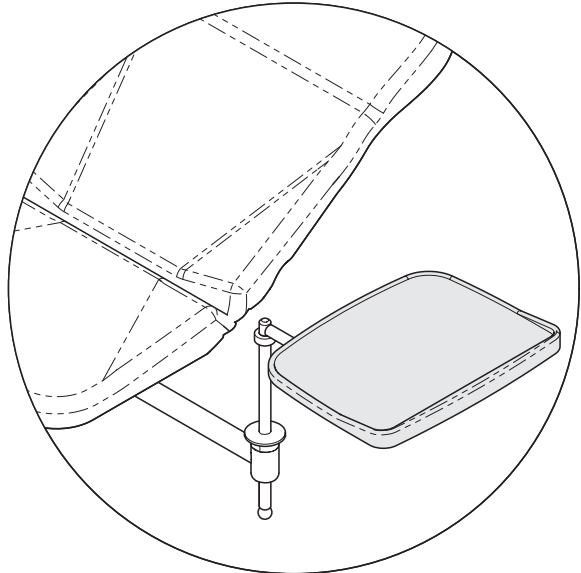
Restrictions:
 Do not exceed **15 lb (7 kg)** on support surface.

To install PC Work Surface on model 630...
 Position work surface assembly as shown.
 Insert into socket until release lever locks in place.

Note: If socket has locking knob or protective cap installed, remove it.

Caution
 Do not install on the same side as a 9A550002 - 9A550008 32" Chair Arm. Failure to do so may result in equipment damage or personal injury.

Caution
 Assure the tray is clear of the chair while the chair is being positioned to avoid potential trapping hazards. Failure to do so may result in equipment damage or personal injury.

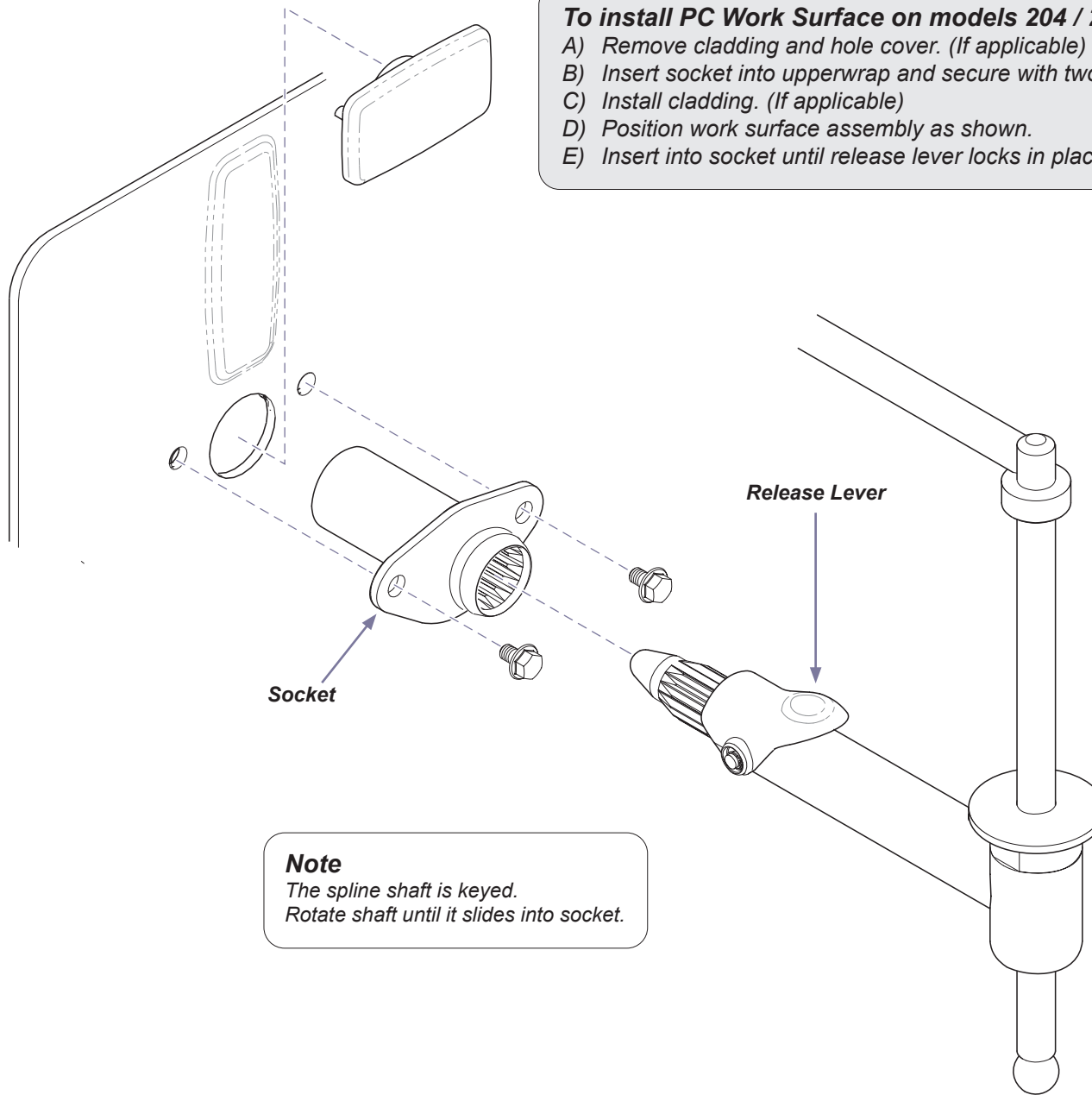


Note
 The spline shaft is keyed.
 Rotate shaft until it slides into socket.

DA9623i

To install PC Work Surface on models 204 / 222 / 223 / 604 / 622 / 623 / 625...

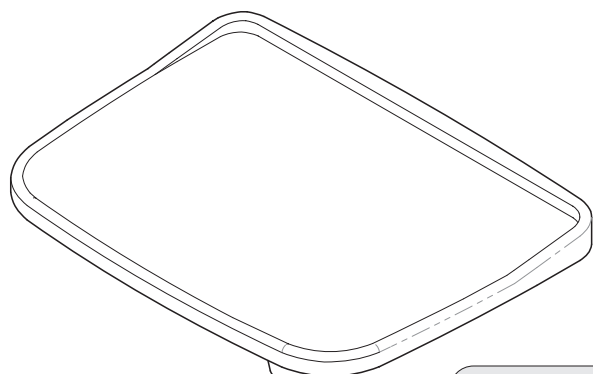
- A) Remove cladding and hole cover. (If applicable)
- B) Insert socket into upperwrap and secure with two hex screws.
- C) Install cladding. (If applicable)
- D) Position work surface assembly as shown.
- E) Insert into socket until release lever locks in place.



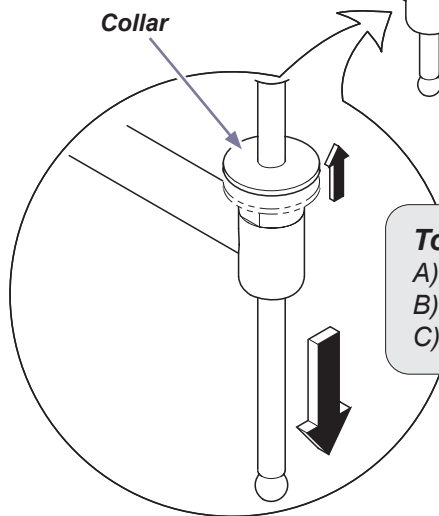
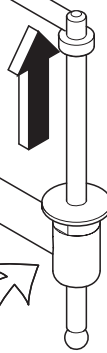
Note

The spline shaft is keyed.
Rotate shaft until it slides into socket.

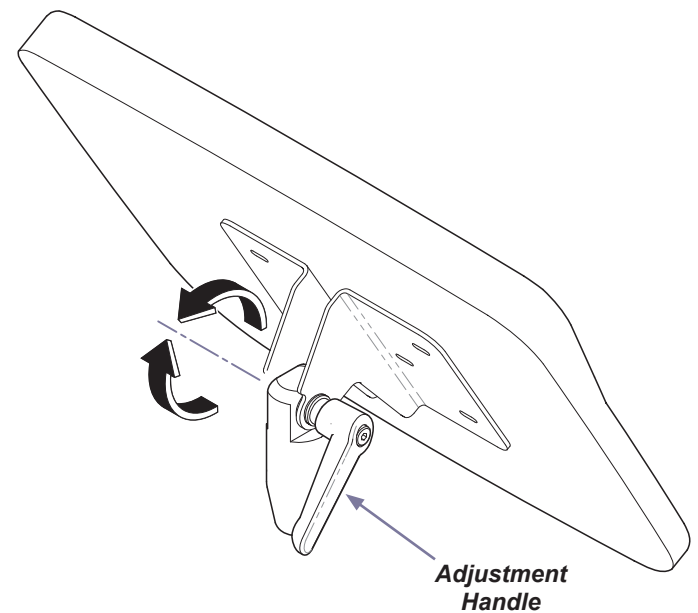
MA7806i



To raise work surface...
Slide work surface / bar assembly up to desired height.



To lower work surface...
A) While holding work surface in place, pull collar upward.
B) Slide work surface down to desired height.
C) Release collar to lock in position.



Adjustment Handle

To pivot work surface...
A) While holding work surface in place, loosen adjustment handle*.
B) Pivot work surface to desired position.
C) Tighten adjustment handle*.

*Note: If the adjustment handle contacts the work surface, pull out on the spring-loaded handle and rotate in the opposite direction.

MA7807i

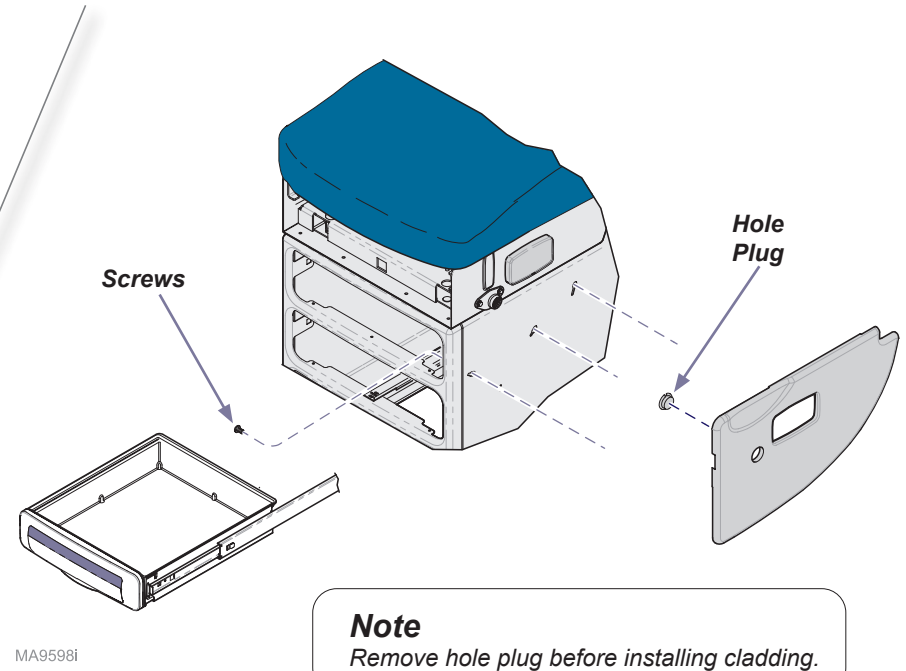
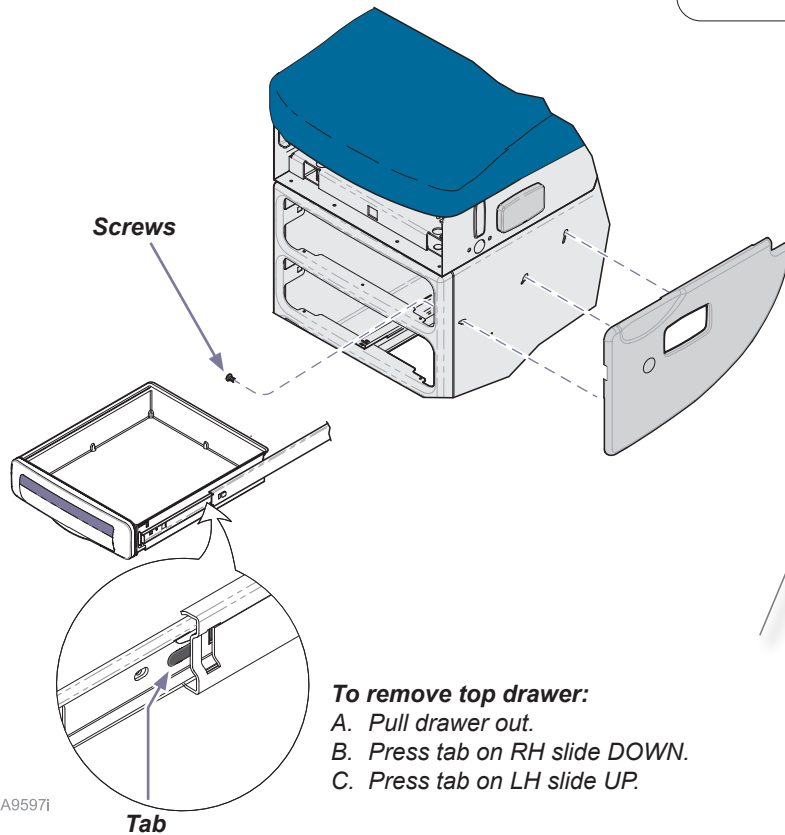
Cladding (604)

Removal / Installation

Note

Serial numbers prior to V1177445:
Cladding is secured with screws from inside cabinet.

Serial numbers V1177445 thru present:
Cladding is magnetic. It is **not** necessary to remove drawers / screws.



Note

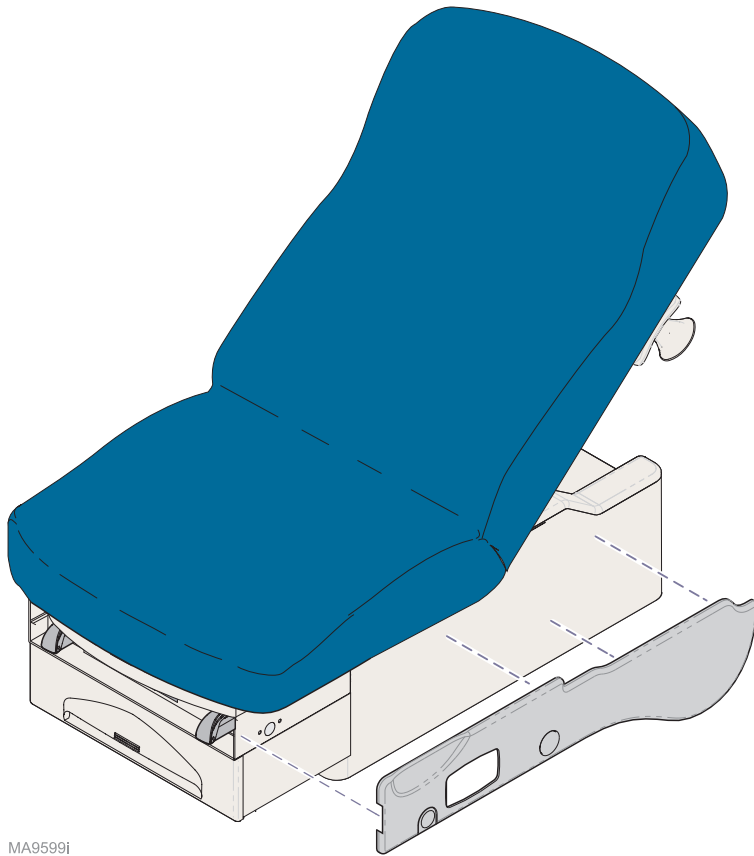
Remove hole plug before installing cladding.

Cladding (622 / 623)

Removal / Installation

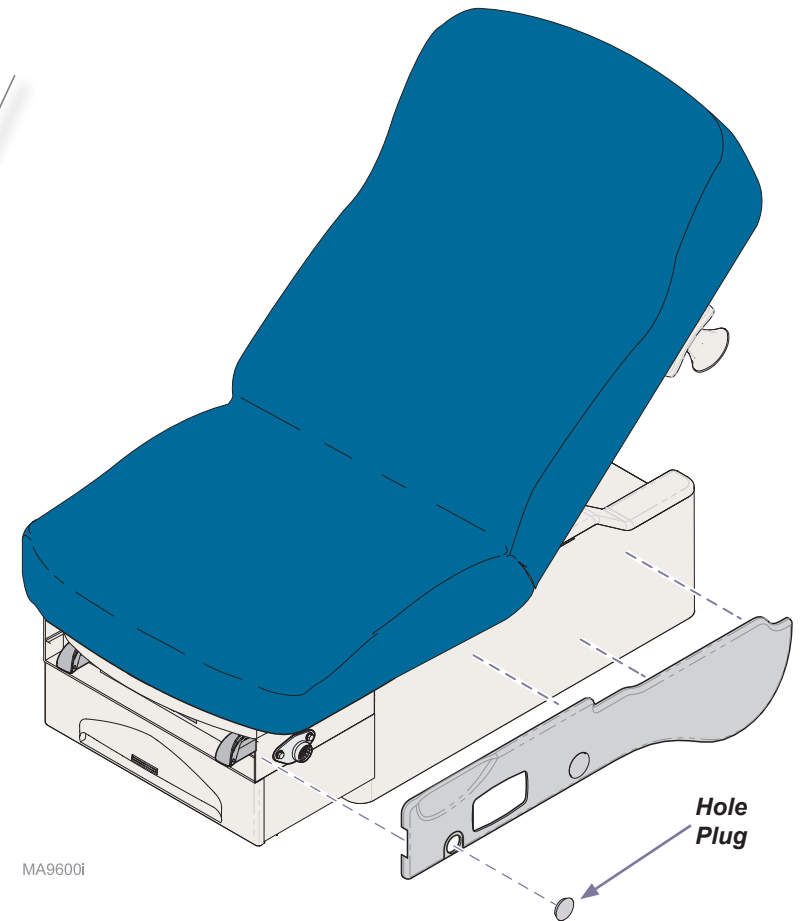
To remove cladding...

Cladding is magnetic, pull outward to remove.



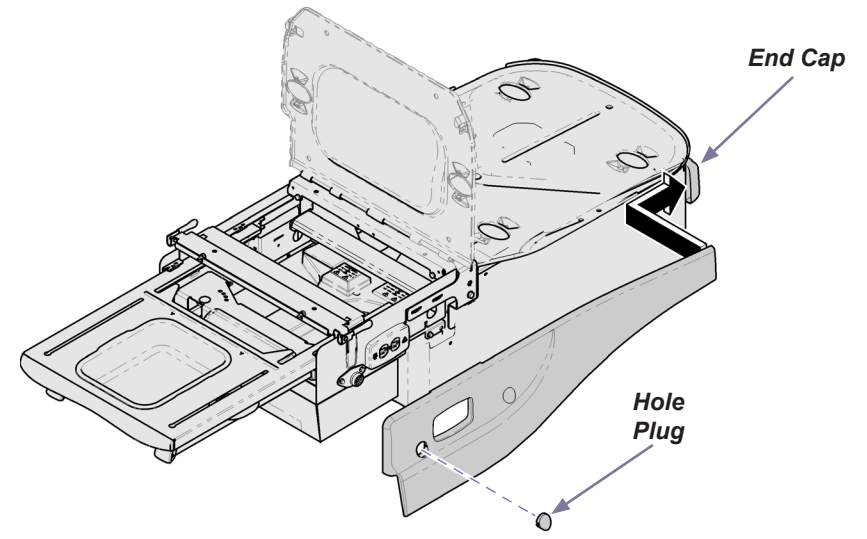
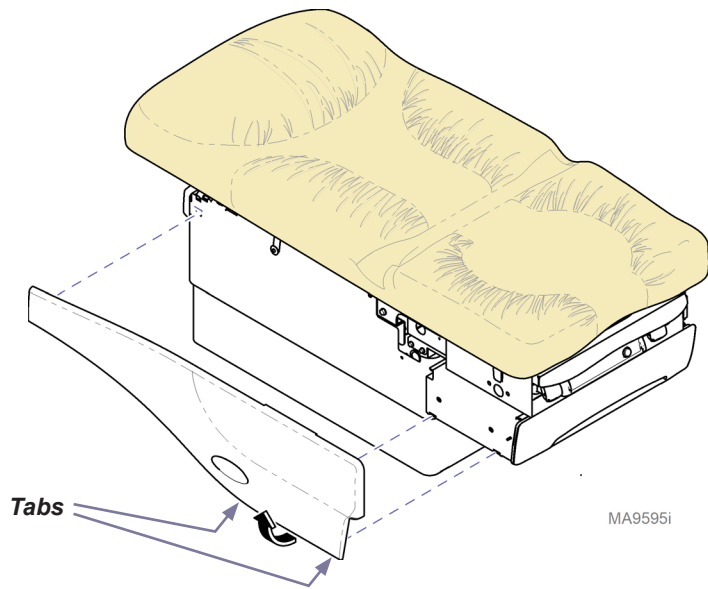
To install cladding...

Remove hole plug, then position cladding.



Cladding (625)

Removal / Installation



To remove cladding...

- A) Press two tabs.
- B) Pull bottom of cladding away from table.
- C) Lift cladding up to remove.

To install cladding...

- A) Remove hole plug from cladding.
- B) Insert tabs at head-end of cladding into end cap.
- C) Slide cladding over upperwrap.
- D) Pull bottom of cladding out, then push down on the top to engage the long tab onto top edge of upperwrap.
- E) Push bottom of cladding in, until two bottom tabs snap into place.

