



Storage Drawer [9A417]

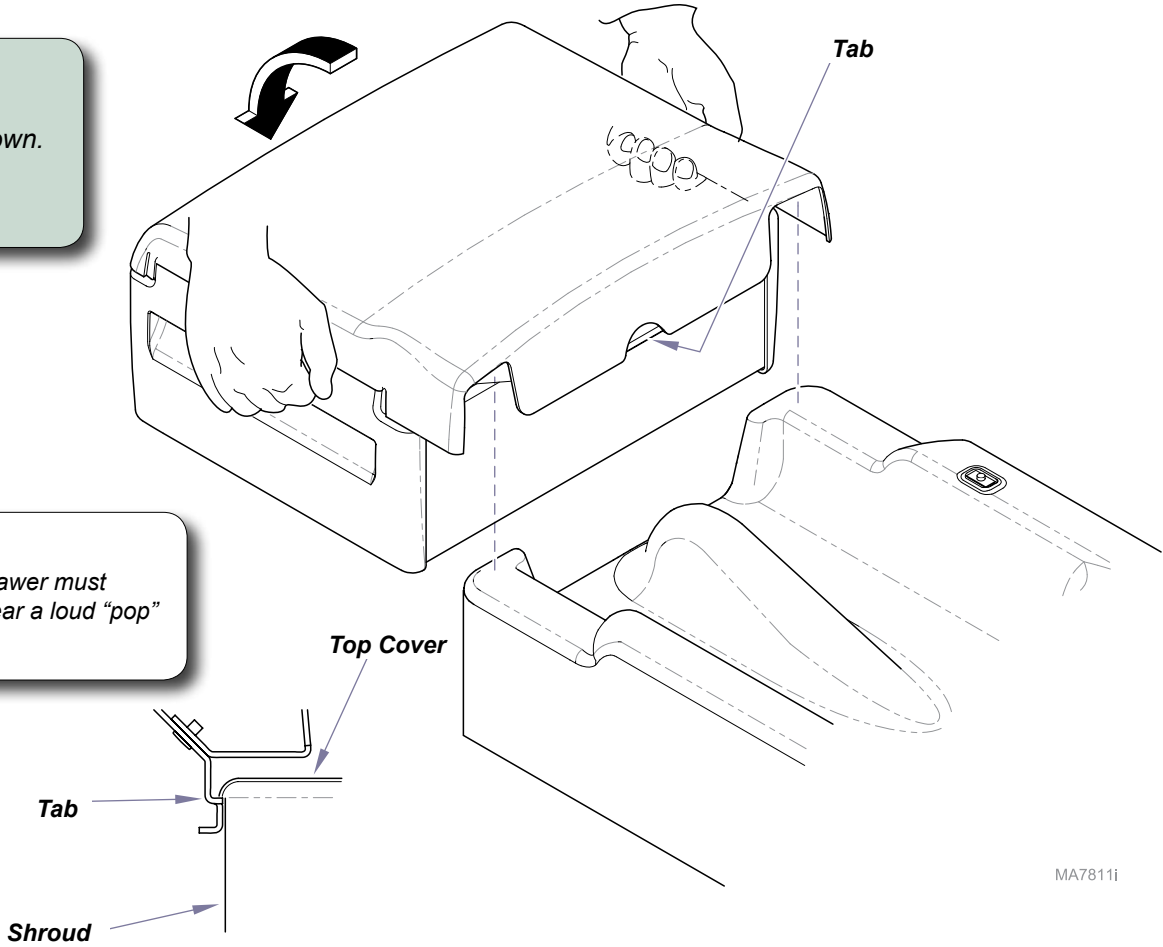
Components:
Storage Drawer Assy.....1

Special Tools:
none

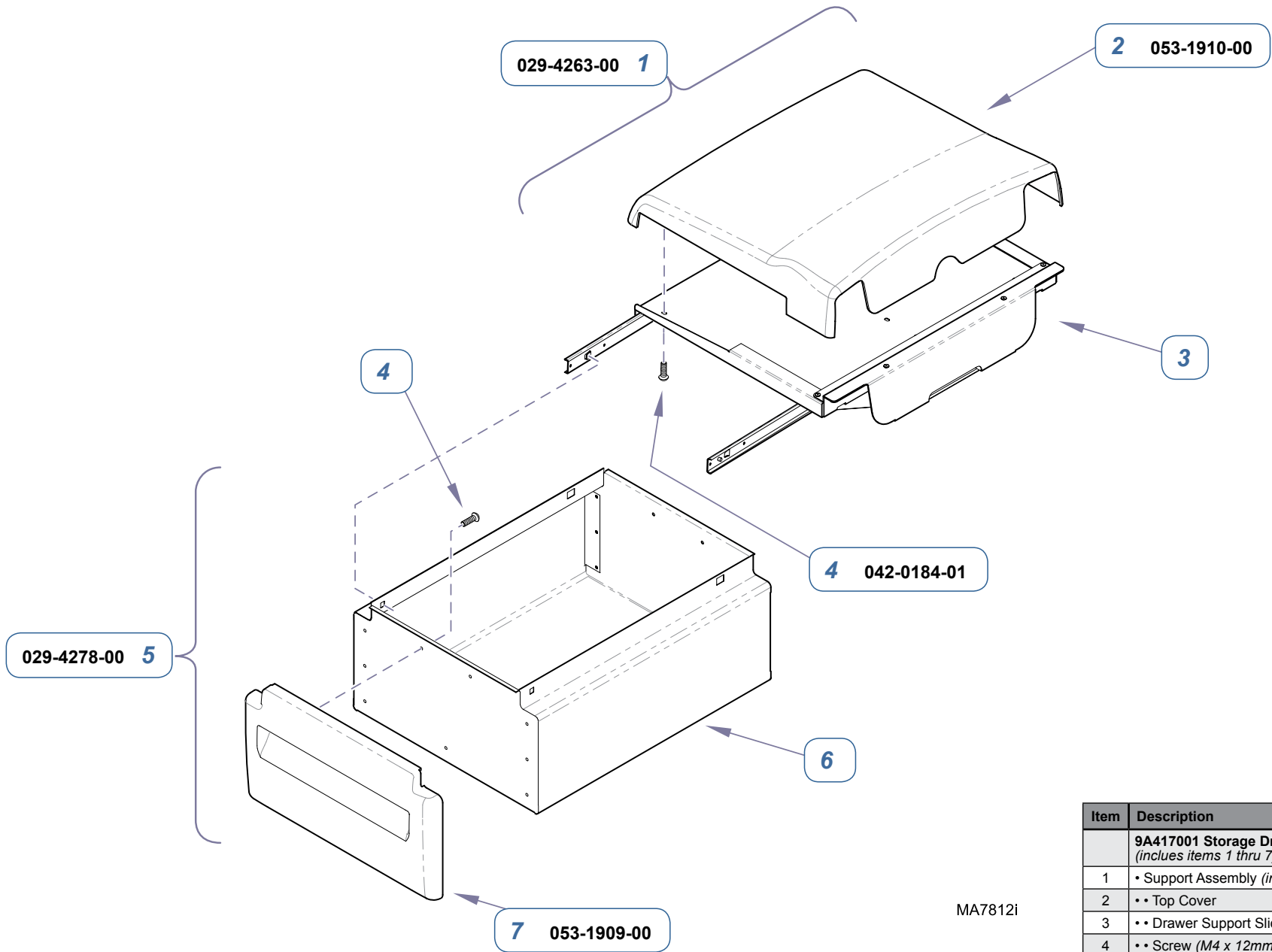
Intended Use:
To provide additional storage for 222/ 223 / 622 / 623 model tables.

To install storage drawer...
A) Raise back section of table.
B) Slide storage drawer over top cover as shown.
C) Press down on the back of the storage drawer until it “snaps” into place.

Attention:
For proper installation, the tab on the storage drawer must snap under the front of the top cover. You will hear a loud “pop” when the tab is fully engaged.



MA7811i



MA7812i

Item	Description	Qty.
	9A417001 Storage Drawer Assembly <i>(includes items 1 thru 7)</i>	1
1	• Support Assembly <i>(includes items 2 thru 4)</i>	1
2	•• Top Cover	1
3	•• Drawer Support Slide Assy <i>(must order item 1)</i>	1
4	•• Screw (M4 x 12mm)	17
5	• Drawer Assembly <i>(includes items 4, 6, & 7)</i>	1
6	•• Drawer Shell <i>(must order item 5)</i>	1
7	•• Drawer Front	2
Always Specify Model & Serial Number		

Serial Numbers / Dates: all