



Swing Arm Instrument Tray / PC Work Shelf [9A427 & 9A428]

Contents:

Installation 1

Exploded Views:

9A427001 3

9A427002 4

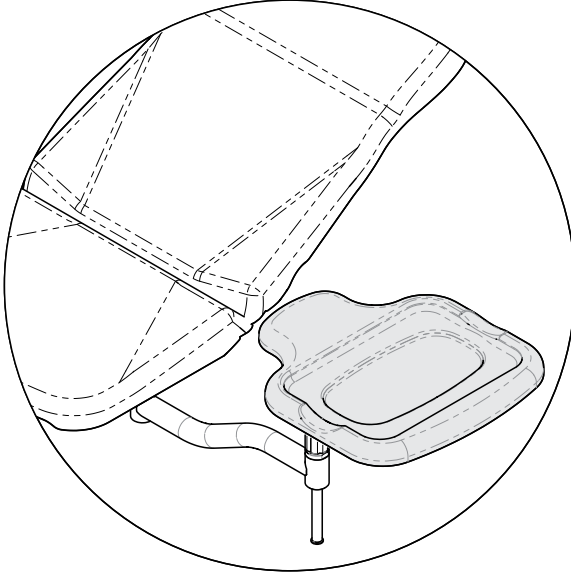
9A428001 5

Swing Arm Assy.... 6

Intended Use:
To provide support for small instruments or a laptop PC within easy reach of the healthcare provider.

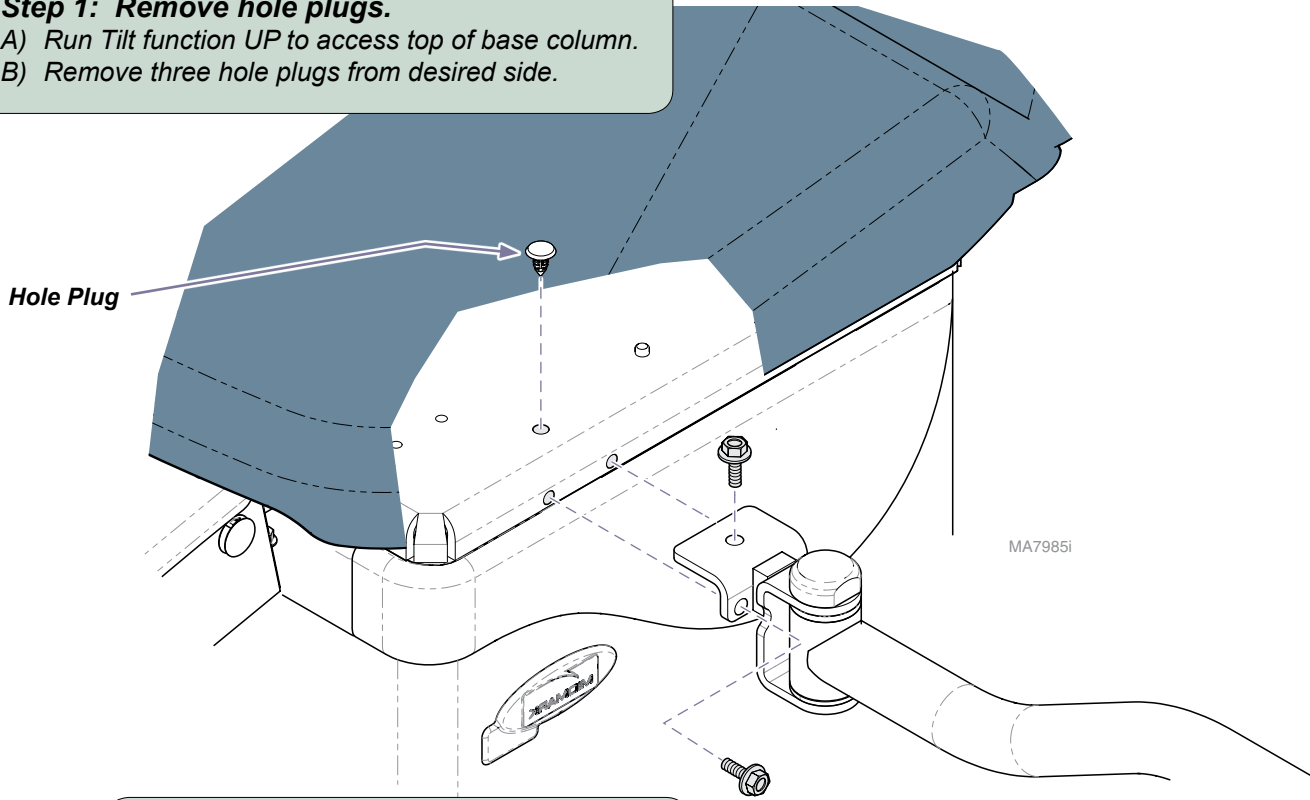
Restrictions:
Cannot be used on the same side as 9A205 Base Rail.

Caution
Assure the tray is clear of the table while the table is being positioned to avoid potential trapping hazards. Failure to do so may result in equipment damage or personal injury.



MA9624i

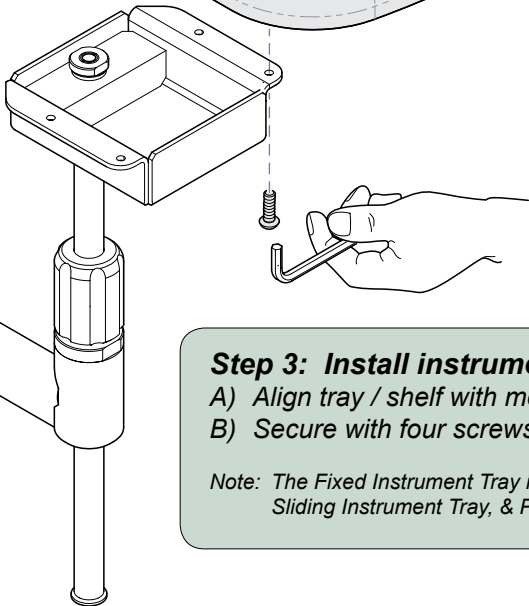
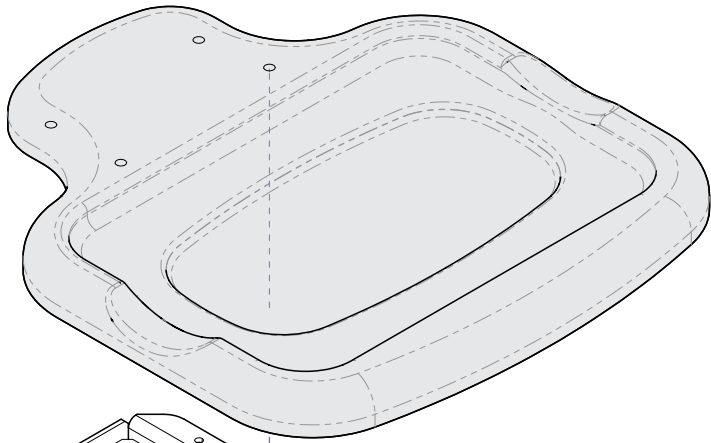
Step 1: Remove hole plugs.
A) Run Tilt function UP to access top of base column.
B) Remove three hole plugs from desired side.



Hole Plug

MA7985i

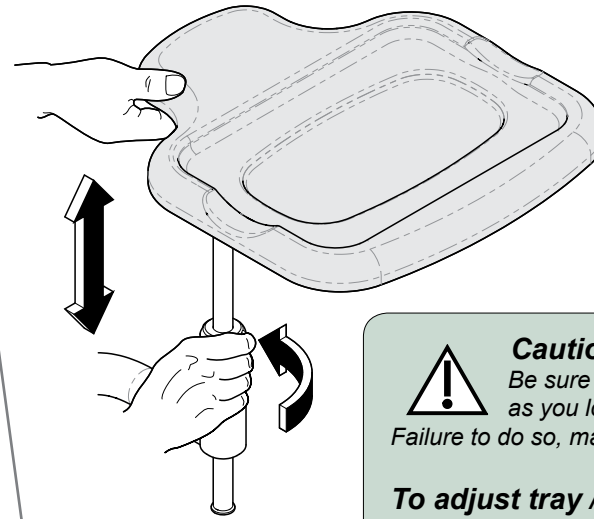
Step 2: Install swing arm.
A) Align swing arm with mounting holes.
B) Secure swing arm with three hex screws.



Step 3: Install instrument tray / PC work shelf.

- A) Align tray / shelf with mounting holes.
- B) Secure with four screws (allen wrench is provided).

Note: The Fixed Instrument Tray is shown. The installation of the Sliding Instrument Tray, & PC Work Shelf is similar.

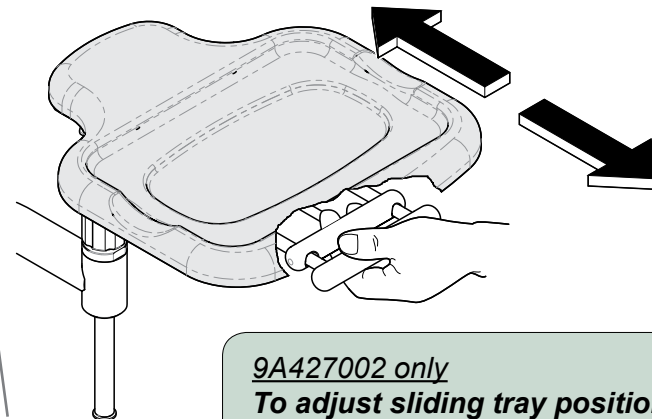


Caution

Be sure to support the tray / shelf as you loosen the adjustment knob. Failure to do so, may result in personal injury.

To adjust tray / shelf height...

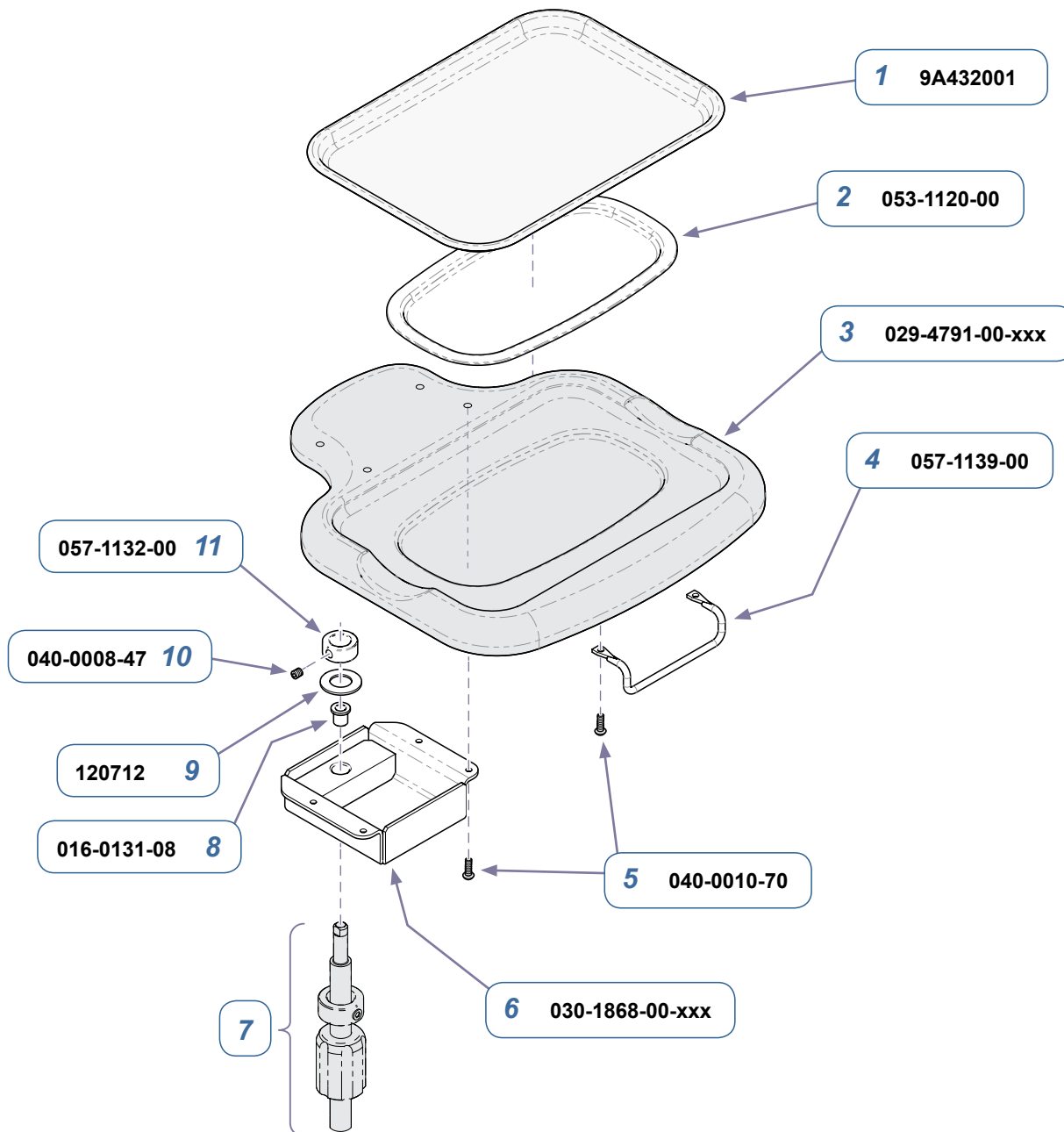
- A) Loosen adjustment knob.
- B) Raise tray / shelf to desired height.
- C) Tighten adjustment knob.



9A427002 only

To adjust sliding tray position...

- A) Squeeze tray handles.
- B) Slide tray to desired position.
- C) Release handles to lock in place.



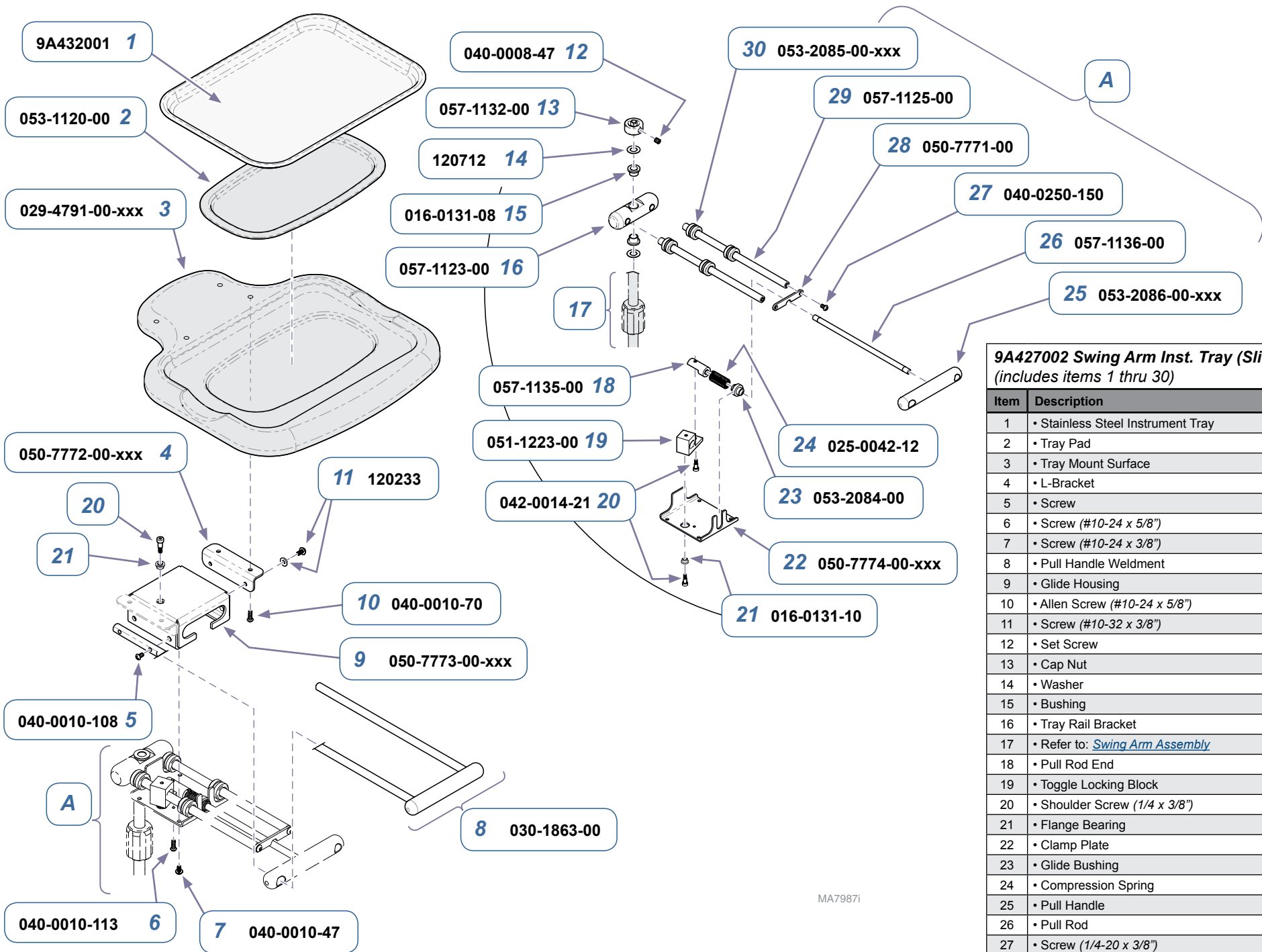
MA7978i

9A427001 Swing Arm Instrument Tray (Fixed)
(includes items 1 thru 11)

Item	Description	Qty.
1	• Stainless Steel Instrument Tray	1
2	• Tray Pad	1
3	• Tray Mount Surface	1
4	• Handle	1
5	• Screw (#10-24 x 5/8")	6
6	• Fixed Head Weldment	1
7	• Refer to: Swing Arm Assembly	Ref
8	• Bushing	2
9	• Washer	2
10	• Set Screw	1
11	• Cap Nut	1

Serial Numbers / Dates:

all

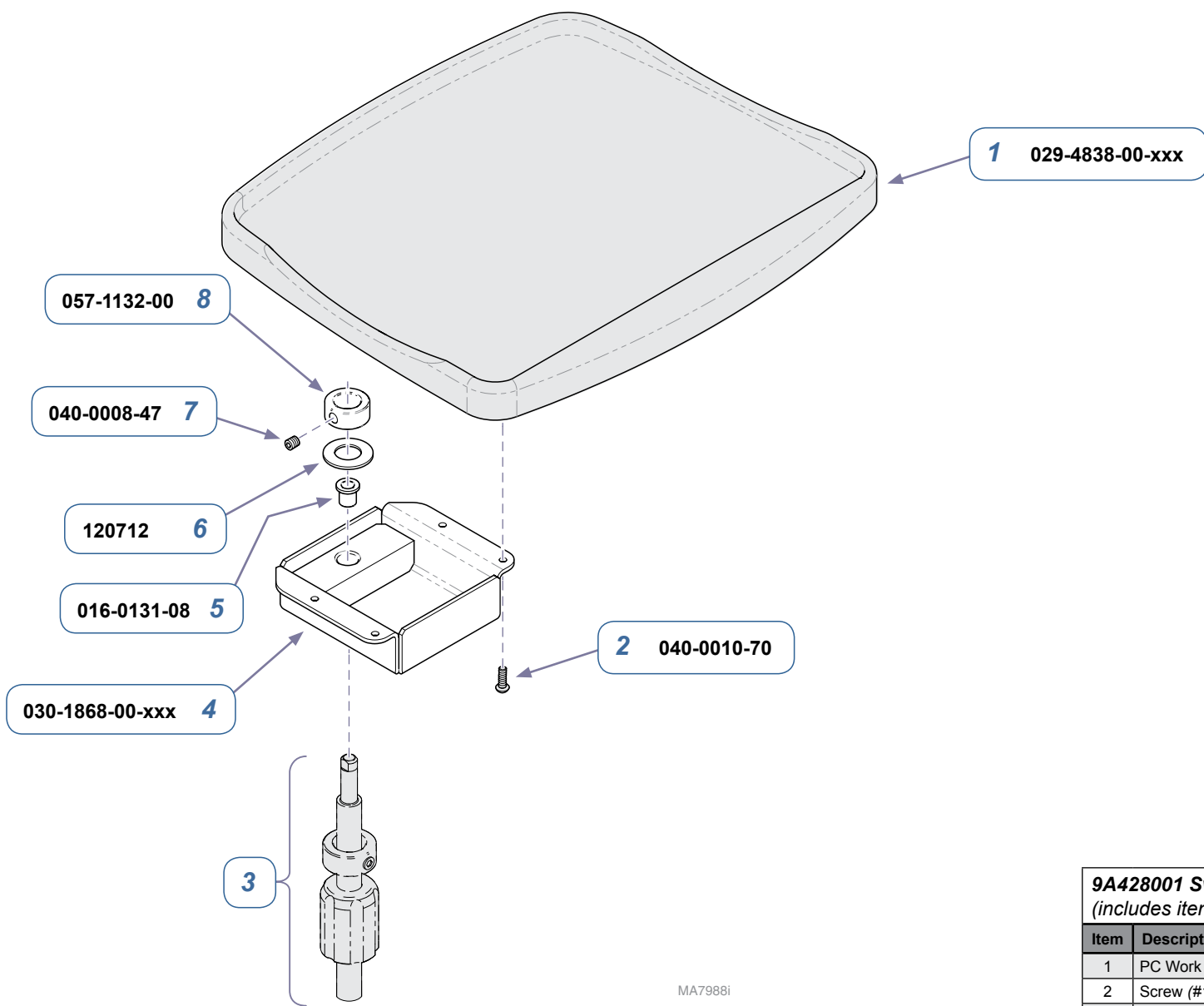


9A427002 Swing Arm Inst. Tray (Sliding)
(includes items 1 thru 30)

Item	Description	Qty.
1	• Stainless Steel Instrument Tray	1
2	• Tray Pad	1
3	• Tray Mount Surface	1
4	• L-Bracket	2
5	• Screw	4
6	• Screw (#10-24 x 5/8")	1
7	• Screw (#10-24 x 3/8")	4
8	• Pull Handle Weldment	1
9	• Glide Housing	1
10	• Allen Screw (#10-24 x 5/8")	4
11	• Screw (#10-32 x 3/8")	4
12	• Set Screw	1
13	• Cap Nut	1
14	• Washer	2
15	• Bushing	2
16	• Tray Rail Bracket	1
17	• Refer to: Swing Arm Assembly	Ref
18	• Pull Rod End	1
19	• Toggle Locking Block	1
20	• Shoulder Screw (1/4 x 3/8")	3
21	• Flange Bearing	2
22	• Clamp Plate	1
23	• Glide Bushing	1
24	• Compression Spring	1
25	• Pull Handle	1
26	• Pull Rod	1
27	• Screw (1/4-20 x 3/8")	2
28	• Slide Stop	1
29	• Tray Rail Shaft	2
30	• Glide Bushing	4

MA79871

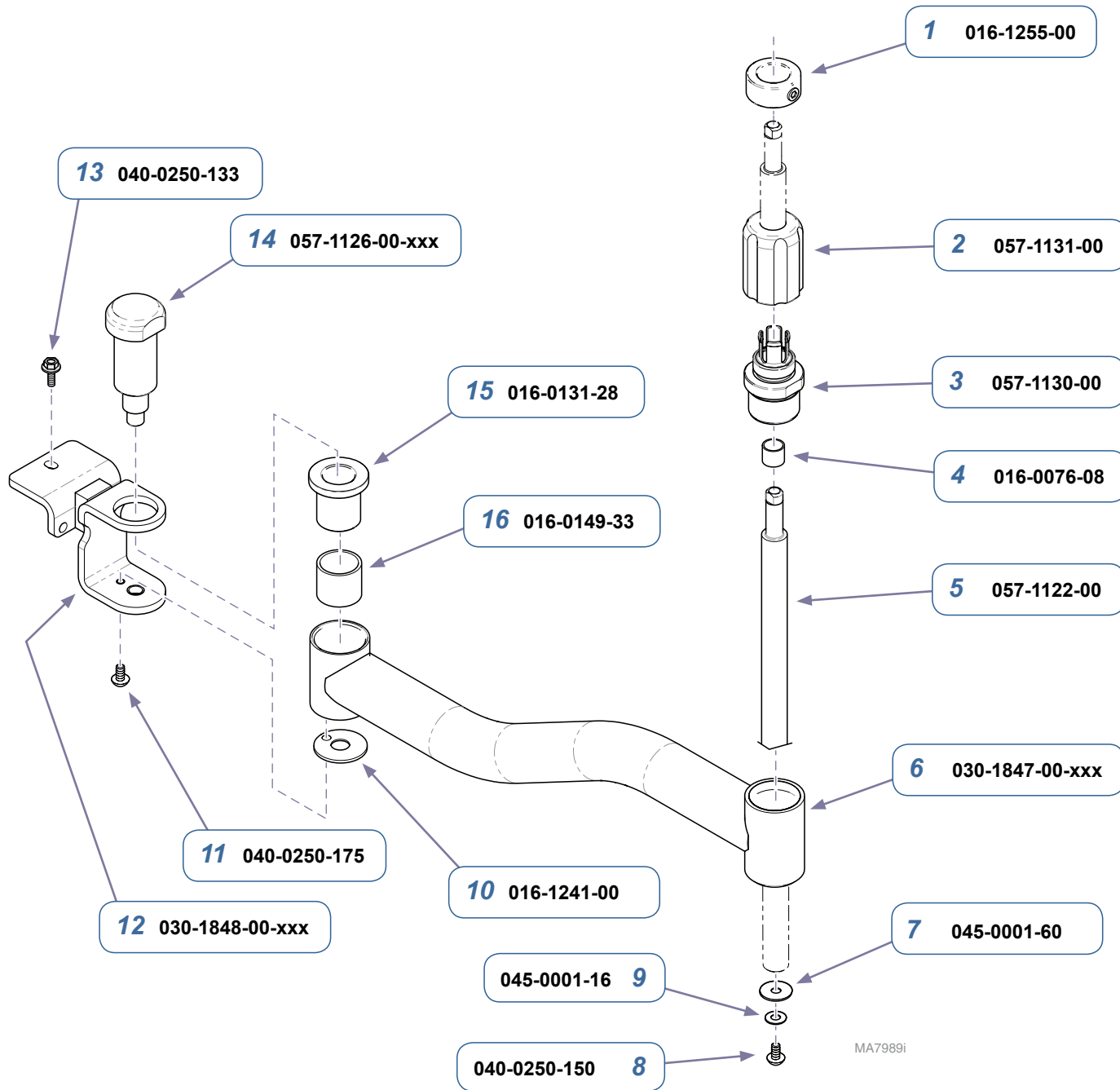
Serial Numbers / Dates: all



MA7988I

9A428001 Swing Arm PC Work Shelf (includes items 1 thru 8)		
Item	Description	Qty.
1	PC Work Shelf	1
2	Screw (#10-24 x 5/8")	4
3	Refer to: Swing Arm Assembly	Ref
4	Fixed Head Weldment	1
5	Bushing	2
6	Washer	2
7	Set Screw	1
8	Cap Nut	1

Serial Numbers / Dates: _____



Swing Arm Assembly		
Item	Description	Qty.
1	Collar	1
2	Taper End - Female	1
3	Taper End - Male	1
4	Bushing	1
5	Bar	1
6	Swing Arm Weldment	1
7	Washer	1
8	Screw (1/4-20 x 3/8")	1
9	Washer	1
10	Thrust Bearing	1
11	Screw (1/4-20 x 1/2")	1
12	C-Bracket Weldment	1
13	Hex Screw (1/4-20 x 1/2")	3
14	Threaded Pin	1
15	Flange Bearing	1
16	Sleeve Bearing	1

Serial Numbers / Dates: _____