



Artizan™ Ortho Cabinet Installation / User Manual


Applies to Models:
OC2421-L
OC2421-R
OC2429-L
OC2429-R

Special Tools:
3/8" Masonry drill bit
9/32" Wood drill bit
Level

Language of origin: English

Note:
Midmark casework unit must be connected to a dedicated circuit with disconnect rated at 20A, 115V~, 60HZ. Failure to comply could result in an overload of the electrical circuit and/or components. All wiring, including disconnect, and plumbing must be installed by a licensed electrician or plumbing contractor following applicable local, city, and national codes.

Midmark casework unit contains electrical duplex outlets which are rated at a combined 15 amps. This rating must be taken into consideration when plugging device(s) into the available outlets.

 **Equipment Alert**
Inspect all components for shipping damages. A concealed damage report must be filed with the carrier (by the person receiving the goods) within 15 days of delivery.

Note:
Refer to cabinet - mounted Procenter Delivery Unit User Guide (003-2196-00) for information on the delivery unit installed in the Ortho Cabinet.




GA1014





GA1013

Important Information and Symbols

These symbols may appear on your equipment and / or in the manuals.

 **WARNING**
Indicates a potentially hazardous situation which could result in serious injury if not avoided.

 **Caution**
Indicates a potentially hazardous situation which may result in minor or moderate injury if not avoided. It may also be used to alert against unsafe practices

 **Equipment Alert**
Indicates a potentially hazardous situation which could result in equipment damage if not avoided.

Note:
Amplifies a procedure, practice or condition.

Contact Information:

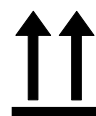
Midmark Corporation
115 G.L. Comer Road
Glasgow, Kentucky 42141
Phone: 1-800-643-6275 ext. 88015
Fax: (270)-651-1732

Intended Use

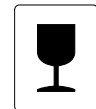
The Midmark Artizan Ortho Cabinet / Mobile Cart can be used as the primary Orthodontic workstation, providing the needed storage and support at the essential delivery positions in either a cabinet or cart configuration. Midmark delivery systems are intended to provide dental professionals with air, water and suction to operate dental handpieces, syringes, and Midmark authorized accessories during dental examinations and procedures.

Electromagnetic Interference

Midmark dental operatory components are designed and build to minimize electromagnetic interference with other devices; however, if interference is noticed between another device and this operatory, remove the interfering device from the room and / or plug the product into an isolated circuit.



Proper Shipping Orientation



Fragile



Keep Dry



Consult User Guide



AC (Alternating Current)



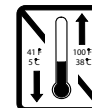
Corrugated Recycle



Pressure Limits



Humidity Limit



Temperature Limit



Type B Applied Part



Protective Earth Ground



No Stacking

Electrical Specifications

115V~, 60Hz, 15A

- This cabinet is a class I Device and must be connected to a protective earth ground.
- Approved for indoor use only.

Transportation / Storage / Operating Conditions

Transportation / Storage Temperature Range: ..0°F to 140°F (-18°C to 60°C)
Relative Humidity:.....10% to 90% (Non-Condensing)
Atmospheric Pressure:.....7.2 PSI to 15.3 PSI (50 kPa to 106 kPa)
Operating Temperature Range.....59°F to 95°F (15°C to 35°C)

Disposal of Equipment / Consumable Goods

At the end of this products life, the unit, accessories and other consumable goods may be contaminated from normal use. Consult local codes and ordinances for proper disposal of this equipment and other consumables.

Floor Layout (OC2421-L/R)

Note:

Have licensed electrical and plumbing contractors position and install electrical outlet receptacles and related plumbing using the pre-installation template or layout. Assure floor is of such construction that the unit will be adequately supported and anchored. If necessary contact a licensed contractor to reinforce the flooring.

Note:

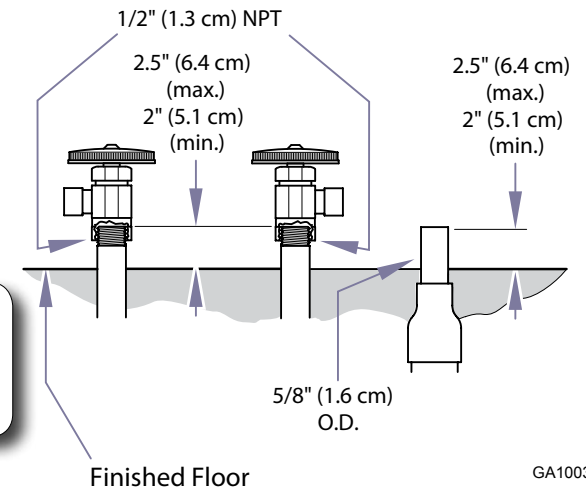
A full size, pre-installation floor template is available upon request:

- OC2421-L Ortho Delivery Cabinet, P/N: 003-2200-00
- OC2421-R Ortho Delivery Cabinet, P/N: 003-2200-01

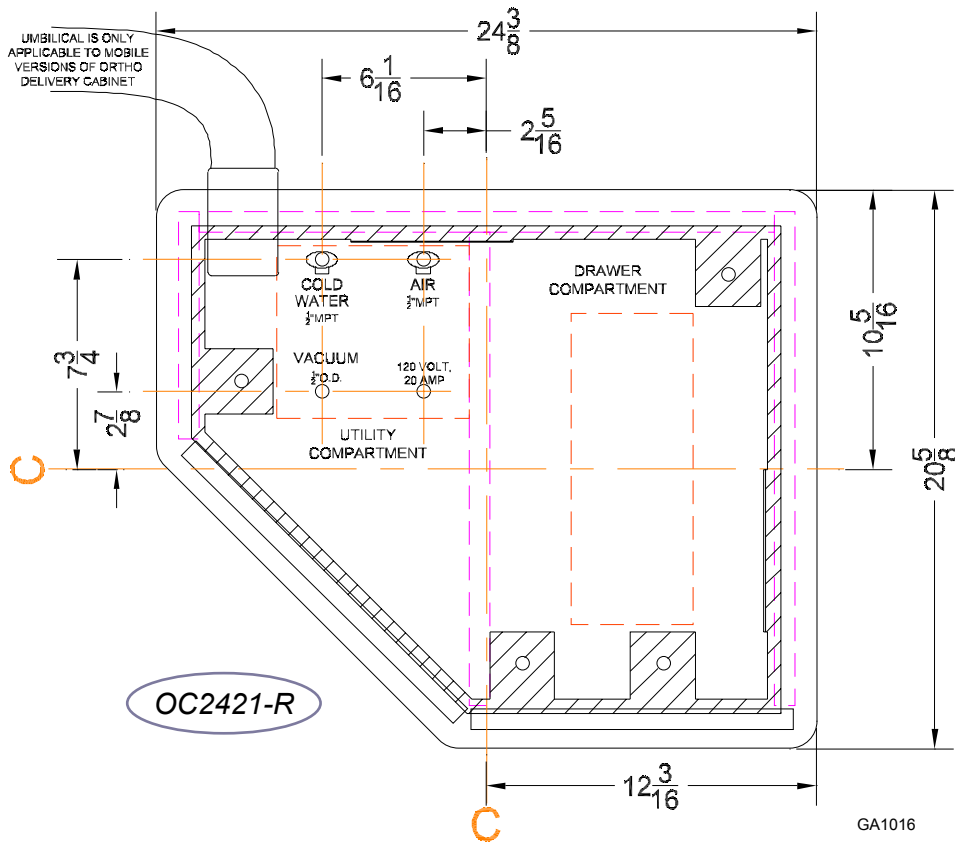


WARNING

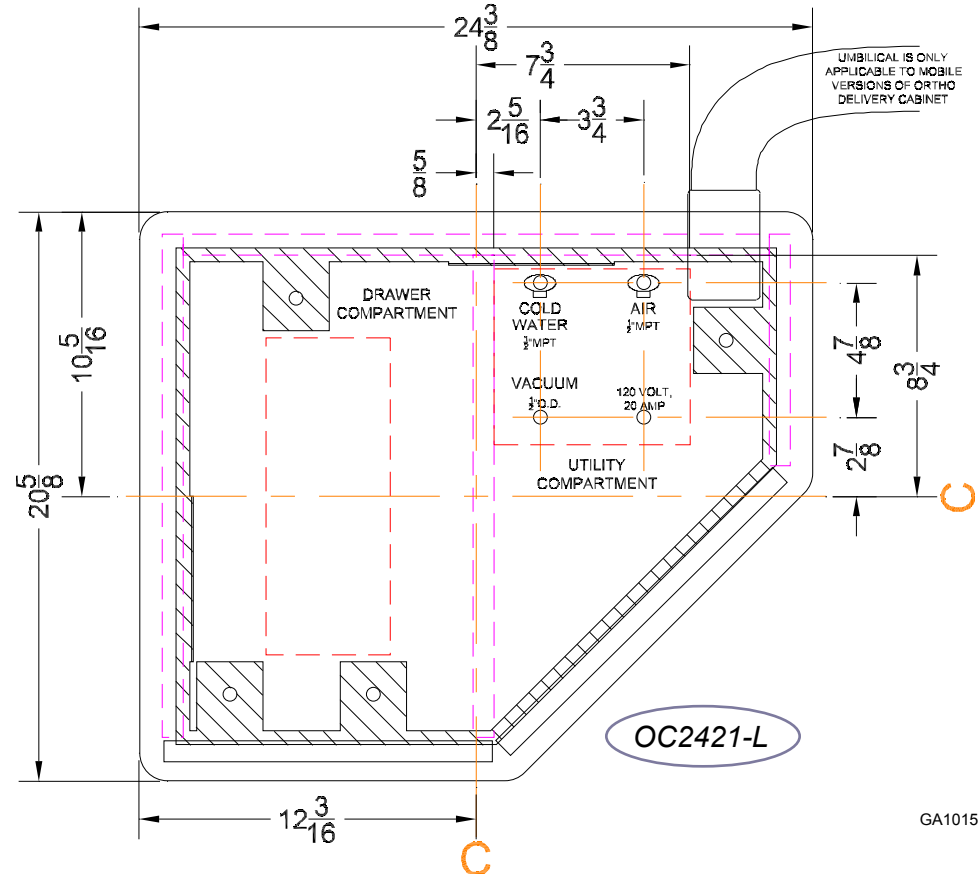
Electrical box must be installed under cabinet as far from water bottle as possible.



GA1003



GA1016



GA1015

Note: If the ortho delivery cabinet is a mobile version, the cutout in the drawers and utility compartments will not exist. The stainless steel base will be replaced with casters and utilities specified on this template will need to be installed in an exterior J-Box. Refer to Utility Layout (Small J-Box) in this manual.

Floor Layout (OC2429-L/R)

Note:

Have licensed electrical and plumbing contractors position and install electrical outlet receptacles and related plumbing using the pre-installation template or layout. Assure floor is of such construction that the unit will be adequately supported and anchored. If necessary contact a licensed contractor to reinforce the flooring.

Note:

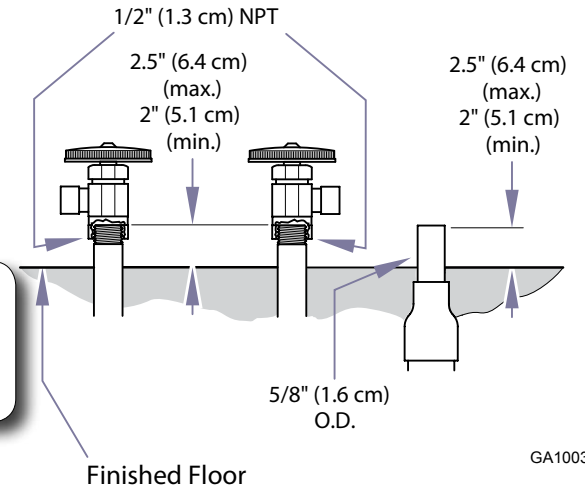
A full size, pre-installation floor template is available upon request:

- OC2429-L Ortho Delivery Cabinet, P/N: 003-2201-00
- OC2429-R Ortho Delivery Cabinet, P/N: 003-2201-01

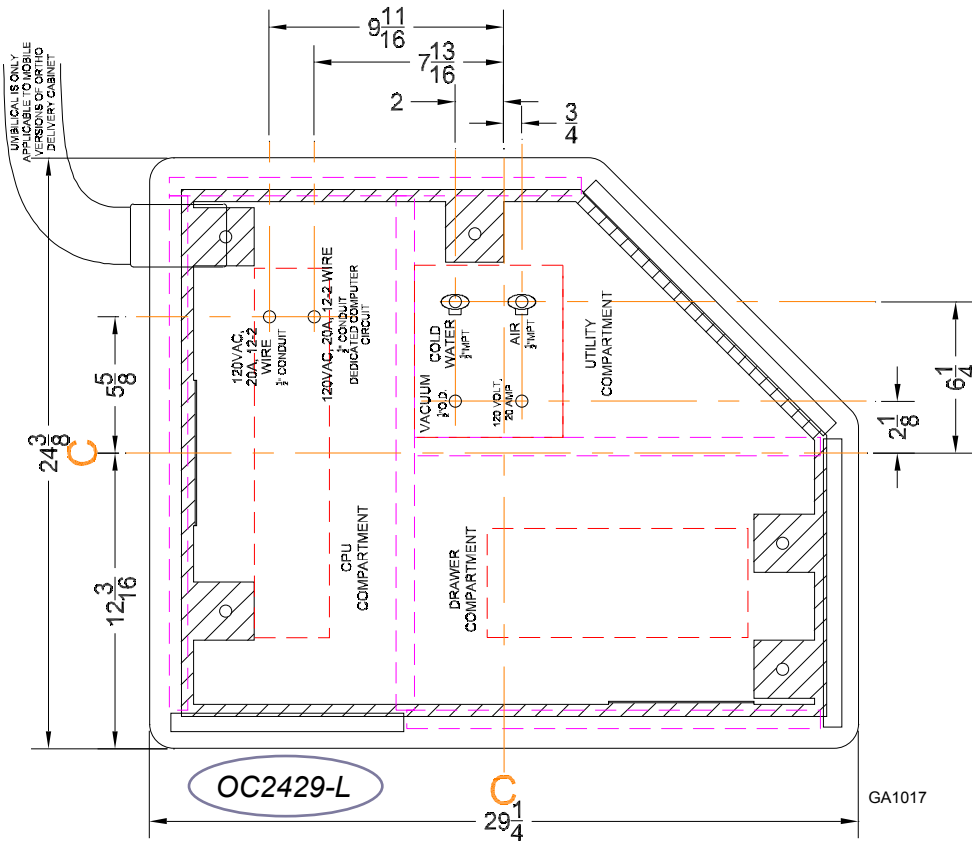


WARNING

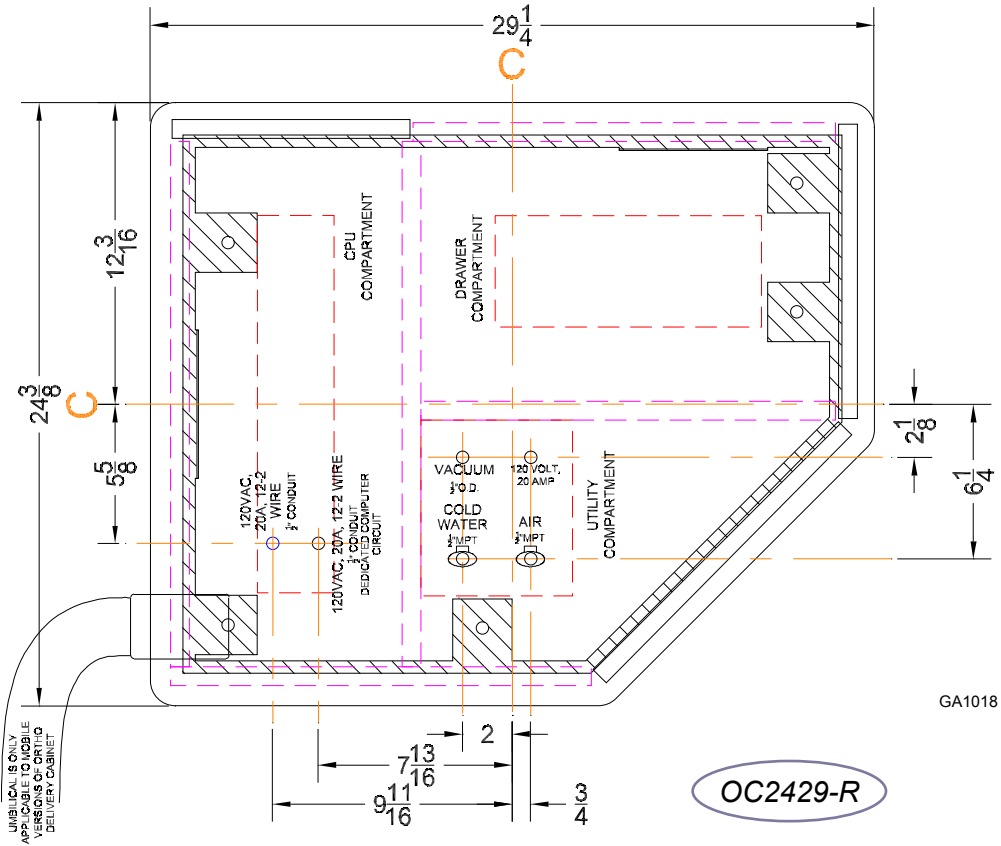
Electrical box must be installed under cabinet as far from water bottle as possible.



GA1003



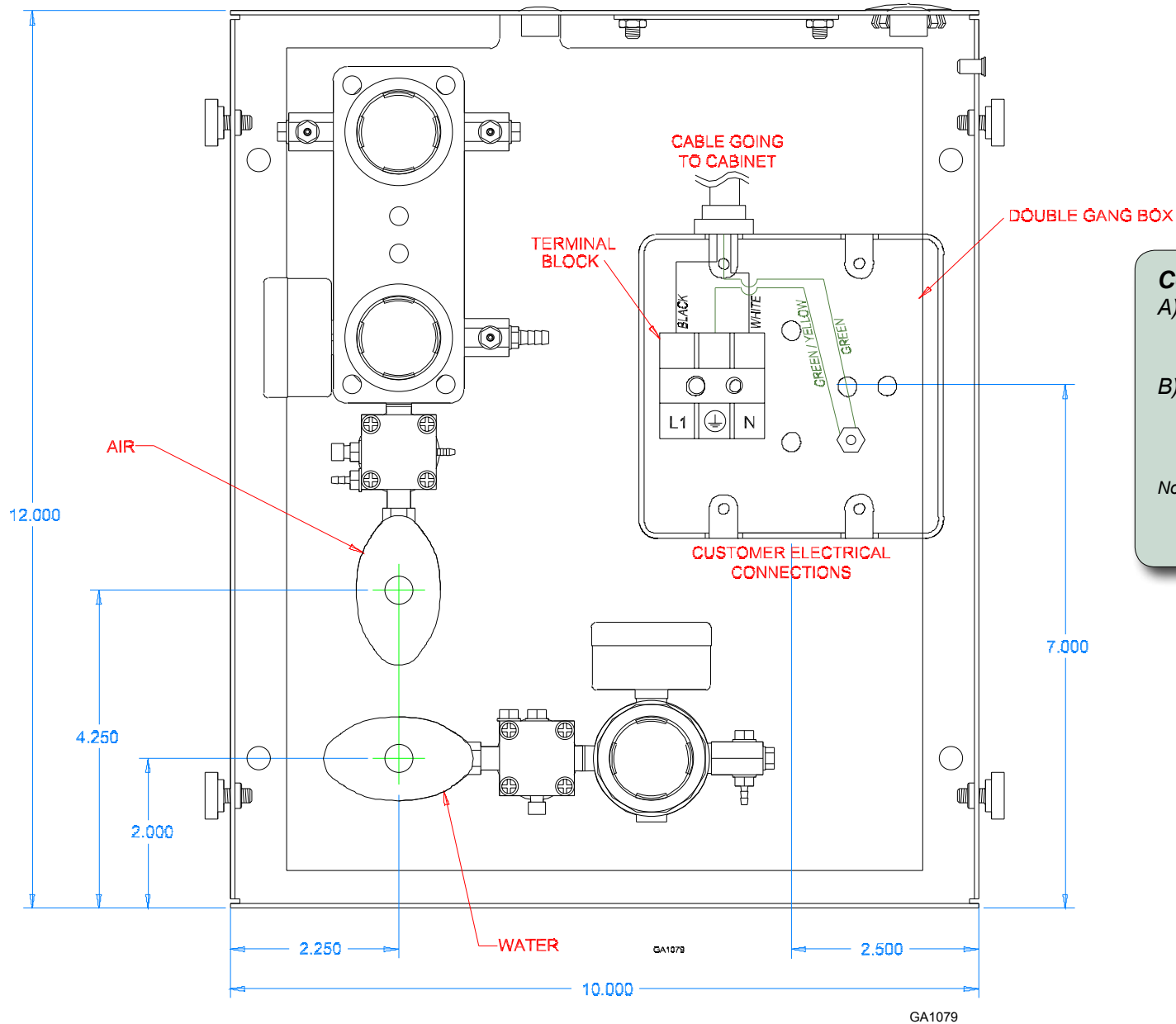
GA1017



GA1018

Note: If the ortho delivery cabinet is a mobile version, the cutout in the drawers and utility compartments will not exist. The stainless steel base will be replaced with casters and utilities specified on this template will need to be installed in an exterior J-Box. Refer to Utility Layout (Small J-Box) in this manual.

Utility Layout (Small J-Box)



Connecting the Electrical...

- Strip wire ends on incoming wire 3/8" from the end and bend the stripped end at a 45° angle.
- Using a screw driver press the push buttons on the terminal block which will allow the stripped end of the wire to be inserted into the terminal block.

Note:

Give a gentle tug on the wires connected to the terminal to ensure a good connection has been made.

Installation (Stainless Steel Base Application)

Step 1: Remove from shipping pallet

- A) Remove cabinet drawers (see *Drawer Removal, Installation, and Adjustment* in this manual).
- B) Accessing under the cabinet through false bottom cutouts use a 3/8" socket to remove lag screws securing base clips and cabinet to shipping pallet

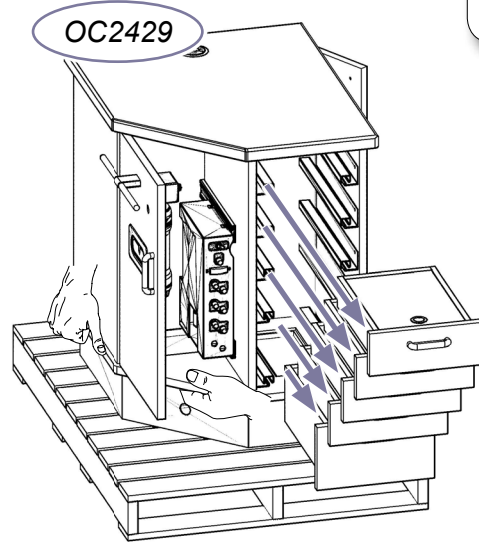
Note:

Be sure to save base clips and lag screw to use later in the installation process to secure cabinet to floor of the building.

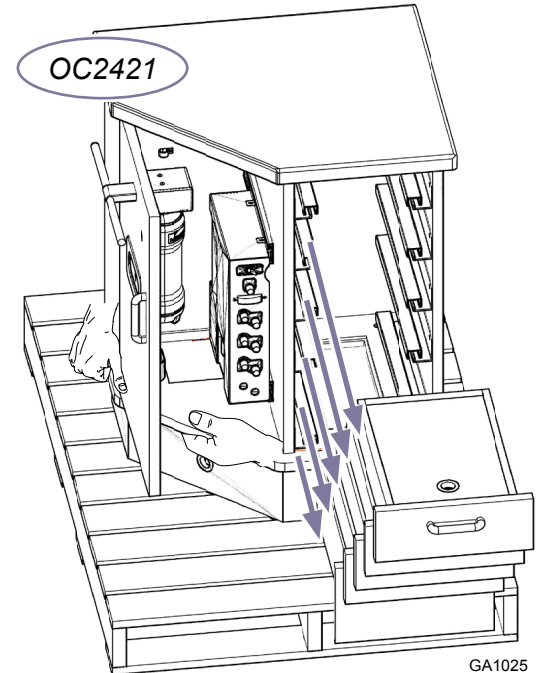


WARNING

Top not to be utilized for lifting. See illustrations for proper lifting points.



GA1026

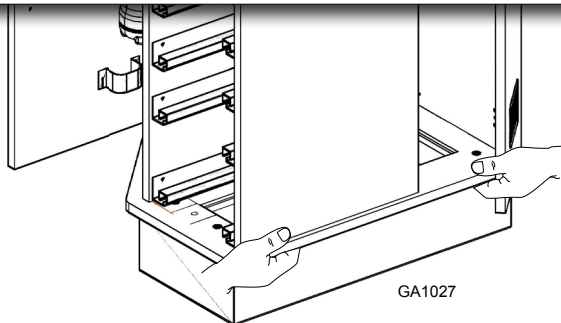


GA1025



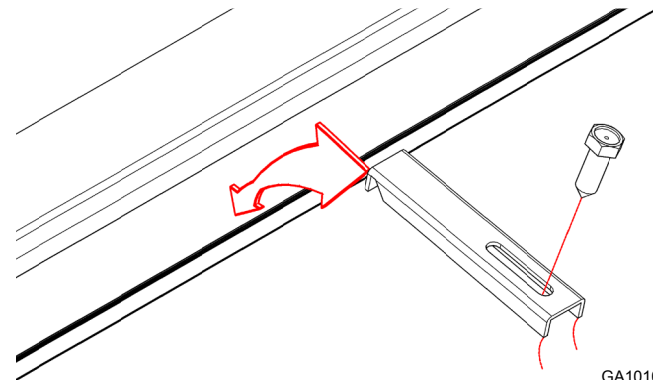
Caution

Cabinet weighs approximately 175-200 pounds. Lift with two people on the bottom edge of the cabinet. Only lift the cabinet in designated locations after drawers have been removed. See illustrations for proper lifting points.



GA1027

Base Clip Removal / Installation



GA1010

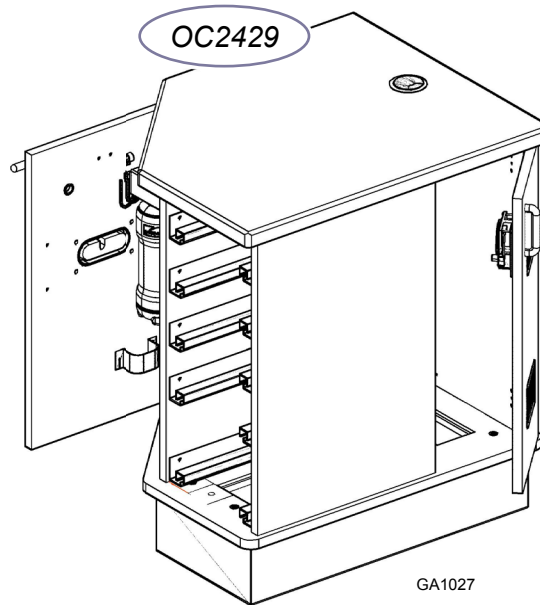
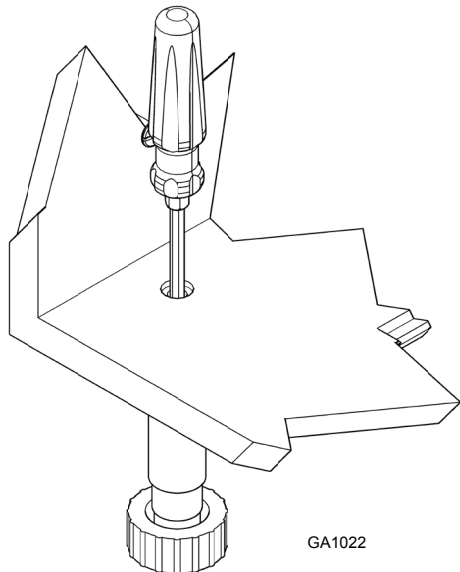
Installation (Stainless Steel Base Application)

Step 2: Securing the cabinet

- A) Set cabinet in desired location over the utility provisions.
- B) Using a level as necessary, unscrew the leg levelers using a screwdriver through the hollow leg bolt in the bottom of the cabinet (see [Adjustable Camar Leg Leveler](#)) or by hand through the false bottom cutout to level the cabinet until cabinet counter top is level.
- C) Use the lag screws (if floor is made of composites) and base clips that were used to secure the cabinet to the shipping pallet and secure the cabinet to floor of the building. If the floor is concrete, then utilize supplied floor anchors.

Note:

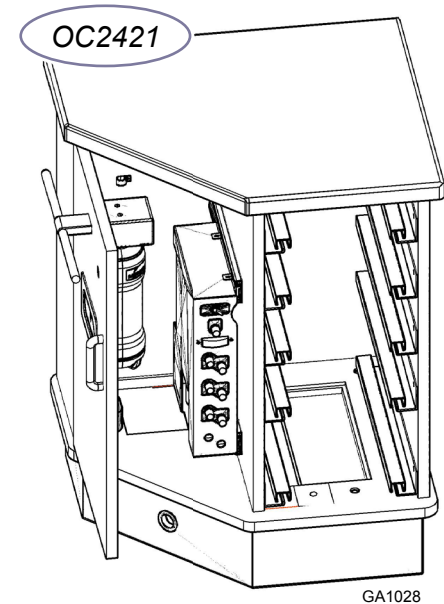
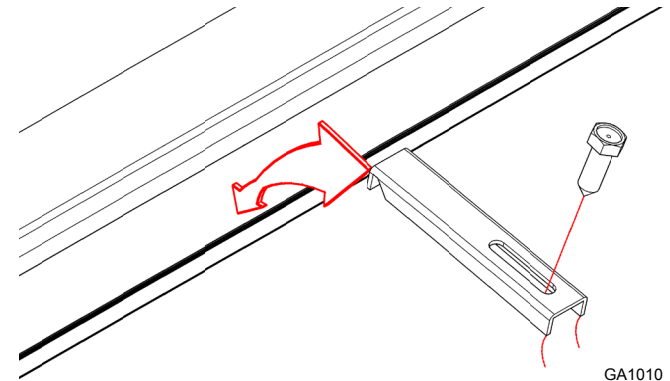
To make installation easier and to prevent damage to area surrounding screw hole in floor, drill pilot holes. Use a 3/8" masonry drill bit for concrete and a 9/32" wood drill bit for composite flooring.



Adjustable Camar Leg Leveler (Cabinet Height Adjustment)

- A) Utilize a flat head screwdriver and place down into hollow bolt in bottom of cabinet. Turn screwdriver clockwise to extend leg to floor, and turn counterclockwise to adjust leg off of floor.

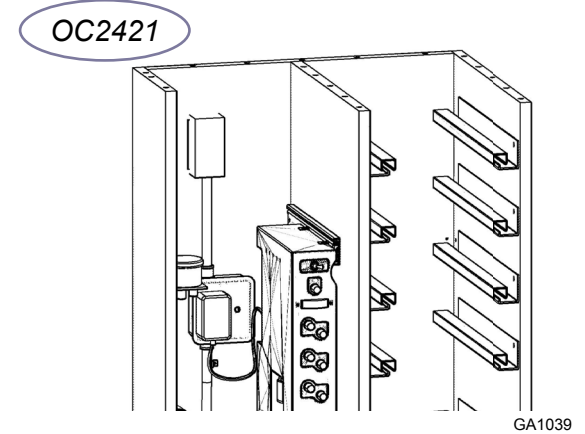
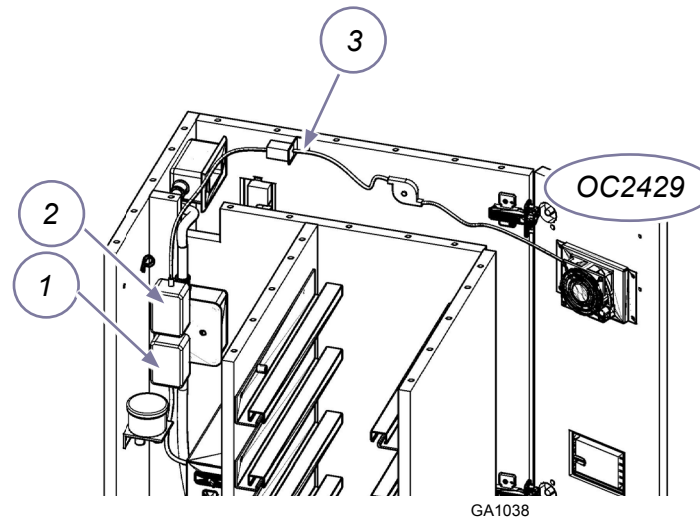
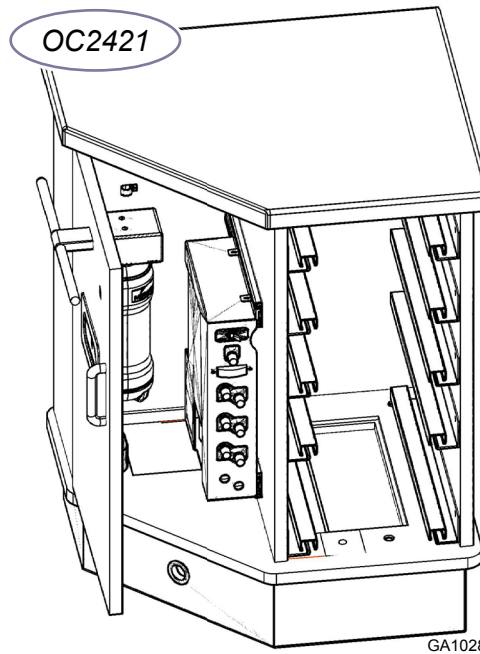
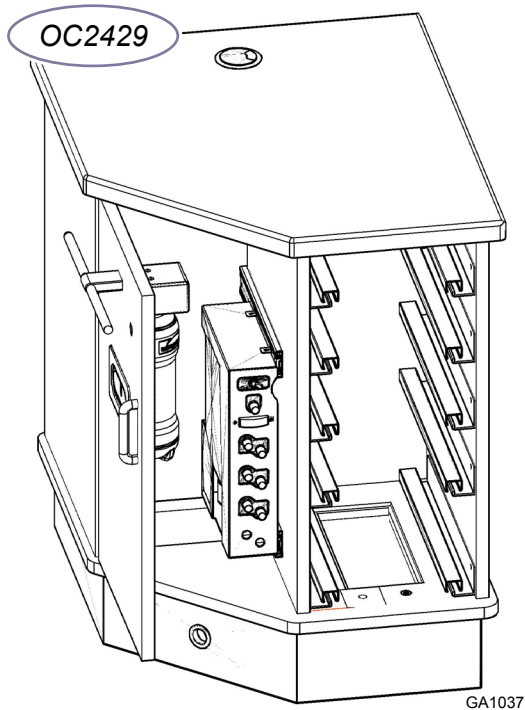
Base Clip Removal / Installation



Installation (Stainless Steel Base Application)

Step 3: Utilities

- A) Connect appropriate plumbing (cold water, air, vacuum, etc...see the Technical Reference Guide for routing information).
- B) Make appropriate electrical connections under cabinet.
- C) If applicable, route fiber optic handpiece power supply from unit to the electrical outlet in the rear of the utility compartment (1). (See figures GA1038-GA1039)
- D) If applicable, route the USB power supply to the utility compartment and plug it into the top outlet (2). Extend the cord for the CPU fan found on the CPU compartment door and attach it to the USB power supply receptacle (3) located in the rear of the CPU compartment.



Caution

Fan must be connected to the USB power supply provided and not to the computer itself for safe and efficient operation.

Installation (Stainless Steel Base Application)

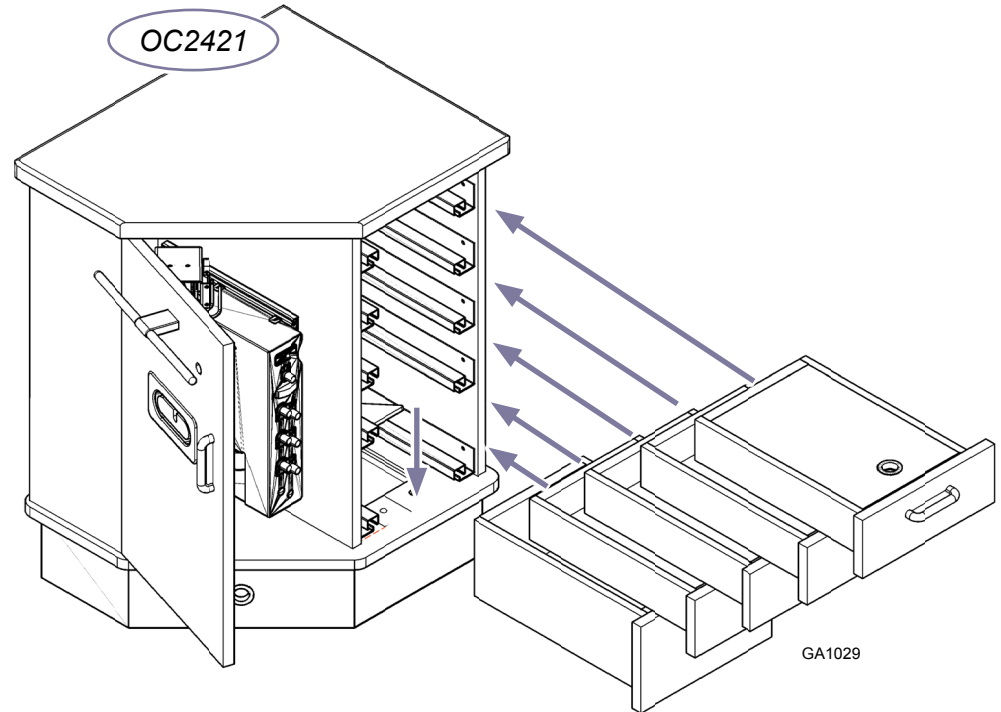
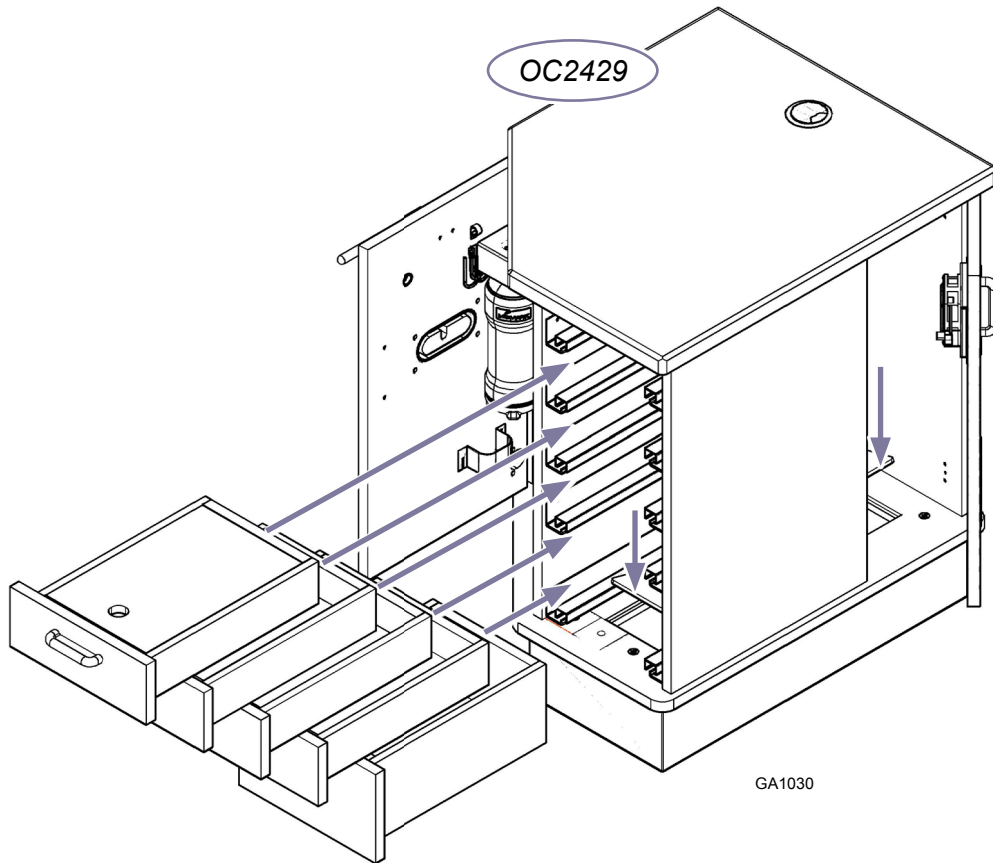
Step 5: Doors, Drawers, and False Bottoms

- A) Unwrap false bottoms and install into bottom of the cabinet to cover access points.
- B) Re-install cabinet drawers (see Drawer Removal, Installation, and Adjustment in this manual) and make adjustments as needed.
- C) Adjust doors accordingly (see Door Removal, Installation, and Adjustment in this manual).



Equipment Alert

The CPU stored in the CPU compartment should not exceed 34lbs.



Equipment Alert

Be sure to adjust drawer adjustments to the down position before re-installing drawers.



Equipment Alert

Maximum recommended weight for contents in drawers is 5lbs for medium (3.15" HGT) drawer boxes and 10lbs for large (5.9" HGT) drawer boxes.

Installation (Mobile Caster Applications)

Step 1: Remove from Shipping Pallet

- A) Cut metal bands securing cabinet to shipping pallet.
- B) Remove cabinet drawers (see [Drawer Removal, Installation, and Adjustment](#) in this manual).
- C) Remove cabinet from shipping pallet.

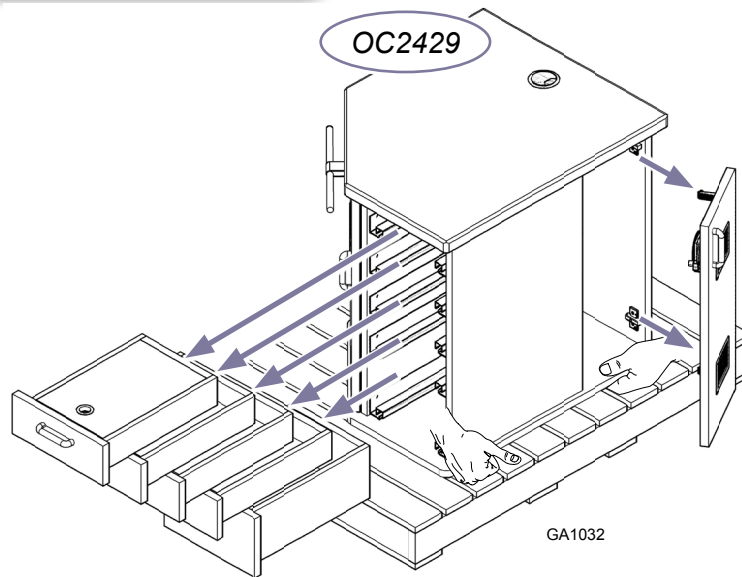
Note:

OC2429 Ortho Delivery Cabinet will require that the CPU compartment door be removed as well (see [Door Removal, Installation, and Adjustment](#)).

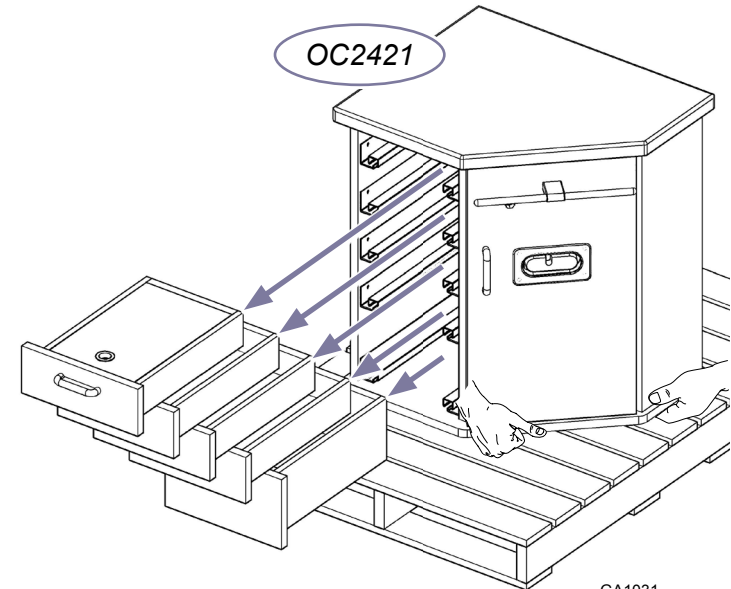


WARNING

Top not to be utilized for lifting. See illustrations for proper lifting points.



GA1032



GA1031



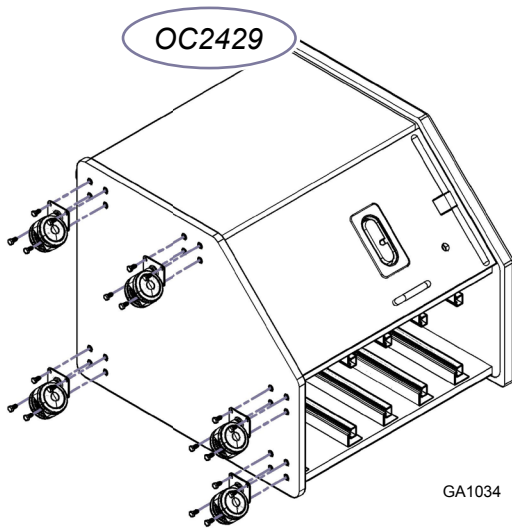
Caution

Cabinet weighs approximately 175-200 pounds. Lift with two people on the bottom edge of the cabinet. Only lift the cabinet in designated locations after drawers have been removed. See above illustration for proper lifting points.

Installation (Mobile Caster Applications)

Step 2: Attaching Casters

- A) Set cabinet on its side so that the bottom of the cabinet is accessible.
- B) Use the supplied HexBolt_.25-20 UNC X 0.625in LG Grade 5 Znc-Pltd (P/N: 040-4001-00) and attach casters to the bottom of the cabinet as shown.



Equipment Alert

When orienting cabinet so that the casters can be installed onto the bottom, be sure not to place cabinet on side with the umbilical exiting the cabinet, as this will cause the umbilical tubings to kink and the equipment will not function properly.

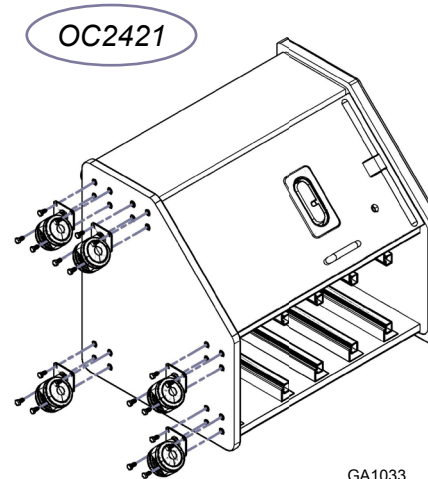
Step 3: Utilities

- A) Make appropriate connections from building to J-Box supplied with the unit. (see J-Box Tubing Connections in this manual).
- C) If applicable, route fiber optic handpiece power supply from unit to the electrical outlet in the rear of the utility compartment. (See figures GA1038-GA1039 found in step 3 of the Stainless Steel Base Application)
- D) If applicable, route the USB power supply to the utility compartment and plug it into the top outlet. Extend the cord for the CPU fan found in the CPU compartment door and attach it to the USB power supply receptacle located in the rear of the CPU compartment. (See figures GA1038 found in step 3 of the Stainless Steel Base Application)



Caution

Fan must be connected to the USB power supply provided and not to the computer itself for safe and efficient operation.



Equipment Alert

Be sure not to over tighten hex bolts, as this will result in the machined inserts to twist out of the bottom of the cabinet.

Installation (Mobile Caster Applications)

Step 4: Doors and Drawers

- A) Re-install cabinet drawers (see Drawer Removal, Installation, and Adjustment in this manual) and make adjustments as needed.
- B) Re-Install cabinet doors (If OC2429-L/R) (see Door Removal, Installation, and Adjustment in this manual) and make adjustments as needed.



WARNING

During transportation, the cabinet drawers and doors should remain closed and all attachments placed in their lowest and most central positions possible. Failure to comply may result in injury and/or damage to equipment.



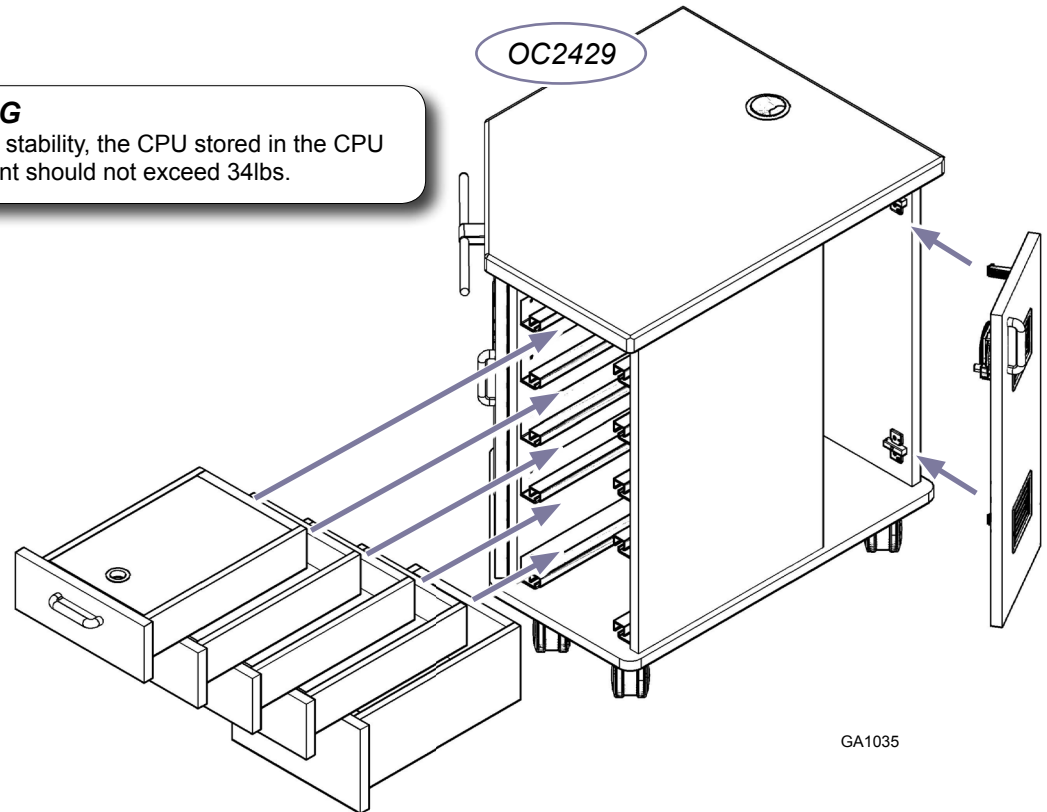
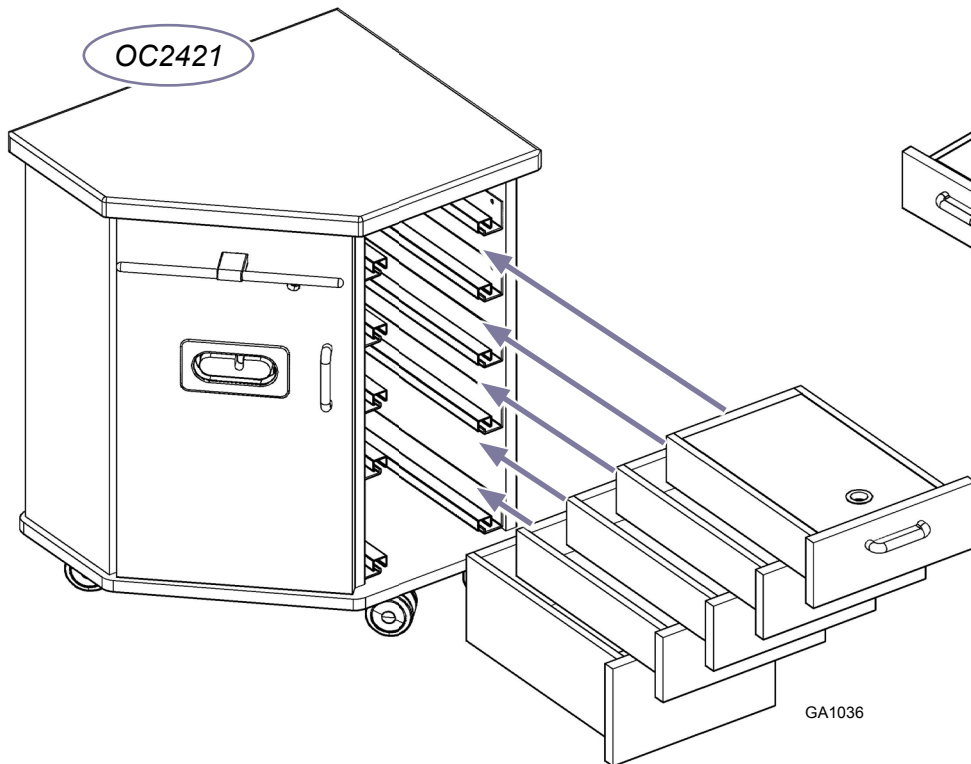
WARNING

For cabinet stability, the CPU stored in the CPU compartment should not exceed 34lbs.



Equipment Alert

Be sure to adjust drawer adjustments to the down position before re-installing drawers.



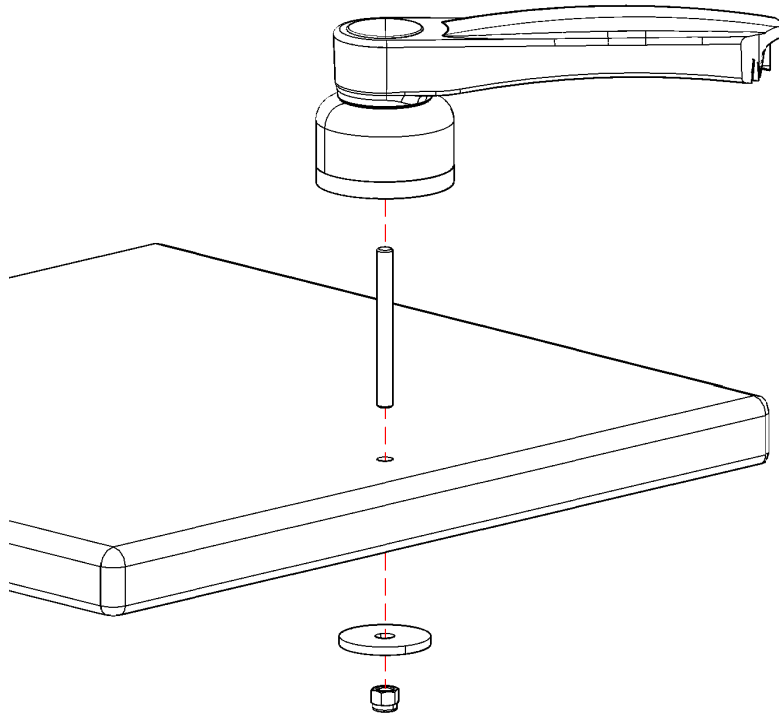
WARNING

Maximum recommended weight for contents in drawers is 5lbs for medium (3.15" HGT) drawer boxes and 10lbs for large (5.9" HGT) drawer boxes.

Monitor Mount, Installation and Adjustment

Installation

- A) Insert threaded rod into monitor mount base.
- B) Put the monitor mount into position by inserting the threaded rod into the pre-drilled 3/8" hole in the countertop.
- C) From the underside of the countertop use the supplied nut and washer to fasten the monitor mount to the countertop.



Note:

For further installation instructions and adjustments see instructions provided with monitor mount in the hardware bag.



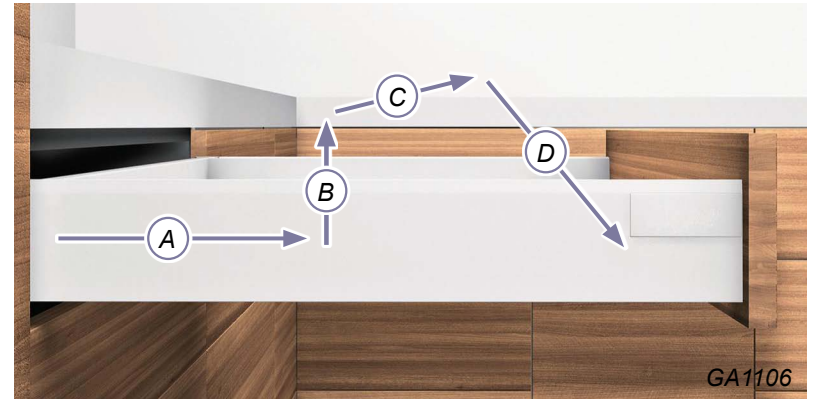
WARNING

Loading of monitor mount must not exceed 15.9 lbs (monitor) and 2 lbs (keyboard).

Drawer Removal, Installation and Adjustment

Drawer Removal

- A) Open drawer completely.
- B) Lift up on the drawer front until the front of the box releases from the glide.
- C) Pull out on the drawer slightly.
- D) Lower the drawer back down while pulling out on the drawer.



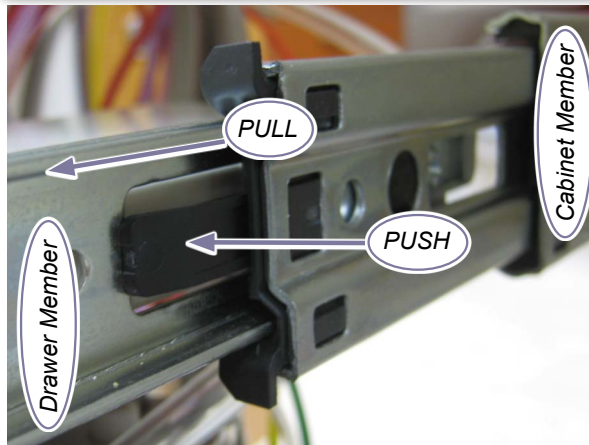
Drawer Installation

- A) Fully extend drawer glides from the cabinet. (Optional)
- B) Place the drawer on the glides.
- C) Push the drawer in completely.
- D) Cycle drawer a couple times to ensure that the drawer is securely attached to the glides.

Full Extension Glide Removal & Installation...

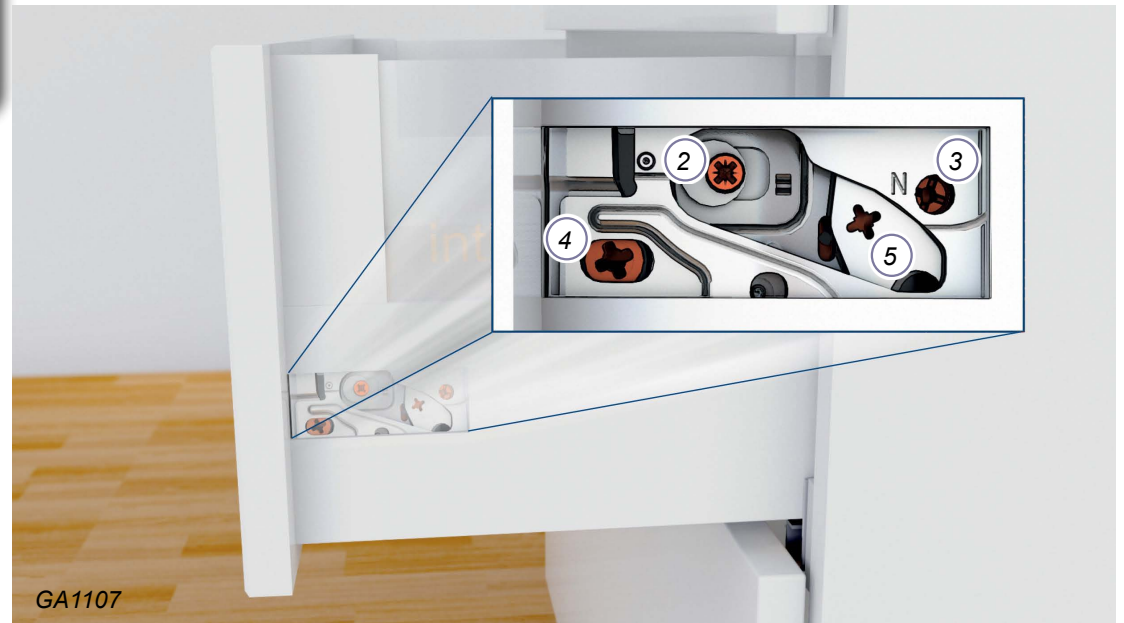
Removal

- A) Extend the glide to its outermost position. Push the release levers in and remove the drawer member of the sides.



Installation

- A) Line up the drawer member to the cabinet member and push the drawer into its compartment.



Drawer Front Adjustment and Removal

- 1) Remove the cover caps on the drawer side by hand.
- 2) Height Adjustment: Rotate in either direction to adjust the drawer front vertically.
- 3) Tilt Adjustment: Adjust after the drawer front is installed to ensure the drawer sides meet square with the drawer front. (Only available on large drawer boxes.)
- 4) Side Adjustment: Adjusts the drawer front horizontally. Turn in either direction.
- 5) Tension/Removal: For large drawers, turn the screw toward the front of the drawer until the front detaches from the box. Repeat this procedure on both sides of the drawer. For small and medium drawer boxes, turn the screw toward the back of the drawer to remove the front.

Door Removal, Installation, and Adjustment

Hinge 1 & 2 Adjustments

Use a phillips head screw driver for the following steps...

- A) Screw A adjusts the door in direction A seen in the Adjustment Direction Guide
- B) Screw B adjusts the door in direction B. Equal adjustment must be made to all hinges on the door for it to move the desired distance.
- C) Screw C adjusts the door in the C direction. Make adjustments to top and bottom hinge as necessary.

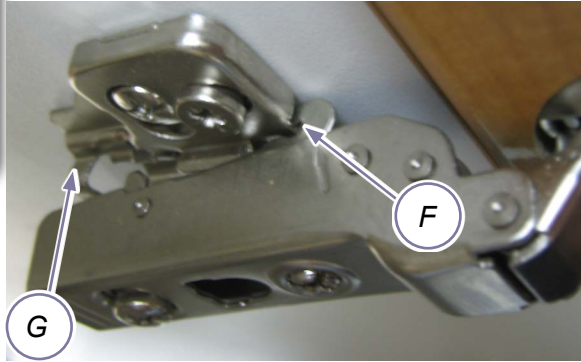
Note: Use a level to ensure the door is level and plumb. Preferred gaps are approximately 1/8" between doors and 1/16" between accents and doors.

Hinge 1 & 2 Removal

- E) Press button at point E at the back of the hinge and pull away from cabinet.

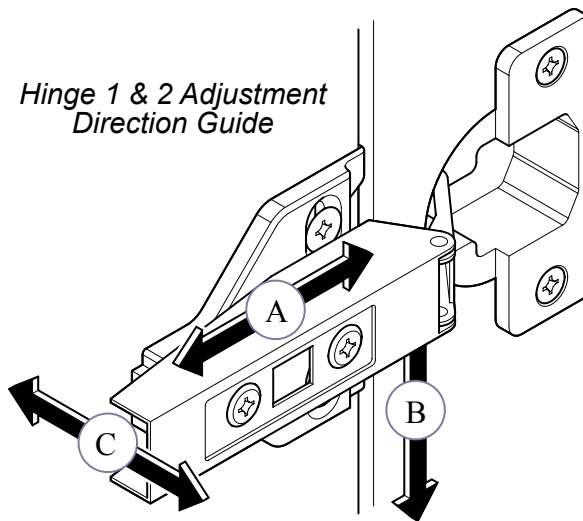
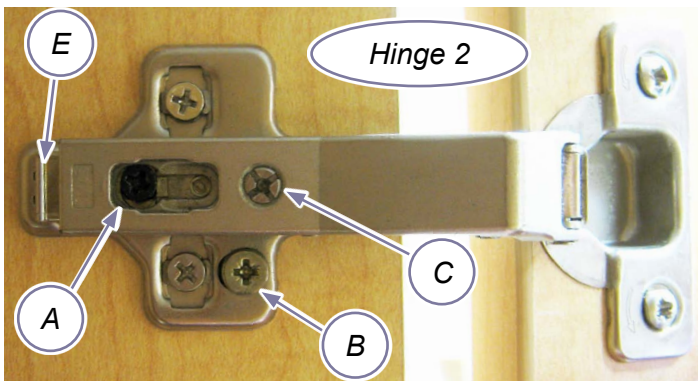
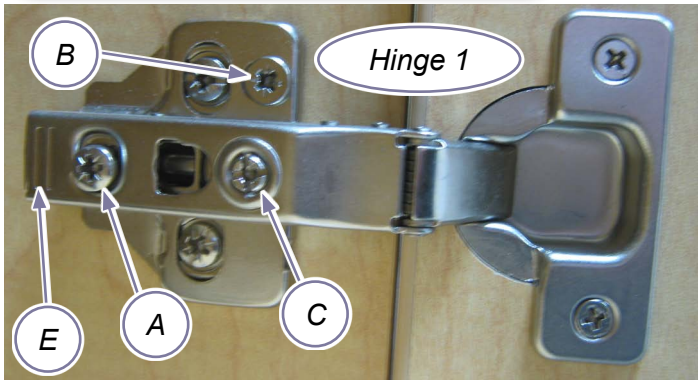
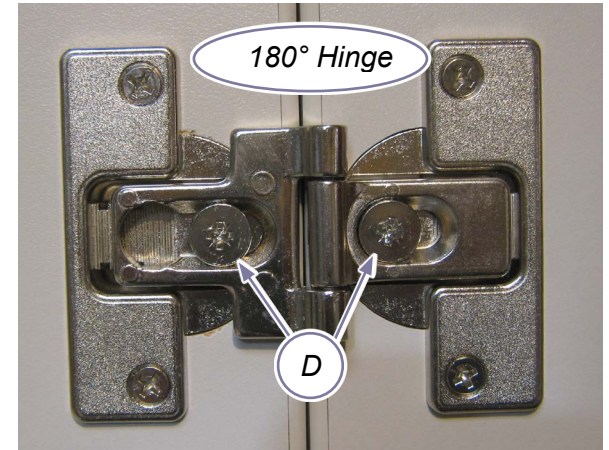
Hinge 1 & 2 Installation

- F) Hook the hinge to the mounting block at point F
- G) Latch at point G by pressing the hinge against the hinge block.

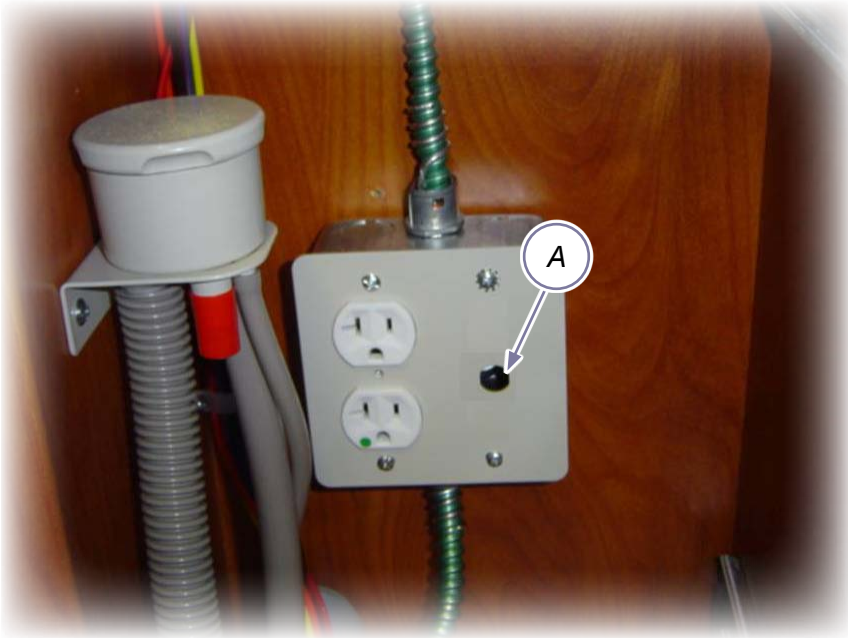


180° Hinge Adjustments

- D) Loosen screw D and adjust door gap and angle using a level. Tighten screw D when positioned correctly,



Electrical



GA1078

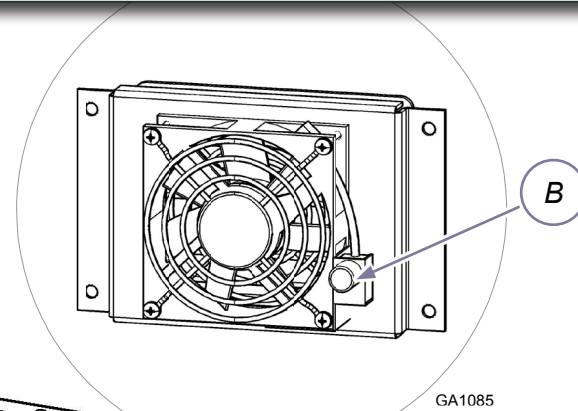
To Reset the Integrated Circuit Breaker...

Open the door of the utility compartment and locate the integrated circuit breaker. To reset the integrated circuit breaker depress the reset button (A).

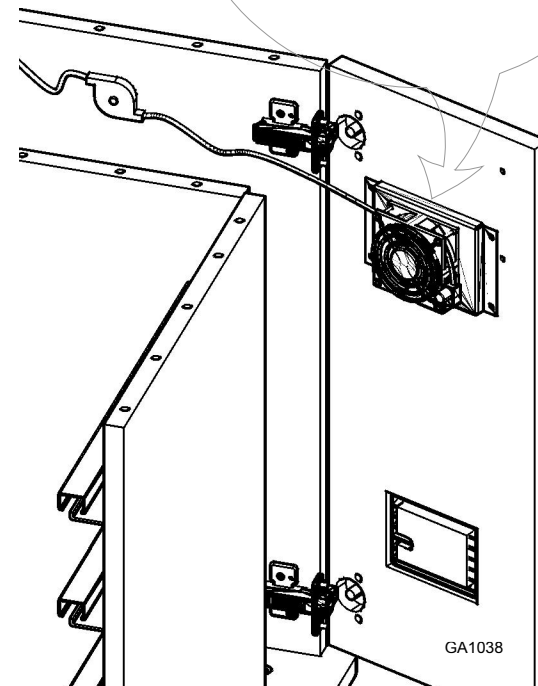
Note: The integrated circuit breaker is located on the front face of the outlet box located on the rear wall inside the utility compartment. (See floor layout in this manual for compartment location)

Fan Adjustment...

Turn the knob (B) clockwise to increase or counter clockwise to decrease fan speed. A thermostat in the CPU Compartment will turn the fan on and off as needed.

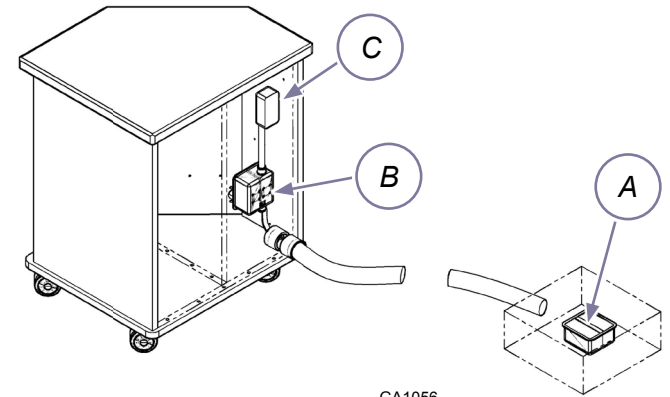


GA1085



GA1038

Wiring Diagram (OC2421 Mobile)



GA1056

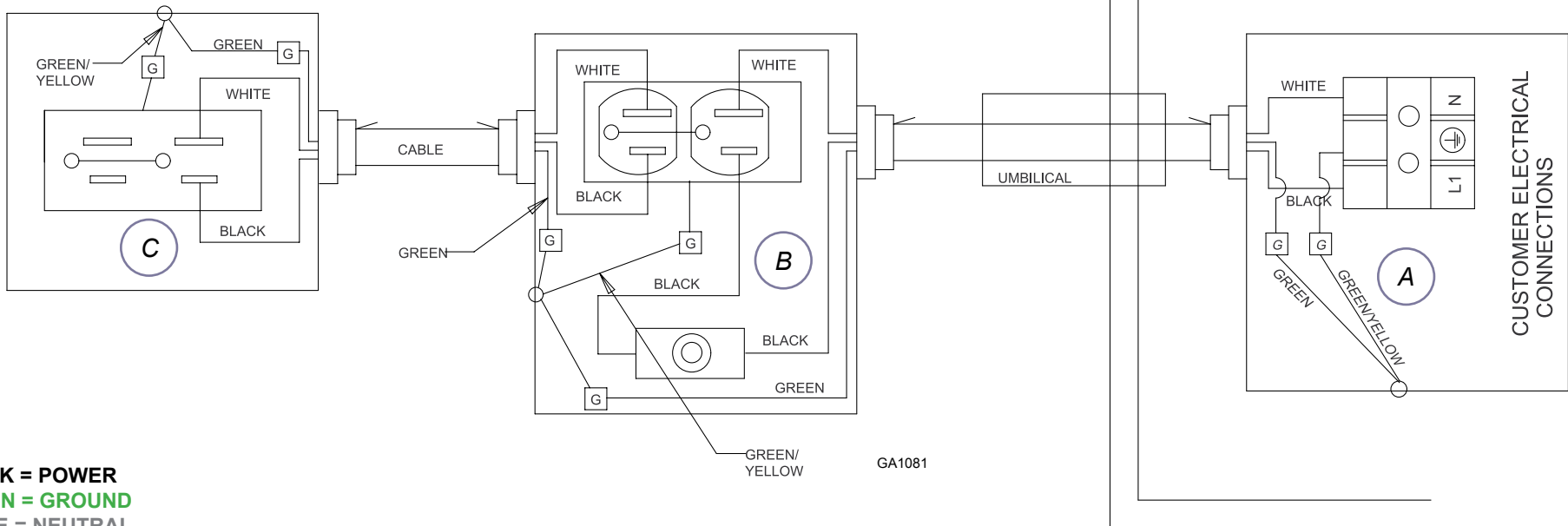


Equipment Alert

Dedicated branch circuit rated at 20A, 115V~, 60Hz

Note:

All wiring must be installed by a licensed electrician following applicable local, city and national codes. Failure to comply could result in an overload of the electrical circuit and/or components. Midmark cannot be held responsible for installations that do not conform to local codes.



GA1081

BLACK = POWER
GREEN = GROUND
WHITE = NEUTRAL

Wiring Diagram (OC2421 Stainless Steel Base)

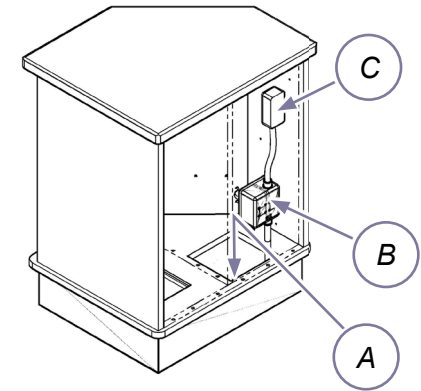


Equipment Alert

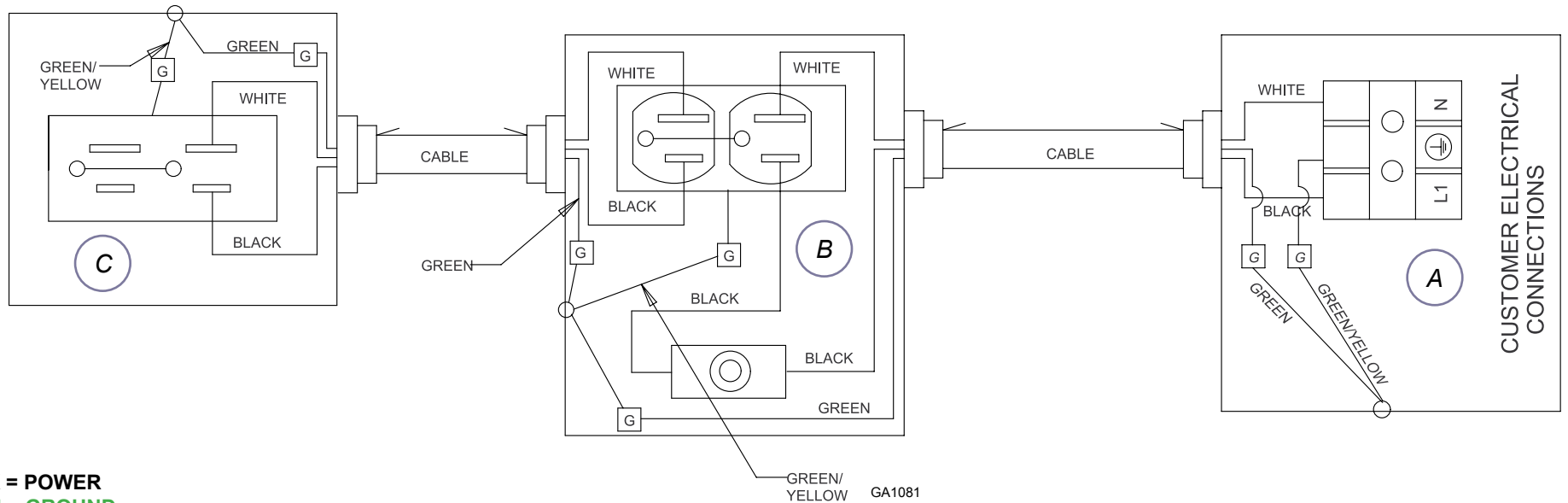
Dedicated branch circuit rated at 20A, 115V~, 60Hz

Note:

All wiring must be installed by a licensed electrician following applicable local, city and national codes. Failure to comply could result in an overload of the electrical circuit and/or components. Midmark cannot be held responsible for installations that do not conform to local codes.



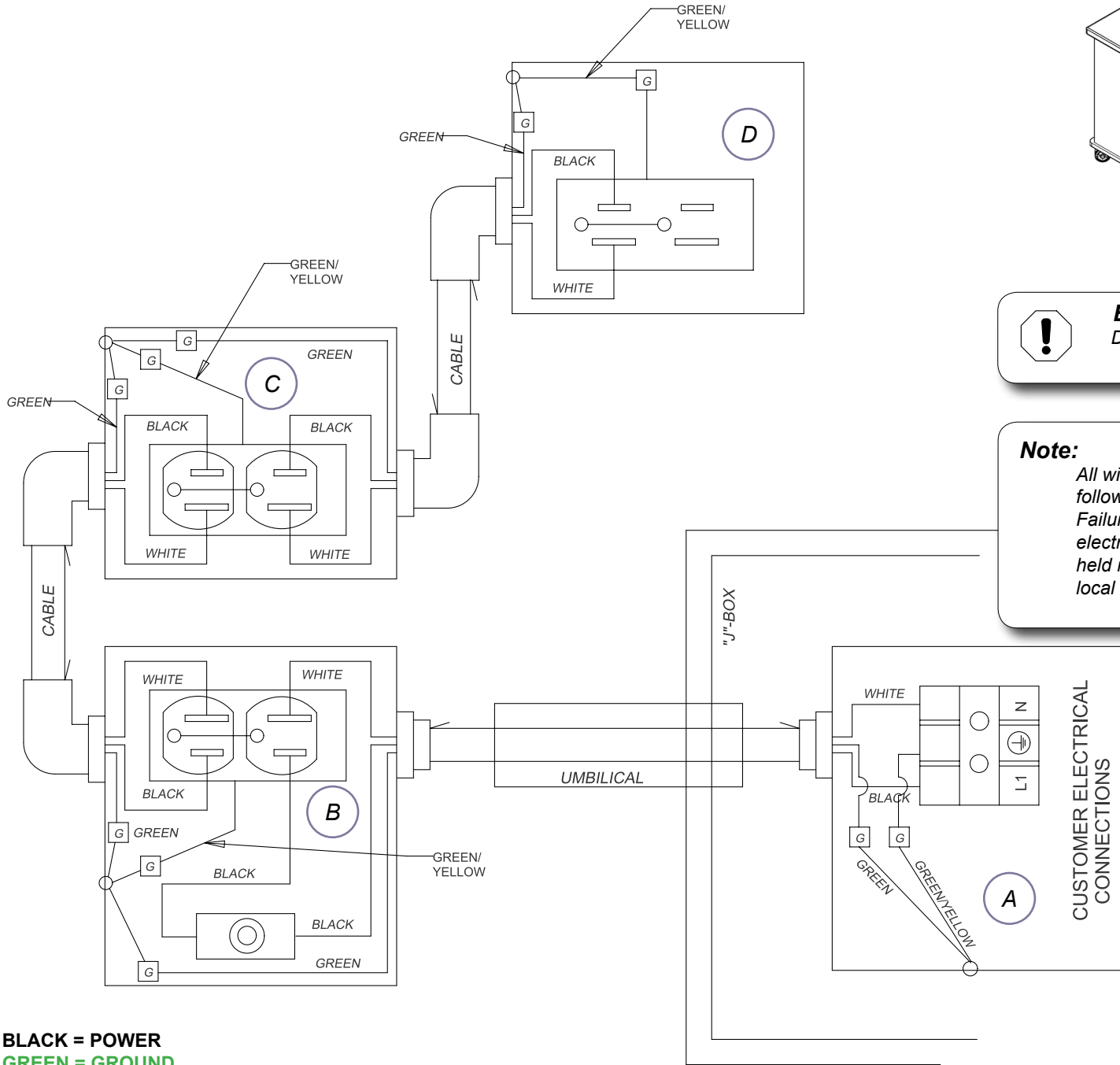
GA1057



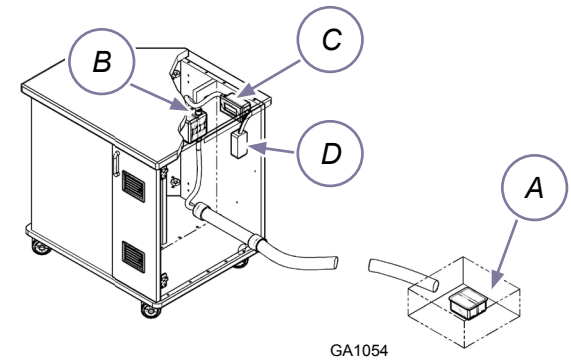
BLACK = POWER
GREEN = GROUND
WHITE = NEUTRAL

GA1081

Wiring Diagram (OC2429 Mobile)



BLACK = POWER
GREEN = GROUND
WHITE = NEUTRAL

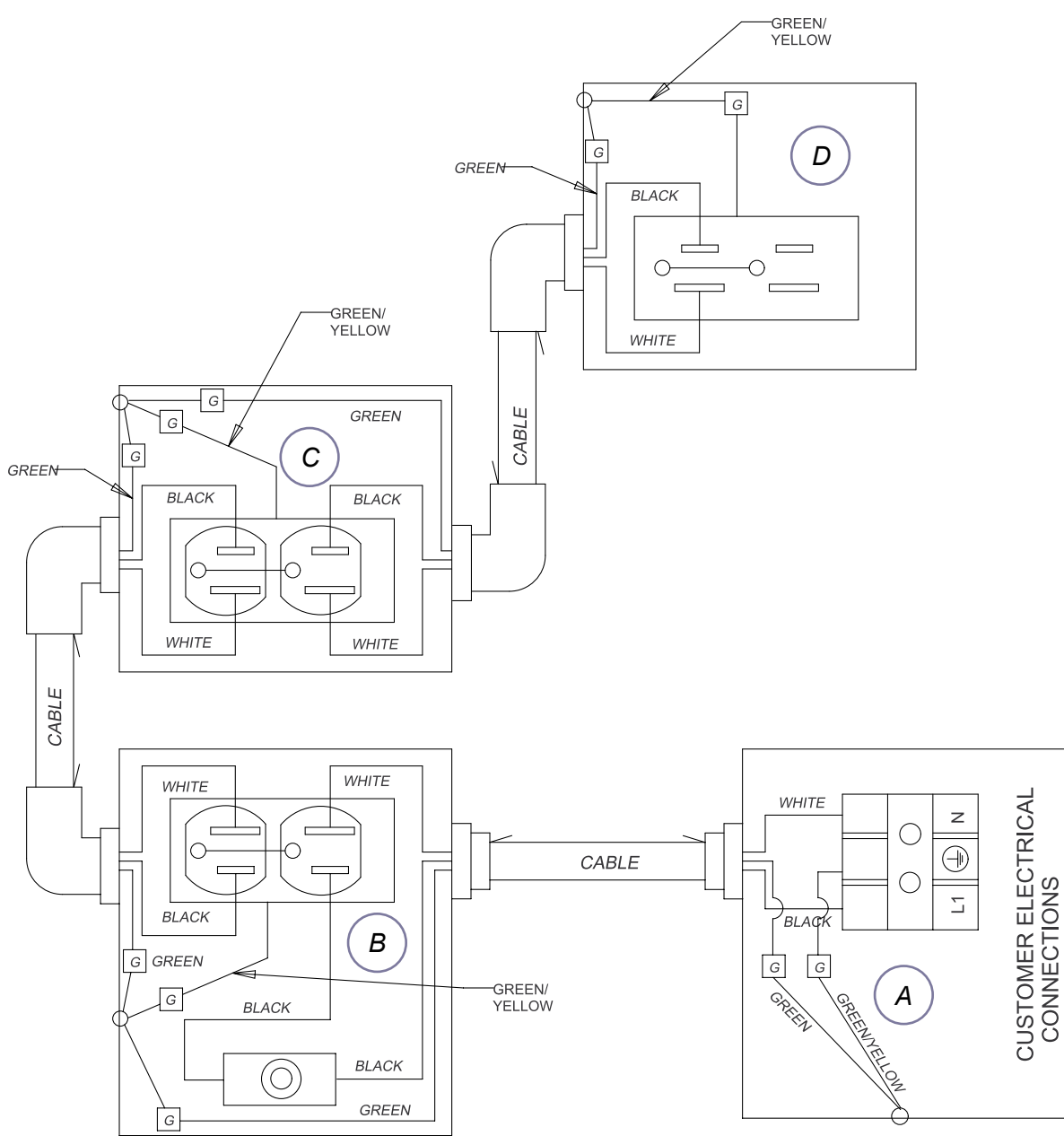


Equipment Alert
 Dedicated branch circuit rated at 20A, 115V~, 60Hz

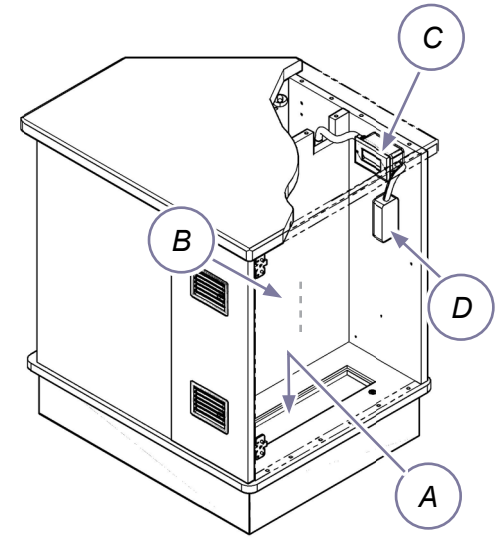
Note:
 All wiring must be installed by a licensed electrician following applicable local, city and national codes. Failure to comply could result in an overload of the electrical circuit and/or components. Midmark cannot be held responsible for installations that do not conform to local codes.

GA1080

Wiring Diagram (OC2429 Stainless Steel Base)



GA1080



GA1055

Equipment Alert
 Dedicated branch circuit rated at 20A, 115V~, 60Hz

Note:
 All wiring must be installed by a licensed electrician following applicable local, city and national codes. Failure to comply could result in an overload of the electrical circuit and/or components. Midmark cannot be held responsible for installations that do not conform to local codes.

BLACK = POWER
GREEN = GROUND
WHITE = NEUTRAL

Cleaning / Maintenance (Casework)

Disinfecting Procedures for External Surfaces

Attention!

Midmark assumes no responsibility or liability for any result, expressed or implied. These are suggested practices, based on the best information available at this time.



Equipment Alert

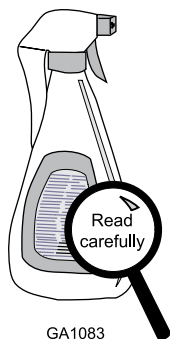
- Users should not use cleaning or decontamination methods different from those recommended by the manufacturer without first checking with the manufacturer that the proposed methods will not damage the equipment.
- Midmark's dental equipment is manufactured from the most chemical-resistant materials available. However, no material is impervious to every chemical. Using protective barriers is the most effective method to prevent equipment damage.
- Use only moist cloth with appropriate cleaner for cleaning casework.

Cleaning and Disinfectant Procedures

Use cleaners and disinfectants that are appropriate for the situation such as warm water and mild detergents, or an ammonia based cleaner.

NOTE: Every dental practice is different, and no single disinfectant is the best choice for every facility. Listed below are some organizations to assist you in choosing the best disinfectants available for your practice.

- Organization for Safety & Asepsis Procedures: <http://www.osap.org>
- American Dental Association: <http://www.ada.org>
- Dept. of Health & Human Resources Centers for Disease Control & Prevention (CDC): <http://www.cdc.gov>

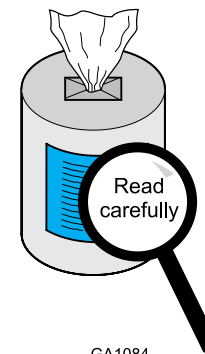


GA1083

When using disinfectants...

Carefully read the product label and directions for use.
Do not exceed the dilution rate.

Read all labels carefully!



GA1084

Cleaning and Maintenance (Solid Surface)



GA1082

Caring for your Solid Surface countertop is as simple as wiping the surface with a damp cloth. If a stain develops, wipe it away with soap and water. Or if you prefer wipe it clean with ammonia based cleaner.

*If a stain doesn't respond to soap and water, for a matte finish, apply an abrasive cleanser and buff with a Scotch-Brite pad using a circular motion. The same technique can be used for burns. **If you have a gloss finish, please contact your dealer or fabricator before attempting repairs.***

For minor cuts and scratches, simply sand lightly with a medium (220 grit) sandpaper, then follow with a fine (320 grit) sandpaper. Finally, touch up the finish by buffing with a Scotch-Brite™ pad.



Caution

Do not expose the surface to harsh chemicals, such as paint remover, turpentine, nail polish remover or stove and drain cleaners. If these chemicals come in contact with the surface, immediately wash them off with water, using appropriate safety measures to avoid injury.



Because we care.