



# 12:00 Monitor Mount

**Contents:**  
Installation ..... 1

**Special Tools:**  
none

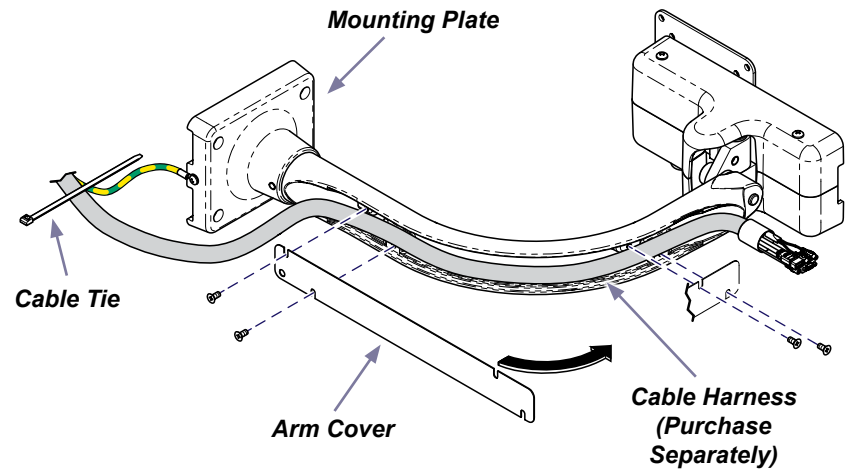
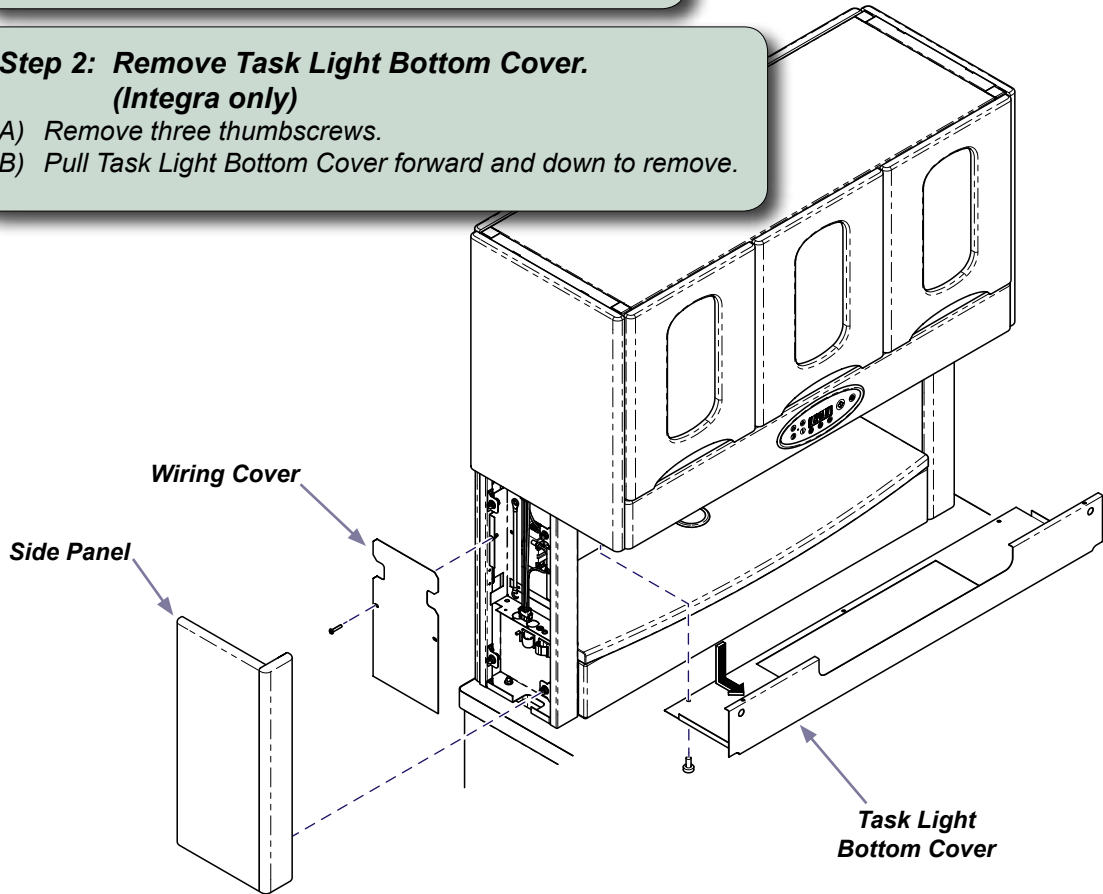
Language of origin: English

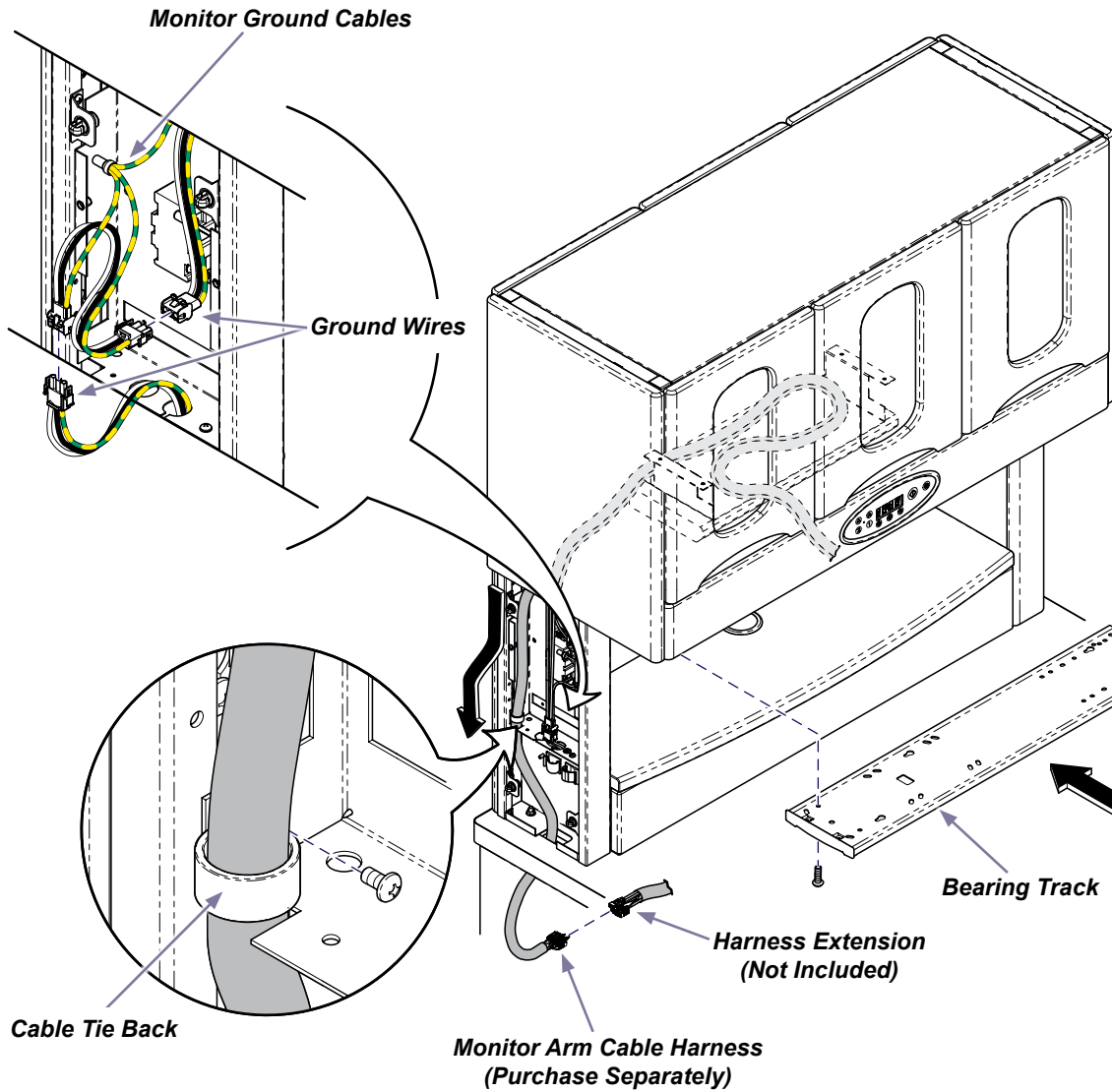
**Intended Use:**  
To mount a monitor to Midmark 12:00 casework.

**Step 1: Remove LH side panel / wiring cover.**  
*(Integra only)*  
A) Pull side panel straight out to remove.  
B) Remove two screws and wiring cover.

**Step 2: Remove Task Light Bottom Cover.**  
*(Integra only)*  
A) Remove three thumbscrews.  
B) Pull Task Light Bottom Cover forward and down to remove.

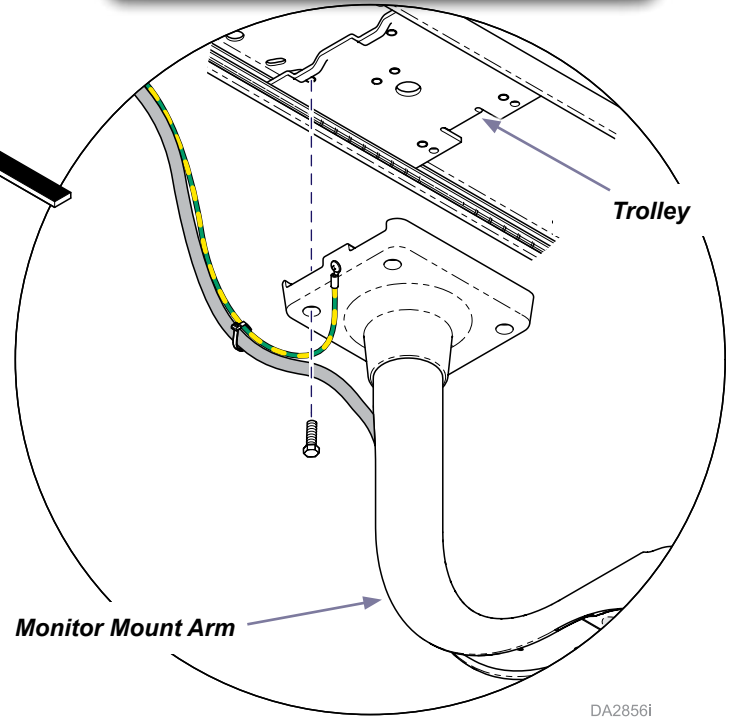
**Step 3: Install cable harness & ground cable.**  
A) Route cable harness in monitor arm.  
B) Install arm cover with four screws.  
C) Use cable ties as needed to secure ground cable and cable harness.





[If bearing track is already installed, go to Step 5.]  
**Step 4: Install bearing track. (Integra only)**  
 A) Align bearing track with mounting holes in bottom of upper cabinet.  
 B) Secure track with six screws.

**Step 5: Install monitor mount arm.**  
 A) Align monitor with holes in trolley.  
 B) Secure with four screws.



[If installed on Artizan casework, go to Step 7.]  
**Step 6: Route / connect cable harnesses and ground cable. (Integra only)**  
 A) Route monitor arm cable harness and ground cable down thru top of side wall as shown.  
 B) Install cable tie back.  
 C) Connect monitor arm cable harness to harness extension.  
 D) Disconnect ground wires in side panel.  
 E) Connect ground cables from monitor to ground wires as shown.

DA2856i

**Step 7: Remove side panel.  
(Artizan only)**

A) Push panel forward and pullout.

Monitor Arm  
Cable Harness  
(Purchase  
Separately)

Harness Extension  
(Not Included)

Ground Cable

**Step 8: Remove drawer assembly.  
(Artizan only)**

A) Pull drawer out.  
B) Rotate downwards and pull up.

**Step 9: Route / connect cable harnesses and ground cable.  
(Artizan only)**

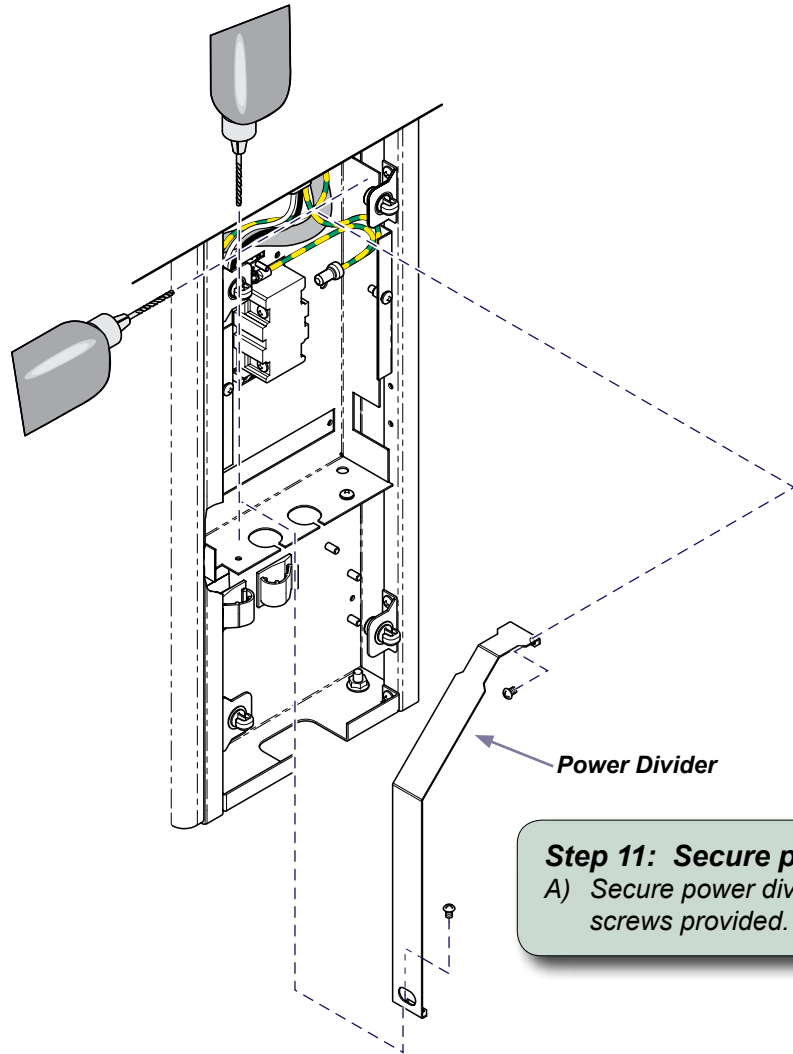
A) Route monitor arm cable harness and ground cable down thru top of side wall as shown.  
B) Connect monitor arm cable harness to harness extension.  
C) Remove electrical box cover and connect ground cable.

DA3232i

[If power divider is already installed, go to Step 12.]

**Step 10: Install power divider. (Integra only)**

- A) Use divider to mark where hole pattern in cabinet.
- B) Drill cabinet with 5/32" drill bit.



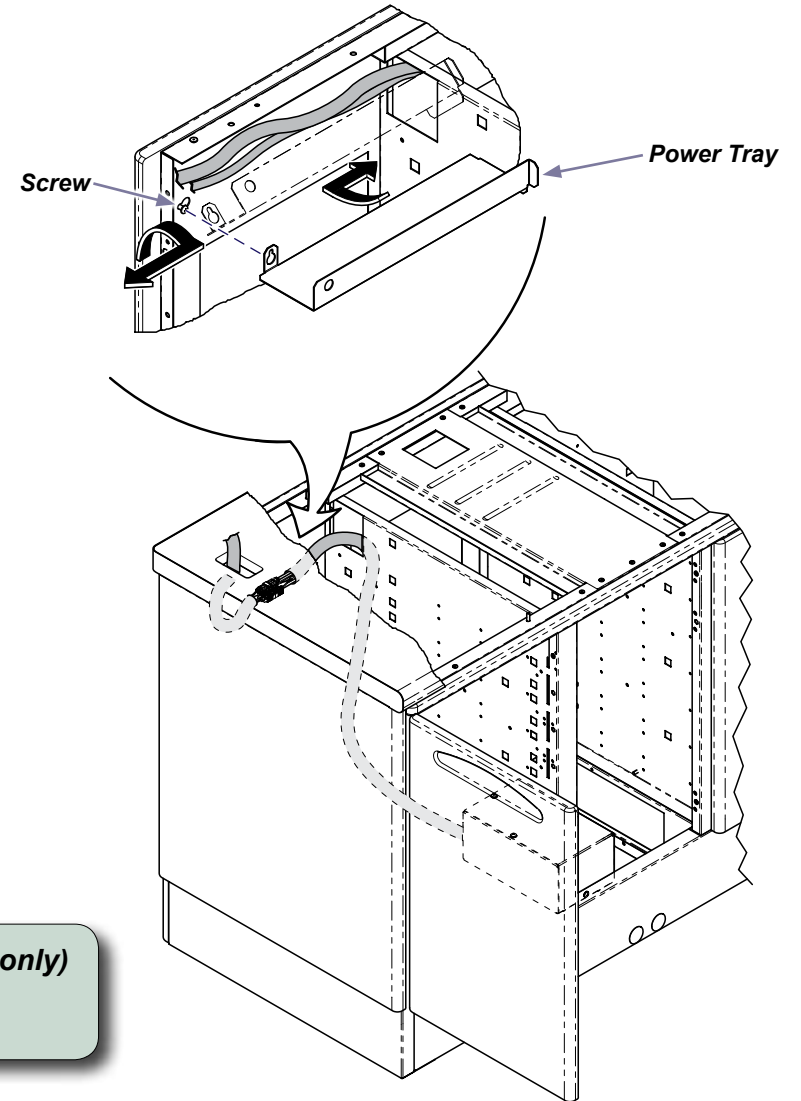
Power Divider

**Step 11: Secure power divider. (Integra only)**

- A) Secure power divider with self-tapping screws provided.

**Step 12: Install power tray. (Integra only)**

- A) Loosen screw in the back of cabinet.
- B) Position power tray in cabinet and secure with screw.



Screw

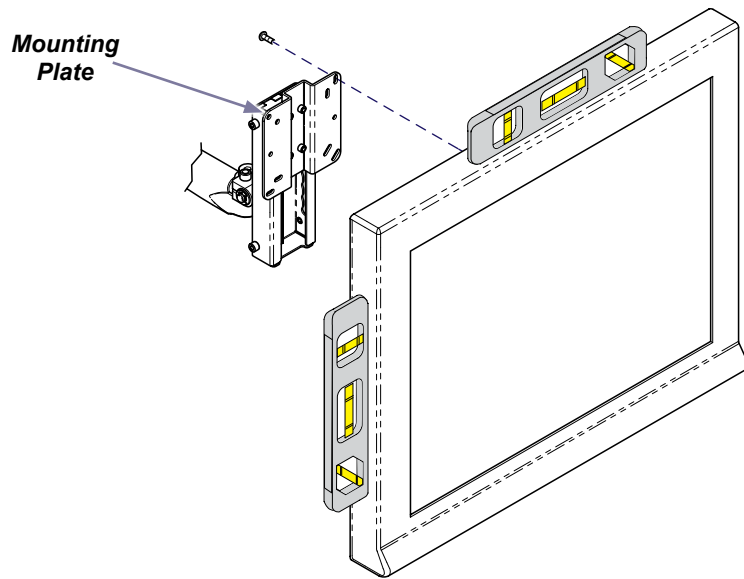
Power Tray

DA2861i

**Step 13: Install monitor.**

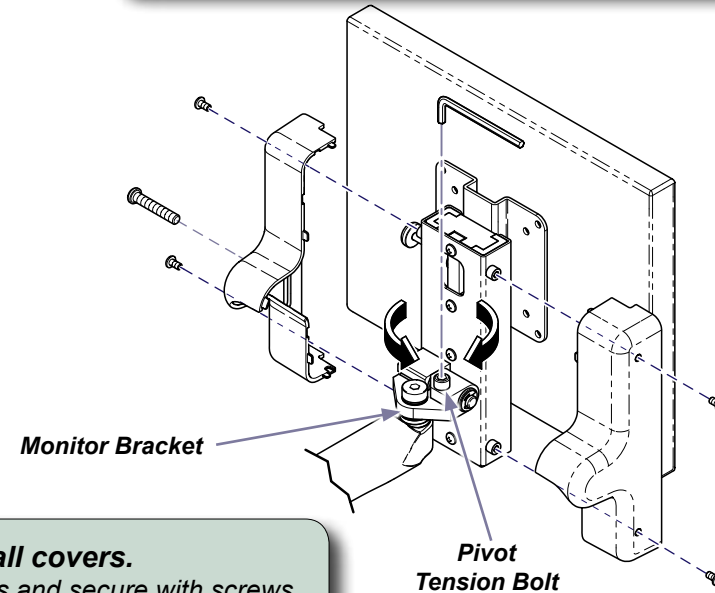
Attach monitor to mounting plate with four screws and level before tightening.

Note: May use monitor screws or Midmark provided screws..



**Step 14: Adjust Monitor Tension if necessary.**

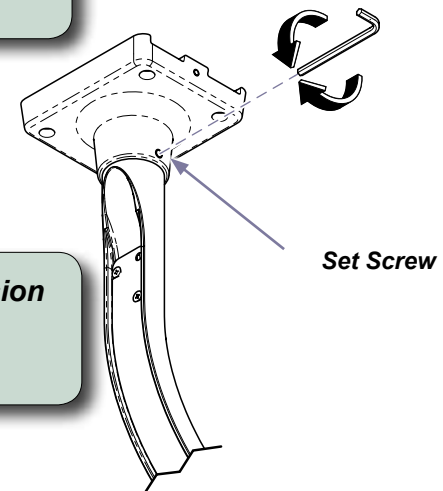
A) Tighten / loosen bolt to adjust pivot tension.



**Step 15: Install covers.**

A) Install covers and secure with screws.

Note: Adjust Monitor height to top position before installing covers.



**Step 16: Adjust Monitor Arm Tension if necessary**

A) Tighten or loosen with allen wrench.

DA29371