



M11 Cassette Racks [9A215]

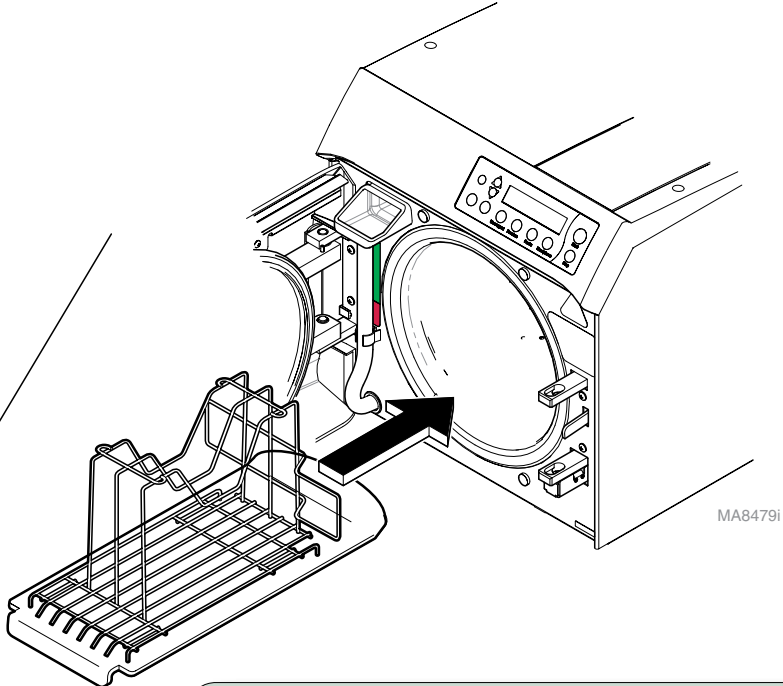
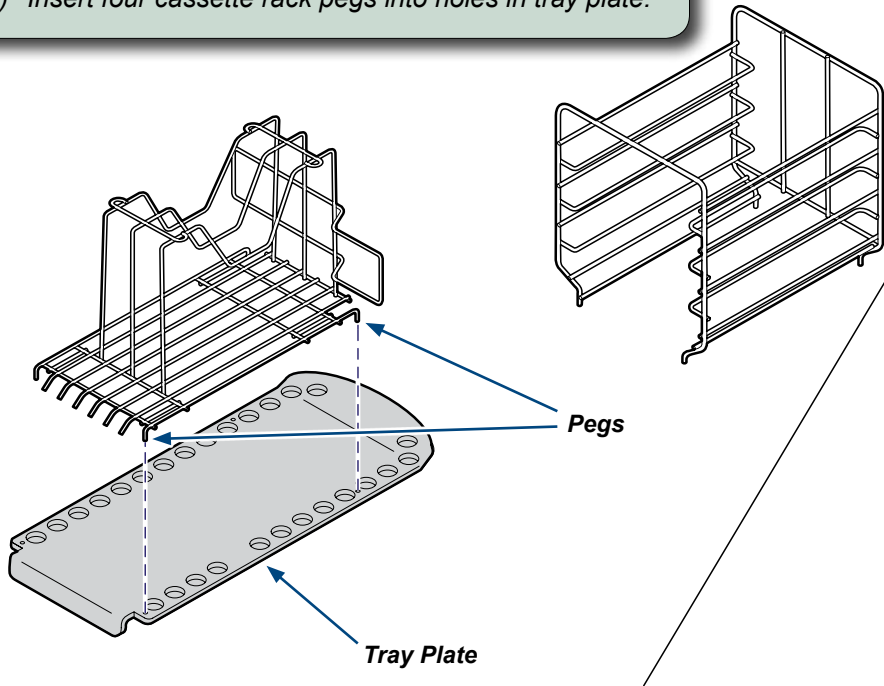
Contents:
 Installation 1
 Exploded View 2

Special Tools:
 none

Language of origin: English

Caution
 The tray plate must be in place when using the cassette rack.
 Failure to comply may result in equipment damage or personal injury.

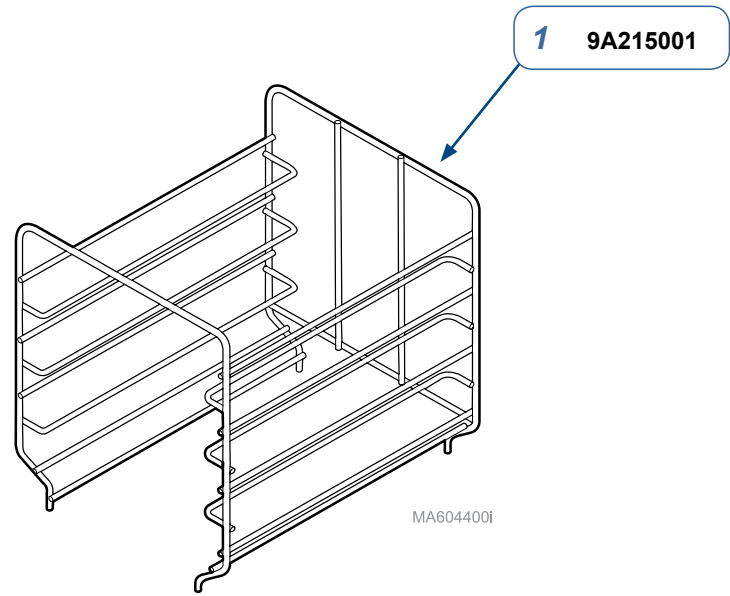
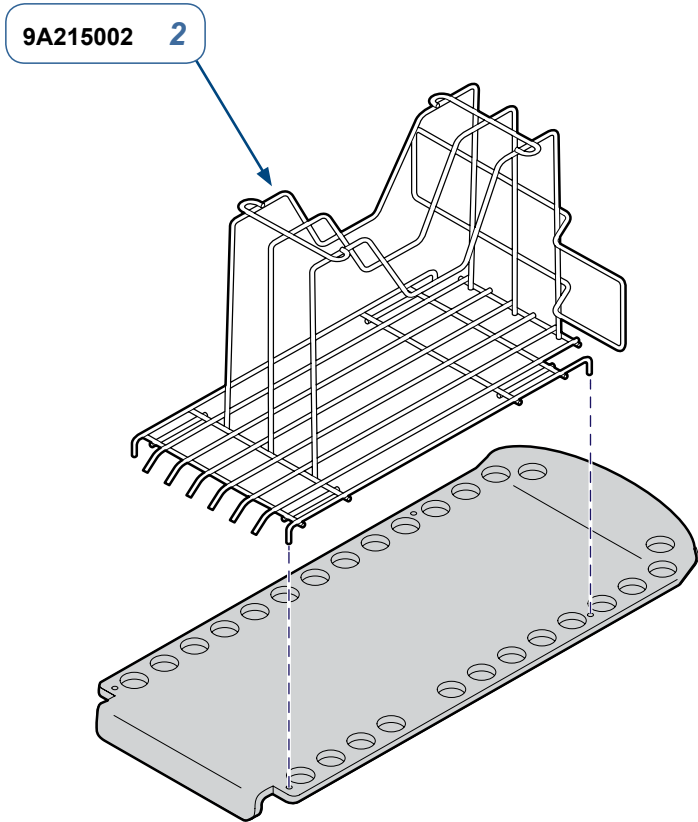
Step 1: Install cassette rack onto tray plate.
 A) Remove tray plate from autoclave.
 B) Insert four cassette rack pegs into holes in tray plate.



Equipment Alert
 Do not allow tray plate to contact water level sensor.
 Failure to comply may result in an Error condition.

Step 2: Install cassette rack / tray plate.
 A) Insert rack / plate into chamber as shown.
 B) Slide rack / plate all the way to the back of the chamber.

TP200 Rev. A



Serial Numbers / Dates: all

Cassette Racks for M11 Autoclave		
Item	Description	Qty.
1	Horizontal Cassette Rack	1
2	Vertical Cassette Rack	1