

Base Cabinet Drawer Single Keyed Lock Installation [002-1901-xx]

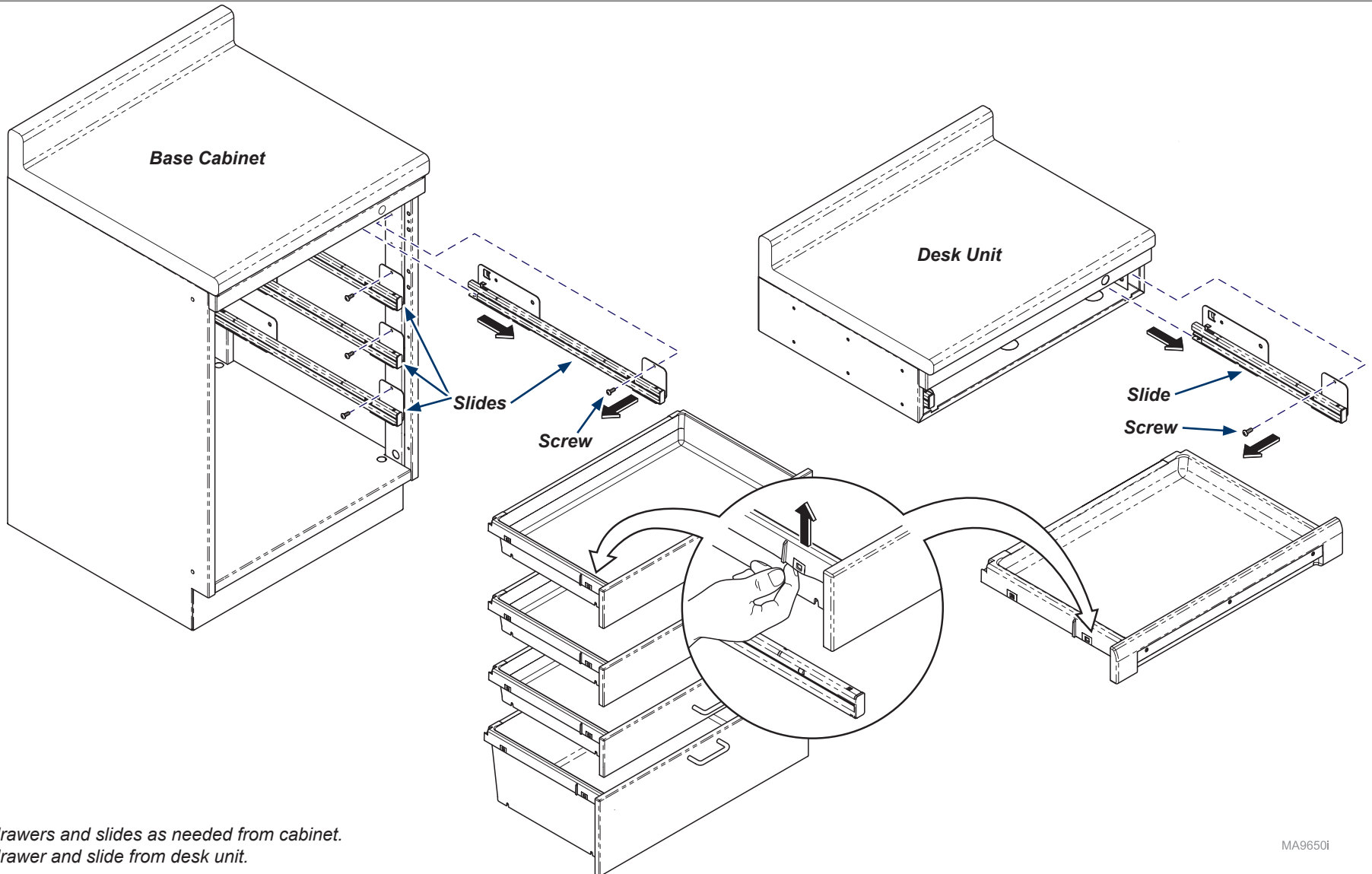
Contents:
 Installation 1-4
 Exploded View 5

Special Tools:
 none

Language of origin: English

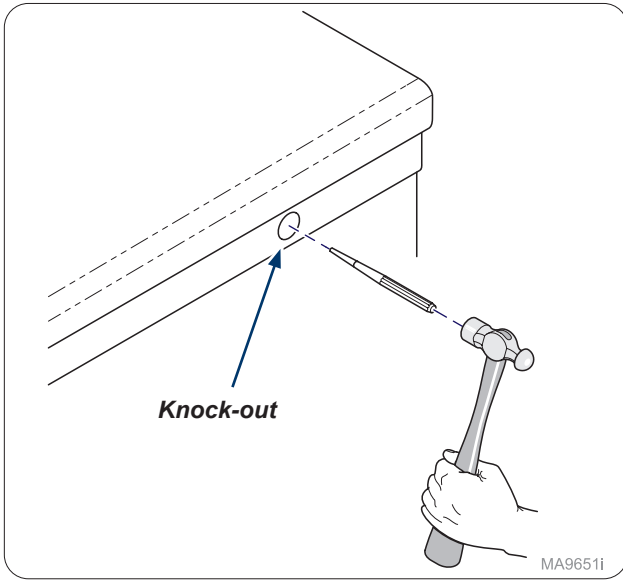
Note

This install can be used for any Base Cabinet Single Drawer Keyed Lock installation. The assembly process will be the same. The Lock Bar will be a different size depending on the number of drawers.



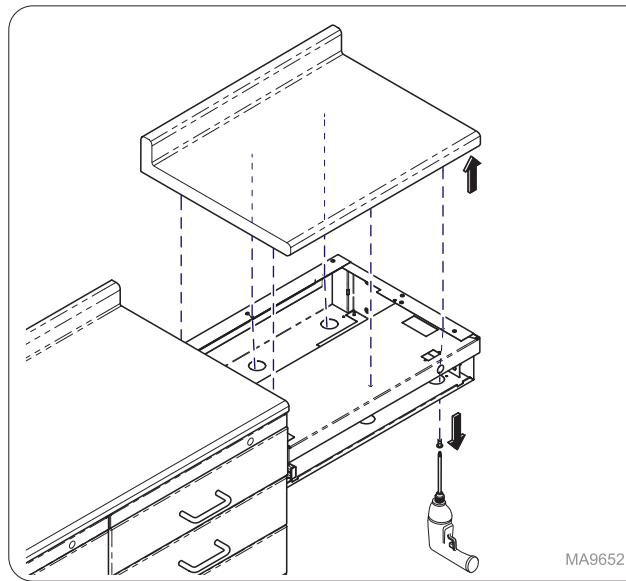
Step 1:
 Remove drawers and slides as needed from cabinet.
 Remove drawer and slide from desk unit.

MA9650i



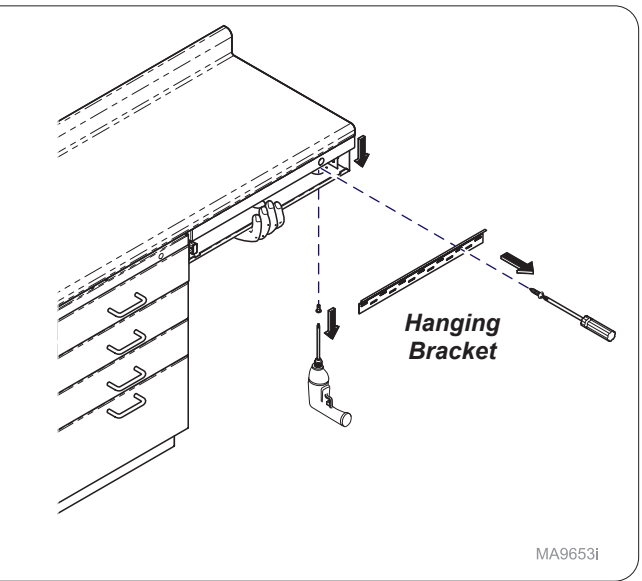
Step 2:
Remove knock-out with a punch.

MA9651i



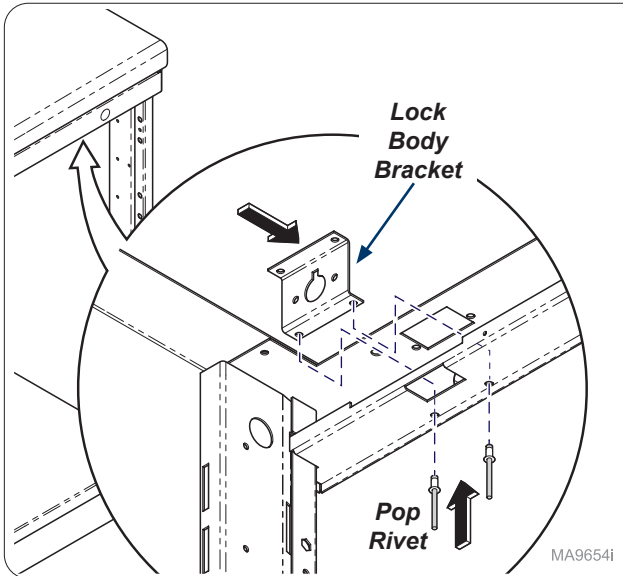
Step 3: Desk Units (only)
Remove screws in countertop and remove from desk unit.
Note: Only applies to drop down desk as shown.

MA9652i



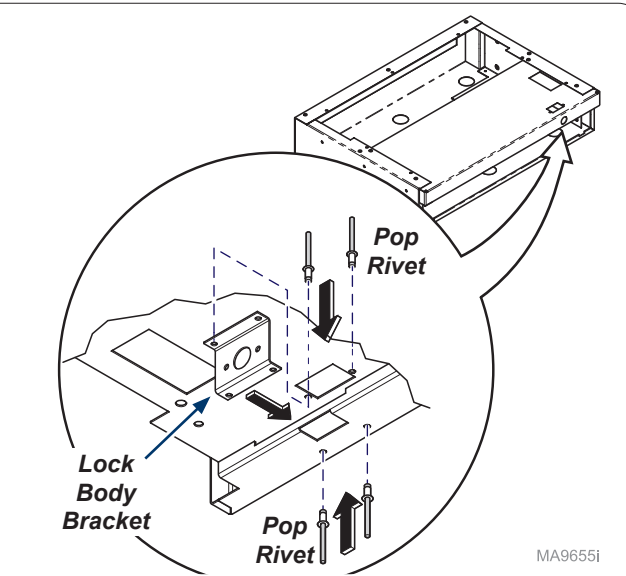
Step 3: Desk Units (only)
Remove screws from countertop, hold desk while removing hanging bracket from wall to remove desk unit.
Note: Only applies to desk units in a straight run.

MA9653i



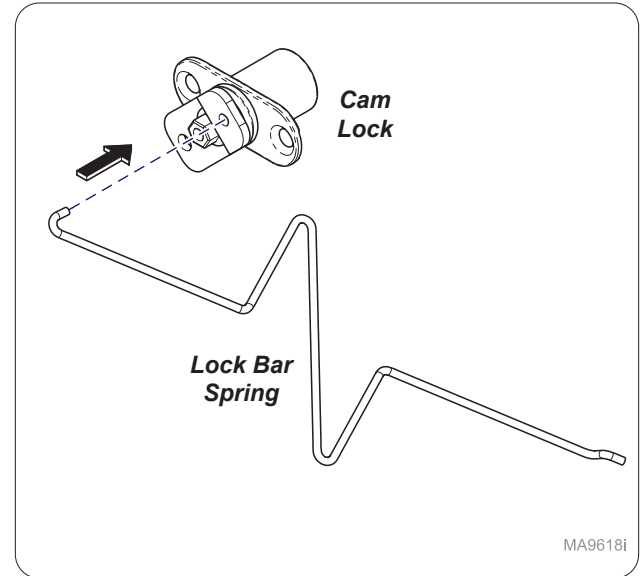
Step 4: Base Cabinet
Install lock body bracket into cabinet with pop rivets.

MA9654i



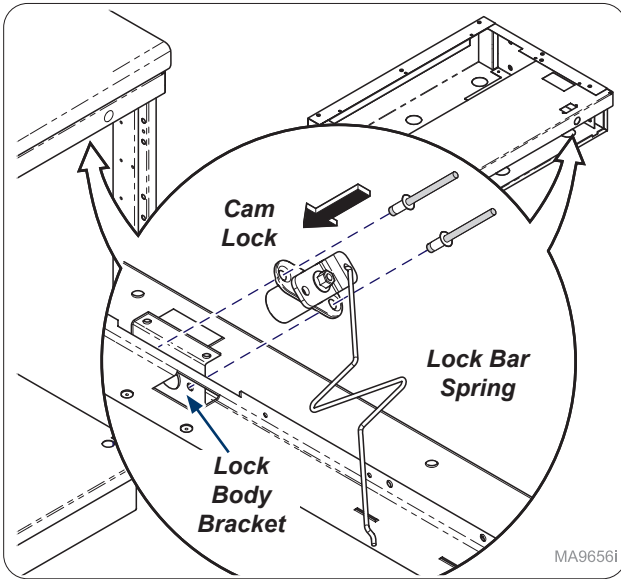
Step 4: Desk Unit
Install lock body bracket into desk unit with pop rivets.

MA9655i

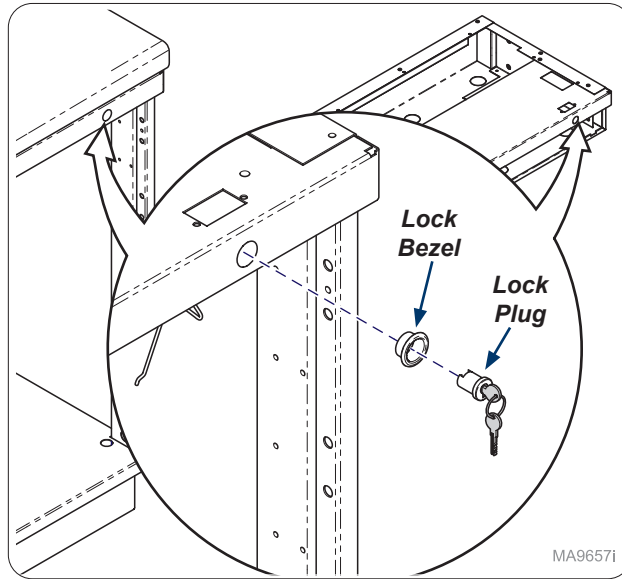


Step 5:
Assemble lock bar spring onto cam lock.

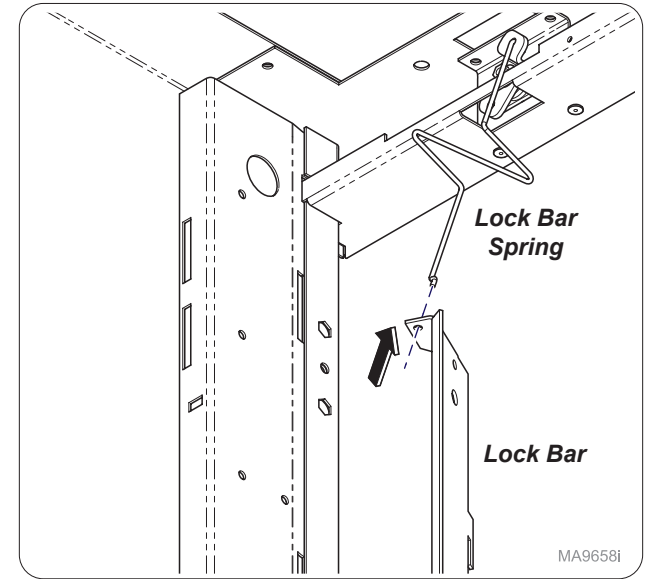
MA9618i



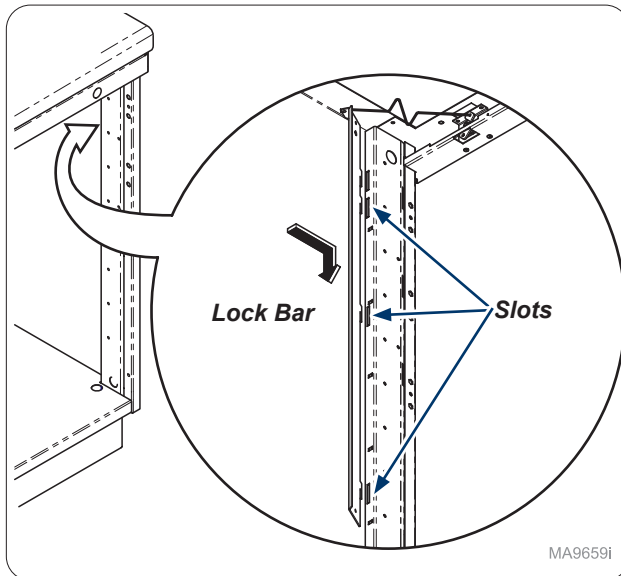
Step 6:
Install cam lock inside cabinet with lock bar spring attached to lock body bracket.



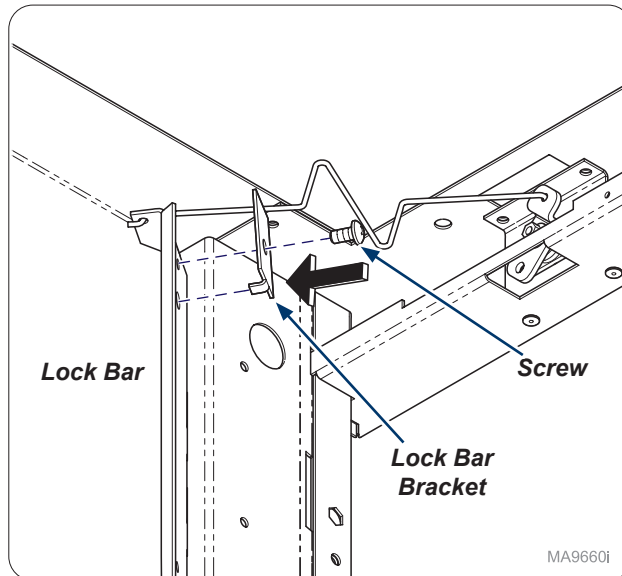
Step 7:
On outside of cabinet install lock bezel and lock plug.
Note: Cam should be in lock position as shown in next step.



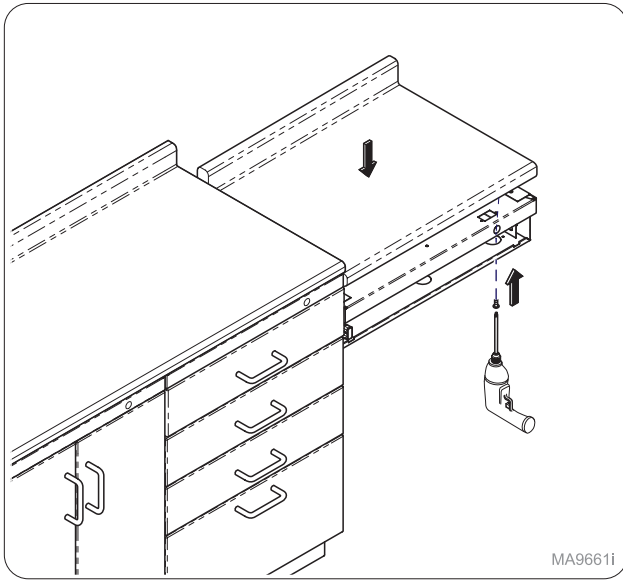
Step 8: (Base shown)
Install lock bar onto lock bar spring.
Note: Desk Unit is same assembly to install shorter lock bar.



Step 9: (Base shown)
Inside cabinet install lock bar into slots as shown.
Note: Lock bars will vary but assembly process is the same.



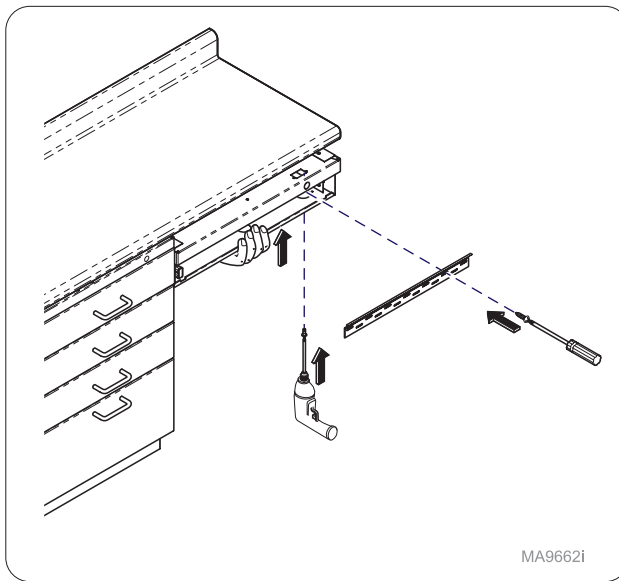
Step 10:
Secure lock bar bracket onto lock bar with screw provided.



MA9661i

Step 11: Desk Units (only)

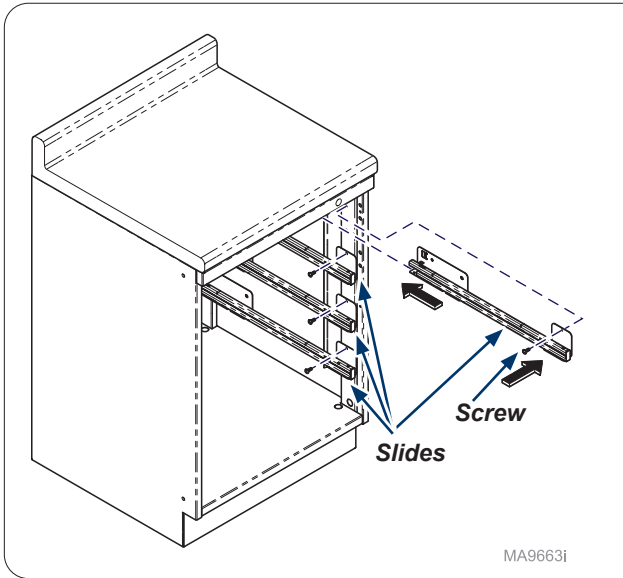
Install countertop to desk unit with screws.
 Note: **Only applies to drop down desk as shown.**



MA9662i

Step 12: Desk Units (only)

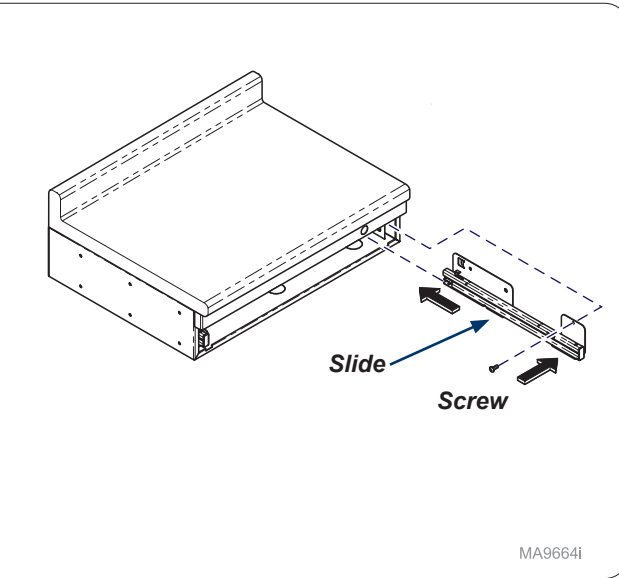
Install desk unit to countertop with screws and secure to wall with hanging bracket.
 Note: **Only applies to the desk as shown.**



MA9663i

Step 13:

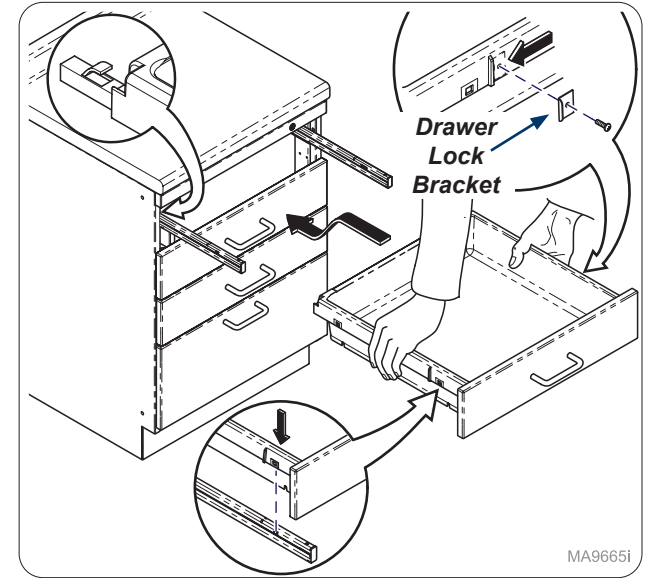
Re-install slides (4) with screws (4).



MA9664i

Step 13:

Re-install slide (1) with screw (1).



MA9665i

Step 14:

Install drawer lock bracket(s) onto drawer with provided screw(s). Re-install drawers and test lock. **Note: Numbers of bracket(s) and screw(s) will vary with number of drawers.**