

Tall Cabinet Drawer Single Keyed Lock Installation [002-1903-xx]

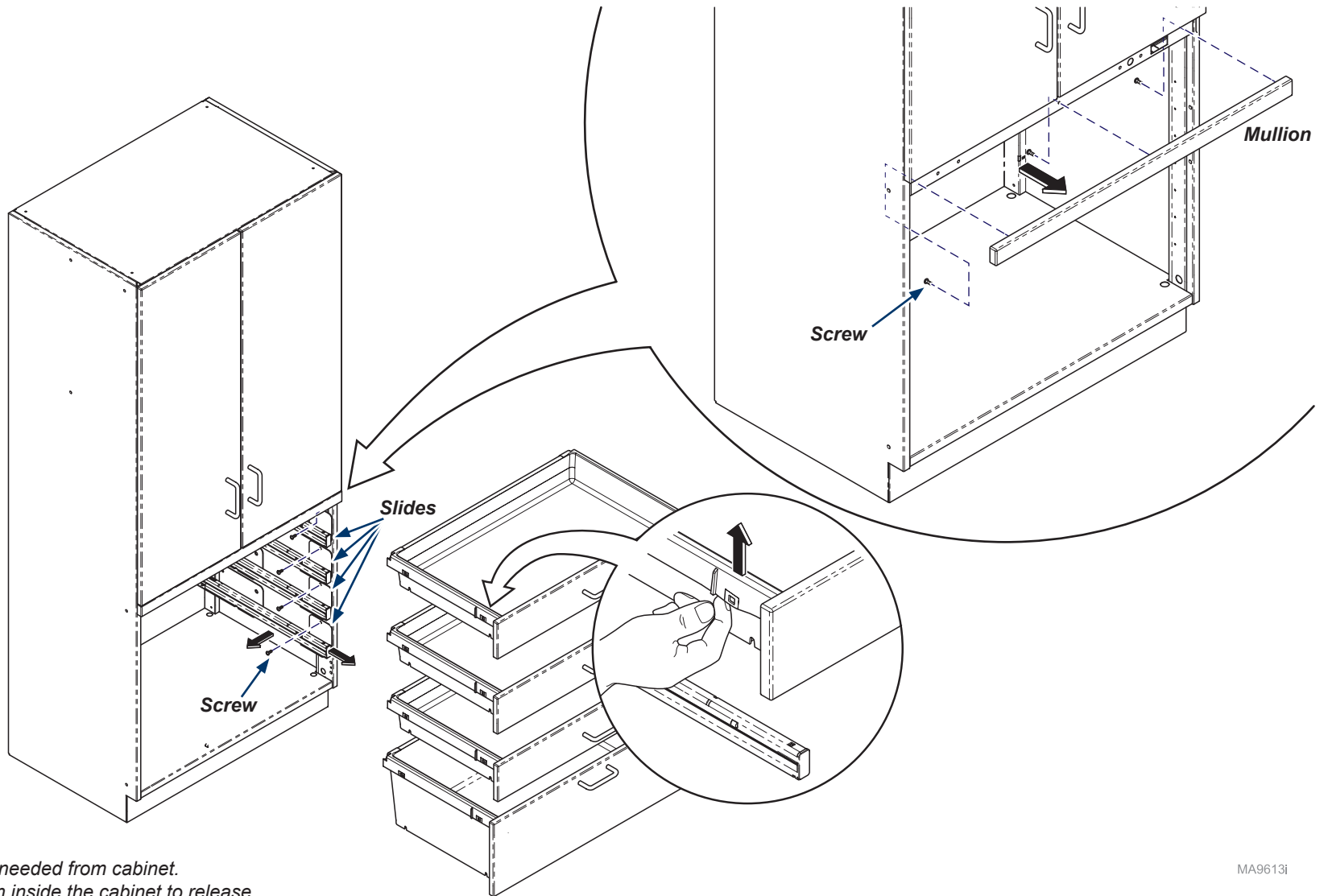
Contents:
 Installation 1-3
 Exploded View 4

Special Tools:
 none

Language of origin: English

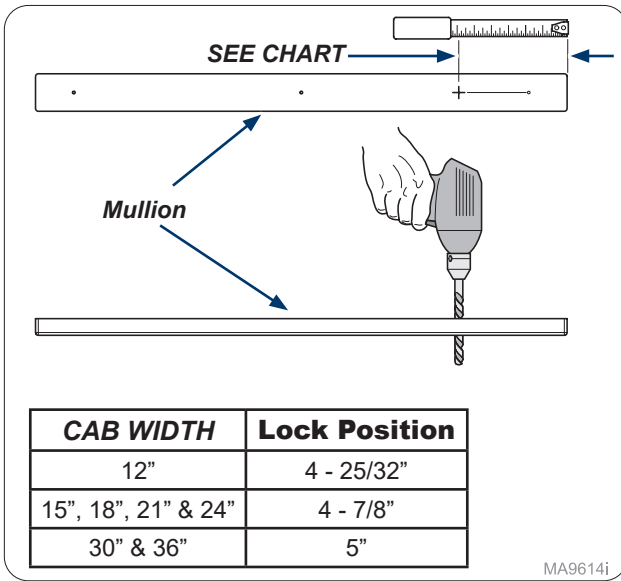
Note

This install can be used for any Tall Cabinet Single Drawer Keyed Lock installation. The assembly process will be the same. The Lock Bar will be a different size depending on the number of drawers.



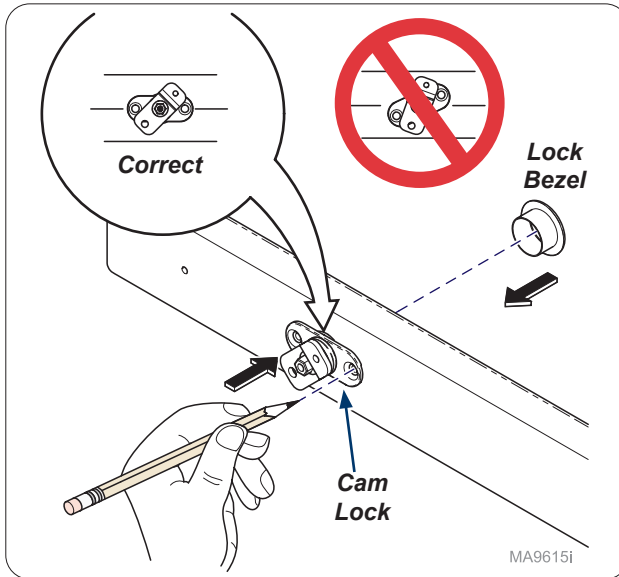
Step 1:
 Remove drawers and slides as needed from cabinet.
 Remove screws (3) from Mullion inside the cabinet to release.

MA9613i



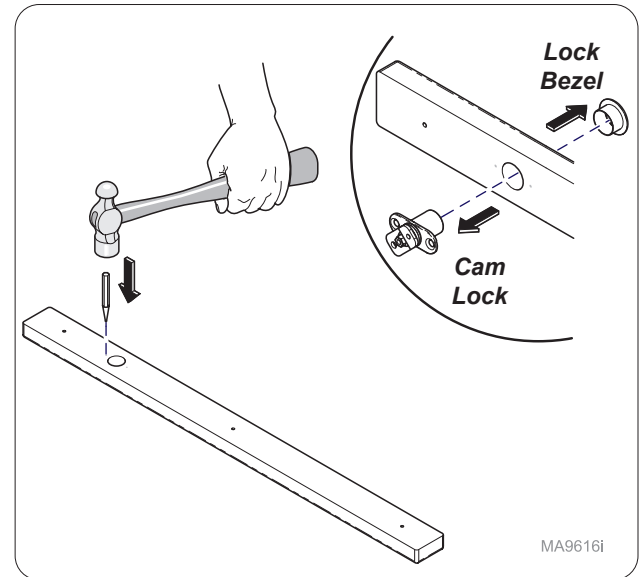
MA9614i

Step 2:
Measure from edge of mullion mark and drill 3/4" hole through mullion.



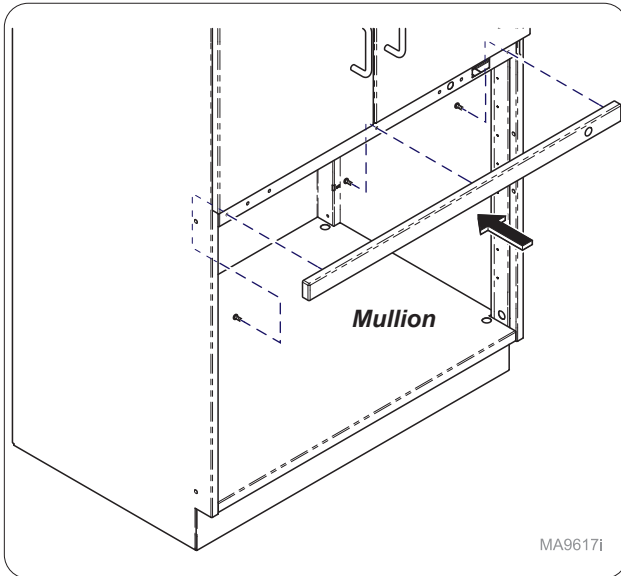
MA9615i

Step 3:
Insert cam lock and lock bezel loosely into hole and mark mounting holes as shown. **Note: Make sure Lock housing is parallel with mullion.**



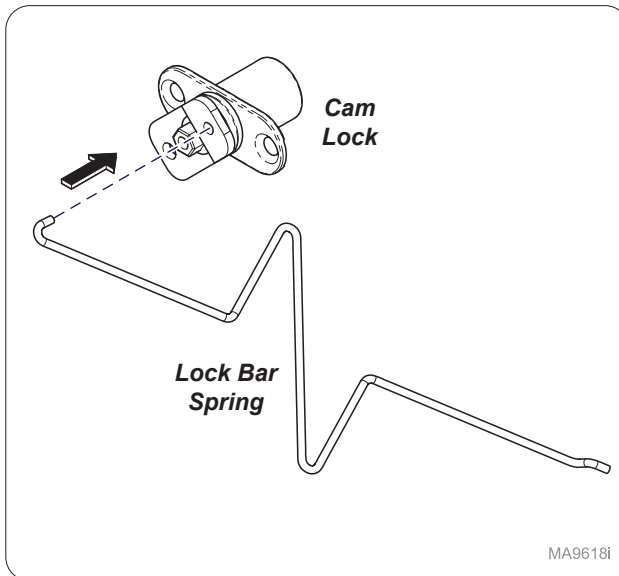
MA9616i

Step 4:
Remove cam lock and lock bezel and use hole punch and hammer to start mounting holes.



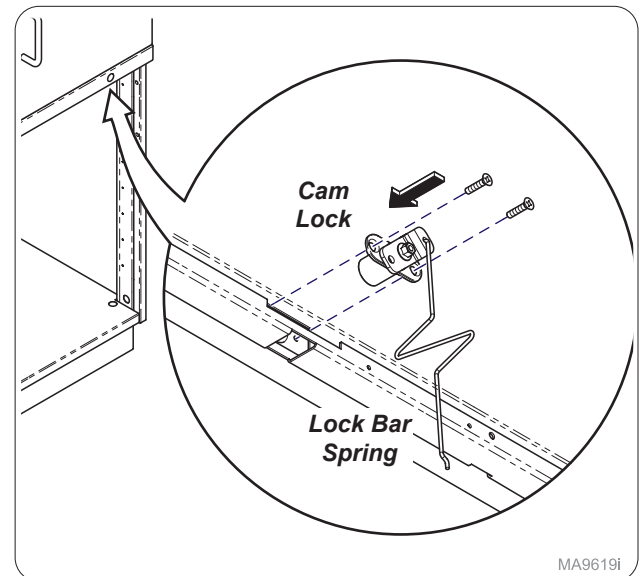
MA9617i

Step 5:
Install mullion onto cabinet with screws(3).



MA9618i

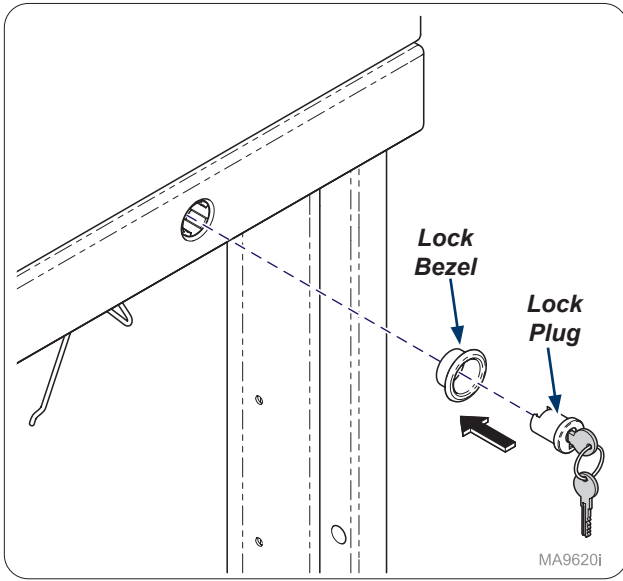
Step 6:
Assemble lock bar spring onto cam lock.



MA9619i

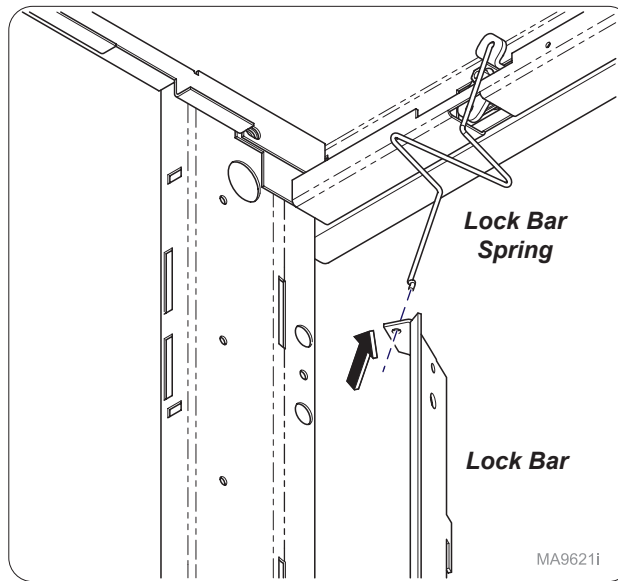
Step 7:
Install cam lock inside cabinet with lock bar spring attached.

TP200 Rev. A



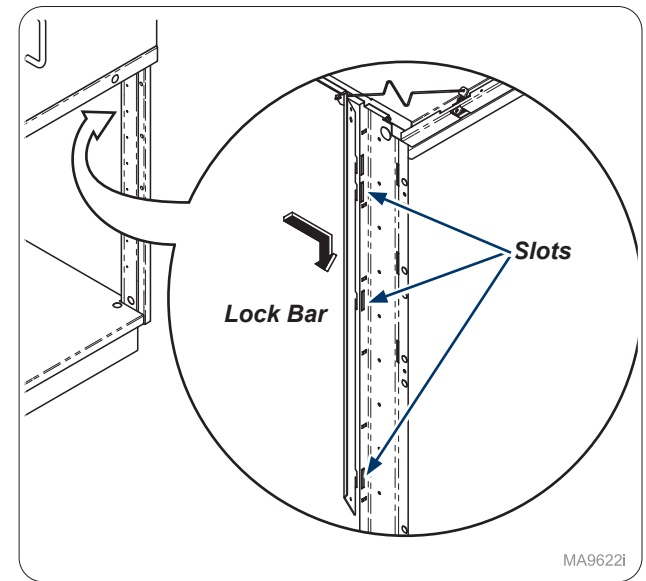
MA9620i

Step 8:
On outside of cabinet install lock bezel and lock plug.
Note: Cam should be in lock position as shown in next step.



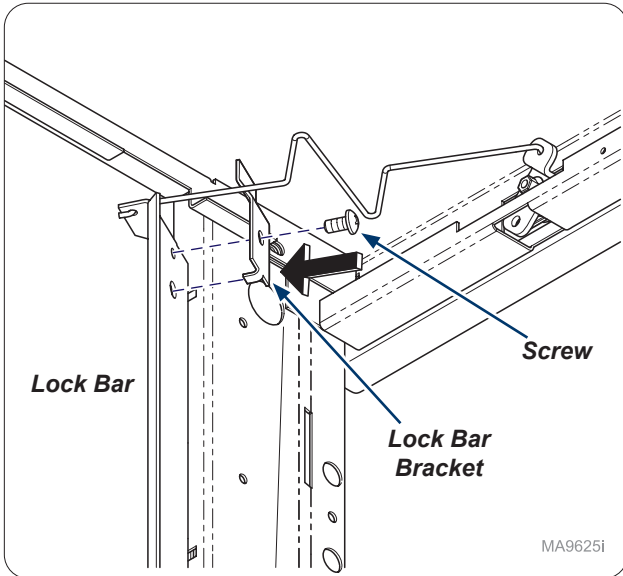
MA9621i

Step 9:
Install lock bar onto lock bar spring.



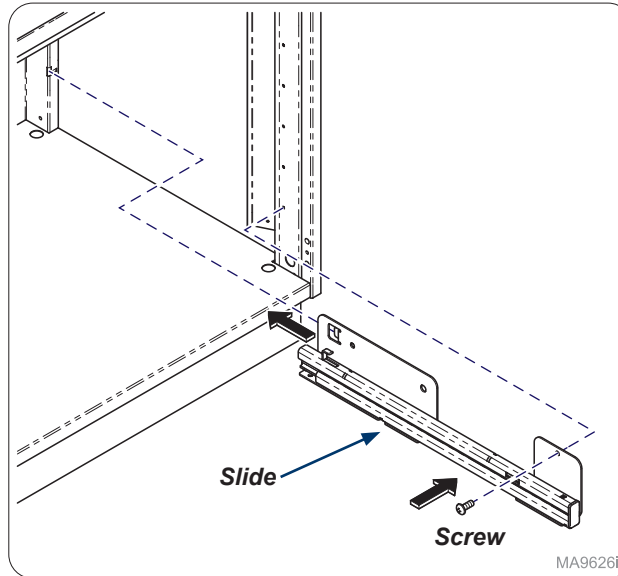
MA9622i

Step 10:
Inside cabinet install lock bar into slots as shown.
Note: Lock bars will vary but assembly process is the same.



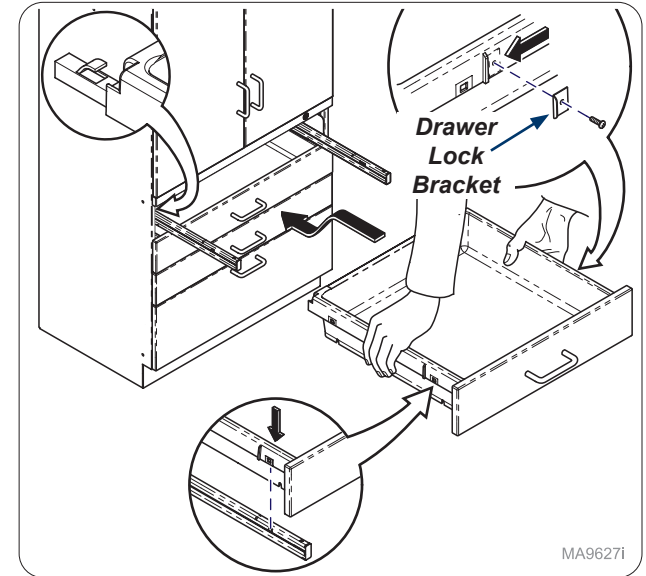
MA9625i

Step 11:
Secure lock bar bracket onto lock bar with screw provided.



MA9626i

Step 12:
Re-install slides (4) with screws (4).



MA9627i

Step 13:
Install drawer lock bracket(s) onto drawer with provided screw(s). Re-install drawers and test lock. **Note:** Numbers of bracket(s) and screw(s) will vary with number of drawers.