

# Tall Cabinet Drawer Keyed Double Lock Installation [002-1904-xx]

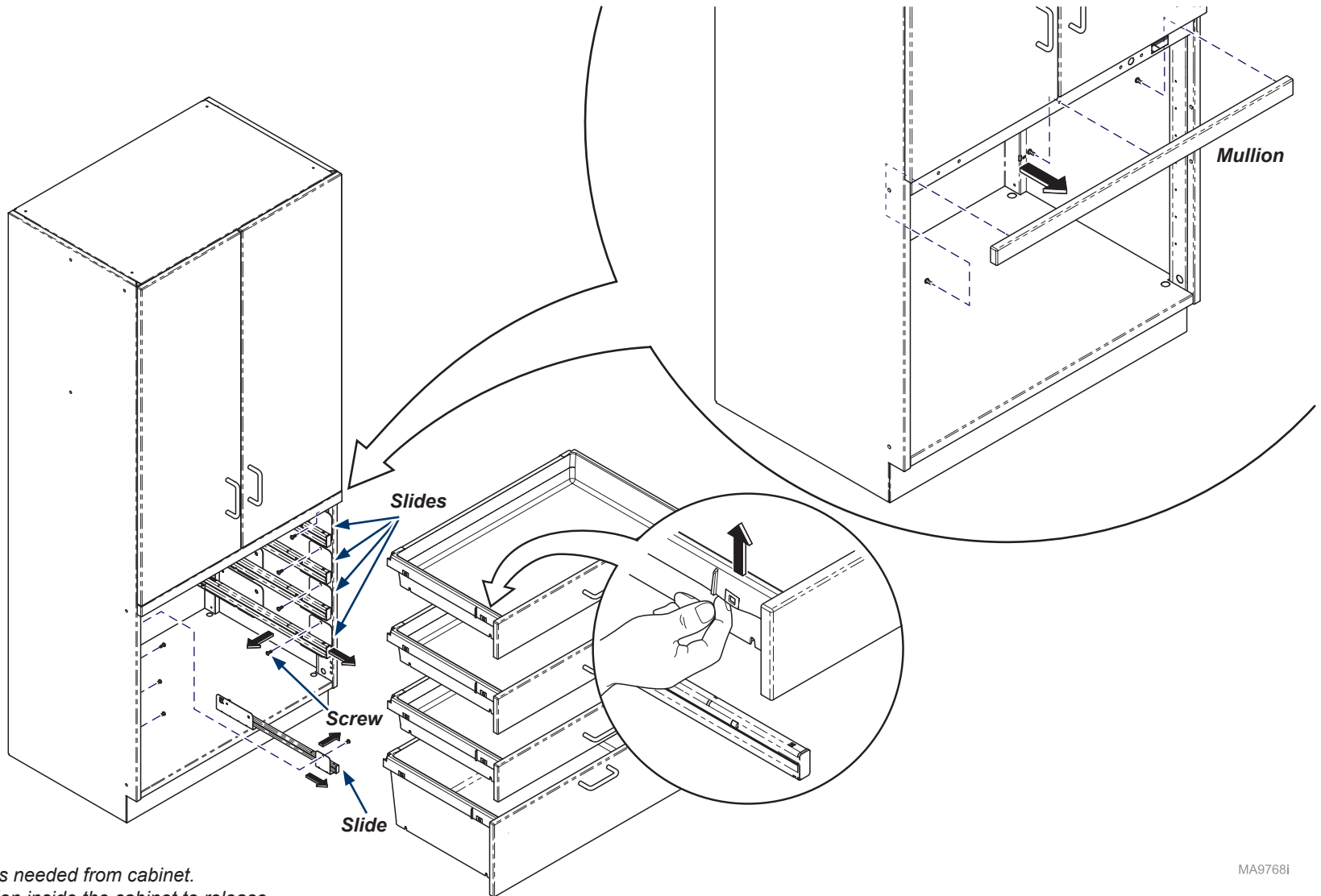
**Contents:**  
 Installation ..... 1-5  
 Exploded View ..... 6

**Special Tools:**  
 none

Language of origin: English

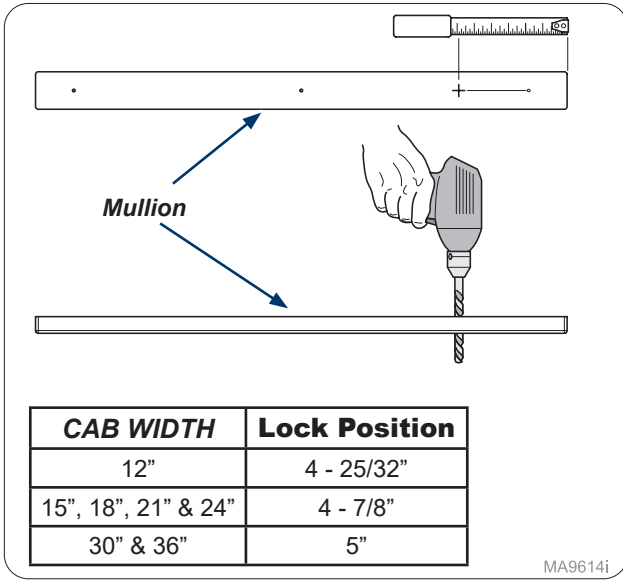
**Note**

This install can be used for any Tall Cabinet Double Drawer Keyed Lock installation. The assembly process will be the same. The Lock Bar will be a different size depending on the number of drawers.



**Step 1:**  
 Remove drawers and slides as needed from cabinet.  
 Remove screws (3) from Mullion inside the cabinet to release.

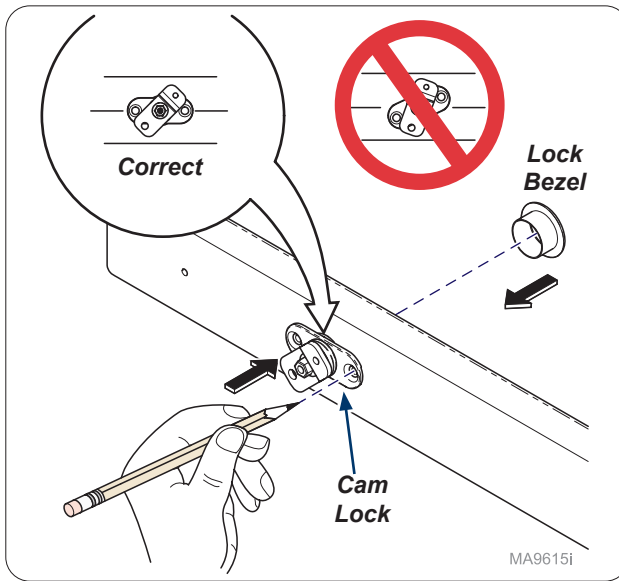
MA9768i



MA9614i

**Step 2:**

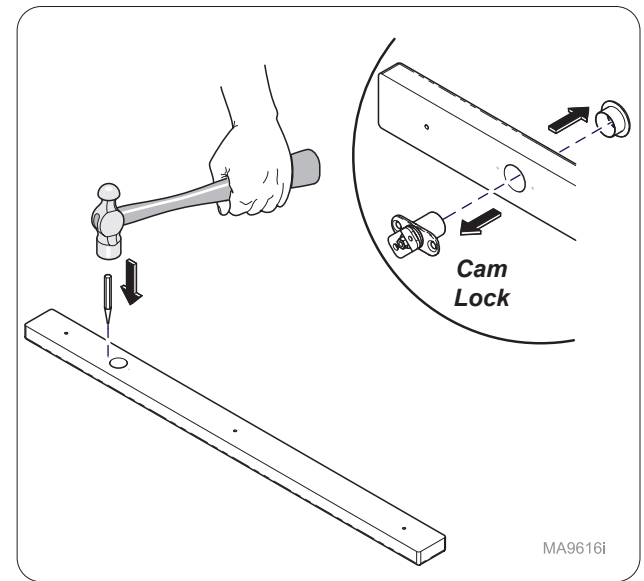
Measure from edge of mullion mark and drill 3/4" hole through mullion.



MA9615i

**Step 3:**

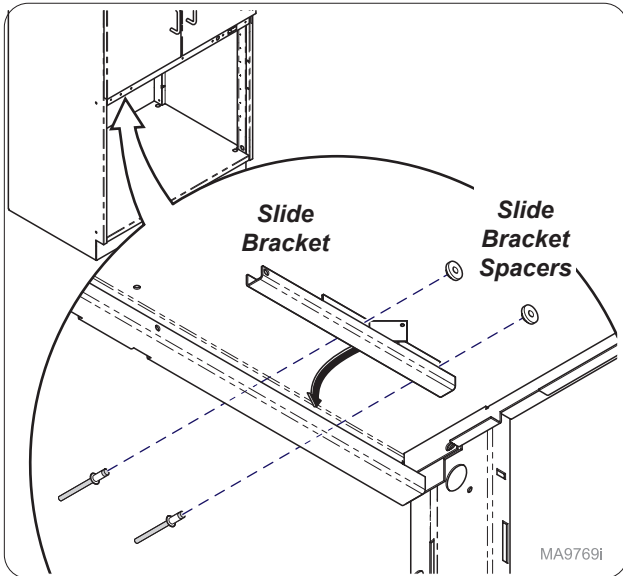
Insert cam lock and lock bezel loosely into hole and mark mounting holes as shown. **Note: Make sure Lock housing is parallel with mullion.**



MA9616i

**Step 4:**

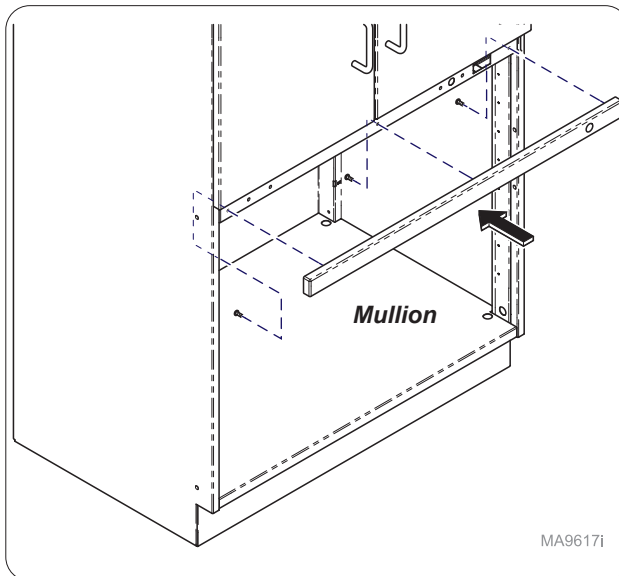
Remove cam lock and lock bezel and use hole punch and hammer to start mounting holes.



MA9769i

**Step 5:**

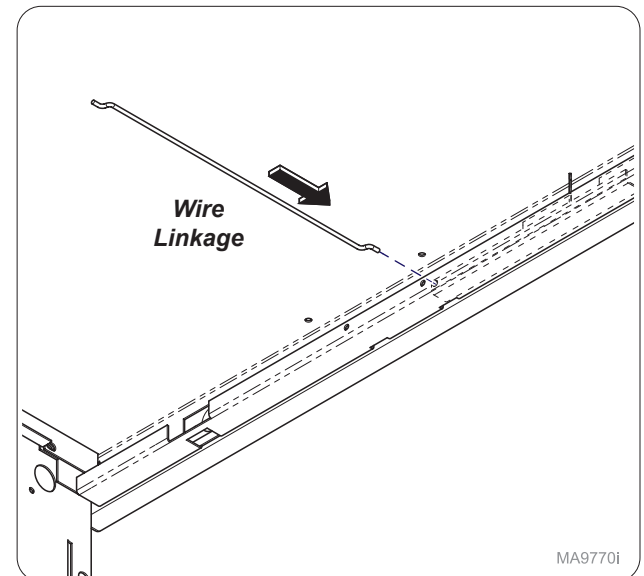
Install slide bracket and slide bracket spacers as shown.



MA9617i

**Step 6:**

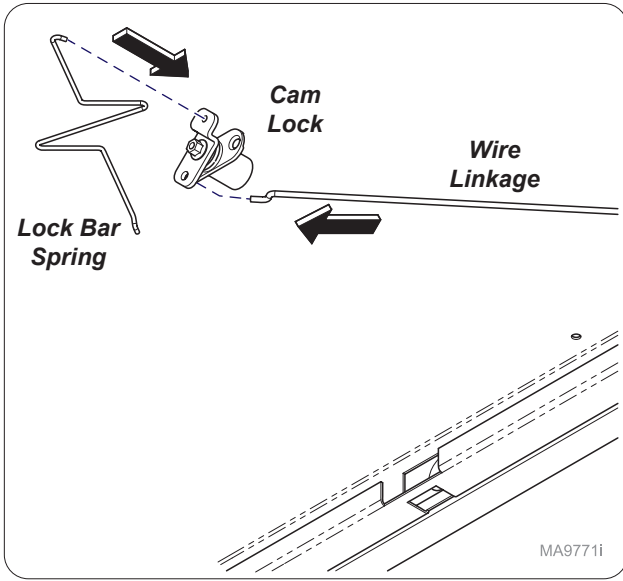
Install mullion onto cabinet with screws(3).



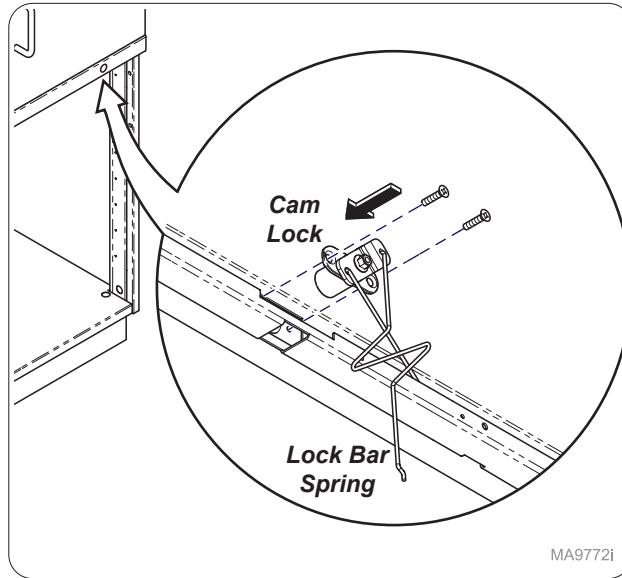
MA9770i

**Step 7:**

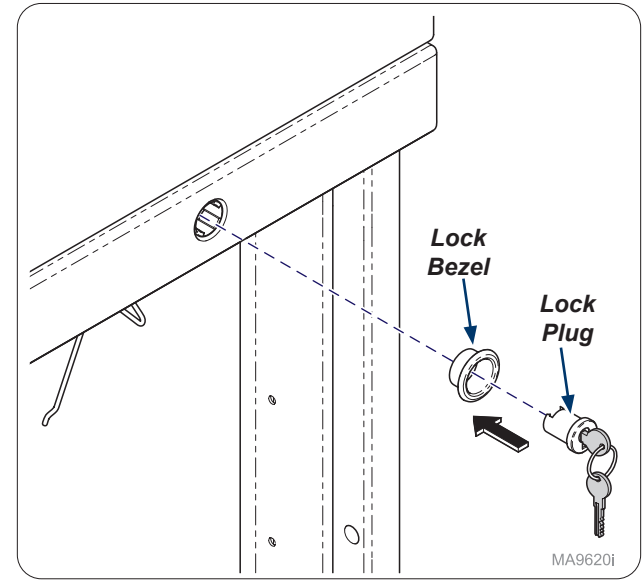
Install wire linkage into slide bracket.



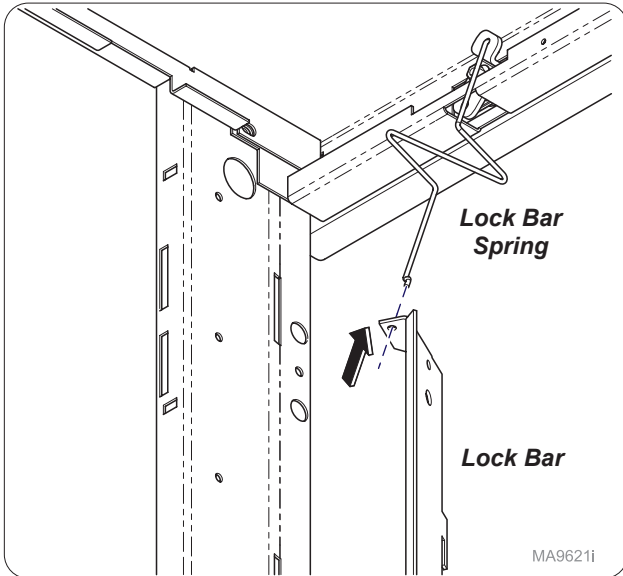
**Step 8:**  
Assemble cam lock onto wire linkage and lock bar spring onto cam lock.



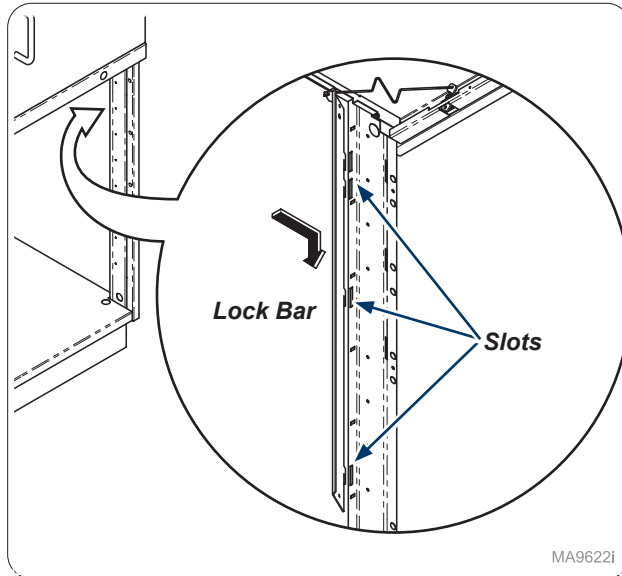
**Step 9:**  
Install cam lock into mullion from inside cabinet making sure lock bar spring is on top as shown.



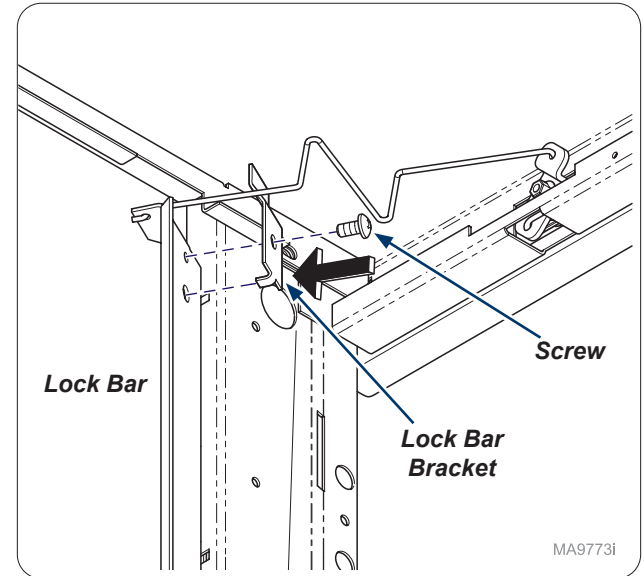
**Step 10:**  
On outside of cabinet install lock bezel and lock plug.  
**Note:** Cam should be in lock position as shown in next step.



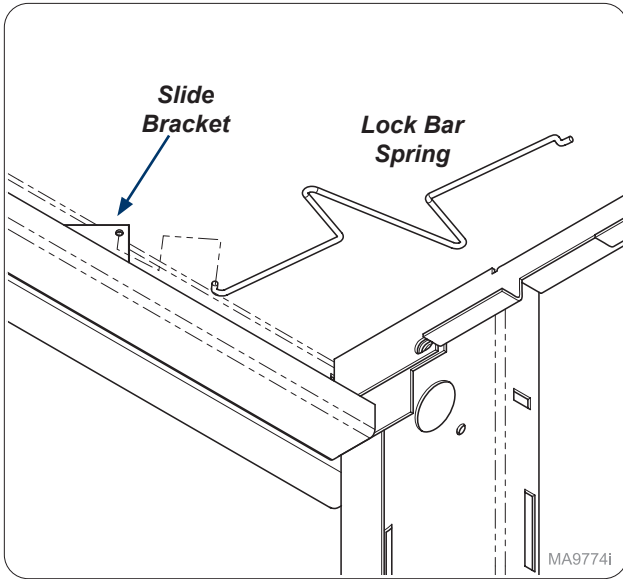
**Step 11:**  
Install lock bar onto lock bar spring.



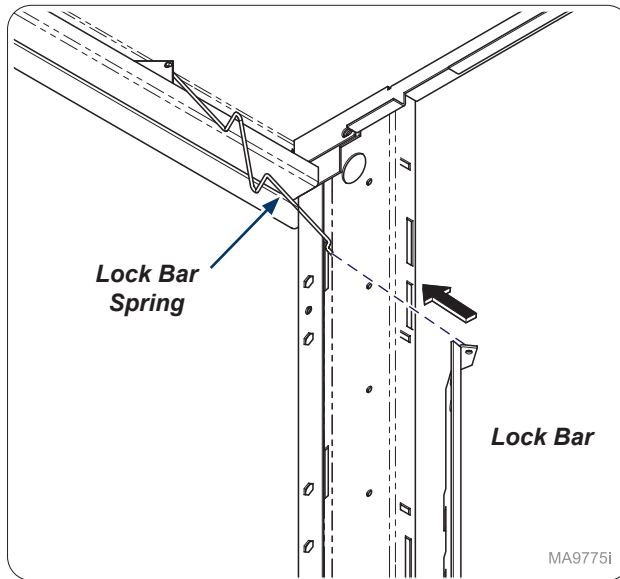
**Step 12:**  
Inside cabinet install lock bar into slots as shown.



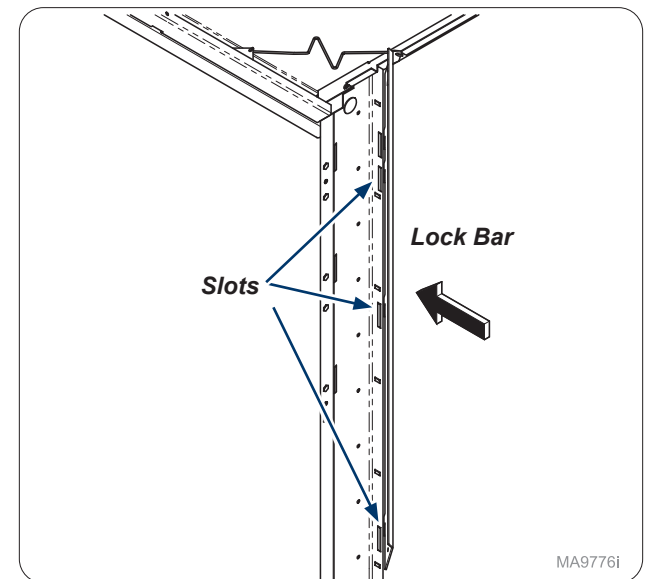
**Step 13:**  
Secure lock bar bracket onto lock bar with screw provided.



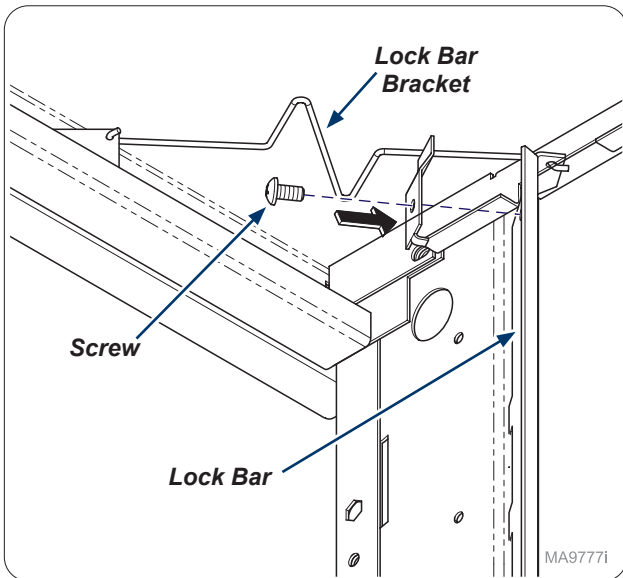
**Step 14:**  
Install lock bar spring onto slide bracket.



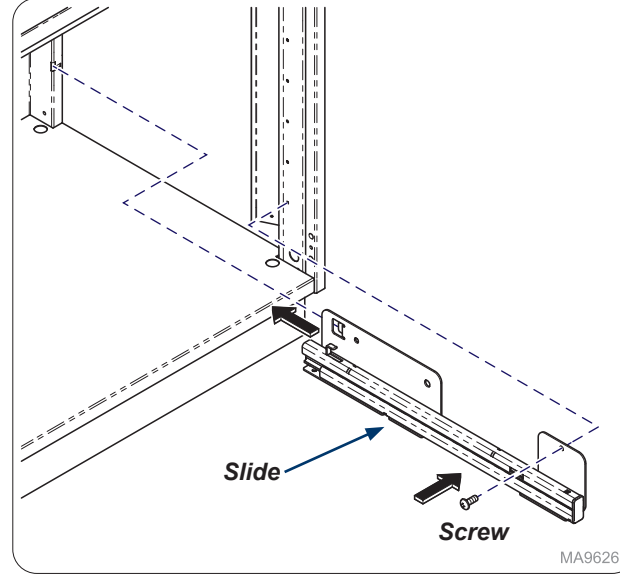
**Step 15:**  
Install lock bar onto lock bar spring.



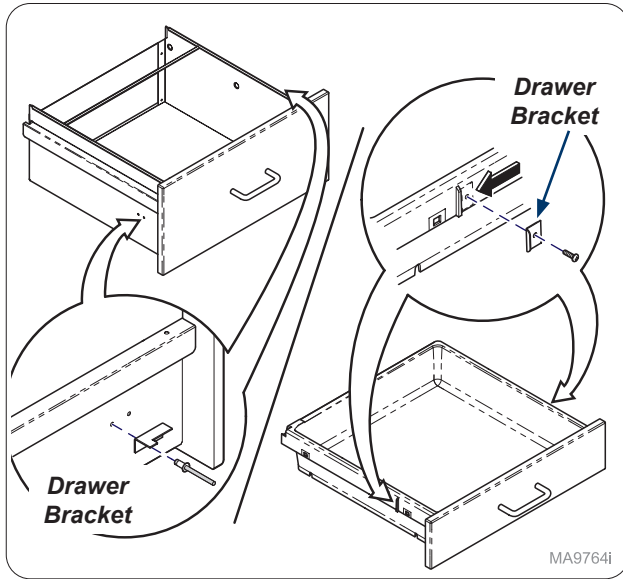
**Step 16:**  
Inside cabinet install lock bar into slots as shown.  
**Note:** Lock bars will vary but assembly process is the same.



**Step 17:**  
Secure lock bar bracket onto lock bar with screw provided.

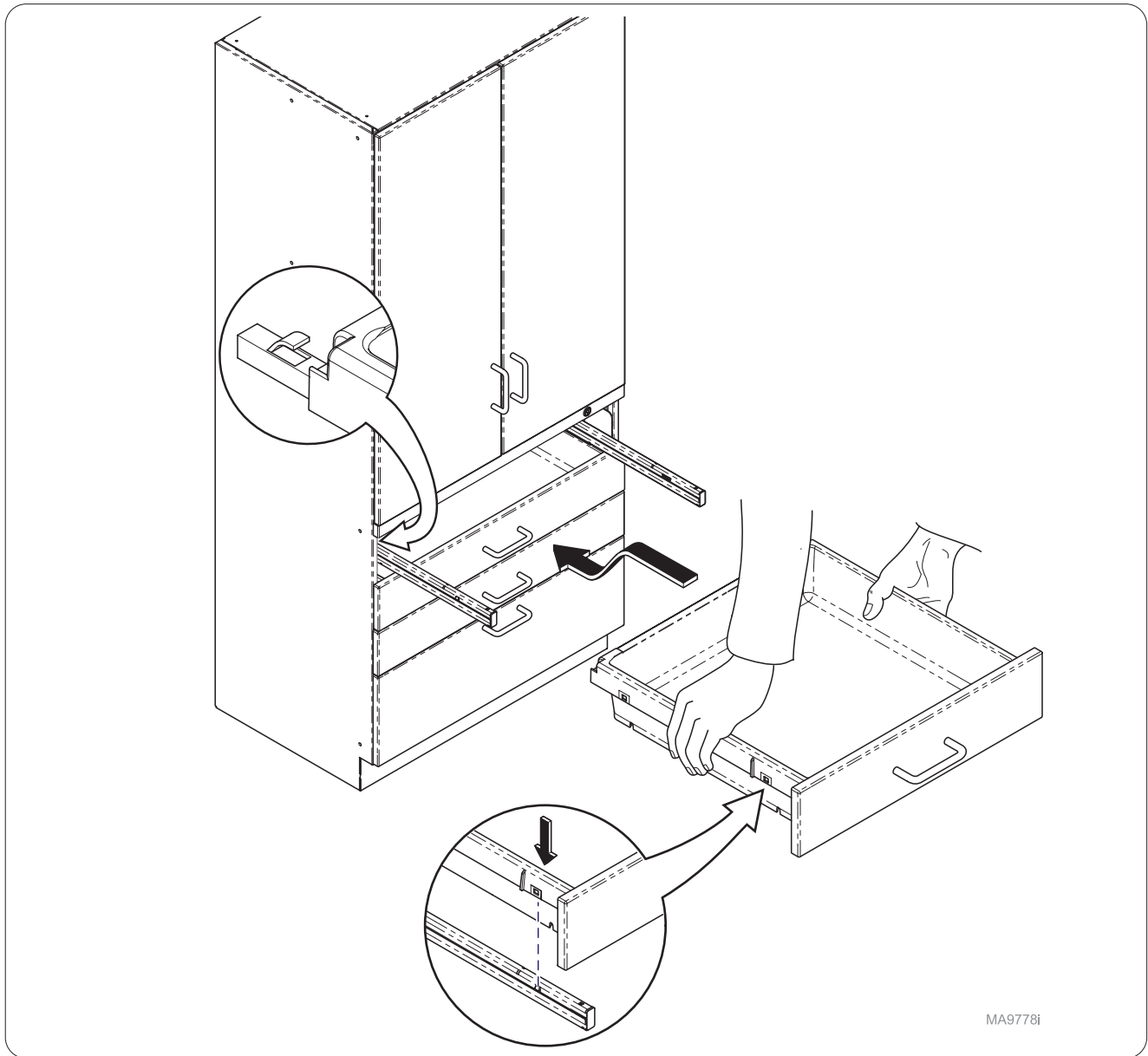


**Step 18:**  
Re-install slides with screws as needed.



MA9764i

**Step 19:**  
 Install drawer brackets as needed on drawer or filing drawers.  
**Note:** Numbers of bracket(s) and screw(s) will vary with number of drawers.



MA9778i

**Step 20:**  
 Re-install drawers and test lock.