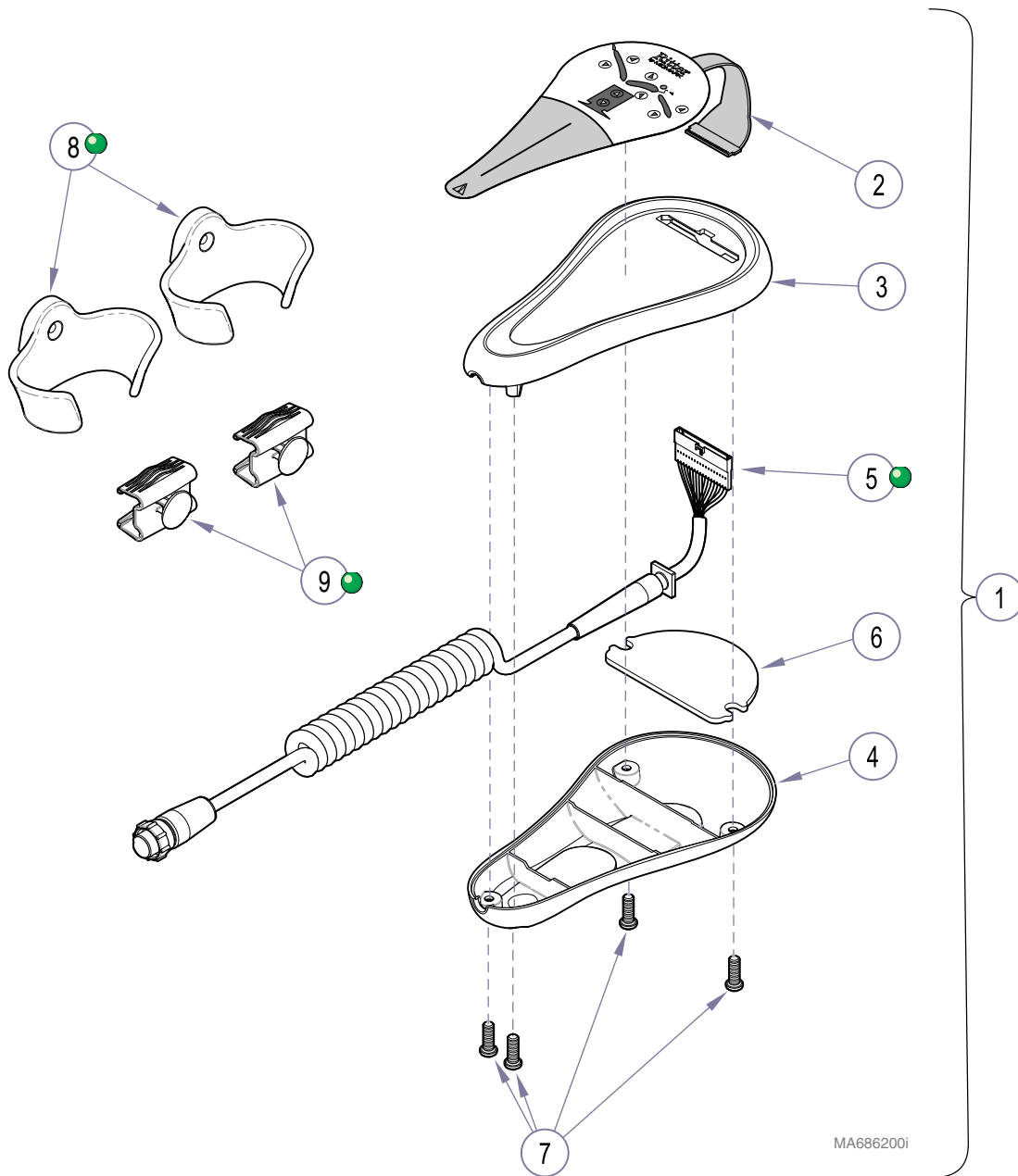


Hand Control (Ritter 4 Function)

Order 
 Medical and
 Animal Health
 Parts Online



MA686200i

Item	Part No.	Description	Qty.	Item	Part No.	Description	Qty.
1	9A348001	Hand Control Assy. (incl. items 2 thru 8)	1	6	•050-5868-00	•Hand Control Weight.....	1
2	•015-1866-00	•Touch Pad	1	7	•042-0168-00	•Screw (3.5 x 10)	4
3	•053-1381-00	•Top Housing	1	8	•002-1474-00	•Kit, Hand Control Holsters (Includes Item 9)	1
4	•053-1382-00	•Bottom Housing	1	9	•053-2268-00-312	•Siderail Hand Control Bracket	2
5	•015-1675-00	•Retractable Cord Assembly	1				

Always Specify Model & Serial Number