

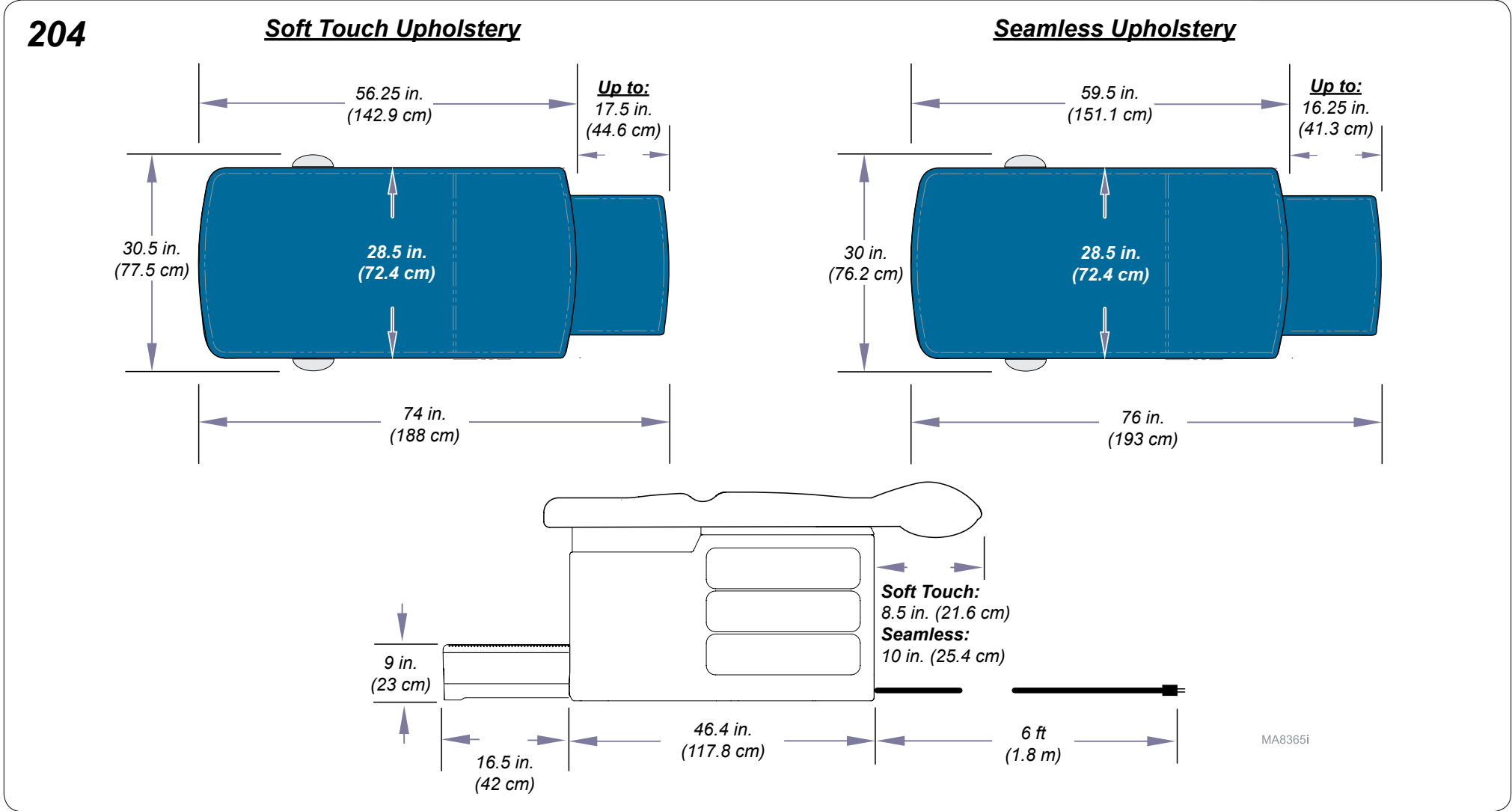


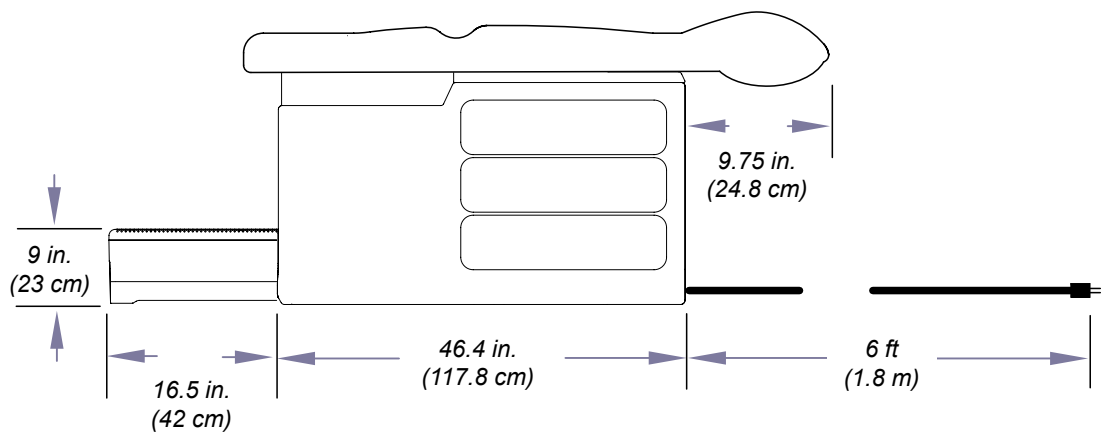
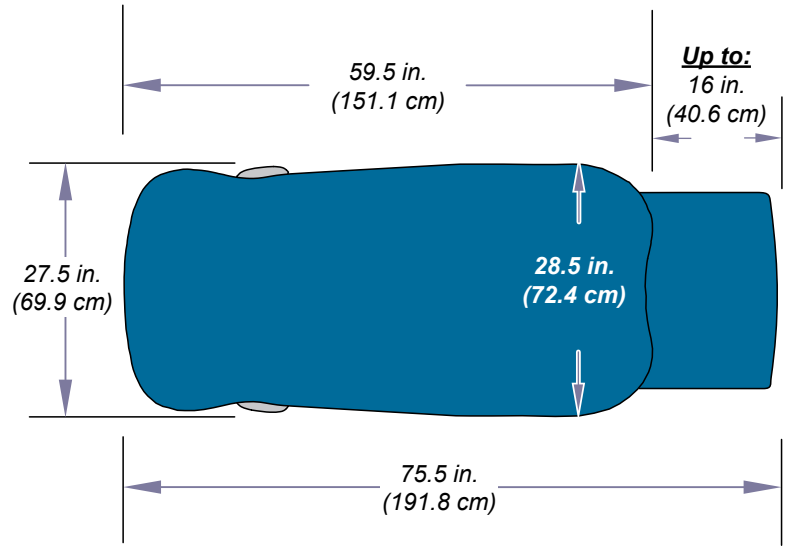
Upholstered Top / Base Dimensions

Model	Page
204	1
604	2
222 / 223	3
230	4
244	5
622 / 623	6
625	7
630	8
641	10
646 / 647	11

Note
 This document is intended to provide reference information when performing the following actions:

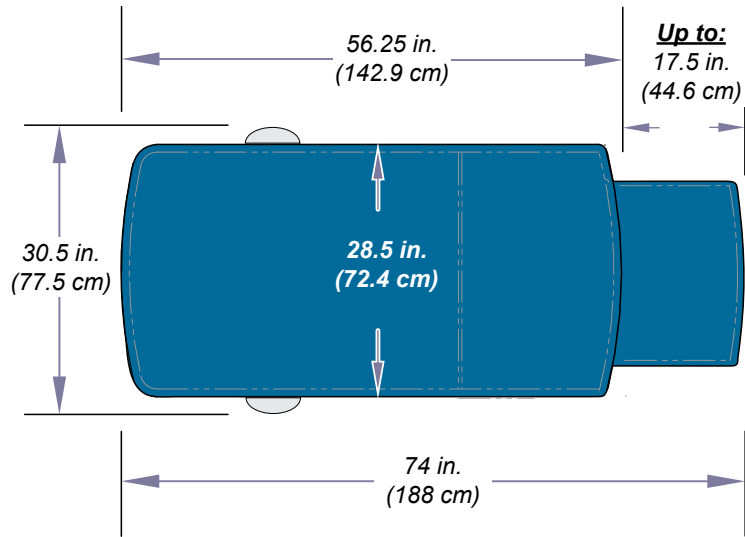
- determining proper table position in exam room
- locating / installing facility receptacles



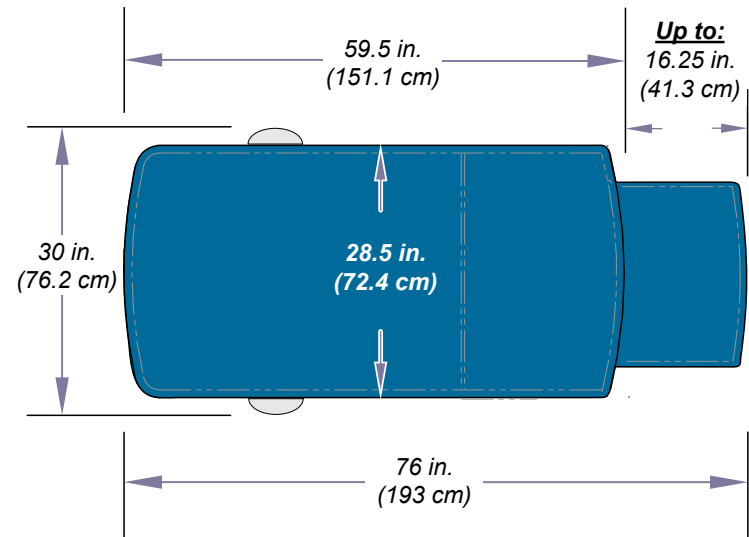


MA8366i

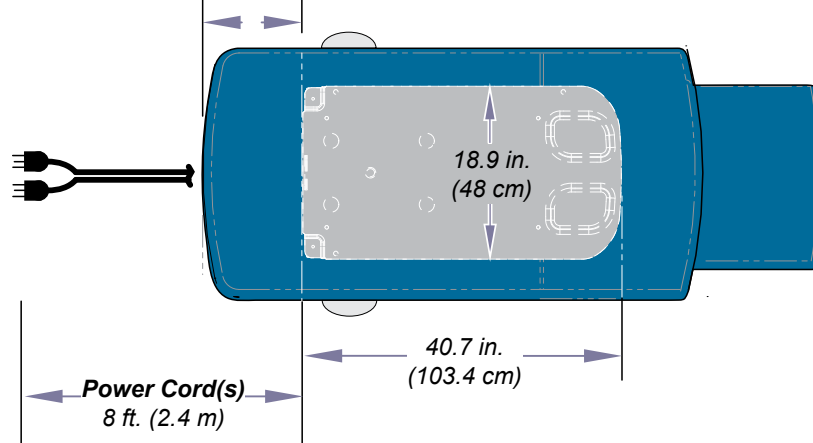
Soft Touch Upholstery



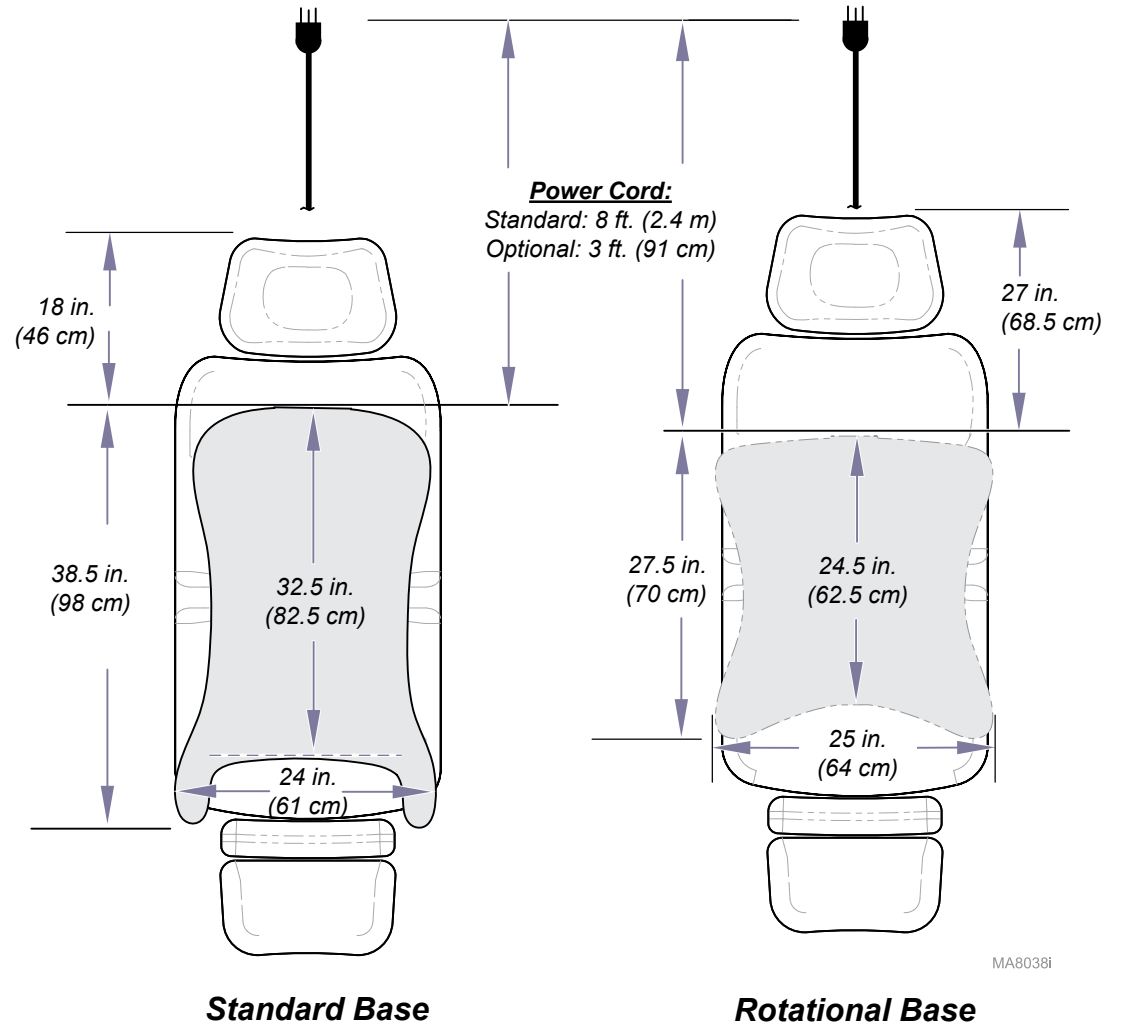
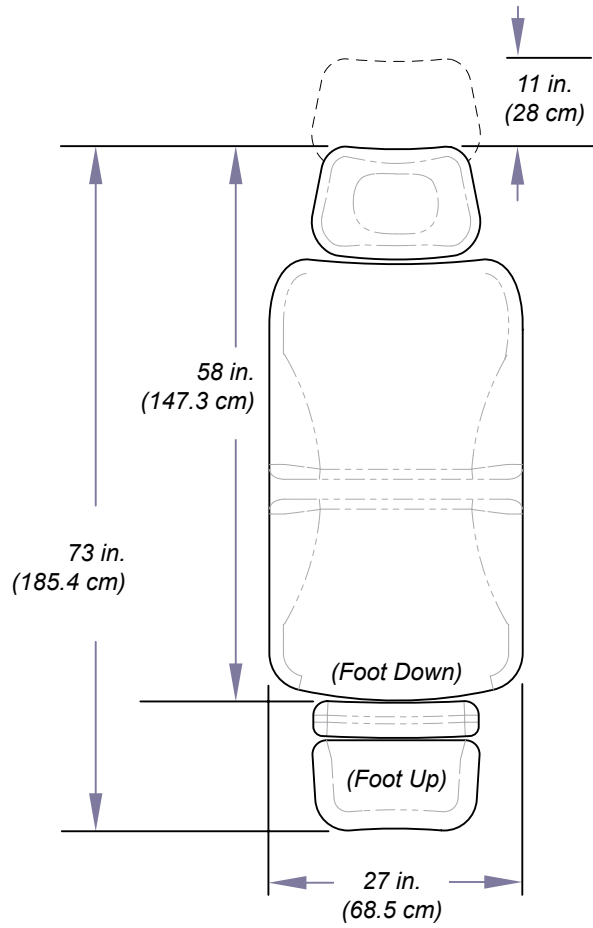
Seamless Upholstery



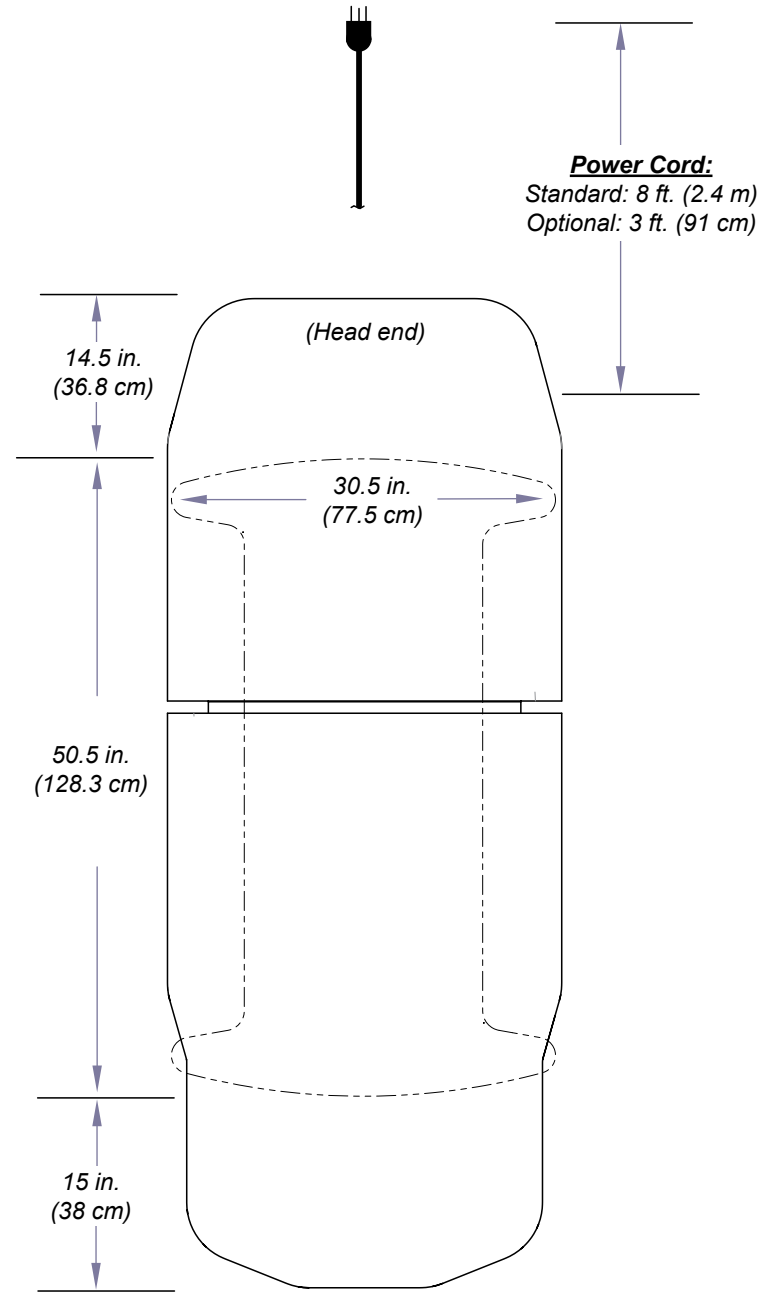
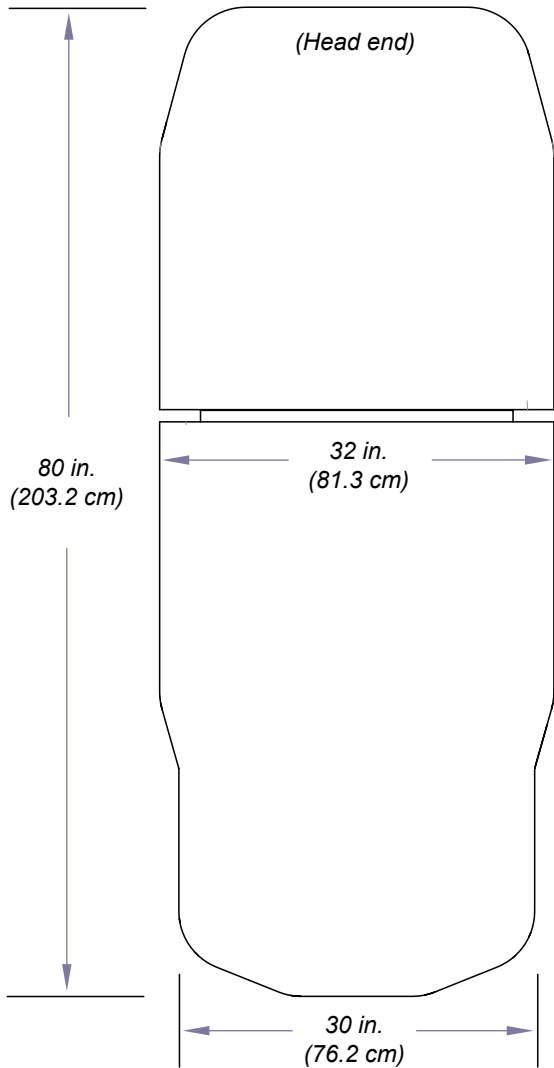
Soft Touch:
12 in. (30.5 cm)
Seamless:
13.5 in. (34.3 cm)



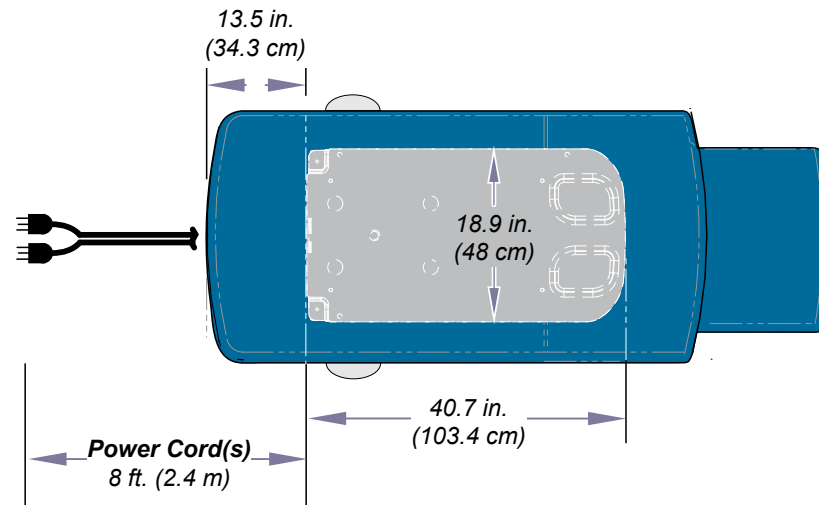
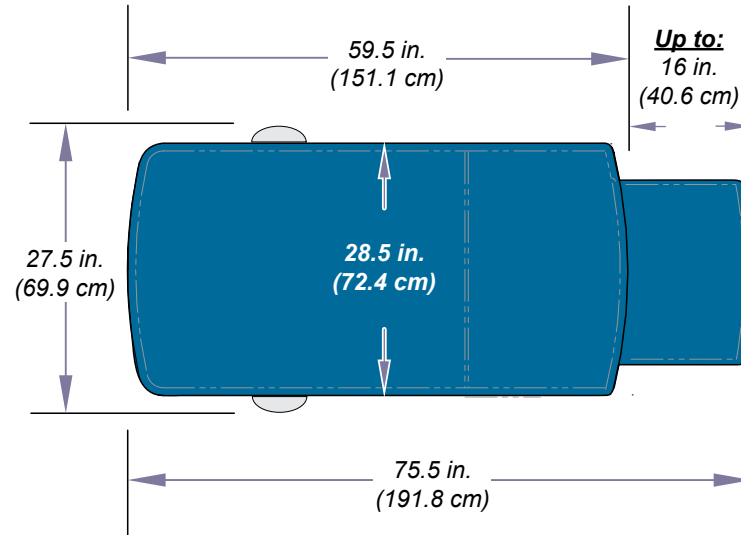
MA8367I



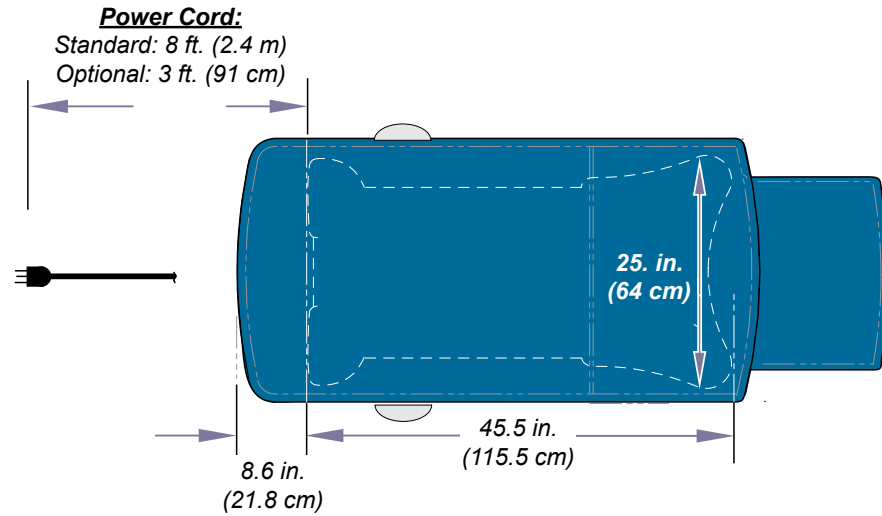
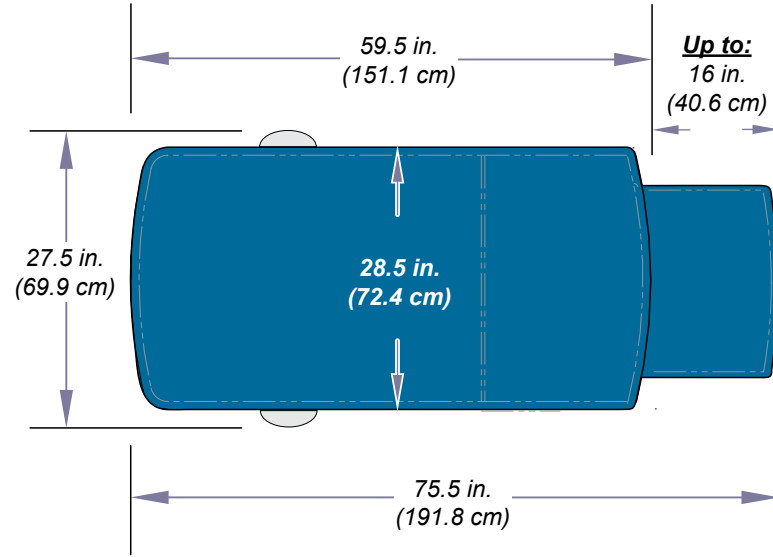
MA8038i



MA8179i

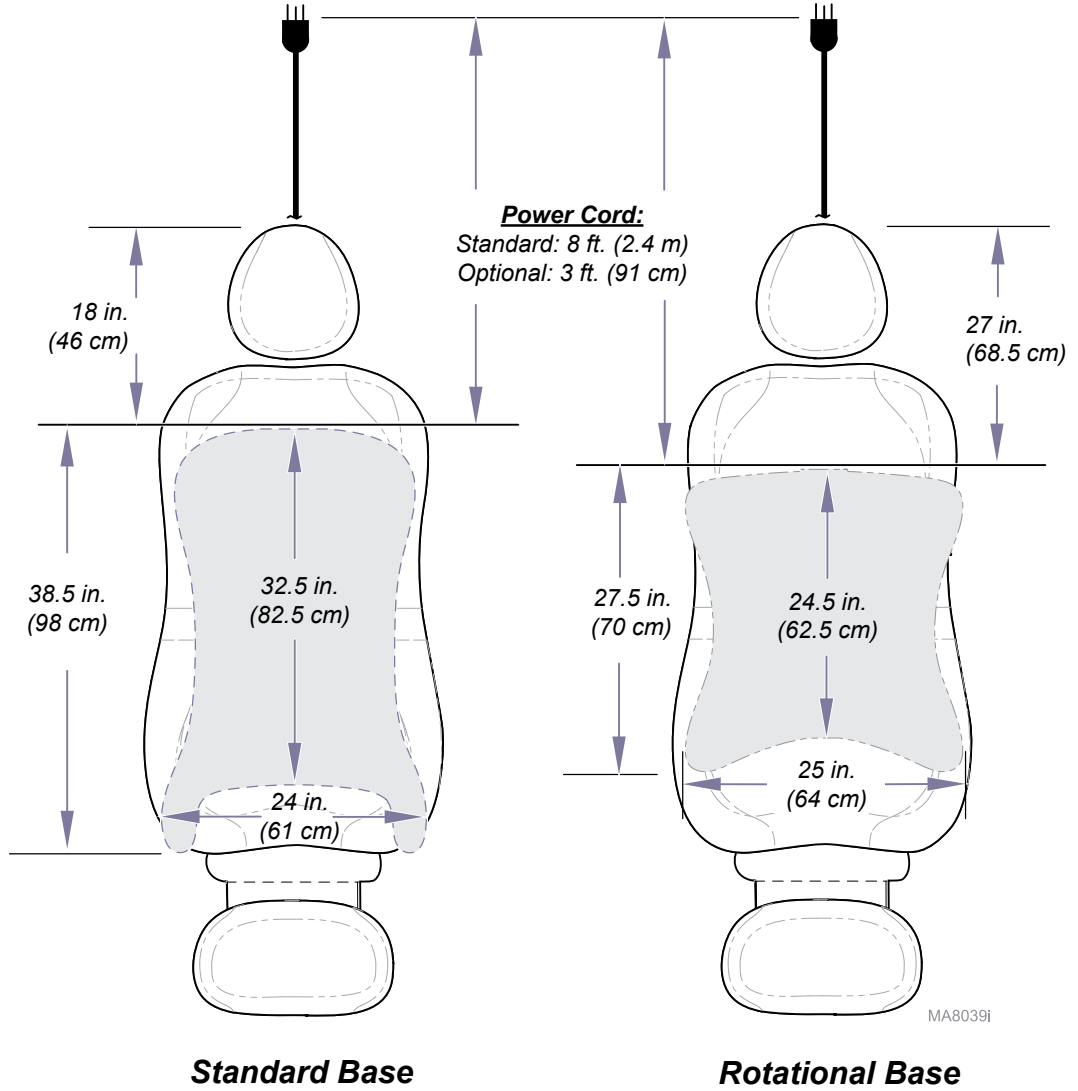
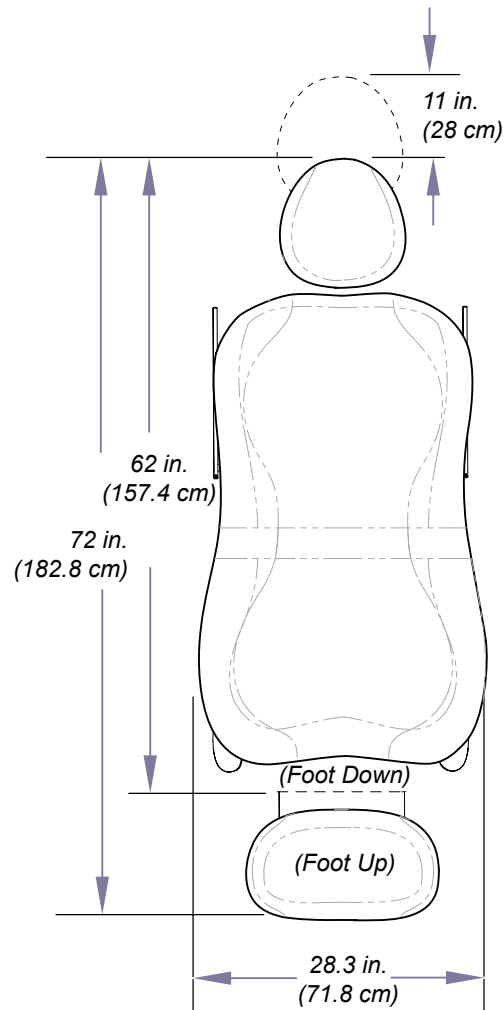


MA8368i

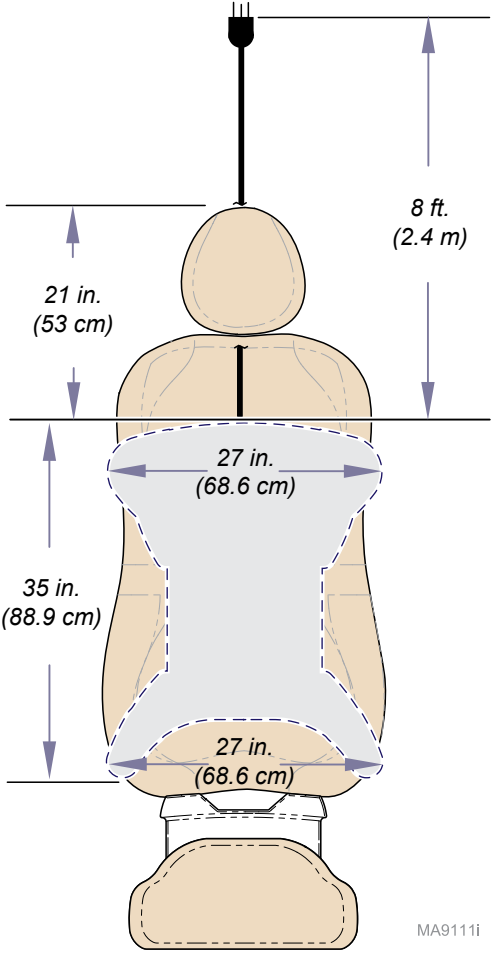
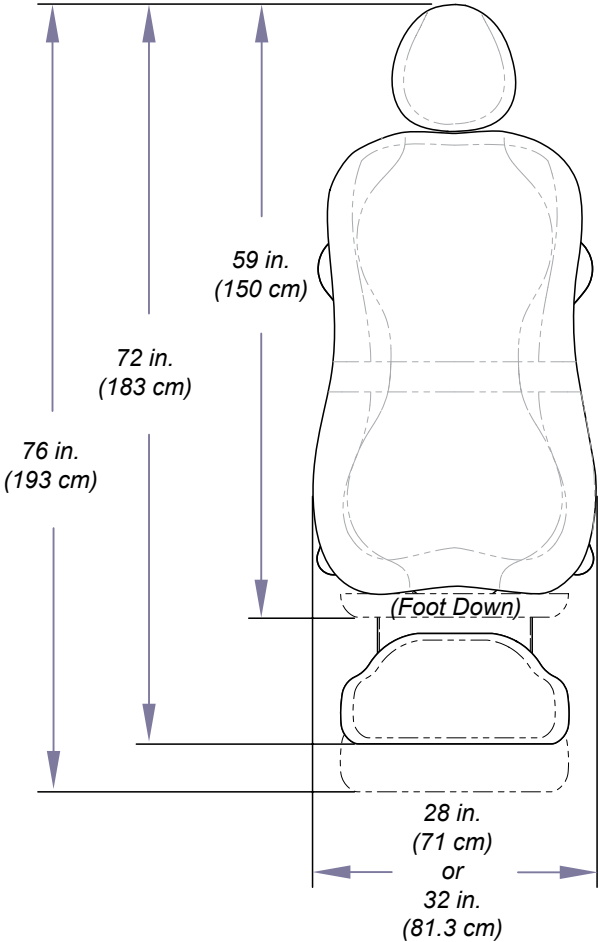


MA8369i

630 (-001 thru -009)



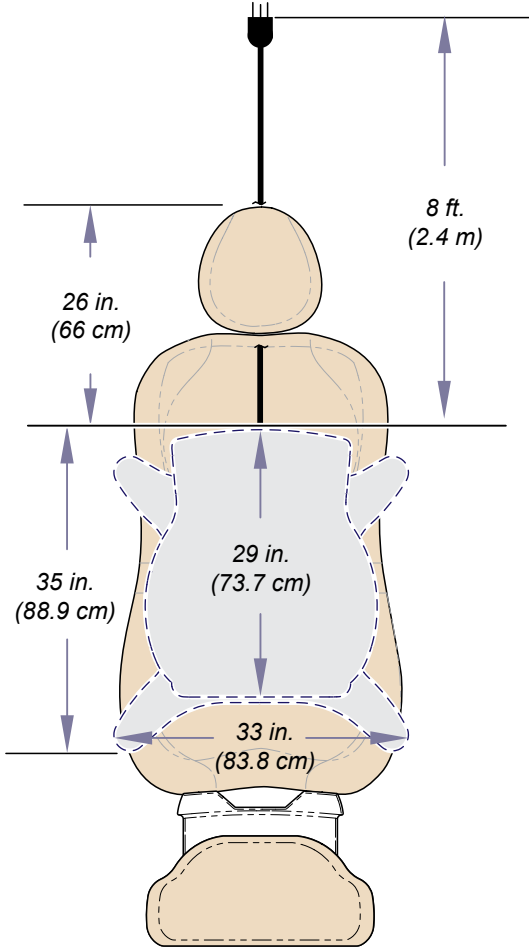
630 (-010 thru -013 / -020 thru -023)



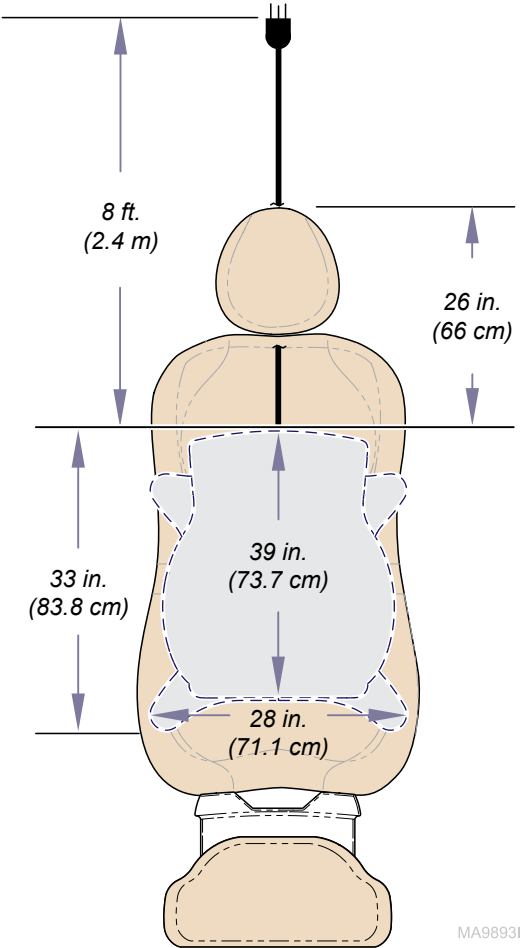
Standard Base

MA9111i

630 (-010 thru -013 / -020 thru -023) - continued

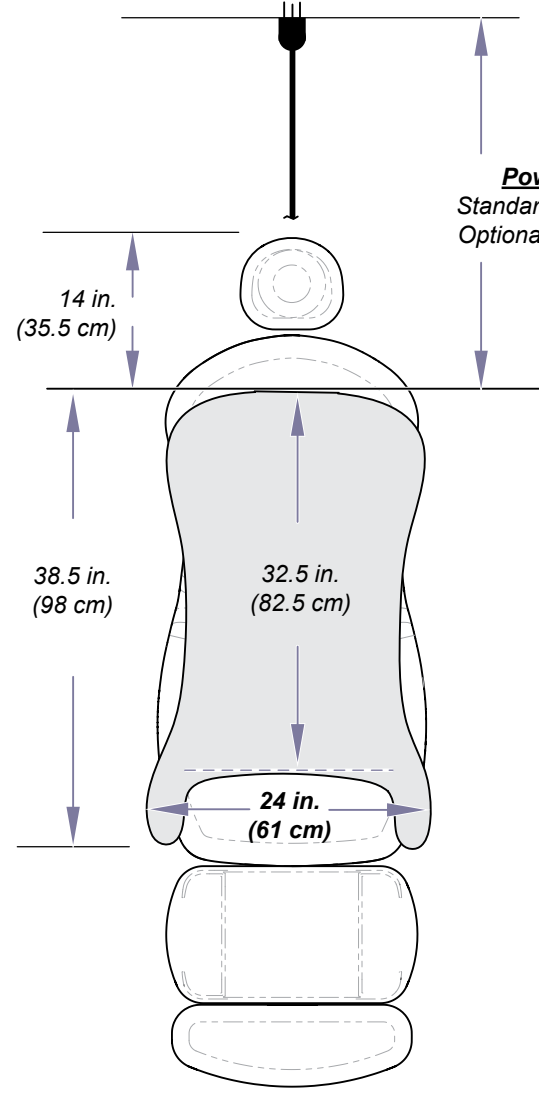
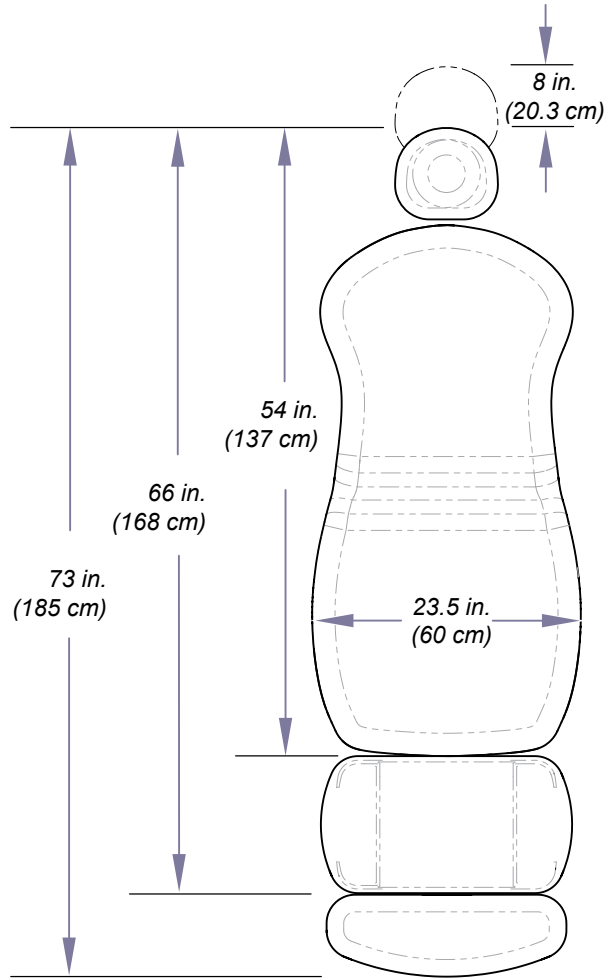


**Rotational Base
V2222 thru V1702160**

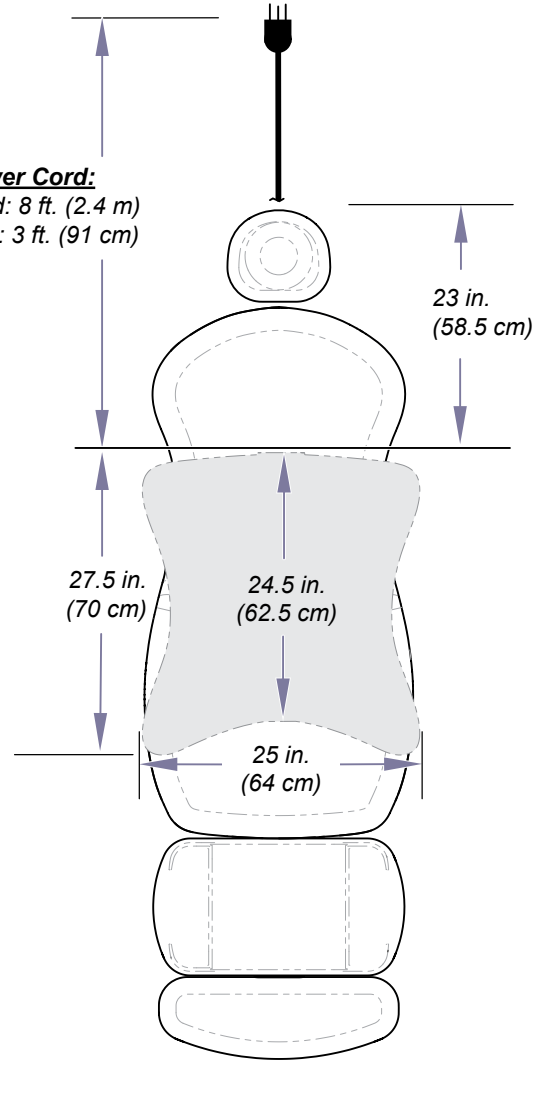


**Rotational Base
V1702161 thru Present**

MA98931

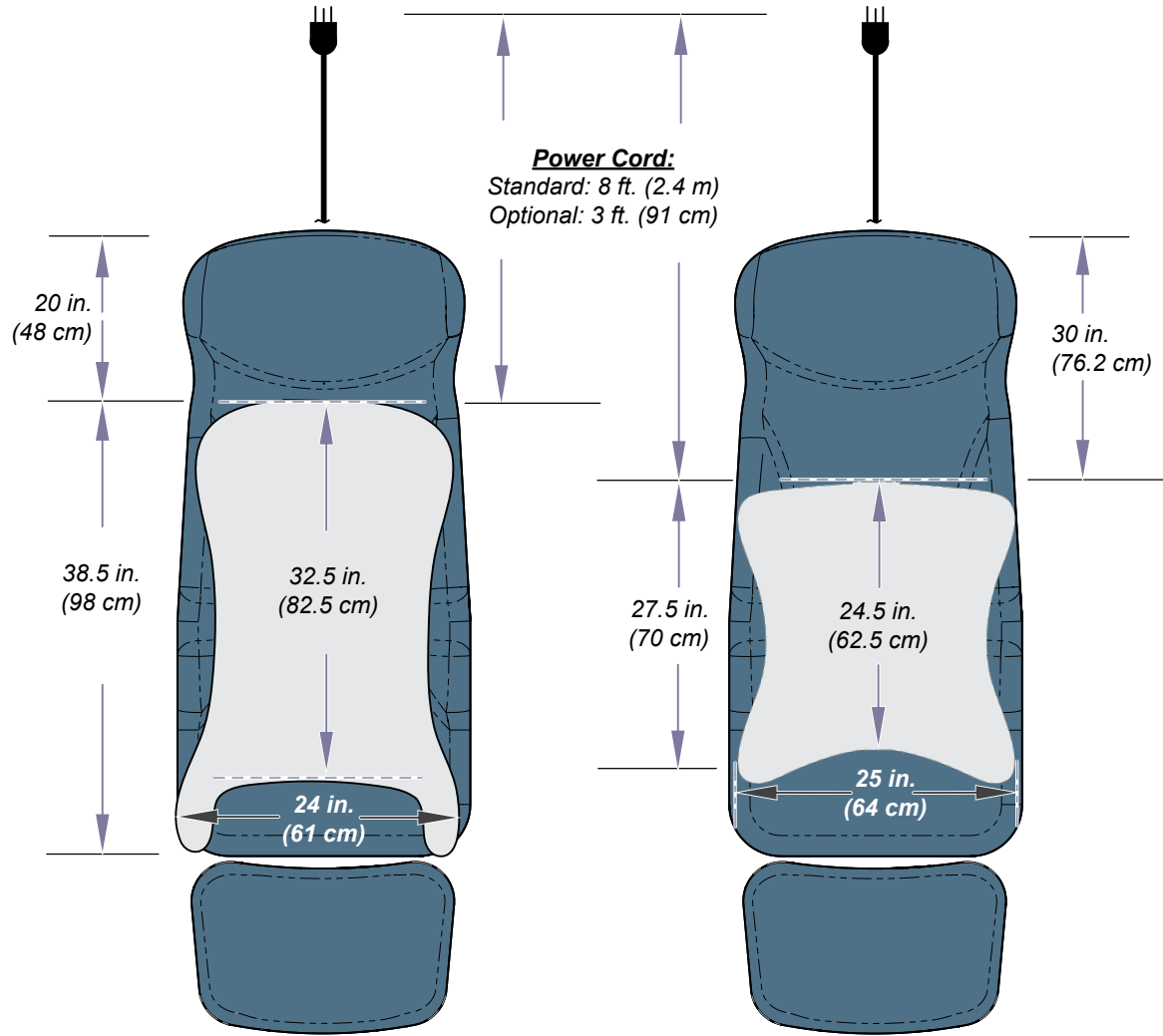
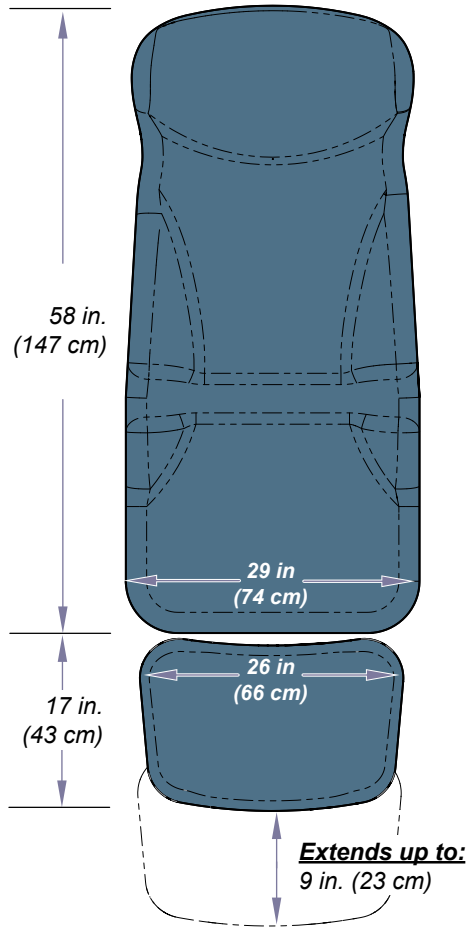


Standard Base



Rotational Base

Power Cord:
Standard: 8 ft. (2.4 m)
Optional: 3 ft. (91 cm)



Standard Base

Rotational Base

MA8041i