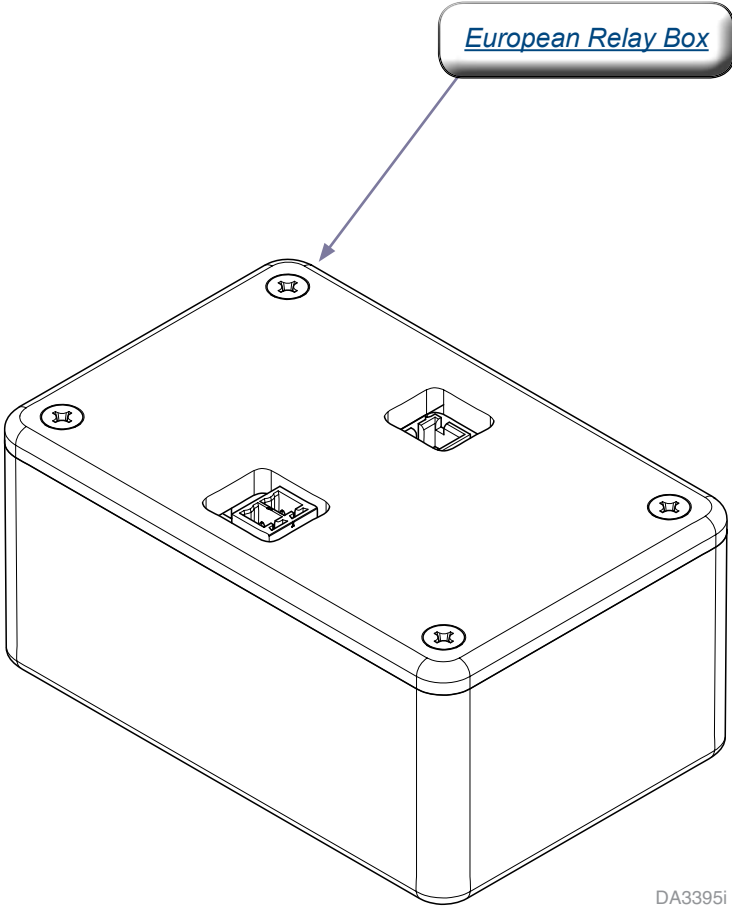
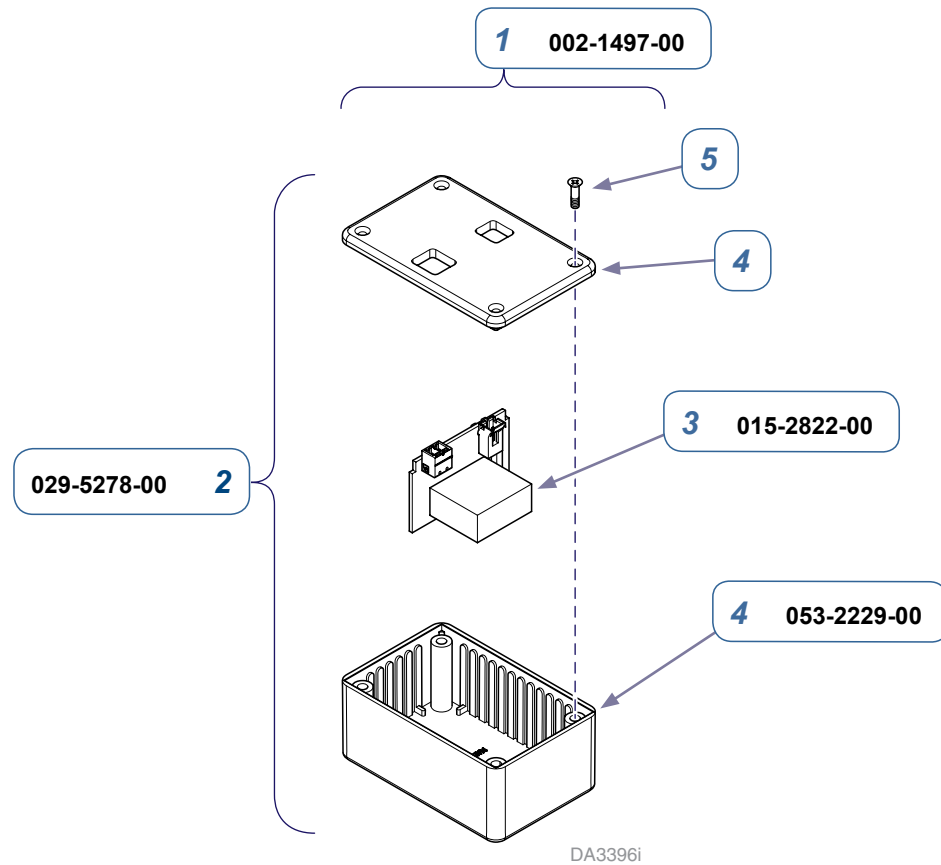


European Relay Box

Common Components..... 004-0859-99
Includes: Connectors, tubing, syringes,
 umbilicals, HVE / saliva ejectors





European Relay Box		
Item	Description	Qty.
1	Relay Board / Harness (includes Items 2 - 8)	1
2	• Relay Box Assembly (includes Items 3 - 6)	1
3	•• PC Board Assembly	1
4	•• Plastic Box	1
5	•• Screw (M3 x 5 x 10 mm; Phillips Head)	4
6	•• Foam Tape (apply to box bottom and lid - not shown)	AR
7	• Umbilical Harness (015-2942-00 - not shown)	1
8	• Terminal (015-3028-00 - not shown)	1

Page Applies To:	Mounted to Chair Model:	Serial Numbers:
European Assistant's Units	<i>Elevance</i>	<i>all</i>