



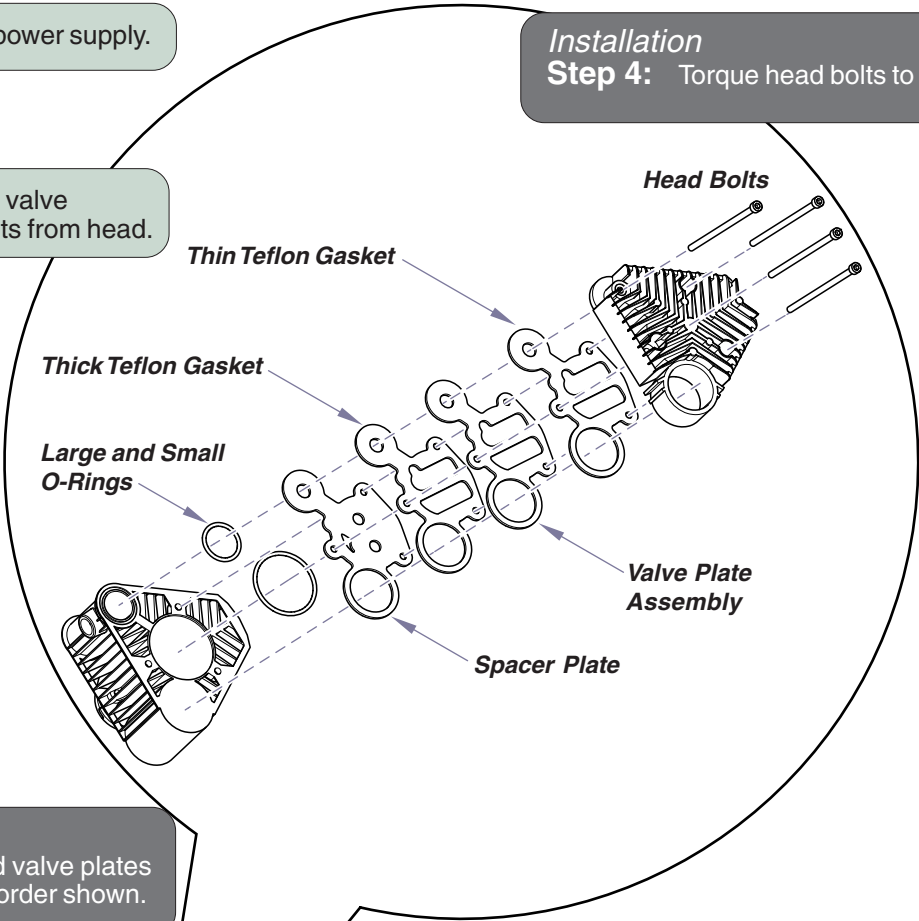
# Reed Valve Replacement

Matrix Models: OL-3, OI-3-115, OL-7, OI-10  
Midmark Models: P52 and P72  
[77001450]

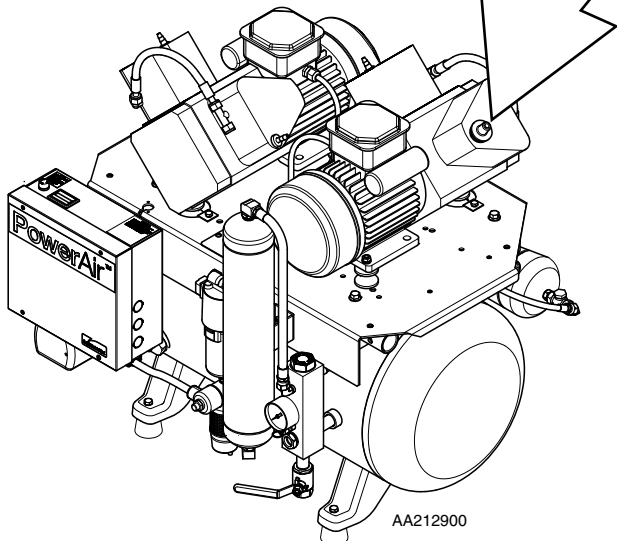
**Step 1:** Disconnect main power supply.

**Step 2:** Remove old reed valve plates and gaskets from head.

*Installation*  
**Step 4:** Torque head bolts to 53 in-lbs.



*Installation*  
**Step 3:** Install new reed valve plates and gaskets in order shown.



*Installation*  
**Step 5:** Connect main power supply.