

Desiccant Tank Replacement Kit (77001617)

Components:

- Tank..... 1
- MPT 90°..... 1
- Street Elbow..... 1

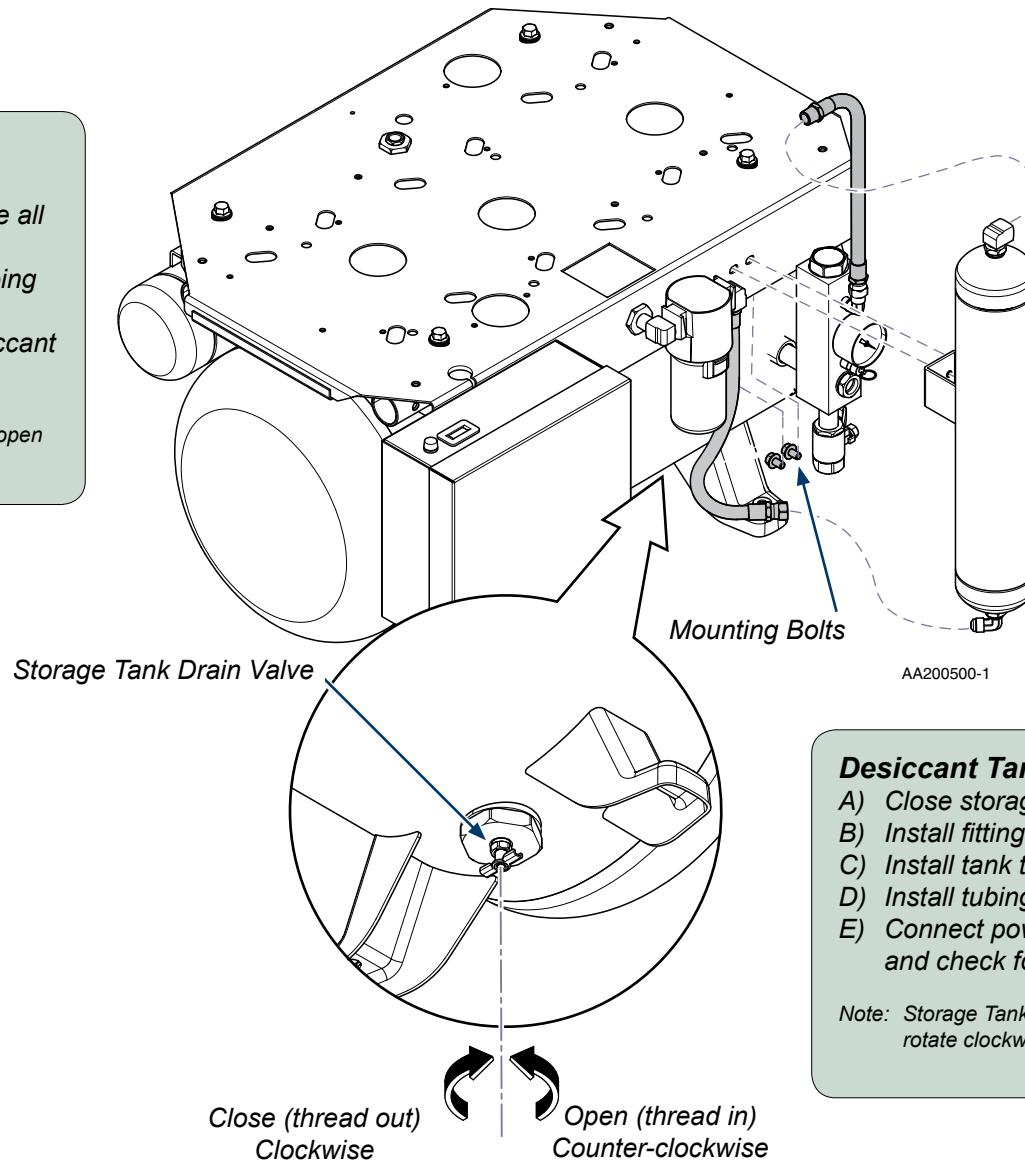
Special Tools:

none

Desiccant Tank Removal.

- A) Disconnect power to compressor.
- B) Open storage tank drain valve to release all air pressure, and then close valve.
- C) Loosen compression nuts. Separate tubing from desiccant tank.
- D) Remove mounting bolts to remove desiccant tank from saddle.

Note: Storage Tank Drain Valve is reverse thread. To open rotate counter-clockwise threading into fitting.



Desiccant Tank Installation.

- A) Close storage tank drain valve.
- B) Install fittings on desiccant tank.
- C) Install tank to saddle with mounting bolts.
- D) Install tubing to desiccant tank.
- E) Connect power to compressor. Run cycle and check for leaks.

Note: Storage Tank Drain Valve is reverse thread. To close rotate clockwise threading out of fitting until tight.