

Water Filter / Bypass System Installation

3/4" - 77002146, 1" - 77002147
1 1/2" - 77002149

- Components:**
- Bypass Assy..... 1
 - Filter Cartridge..... 1
 - O-ring 1
 - Filter Bowl..... 1
 - Bowl Wrench..... 1
 - Bracket Kit 1

Requirements / Restrictions:

Install Water Filter / Bypass System according to local electrical and plumbing codes.
 Installer provides union connecting fittings.
 Change Filter Cartridge every 6 months.
 Protect from freezing. Don't use torch near plastic housing.
 Do NOT Install: • On hot water lines.
 • On line pressures above 100 PSI.
 • Near direct sunlight or heat producing equipment.

Intended Use:

To provide safe water supply shut-off from dental operatory.

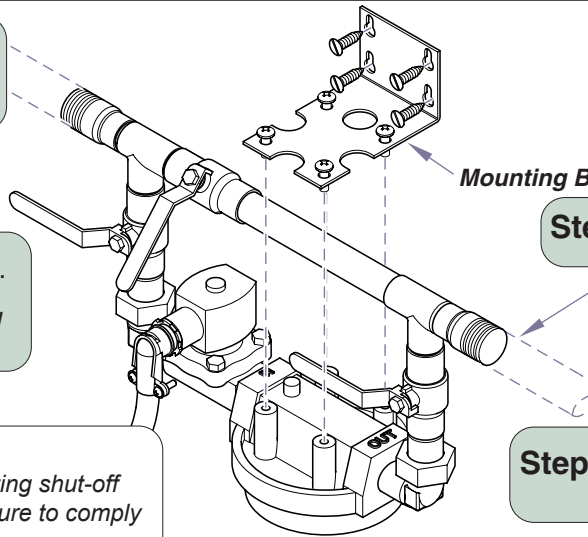
Step 1: Locate a convenient water and electrical supply line run for Filter/Bypass installation. Close-off main water supply.

Step 3: Install Filter/Bypass to bracket and water line.
Note: Direction of water flow through solenoid must be maintained during installation.



Caution

Solenoid may be hot. Use care when adjusting shut-off valves and/or performing maintenance. Failure to comply may result in personal injury due to burns.



Mounting Bracket Kit

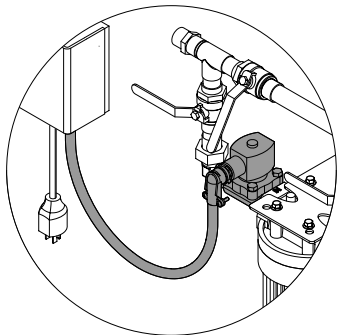
Step 2: Install mounting bracket to wall.

Installer Supplies Union Fitting to Water Line

Step 4: Install and secure union connectors at both ends.

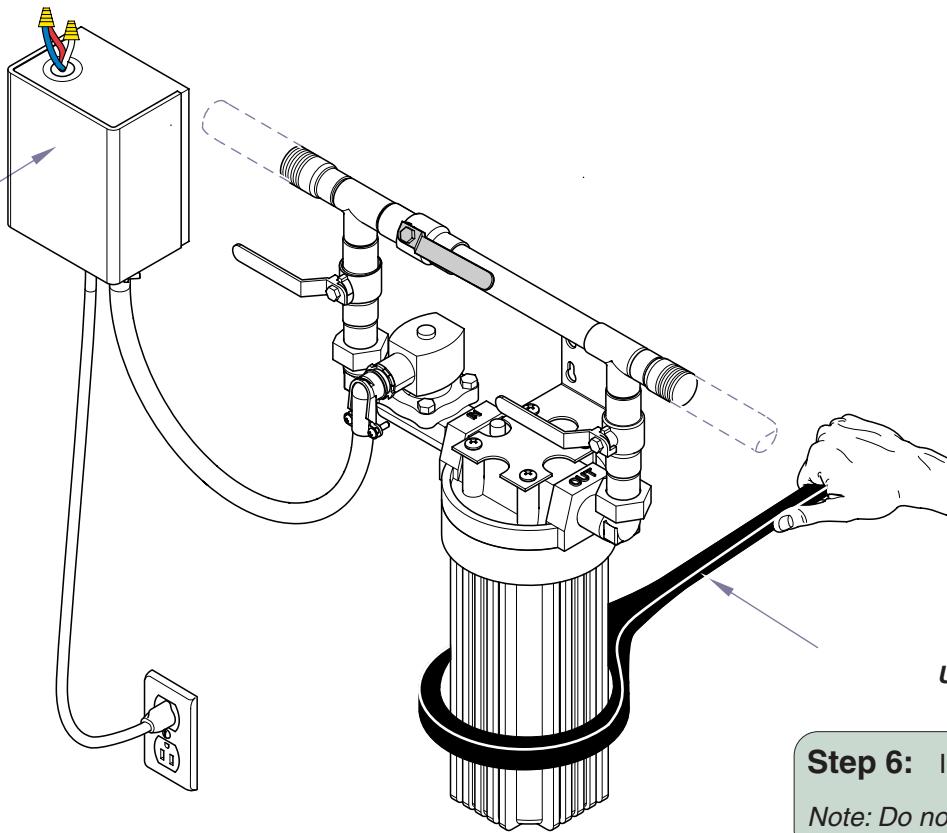
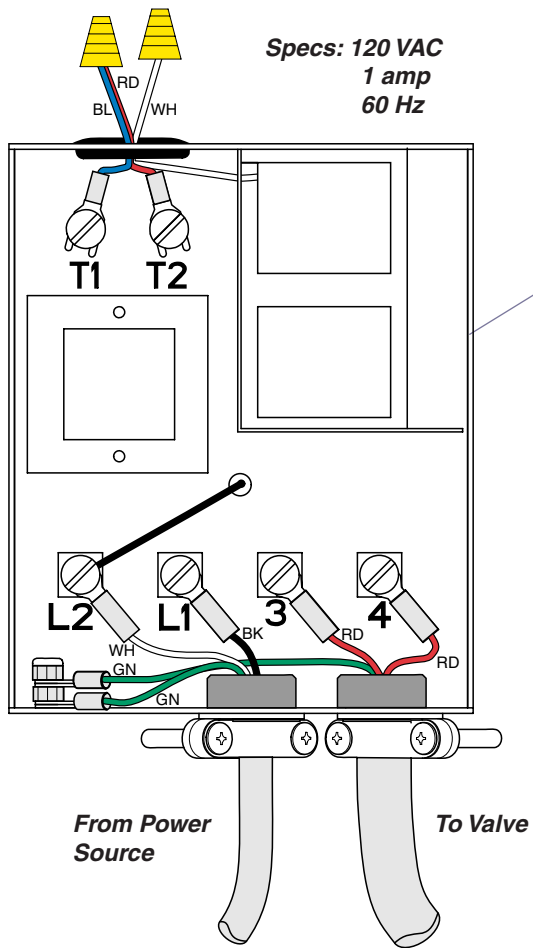
Filter Cartridge
O-Ring

Step 5: Install o-ring and filter cartridge into filter bowl.



Water Filter . Bypass Systems

Model	Pipe Size (MPT)	Max. GPM	Dimensions H x W x D
7002146	3/4"	6	19" x 15" x 5.5"
7002147	1"	30	23" x 21" x 7.5"
77002149	1 1/2"	40	25" x 23" x 7.5"



Step 6: Install bowl.
Note: Do not over tighten.

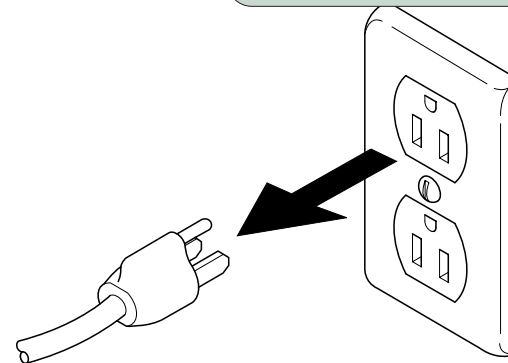
Step 7: Plug relay control box to 120 volt power source to energize electrical solenoid.

Note: Where state or local codes do not permit the use of a power supply cord, the product may be converted to fixed wiring as follows...

- A) Remove manufacture power cord.
- B) Connect green wire to bottom connection on ground stud.
- C) Connect common wires to L1 and L2.

Step 8: Open main water valve and check for leaks.

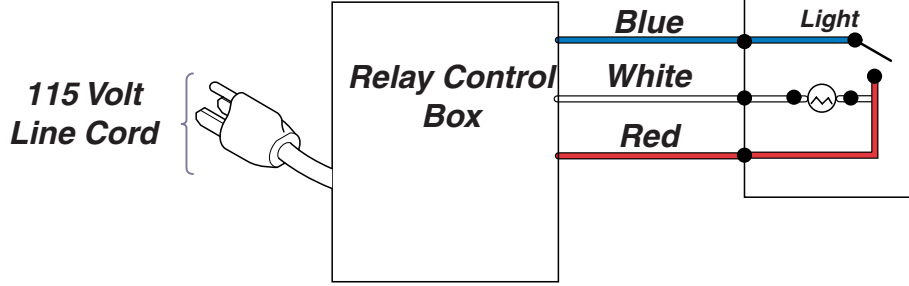
Step 9: Unplug relay control box from outlet.



Note

Control Panel provides a remote means of controlling dental equipment from inside the office area.

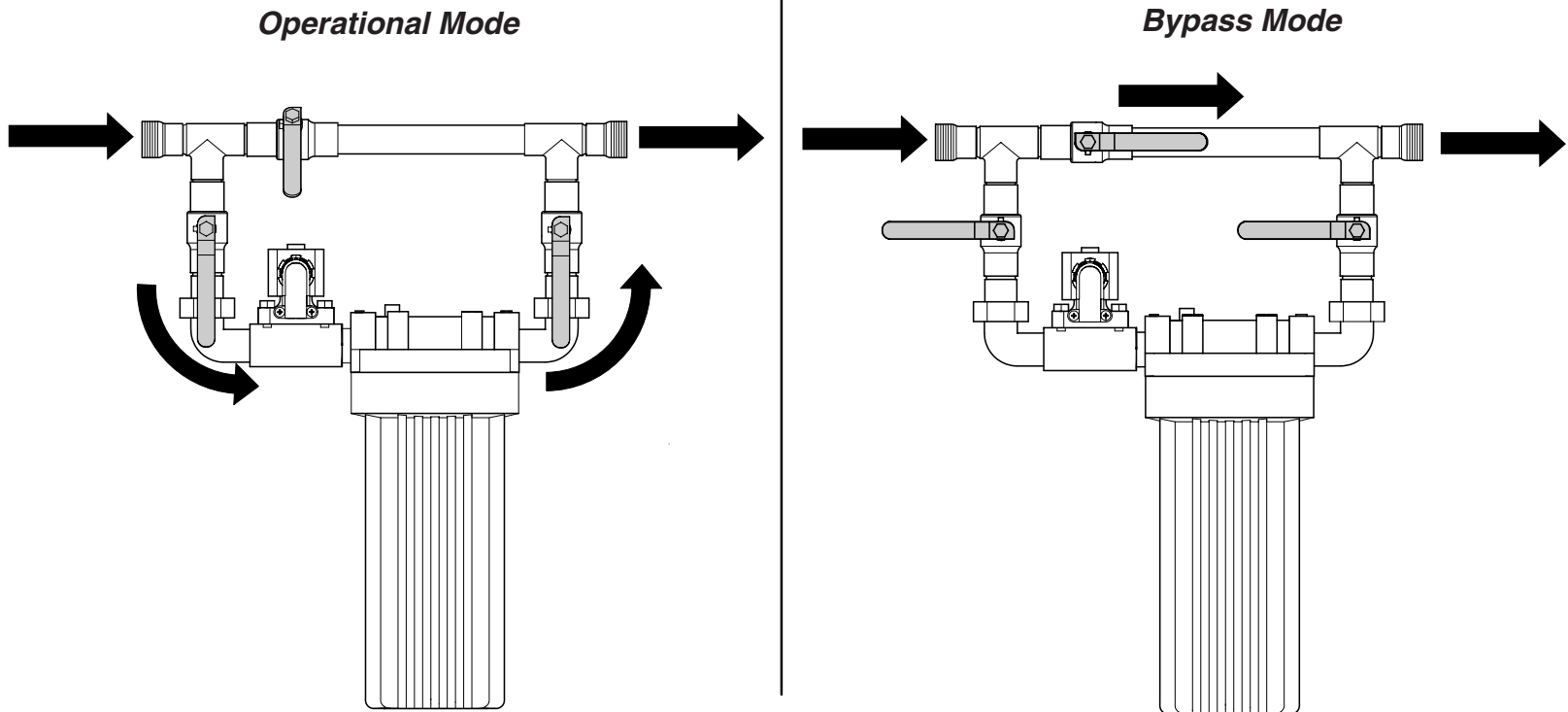
**OPTIONAL
Control Panel
Water Switch**



Brand	Wire		
	A	B (Light)	C
Midmark®	Blue	White	Red
Air Techniques	Yellow	Brown	Orange
DentalEz	Black	Brown	Yellow
Matrx®	Red	Blue	White
Apollo	Blue	White	Red

Step 10: Connect low voltage wires to control panel water switch.
Plug relay control box into 115 volt outlet.

Step 11: Set mode.



**LIMITED WARRANTY
SCOPE OF WARRANTY**

Midmark Corporation ("Midmark") warrants to the original purchaser its Air and Vacuum accessories (except for components not warranted under "Exclusions") manufactured by Midmark to be free from defects in material and workmanship under normal use and service. Midmark's obligation under this warranty is limited to the repair or replacement, at Midmark's option, of the parts or the accessories the defects of which are reported to Midmark within the applicable warranty period and which, upon examination by Midmark, prove to be defective.

APPLICABLE WARRANTY PERIOD

The applicable warranty period, measured from the date of installation for the original user, shall be:

- Midmark Air and Vacuum Accessories: 90 Days

EXCLUSIONS

This warranty does not cover and Midmark shall not be liable for the following: (1) repairs and replacements because of misuse, abuse, negligence, alteration, accident, freight damage, or tampering; (2) products which are not installed, used, and properly cleaned as required in the Midmark "Installation" manual and/or "Maintenance guide" for this applicable product; (3) products considered to be of a consumable nature; (4) accessories or parts not manufactured by Midmark; (5) charges by anyone for adjustments, repairs, replacement parts, installation, or other work performed upon or in connection with such products which is not expressly authorized in writing in advance by Midmark.

EXCLUSIVE REMEDY

Midmark's only obligation under this warranty is the repair or replacement of defective parts. Midmark shall not be liable for any direct, special, indirect, incidental, exemplary, or consequential damages or delay, including, but not limited to, damages for loss of profits or loss of use.

NO AUTHORIZATION

No person or firm is authorized to create for Midmark any other obligation or liability in connection with the products.

THIS WARRANTY IS MIDMARK'S ONLY WARRANTY AND IS IN LIEU OF ALL OTHER WARRANTIES, EXPRESS OR IMPLIED. MIDMARK MAKES NO IMPLIED WARRANTIES OF ANY KIND INCLUDING ANY WARRANTIES OF MERCHANTABILITY OR FITNESS FOR ANY PARTICULAR PURPOSE. THIS WARRANTY IS LIMITED TO THE REPAIR OR REPLACEMENT OF DEFECTIVE PARTS.