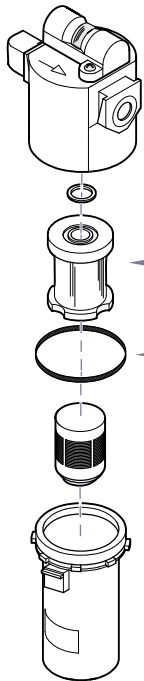




Oil-Less Compressor Maintenance Kit

Models P52, P72
[77001610, 77001611]

Components:
O-Ring, Spare O-Ring,
Element Filter
Intake Filters (2 per head)



O-ring and Filter
Step 1: Disconnect power to compressor.
Drain storage tank of all air and liquid.

O-ring and Filter
Step 2: Push down on release button, turn slightly and pull to remove filter bowl.

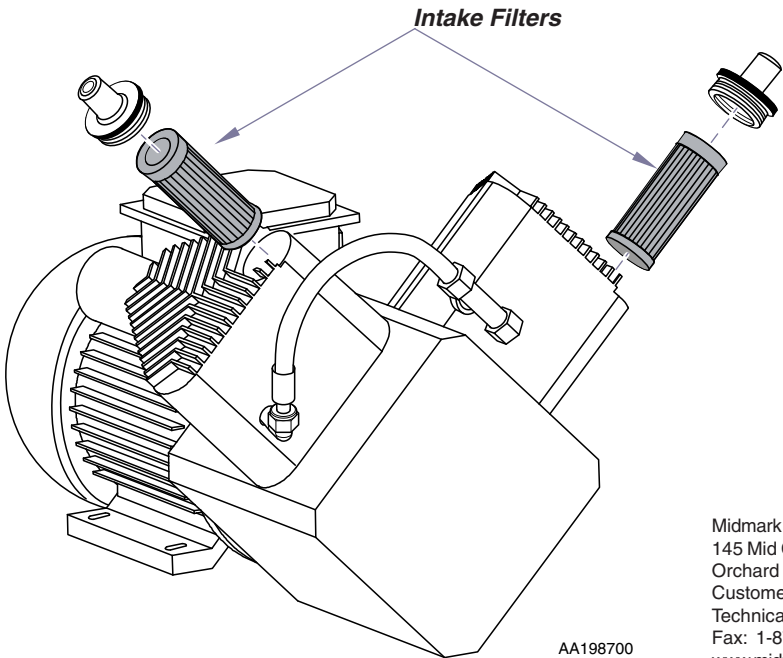
← **Element Filter**

← **O-Ring**

O-ring and Filter
Step 3: Replace filter and o-ring. Reinstall bowl and lock into place.

Intake Filter
Step 4: Replace both filters on each head...

- Firmly grab black boot, twist, rock and pull outward.
- Remove filter from boot.
- Insert new filter fully into rubber filter boot.
- Press into compressor head.
- Firmly press around boot flange to secure in place.



AA198700

Midmark Corporation
145 Mid County Drive
Orchard Park, New York 14127
Customer Service Phone: 1-800-643-6275
Technical Service Phone: 1-888-279-1260
Fax: 1-877-725-6495
www.midmark.com