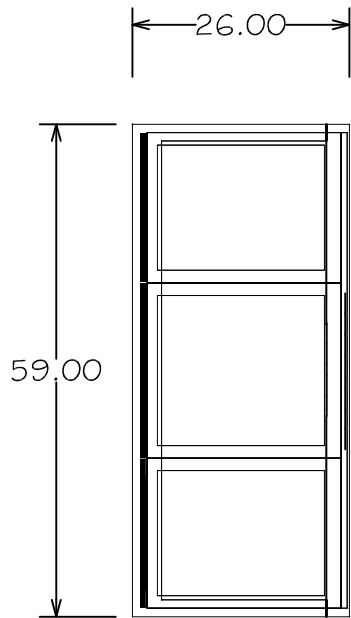
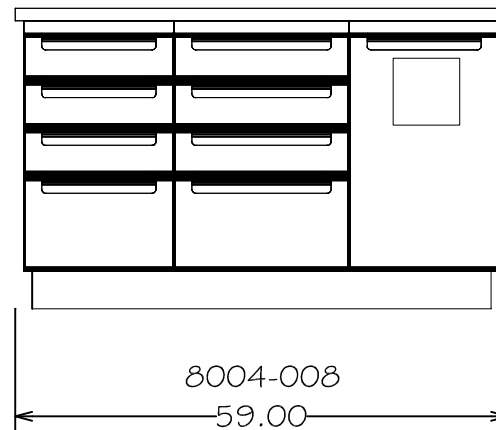


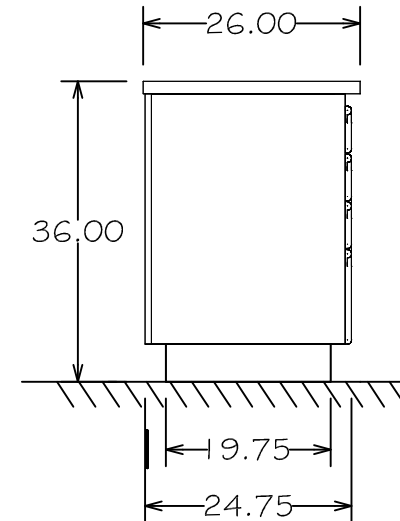
OVERHEAD
VIEW



ELEVATION
VIEW



SIDE
VIEW



59" ISLAND WITH STAINLESS STEEL COUNTERTOP
 ZONE 1: 3-4 DRAWERS; 1-8" DRAWER
 ZONE 2: 3-4 DRAWERS; 1-8" DRAWER
 ZONE 3: RH DOOR W/ WASTE CHUTE

Drawing Number: 8004-008-XX

Project Name:

Scale:

Designer: Nathan Suchland

Date:

The drawings/information included herein is Confidential and Property of Midmark Corporation. Any use of these Documents without Written Consent from Midmark Corporation is Strictly Prohibited.

SIGNED DRAWING IS REQUIRED TO PROCESS ORDER

CUSTOMER APPROVAL

DATE

Standard Countertop Overhang for cabinets: 1/2"
 Standard Countertop Overhang for desks: 1/4"

Terms N.I.C. (Not In Contract):

1. Reagent walls, chases
2. Installation and/or de-Installation
3. Plumbing hook-up
4. Countertop Cutouts
5. Electrical wiring or hook-up
6. Taxes
7. Project Management
8. Special shipping arrangements
9. Trash Removal

