



EASE
EQUIPMENT ANCHORAGE & SEISMIC ENGINEERING
 2801 Connery Way, Suite B
 Missoula, MT 59808
 Phn: (406) 541-EASE (3273) Fax: (406) 541-3274

Office of Statewide Health Planning and Development
ANCHORAGE PRE-APPROVAL

OPA-2204-07

Equipment Manufacturer: MIDMARK CORPORATION

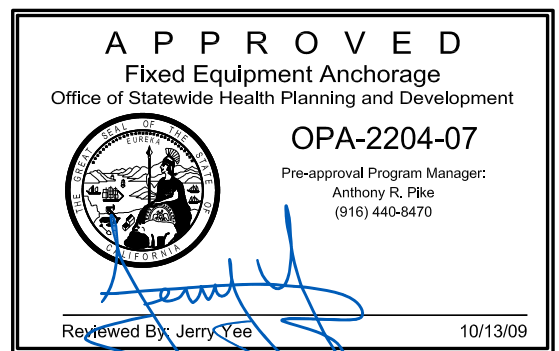
Equipment Type: Base Cabinets

GENERAL NOTES

1. FORCES PER ASCE 7-05 SECTION 13.3.1, EQUATIONS 13.3-1, 13.3-2 & 13.3-3, WHERE $S_{ds} = 1.93$, $a_p = 1.0$, $I_p = 1.5$ & $R_p = 2.5$
2. THIS PRE-APPROVAL CONFORMS TO THE 2007 CALIFORNIA BUILDING CODE.
3. THE DETAILS IN THIS PRE-APPROVAL MAY BE USED AT ANY LOCATION IN THE STATE OF CALIFORNIA.
4. ALL ANCHOR FORCES SHOWN ON THE DRAWINGS ARE WORKING LOADS (AS OPPOSED TO STRENGTH LEVEL LOADS) AND MAY BE USED FOR ALLOWABLE STRESS DESIGN.
5. SHEET METAL SCREWS SHALL BE TEKS SCREWS BY ITW BUILDEX (ICC ESR-1976).
6. PER CAN 2-1708A.5, THIS UNIT DOES NOT REQUIRE "SPECIAL SEISMIC CERTIFICATION".

RESPONSIBILITIES OF THE STRUCTURAL ENGINEER OF RECORD

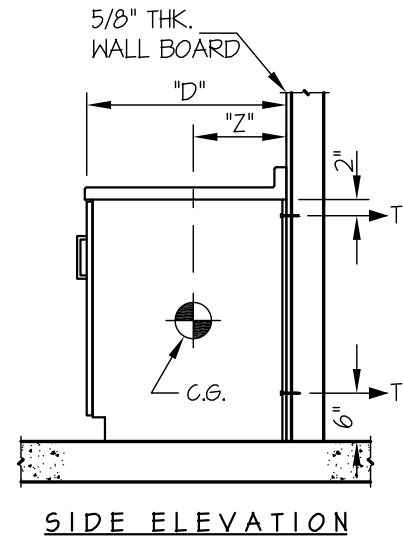
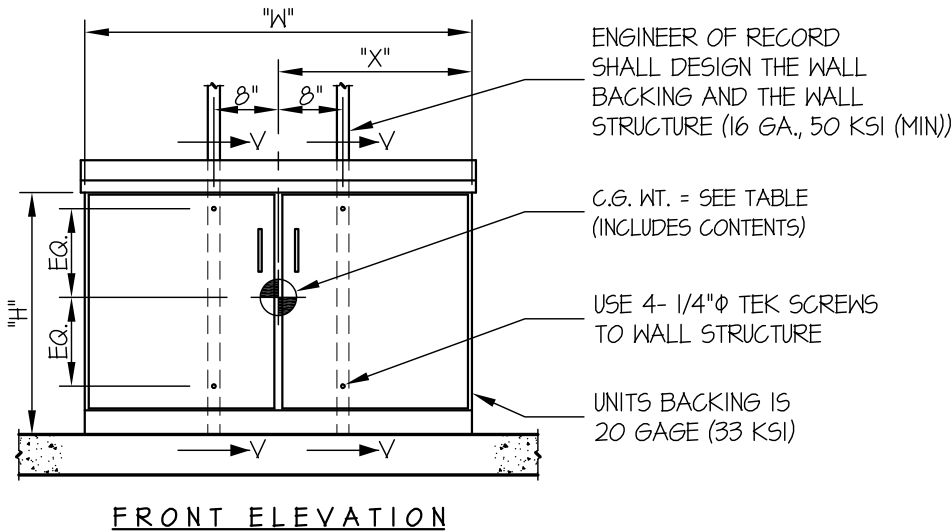
7. DESIGN BACKING BARS, STUDS, ETC. WHICH THE UNITS ARE ATTACHED TO AS NOTED ON THE DRAWINGS. THE SEOR SHALL ALSO VERIFY THE ADEQUACY OF THE STRUCTURES (SUCH AS WALLS AND FLOORS) WHICH SUPPORT THE UNITS FOR THE LOADS IMPOSED ON THEM BY THE UNITS AS WELL AS ALL OTHER LOADS.
8. PROVIDE ANY SUPPORTING STRUCTURE REQUIRED TO SUPPORT WEIGHTS AND FORCES SHOWN, IN ADDITION TO ALL OTHER LOADS.
9. VERIFY THAT THE INSTALLATION IS IN CONFORMANCE WITH THE 2007 CBC AND WITH THE DETAILS SHOWN IN THIS PRE-APPROVAL. VERIFY THAT THE ACTUAL EQUIPMENT'S WEIGHT, CG LOCATION, ANCHOR LOCATIONS, ANCHOR DETAILS AND THE MATERIAL AND GAGE OF THE UNIT WHERE ATTACHMENTS ARE MADE AGREE WITH THE INFORMATION SHOWN ON THE PRE-APPROVAL DOCUMENTS.



EASE EQUIPMENT ANCHORAGE & SEISMIC ENGINEERING www.equipmentanchorage.com		
MIDMARK CORPORATION	DES. R. LA BRIE	SHEET 2
BASE CABINETS	EASE JOB NO. 11-0927	OF 3 SHEETS
	DATE 10/13/09	

SEISMIC ANCHORAGE

WALL MOUNTED



NOTES:

1. ANCHORAGE DESIGN PER 2007 CALIFORNIA BUILDING CODE - SECTION 1613A AND ASCE 7-05 SECTIONS 12 AND 13. ALLOWABLE STRESS DESIGN IS USED.

HORIZONTAL FORCE (E_h) = $0.97 W_p$ ($S_{Ds} = 1.93, a_p = 1.0, I_p = 1.5, R_p = 2.5$)

VERTICAL FORCE (E_v) = $0.27 W_p$

2. CENTER OF GRAVITY (C.G.) WEIGHT IS A MAXIMUM. THIS PRE-APPROVAL ENCOMPASSES ALL WEIGHTS UP TO THE MAXIMUM WEIGHT SHOWN.

3. ENGINEER OF RECORD FOR THE BUILDING SHALL PROVIDE SUPPORT STRUCTURE DESIGNED TO SUPPORT WEIGHTS AND FORCES SHOWN, IN ADDITION TO ALL OTHER LOADS.

4. SEE GENERAL NOTES; SHEET 1.



A P P R O V E D Fixed Equipment Anchorage Office of Statewide Health Planning and Development	
	OPA-2204-07 Pre-approval Program Manager: Anthony R. Pike (916) 440-8470
Reviewed By: Jerry Yee	10/13/09


EASE EQUIPMENT ANCHORAGE & SEISMIC ENGINEERING www.equipmentanchorage.com		DES. R. LA BRIE	SHEET 3
MIDMARK CORPORATION		EASE JOB NO. 11-0927	OF 3 SHEETS
BASE CABINETS		DATE 10/13/09	

SEISMIC ANCHORAGE

WALL MOUNTED

UNIT NAME	MAX WEIGHT (LBS)	W (in.)	H (in.)	D (in.)	X (in.)	Z (in.)	T _{MAX} (LBS/BOLT)	V _{MAX} (LBS/BOLT)
BC010L	489	36	36	24	18	14	175	119
BC025L	367	36	30	24	18	15.1	136	89
BF001	444	36	36	24	18	12.6	149	108
BF015	374	36	30	24	18	12.7	127	91
BP033	480	48	36	24	24	12.7	148	117
BP082	395	48	30	24	24	12.7	122	96
BS045	234	30	36	24	15	13	88	57
BS021	203	36	30	24	18	11.7	66	49
BZ020	382	48	36	24	27	12.4	114	93



A P P R O V E D	
Fixed Equipment Anchorage	
Office of Statewide Health Planning and Development	
	OPA-2204-07
Pre-approval Program Manager: Anthony R. Pike (916) 440-8470	
	
Reviewed By: Jerry Yee	10/13/09