



EASE
EQUIPMENT ANCHORAGE & SEISMIC ENGINEERING
 2801 Connery Way, Suite B
 Missoula, MT 59808
 Phn: (406) 541-EASE (3273) Fax: (406) 541-3274

Office of Statewide Health Planning and Development
ANCHORAGE PRE-APPROVAL

OPA-2205-07

Equipment Manufacturer: MIDMARK CORPORATION

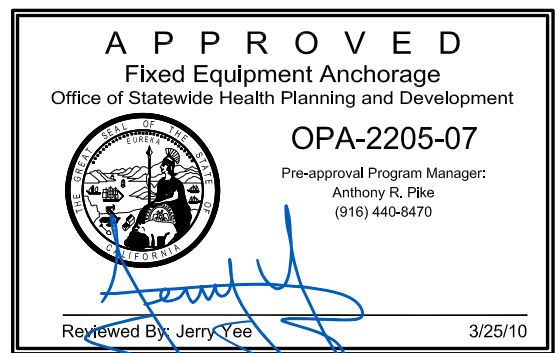
Equipment Type: Corner Wall Cabinets

GENERAL NOTES

1. FORCES PER ASCE 7-05 SECTION 13.3.1, EQUATIONS 13.3-1, 13.3-2 & 13.3-3, WHERE $S_{ds} = 1.93$, $a_p = 1.0$, $I_p = 1.5$ & $R_p = 2.5$
2. THIS PRE-APPROVAL CONFORMS TO THE 2007 CALIFORNIA BUILDING CODE.
3. THE DETAILS IN THIS PRE-APPROVAL MAY BE USED AT ANY LOCATION IN THE STATE OF CALIFORNIA.
4. ALL ANCHOR FORCES SHOWN ON THE DRAWINGS ARE WORKING LOADS (AS OPPOSED TO STRENGTH LEVEL LOADS) AND MAY BE USED FOR ALLOWABLE STRESS DESIGN.
5. SHEET METAL SCREWS SHALL BE TEKS SCREWS BY ITW BUILDEX (ICC ESR-1976).
6. THIS PRE-APPROVAL COVERS THE ANCHORAGE OF THE UNIT ONLY.

RESPONSIBILITIES OF THE STRUCTURAL ENGINEER OF RECORD

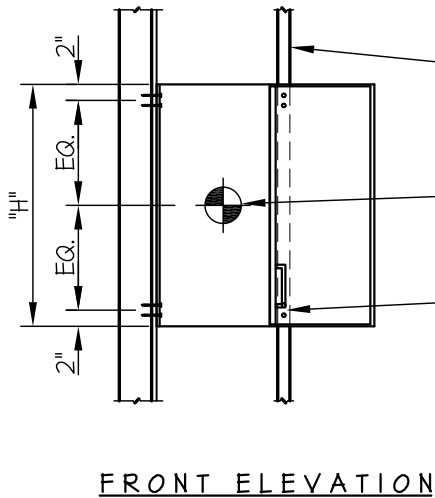
7. DESIGN BACKING BARS, STUDS, ETC. WHICH THE UNITS ARE ATTACHED TO AS NOTED ON THE DRAWINGS. THE SEOR SHALL ALSO VERIFY THE ADEQUACY OF THE STRUCTURES (SUCH AS WALLS AND FLOORS) WHICH SUPPORT THE UNITS FOR THE LOADS IMPOSED ON THEM BY THE UNITS AS WELL AS ALL OTHER LOADS.
8. PROVIDE ANY SUPPORTING STRUCTURE REQUIRED TO SUPPORT WEIGHTS AND FORCES SHOWN, IN ADDITION TO ALL OTHER LOADS.
9. VERIFY THAT THE INSTALLATION IS IN CONFORMANCE WITH THE 2007 CBC AND WITH THE DETAILS SHOWN IN THIS PRE-APPROVAL. VERIFY THAT THE ACTUAL EQUIPMENT'S WEIGHT, CG LOCATION, ANCHOR LOCATIONS, ANCHOR DETAILS AND THE MATERIAL AND GAGE OF THE UNIT WHERE ATTACHMENTS ARE MADE AGREE WITH THE INFORMATION SHOWN ON THE PRE-APPROVAL DOCUMENTS.



EQUIPMENT ANCHORAGE & SEISMIC ENGINEERING www.equipmentanchorage.com	DES. R. LA BRIE	SHEET 2
	EASE JOB NO. 11-0927	OF 2 SHEETS
	DATE 3/25/10	
MIDMARK CORPORATION		
CORNER WALL CABINETS		

SEISMIC ANCHORAGE

WALL MOUNTED



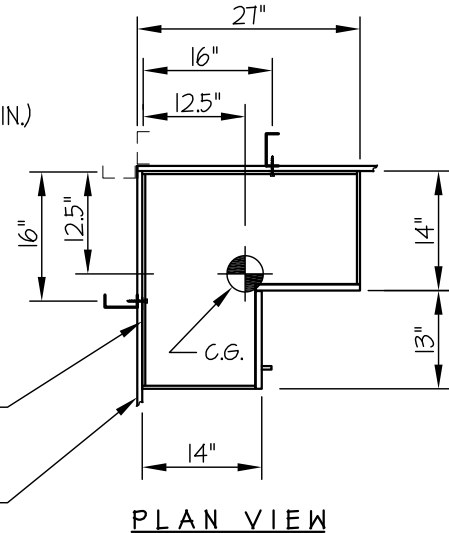
ENGINEER OF RECORD SHALL DESIGN THE WALL BACKING AND THE WALL STRUCTURE (16 GA., 50 ksi MIN.)

C.G. WT. = SEE TABLE (INCLUDES CONTENTS)

USE 8- 1/4"Φ TEK SCREWS TO WALL STRUCTURE

UNITS BACKING IS 20 GAGE (33 KSI)

5/8" THK. WALL BOARD



UNIT NAME	MAX WEIGHT (LBS.)	W (in.)	H (in.)	D (in.)	T _{MAX} (LBS/BOLT)	V _{MAX} (LBS/BOLT)
OC047L	408	27	36	14	101	120
OC032L	323	27	30	14	88	102
OC003L	229	27	18	14	93	100

NOTES:

1. ANCHORAGE DESIGN PER 2007 CALIFORNIA BUILDING CODE - SECTION 1613A AND ASCE 7-05 SECTIONS 12 AND 13. ALLOWABLE STRESS DESIGN IS USED.

HORIZONTAL FORCE (E_h) = $0.97 W_p$ ($S_{Ds} = 1.93$, $a_p = 1.0$, $I_p = 1.5$, $R_p = 2.5$)

VERTICAL FORCE (E_v) = $0.27 W_p$

2. CENTER OF GRAVITY (C.G.) WEIGHT IS A MAXIMUM. THIS PRE-APPROVAL ENCOMPASSES ALL WEIGHTS UP TO THE MAXIMUM WEIGHT SHOWN.

3. ENGINEER OF RECORD FOR THE BUILDING SHALL PROVIDE RIGID ($a_p = 1.0$) SUPPORT STRUCTURE DESIGNED TO SUPPORT WEIGHTS AND FORCES SHOWN, IN ADDITION TO ALL OTHER LOADS.

4. SEE GENERAL NOTES: SHEET 1.



A P P R O V E D	
Fixed Equipment Anchorage	
Office of Statewide Health Planning and Development	
	OPA-2205-07
Pre-approval Program Manager: Anthony R. Pike (916) 440-8470	
Reviewed By: Jerry Yee	3/25/10