



EASE
EQUIPMENT ANCHORAGE & SEISMIC ENGINEERING

2801 Connery Way Suite B

Missoula, MT 59808

Phn: (406) 541-3273 Fax: (406) 541-3274

Office of Statewide Health Planning and Development
ANCHORAGE PRE-APPROVAL

OPA-2375-07

Equipment Manufacturer: Midmark

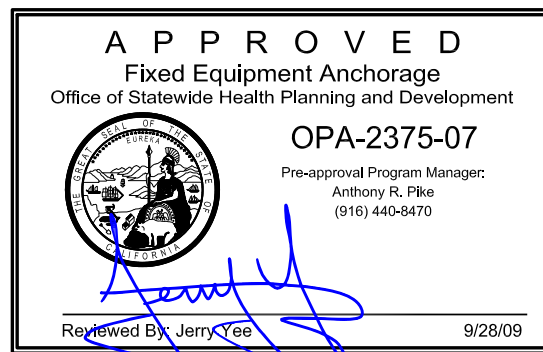
Equipment Type: Dressing/Scope Nook

GENERAL NOTES

1. FORCES PER ASCE 7-05 SECTION 13.3.1, EQUATIONS 13.3-1, 13.3-2 & 13.3-3, WHERE $S_{DS} = 1.93$, $a_p = 1.0$, $I_p = 1.5$ & $R_p = 2.5$
2. THIS PRE-APPROVAL CONFORMS TO THE 2007 CALIFORNIA BUILDING CODE.
3. THE DETAILS IN THIS PRE-APPROVAL MAY BE USED AT ANY HEIGHT AND AT ANY LOCATION IN THE STATE OF CALIFORNIA.
4. ALL ANCHOR FORCES SHOWN ON THE DRAWINGS ARE WORKING LOADS (AS OPPOSED TO STRENGTH LEVEL LOADS) AND MAY BE USED FOR ALLOWABLE STRESS DESIGN.
5. SHEET METAL SCREWS SHALL BE TEKS SCREWS BY ITW BUILDEX (ICC ESR-1976).
6. PER CAN 2-1708A.5, THIS UNIT DOES NOT REQUIRE "SPECIAL SEISMIC CERTIFICATION".

RESPONSIBILITIES OF THE STRUCTURAL ENGINEER OF RECORD

7. DESIGN BACKING BARS, STUDS, ETC. WHICH THE UNITS ARE ATTACHED TO AS NOTED ON THE DRAWINGS. THE SEOR SHALL ALSO VERIFY THE ADEQUACY OF THE STRUCTURES (SUCH AS WALLS AND FLOORS) WHICH SUPPORT THE UNITS FOR THE LOADS IMPOSED ON THEM BY THE UNITS AS WELL AS ALL OTHER LOADS.
8. PROVIDE ANY SUPPORTING STRUCTURE REQUIRED TO SUPPORT WEIGHTS AND FORCES SHOWN, IN ADDITION TO ALL OTHER LOADS.
9. VERIFY THAT THE INSTALLATION IS IN CONFORMANCE WITH THE 2007 CBC AND WITH THE DETAILS SHOWN IN THIS PRE-APPROVAL. VERIFY THAT THE ACTUAL EQUIPMENT'S WEIGHT, CG LOCATION, ANCHOR LOCATIONS, ANCHOR DETAILS AND THE MATERIAL AND GAGE OF THE UNIT WHERE ATTACHMENTS ARE MADE AGREE WITH THE INFORMATION SHOWN ON THE PRE-APPROVAL DOCUMENTS.



MIDMARK

DRESSING/SCOPE NOOK

DES. **R. LA BRIE**

JOB NO. **11-0989**

DATE **9/28/09**

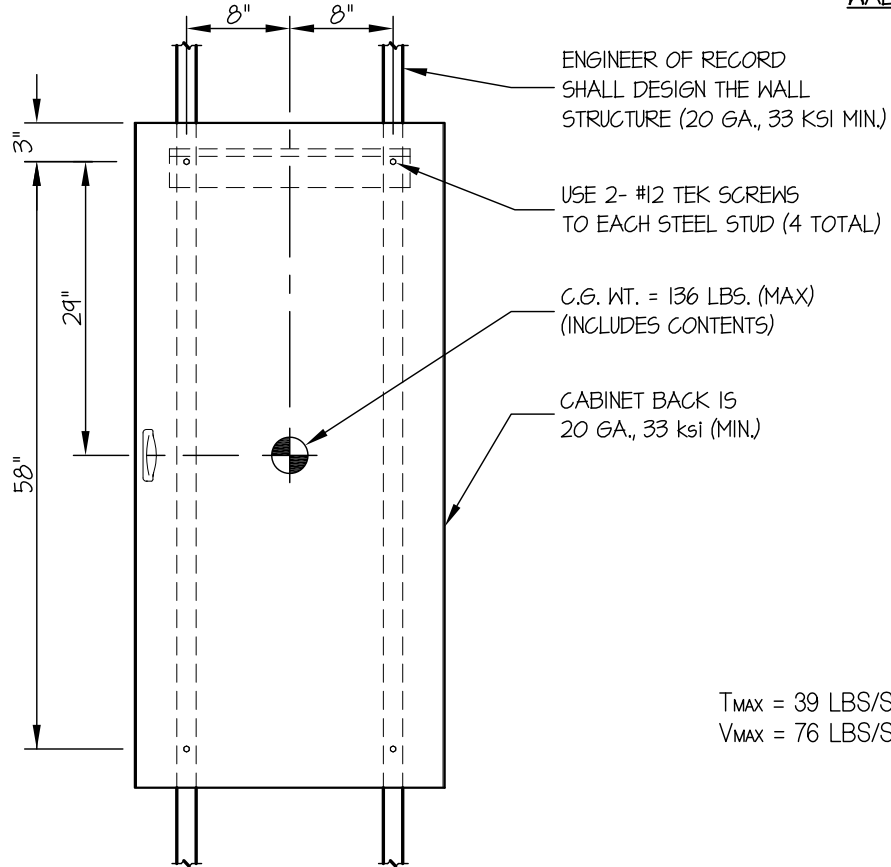
SHEET

2

OF **3** SHEETS

SEISMIC ANCHORAGE

WALL MOUNTED

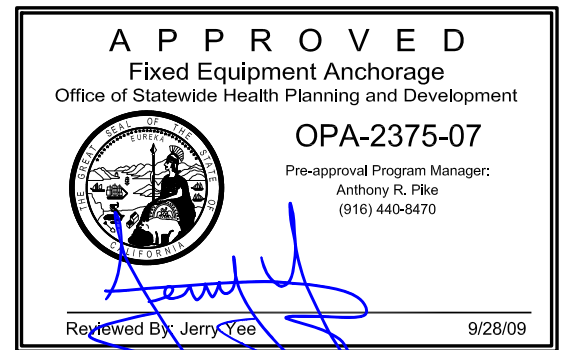
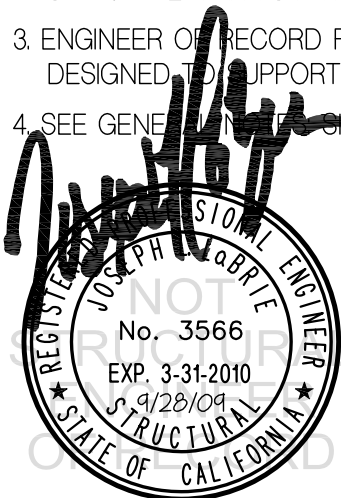


T_{MAX} = 39 LBS/SCREW
 V_{MAX} = 76 LBS/SCREW

FRONT ELEVATION

NOTES:

1. ANCHORAGE DESIGN PER 2007 CALIFORNIA BUILDING CODE - SECTION 1613A AND ASCE 7-05 SECTIONS 12 AND 13. ALLOWABLE STRESS DESIGN IS USED.
 HORIZONTAL FORCE (E_H) = $0.97 W_p$ ($S_{DS} = 1.93, a_p = 1.0, I_p = 1.5, R_p = 2.5$)
 VERTICAL FORCE (E_v) = $0.27 W_p$
2. CENTER OF GRAVITY (C.G.) WEIGHT IS A MAXIMUM. THIS PRE-APPROVAL ENCOMPASSES ALL WEIGHTS UP TO THE MAXIMUM WEIGHT SHOWN.
3. ENGINEER OF RECORD FOR THE BUILDING SHALL PROVIDE SUPPORT STRUCTURE DESIGNED TO SUPPORT WEIGHTS AND FORCES SHOWN, IN ADDITION TO ALL OTHER LOADS.
4. SEE GENERAL NOTES SHEET 1.



MIDMARK

DRESSING/SCOPE NOOK

DES. **R. LA BRIE**

JOB NO. **11-0989**

DATE **9/28/09**

SHEET

3

OF **3** SHEETS

SEISMIC ANCHORAGE

WALL MOUNTED

5/8" THK.
WALL BOARD

ENGINEER OF RECORD
SHALL DESIGN THE WALL
STRUCTURE (20 GA., 33 KSI MIN.)

USE 2- #12 TEK SCREWS
TO EACH STEEL STUD (4 TOTAL)

2 x STUDS OR 4 x BLKG
(DOUGLAS-FIR LARCH
NUMBER 2 MIN.)
(DESIGNED BY ENGINEER
OF RECORD)

USE 2- 1/4"φ X 3"
LAG BOLTS AT EACH
WOOD STUD OR BLKG.
(PRE-DRILL HOLES
TO SHANK DIAMETER)

5/8" THK.
WALL BOARD

C.G. WT. =
136 LBS. (MAX)
(INCLUDES
CONTENTS)

CABINET BACK IS
20 GA., 33 ksi (MIN.)

SIDE ELEVATION
AT STEEL STUD WALL

SIDE ELEVATION
AT WOOD STUD WALL

