



www.midmark.com
design@midmark.com
Phone: 1-800-MIDMARK

Project Name **AH Customer Experience Center**

Project # **MS190635**

Phase **01**

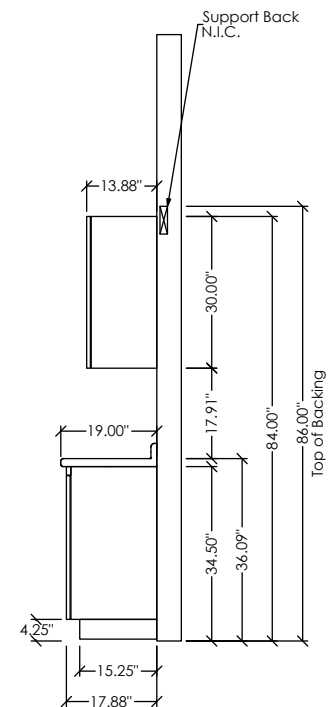
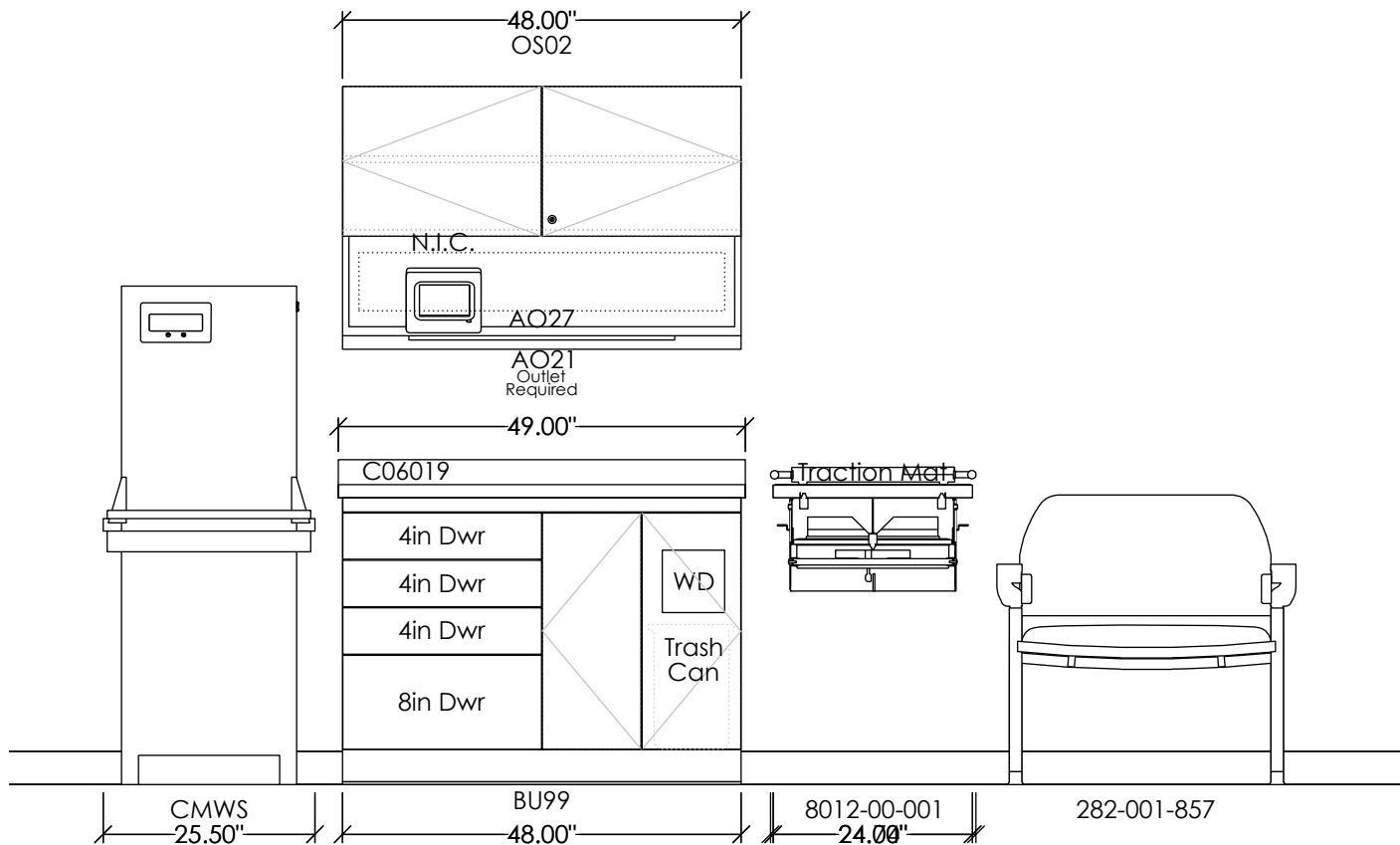
Rev: **1**

Signed Drawings Required To Process Order

Base Finish:	791-Frost	Tasklight:	Included	Top Material:	Laminate
Upper Finish:	791-Frost	Grommet:	None	Top Color:	Graphite Nebula (Discontinued):
Panel Style:	Cove Panel	Ultrasonic:	None	Note:	Sink/Faucet not included
Handle:	None	Note:		Sink:	None
Lock:	T105Keyed Locking (See Elevation)	Note:		Faucet:	None

(Signature)

(Date)



04-Exam Room

See Countertop Detail Sheet: Laminate A, Postformed w/ Int BS 1" x 3"