

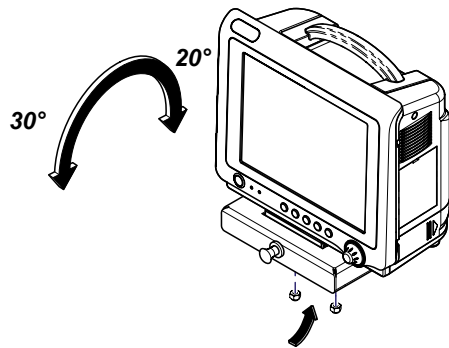


Cardell Monitor Mount to Canis [8008-003, 8008-004, 8008-006]

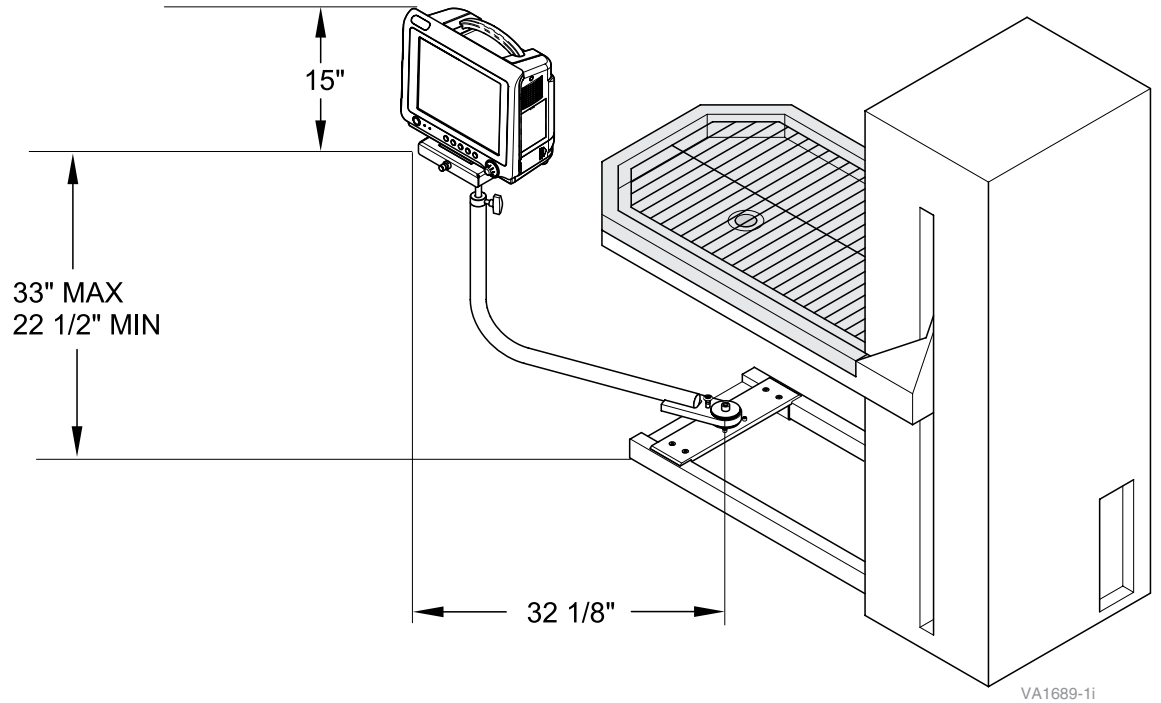
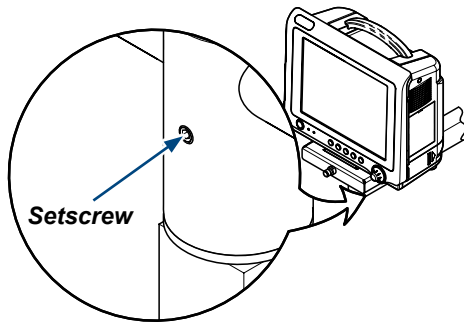
Applies to Models:
Cardell 8013 / 8014 / 8015
9400 / 9500
Models
Cardell MAX-12 Models

Intended Use:
To Mount a Cardell monitor to the Canis Major Wet Table.

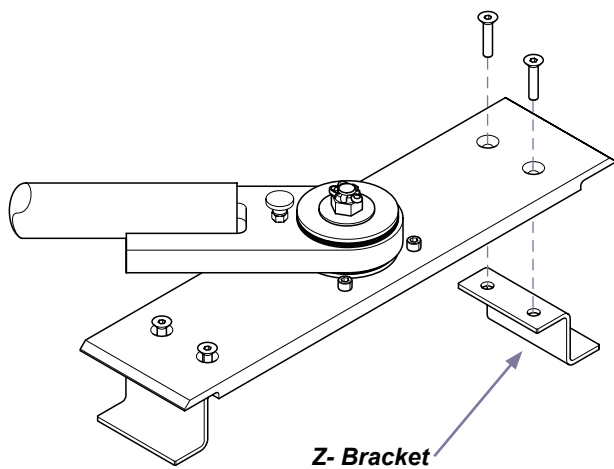
Adjustment Nuts Underneath for Forward and Backward Swivel on Mobile, Pole and Stud Mount



Adjustment Setscrew for Rotational Resistance

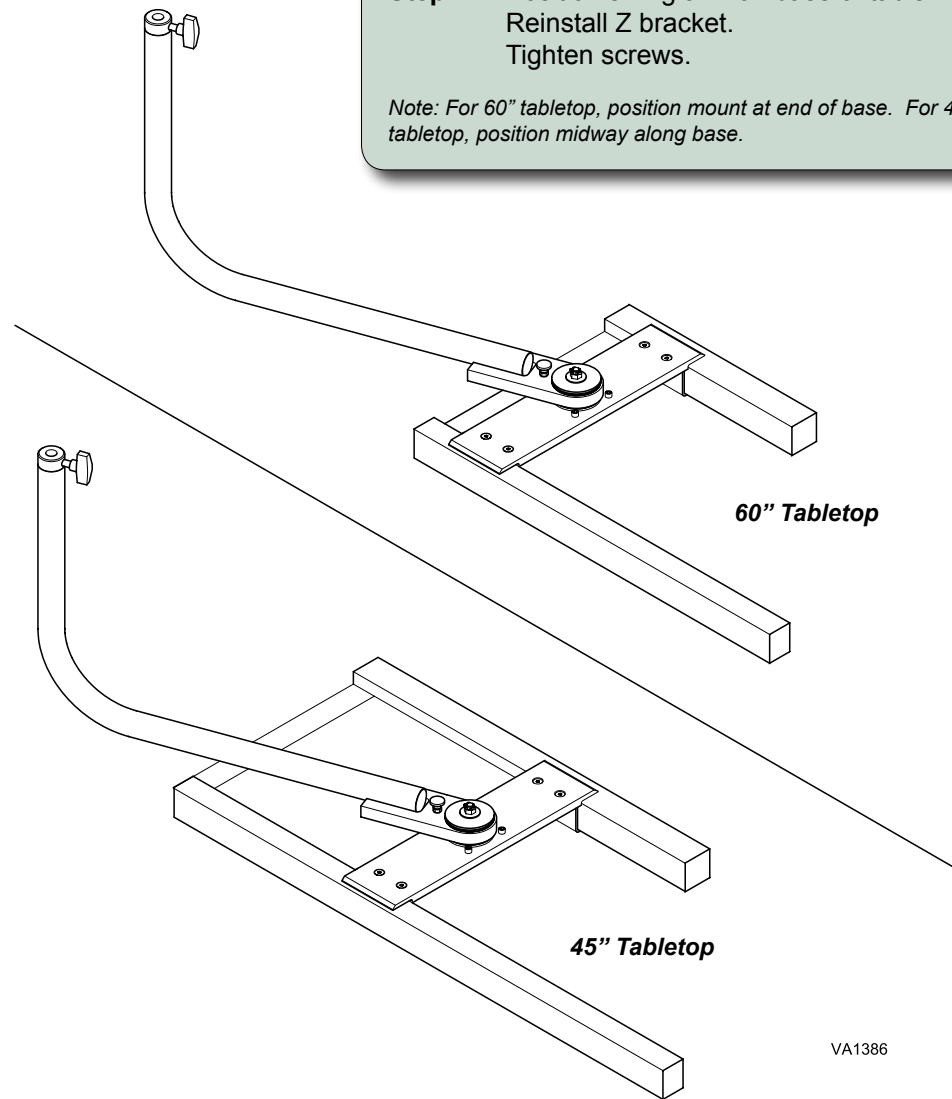


Step 1: Remove one Z bracket and loosen the screws on the other side.



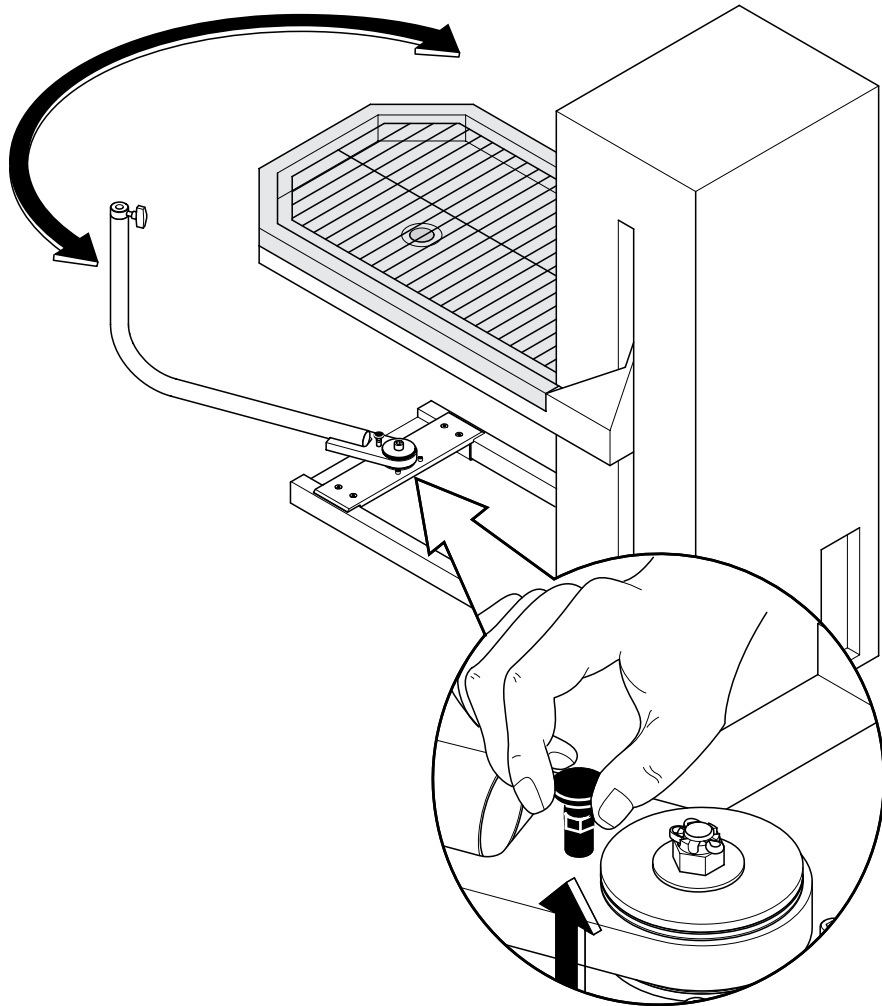
Step 2: Position swing arm on base of table.
Reinstall Z bracket.
Tighten screws.

Note: For 60" tabletop, position mount at end of base. For 45" tabletop, position midway along base.



VA1386

Step 3: Pull up retractable pin, move arm to desired side and release.

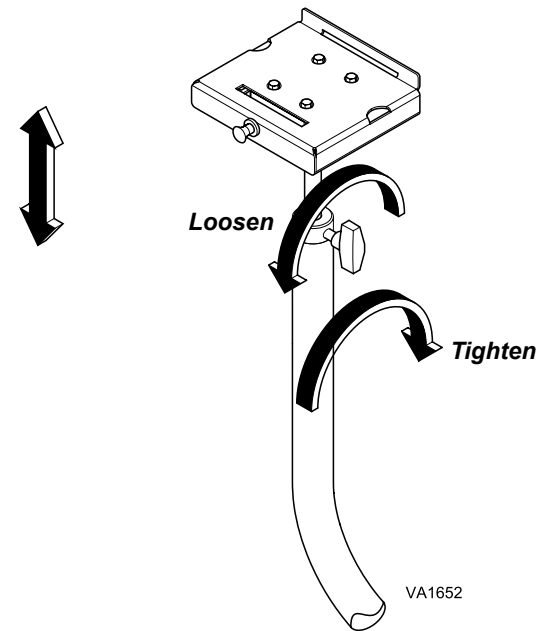


Step 4: Adjust height of monitor plate.
Counter clockwise to loosen, clockwise to tighten.



Caution

When adjusting extension bar, pull up and down slowly so mounting bar doesn't come out of swing arm.



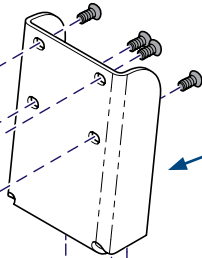
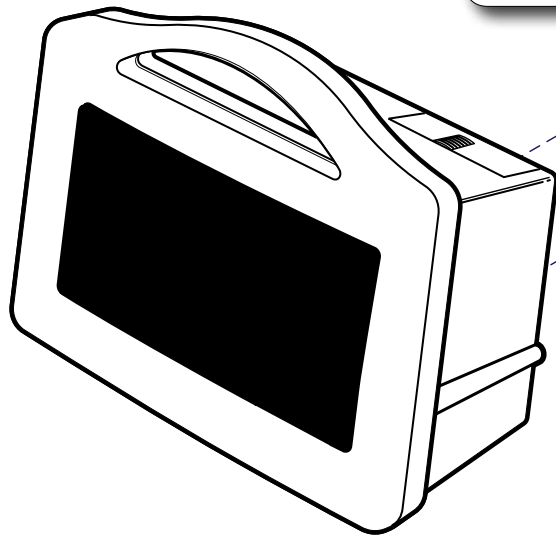
Equipment Alert

Ensure that arm is kept in the left-hand or right-hand position (not underneath tabletop). Anesthesia equipment must be clear of table top as it is raised or lowered.

9400 Monitor Shown

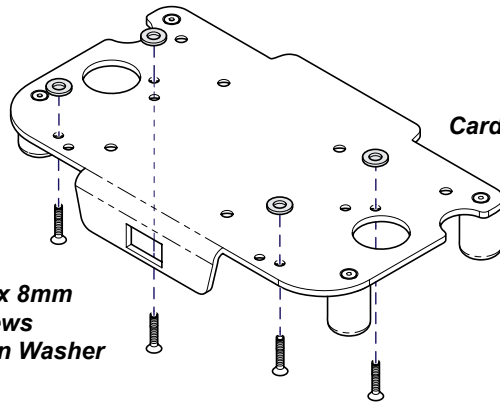
Note
Prior to mounting plate, remove any screws already fastened to mounting holes.

Step 5: Install mounting plate to monitor and set aside.
Note: Bolt directly into the bottom of monitor with Cardell Insight, Cardell Touch, 9500, and MAX-12 models. Washer and screws included in parts bag.



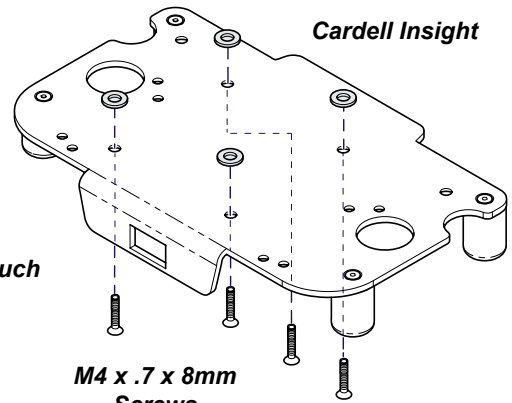
Back Plate

Back Plate Not Required for 9500, MAX-12, Cardell Insight and Cardell Touch



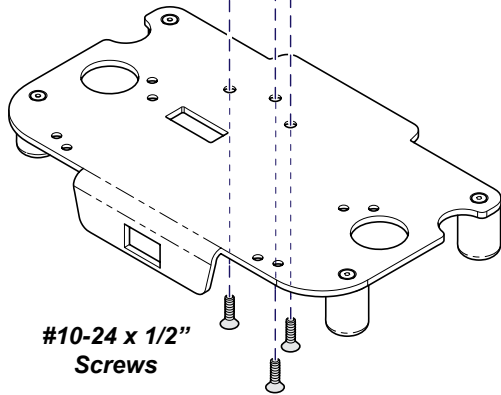
Cardell Touch

M4 x .7 x 8mm
Screws
& 1/4" Plain Washer

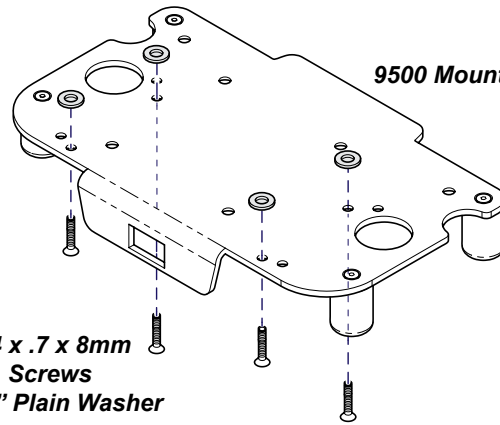


Cardell Insight

M4 x .7 x 8mm
Screws
& 1/4" Plain Washer

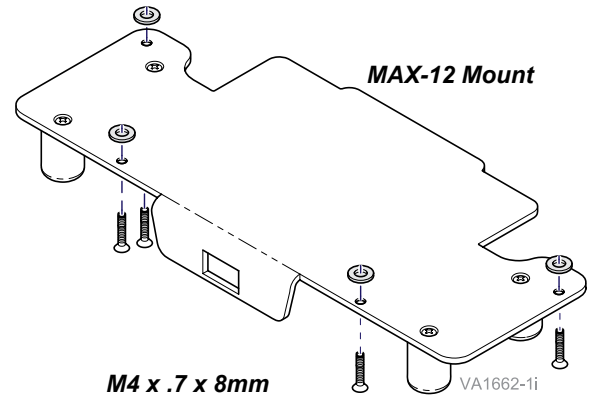


#10-24 x 1/2"
Screws



9500 Mount

M4 x .7 x 8mm
Screws
& 1/4" Plain Washer



MAX-12 Mount

M4 x .7 x 8mm
Screws
& 1/4" Plain Washer

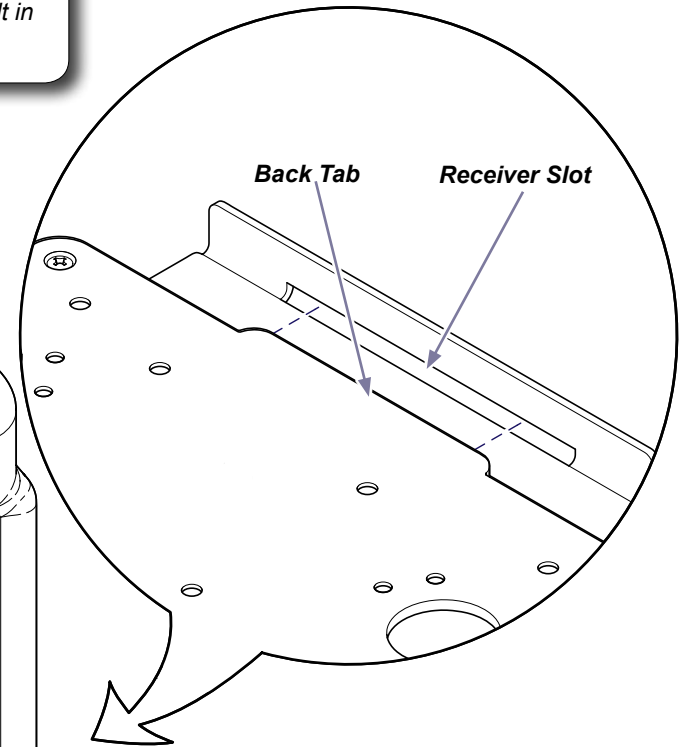
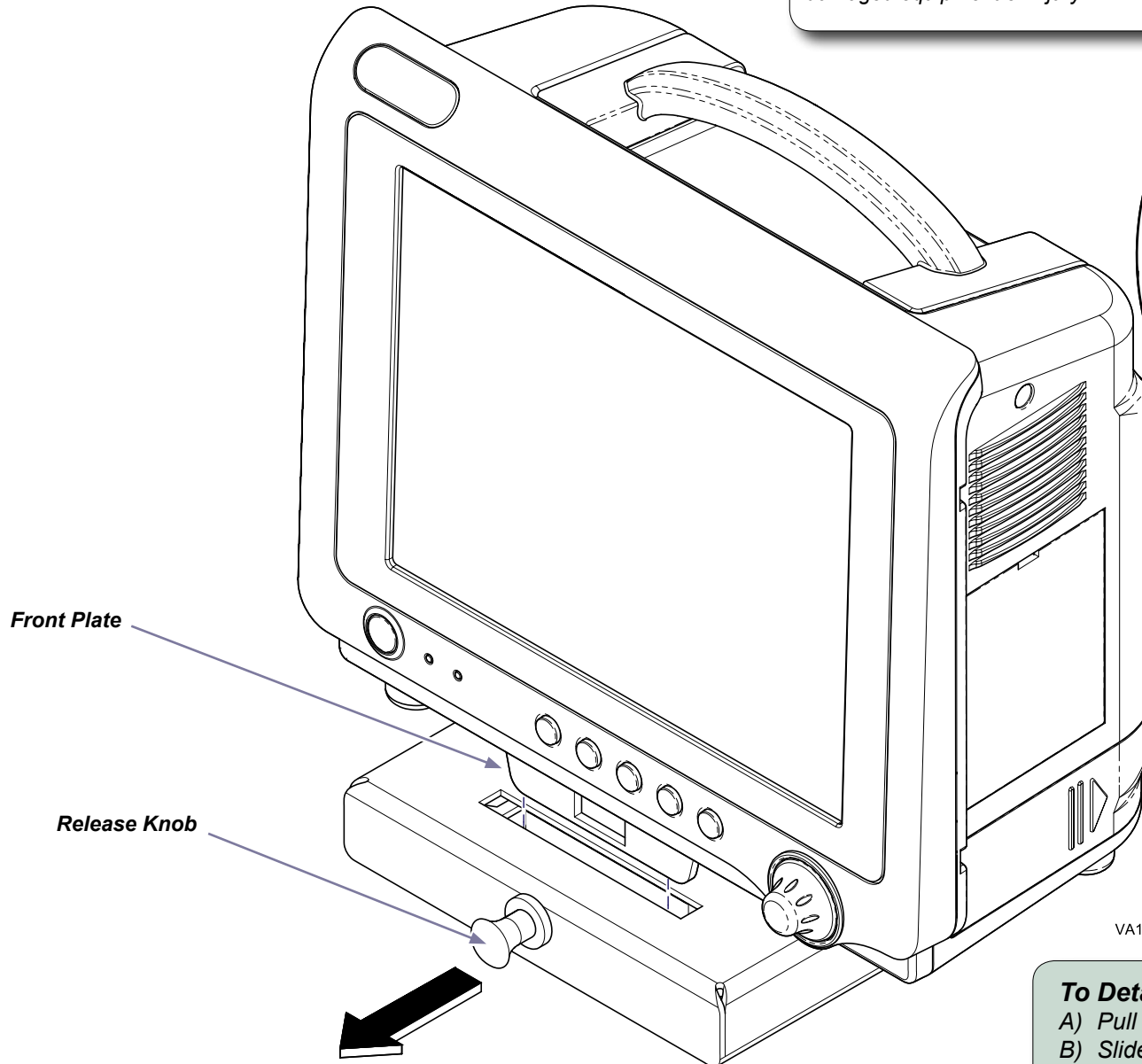
VA1662-1i

Step 6: Set monitor into swivel/tilt head assembly.



Caution

Incorrect installation of monitor could result in damaged equipment or injury.



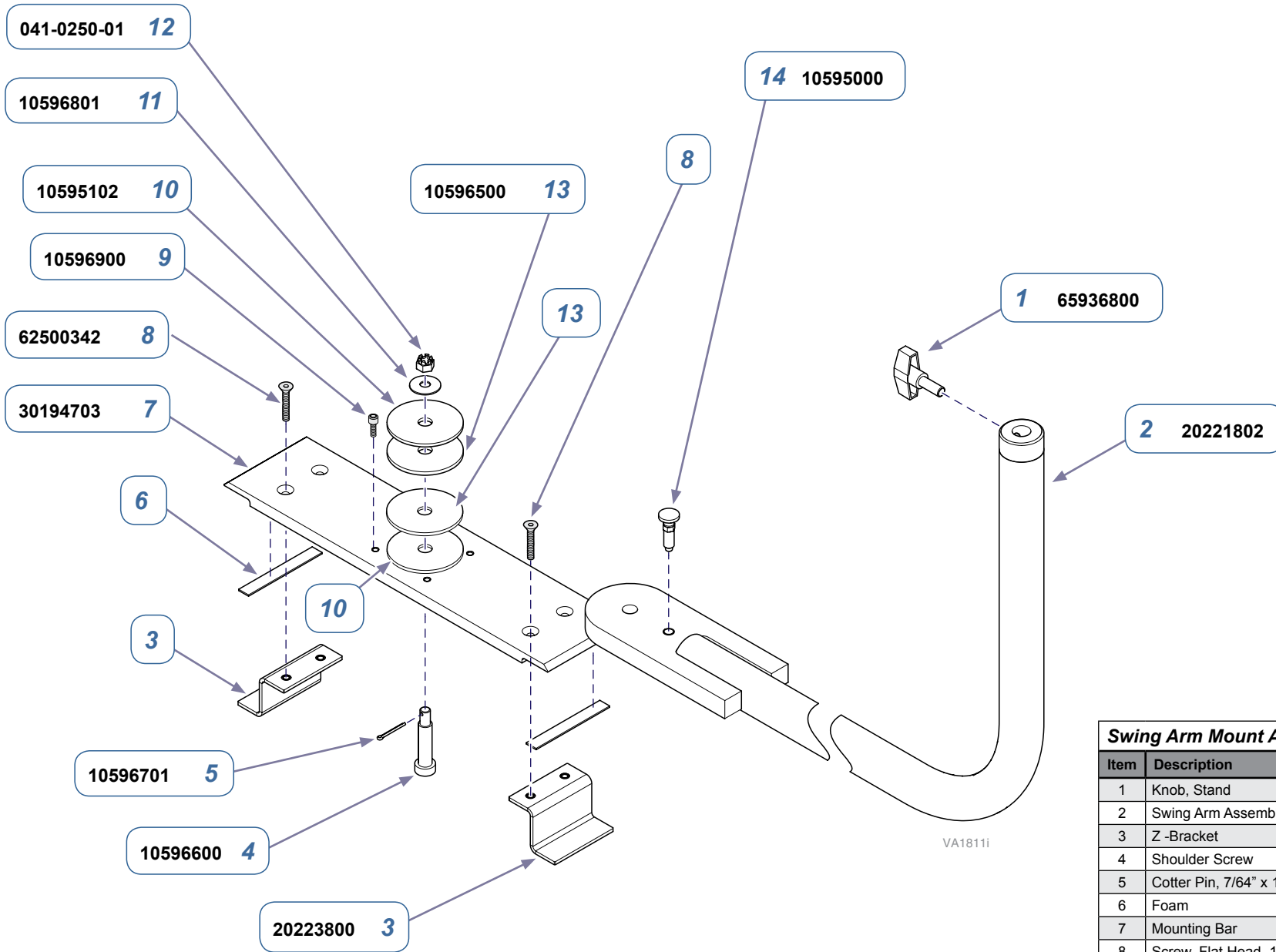
To install...

- A) Slide back tab into receiver slot.
- B) Front plate snaps into receiver plate.

VA1653i-1

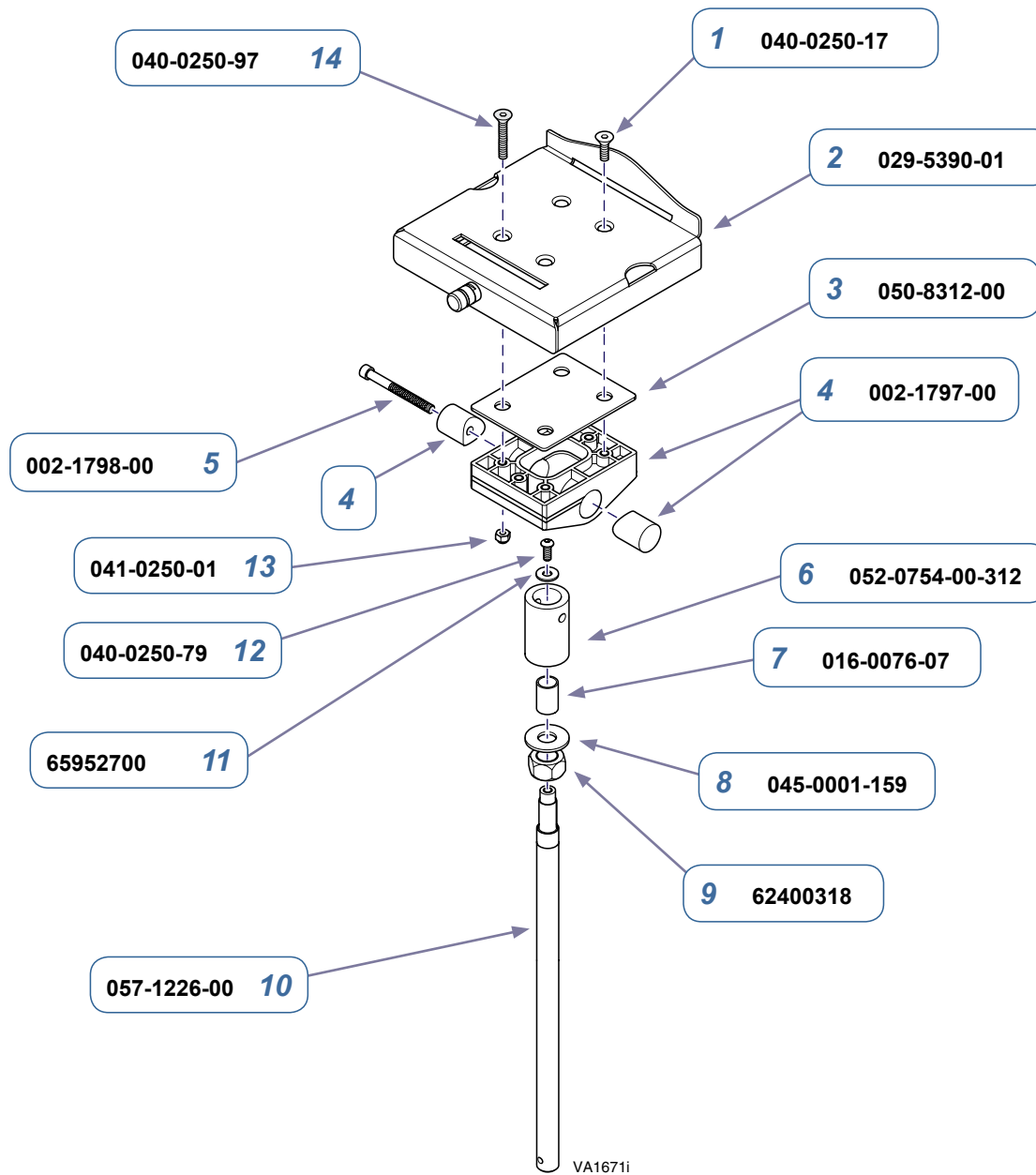
To Detach...

- A) Pull knob to release.
- B) Slide back tab out of receiver slot.



Swing Arm Mount Assembly		
Item	Description	Qty.
1	Knob, Stand	1
2	Swing Arm Assembly	1
3	Z-Bracket	2
4	Shoulder Screw	1
5	Cotter Pin, 7/64" x 1"	1
6	Foam	AR
7	Mounting Bar	1
8	Screw, Flat Head, 1/4-20 x 1 1/4	4
9	Screw, Socket Head	4
10	Spacer, 2" Bearing, Outer	2
11	Disc Spring, 1.25 x .380 x .053	1
12	Nut NyLock Hex, 1/4-20 CD, ZN	1
13	Bushing, Anesthesia Mount	2
14	Spring, Plunger	1

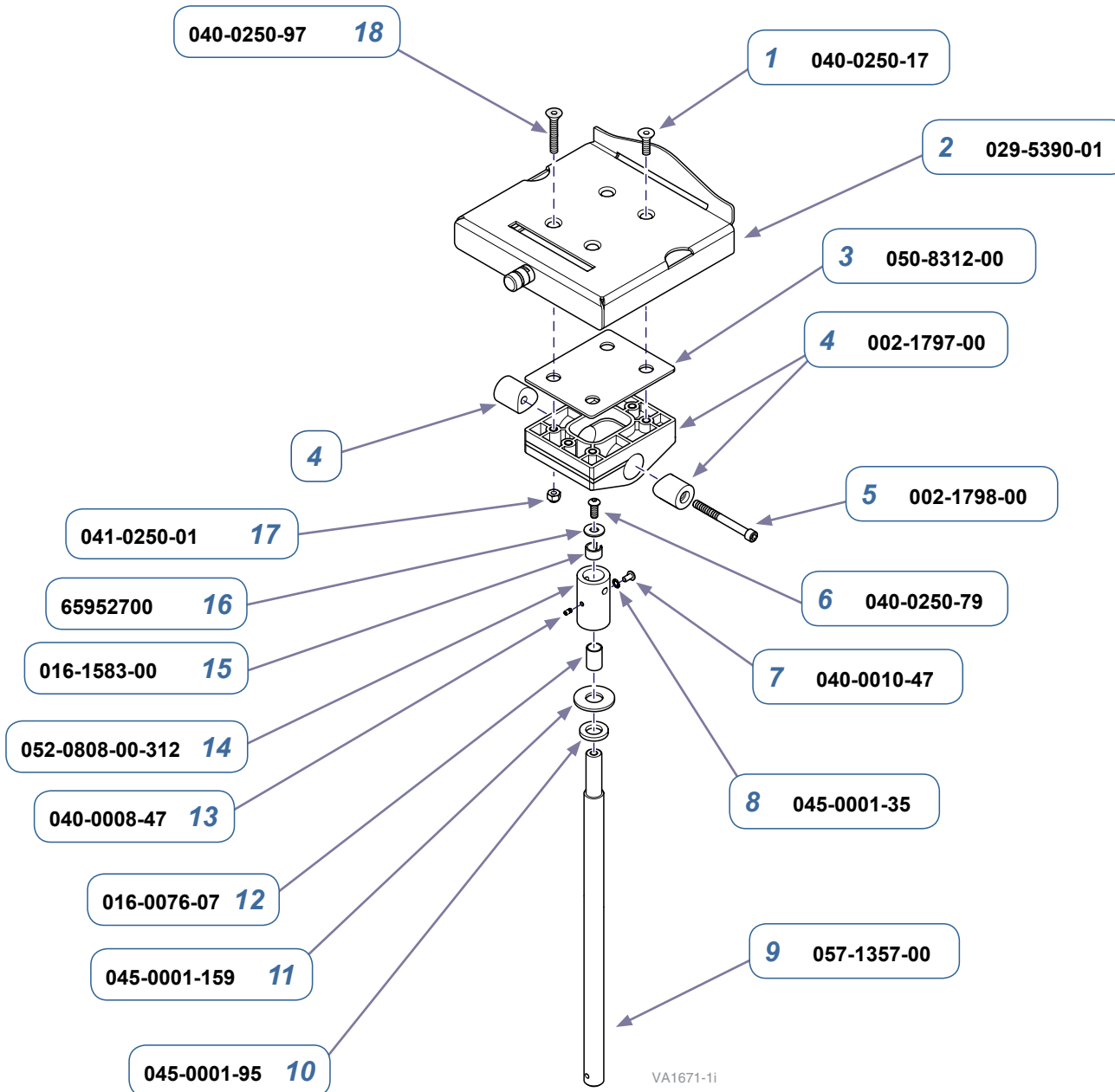
Serial Numbers / Dates: all



Upper Mount Assembly		
Item	Description	Qty.
1	1/4-20 x 1 1/4 Hex Socket Flat Head	2
2	Receiver Plate	1
3	Plate Spacer	1
4	Tilt Block Assembly Kit: (includes item #5) • Pivot Pin, Threaded, Tilt Block • Pivot Pin, Tilt Block	1
5	• Tilt Block Screw Kit: (1/4-20 x 2 1/2) •• Lock Adhesive (not shown)	1
6	Coupler, Swivel / Tilt	1
7	DU Bearing, .500 ID x .594 OD x .875 Long	1
8	Nylon 6/6 Washer, 1/2 (.530) ID x 1.25 OD x .09	1
9	Hex Nut, 5/8-18	1
10	Mounting Stud, 15" Long	1
11	Washer, Flat 1/4"	1
12	Screw, 1/4-20 x 5/8 Hex Socket	1
13	Nut NyLock Hex, 1/4-20 CD, ZN	1
14	1/4-20, Hex Socket, Flat Head	2

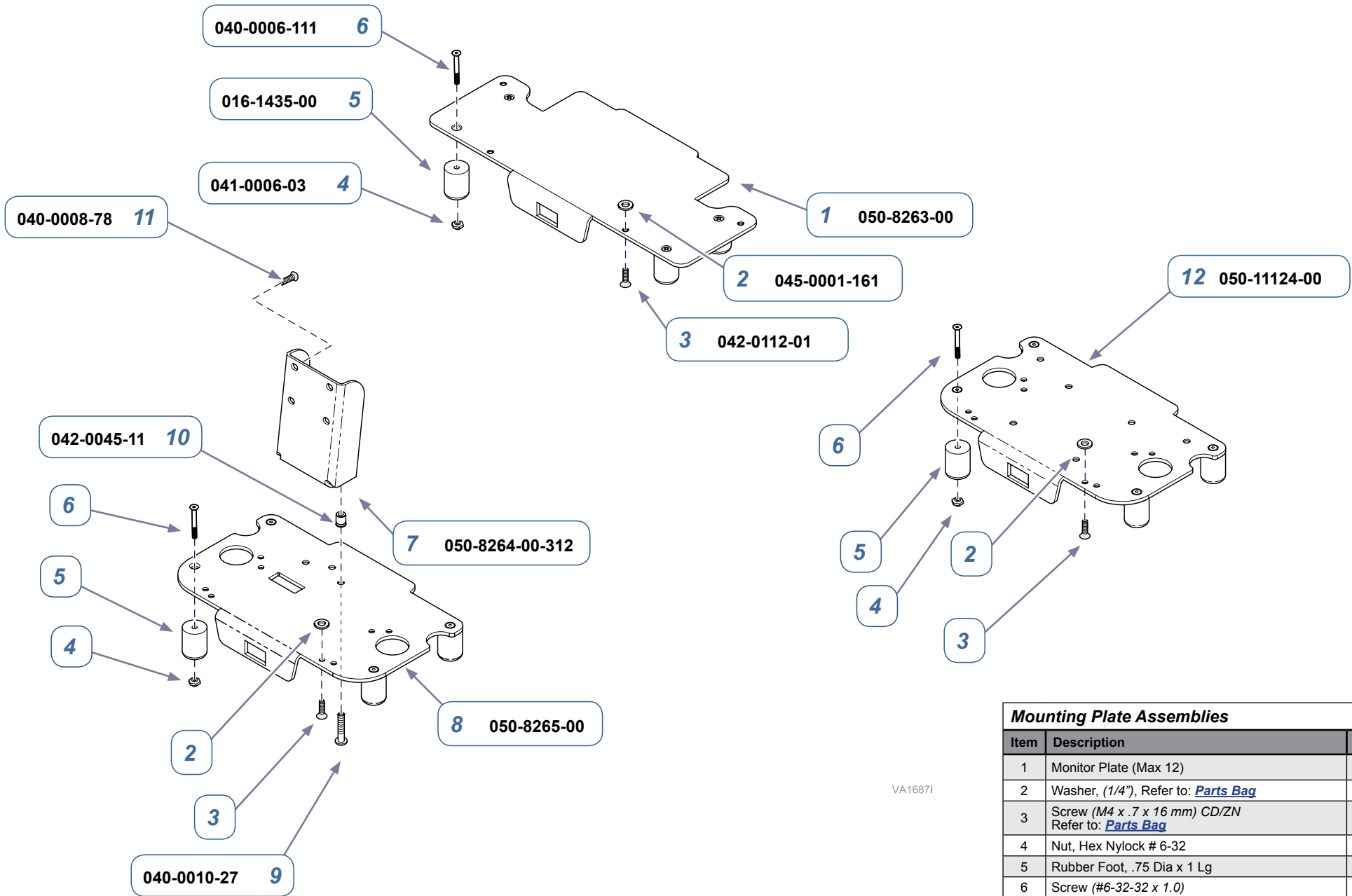
Serial Numbers / Dates:

V1068237 to V1366386



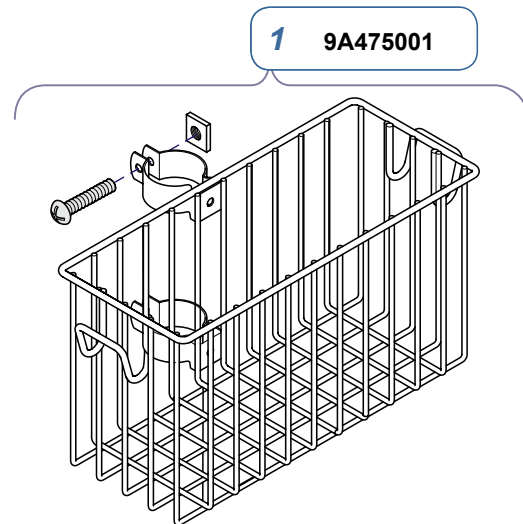
Upper Mount Assembly		
Item	Description	Qty.
1	1/4-20 x 1 1/4 Hex Socket Flat Head	2
2	Receiver Plate	1
3	Plate Spacer	1
4	Tilt Block Assembly Kit: (includes item #5) • Pivot Pin, Threaded, Tilt Block • Pivot Pin, Tilt Block	1
5	• Tilt Block Screw Kit: (1/4-20 x 2 1/2) •• Lock Adhesive (not shown)	1
6	Screw, 1/4-20 x 5/8 Hex Socket	1
7	Screw (.190-24 THD x 3/8")	1
8	Lock Washer (.190 INT BO)	1
9	Mounting Stud	1
10	Washer (.500)	1
11	Nylon 6/6 Washer, 1/2 (.530) ID x 1.25 OD x .09	1
12	DU Bearing, .500 ID x .594 OD x .875 Long	1
13	Set Screw (0.164-32 X 0.312 HEX)	1
14	Coupler, Swivel / Tilt	1
15	Slotted Bearing	1
16	Washer, Flat 1/4"	1
17	Nut NyLock Hex, 1/4-20 CD, ZN	4
18	1/4-20, Hex Socket, Flat Head	2

Serial Numbers / Dates: V1366387 to Present



Mounting Plate Assemblies		
Item	Description	Qty.
1	Monitor Plate (Max 12)	1
2	Washer, (1/4"), Refer to: Parts Bag	4
3	Screw (M4 x .7 x 16 mm) CD/ZN Refer to: Parts Bag	4
4	Nut, Hex Nylock # 6-32	4
5	Rubber Foot, .75 Dia x 1 Lg	4
6	Screw (#6-32-32 x 1.0)	4
7	Adapter (back) Plate	1
8	Monitor Plate (9400 / 9500 / 8013)	1
9	Screw(10-24)	3
10	Nutsert(10-24)	3
11	Pan Head Phillips Screw, (#8-32 x 1/4")	4
12	Monitor Plate - (9500/8013/8014/8015)	1

Serial Numbers / Dates: all



VA1677i

Note:

May also order Accessory Basket 9A475000 for 1 3/4" diameter pole equipment.

Basket		
Item	Description	Qty.
1	Accessory Basket (1 1/2" Dia Pole) Fits on all Models in this manual	1
2	Not Shown - 9A475000 (1 3/4" Dia Pole) Does not fit on model in this manual, may order for other equipment with 1 3/4" dia pole.	1

Serial Numbers / Dates:

all