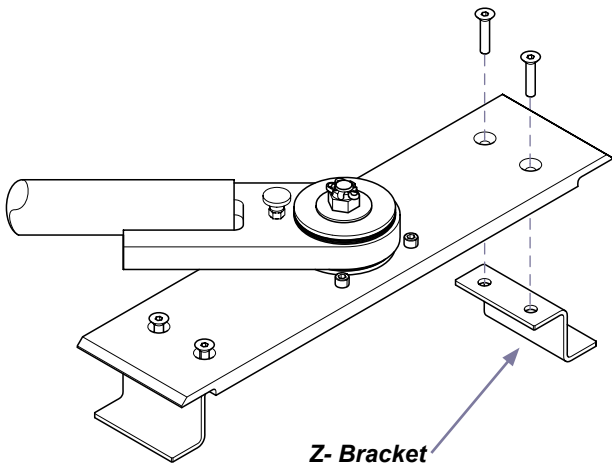




Canis Major Anesthesia Mount [40165601 & 40165602]

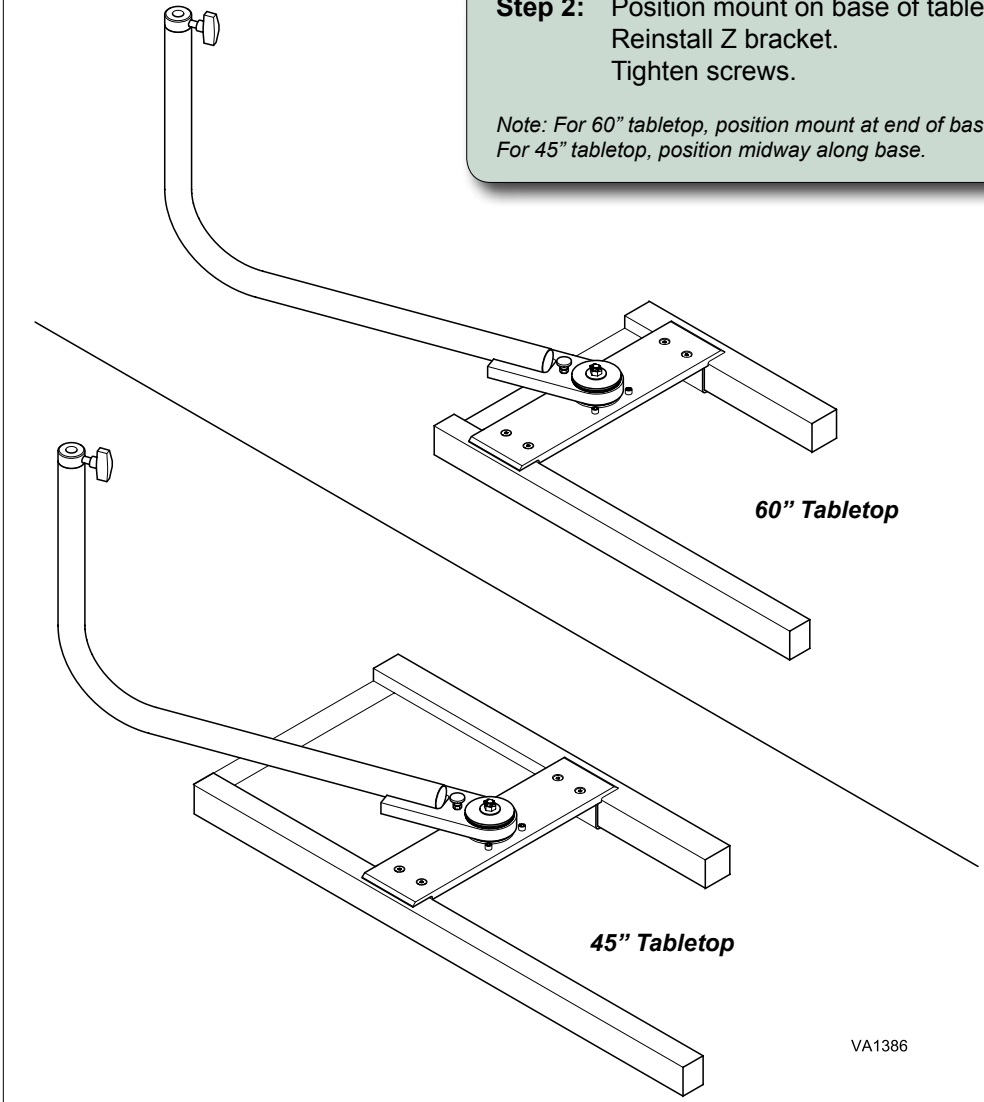
Intended Use:
To Mount a Matrix anesthesia machine to the Canis Major Wet Table.

Step 1: Remove one Z bracket and loosen the screws on the other side.



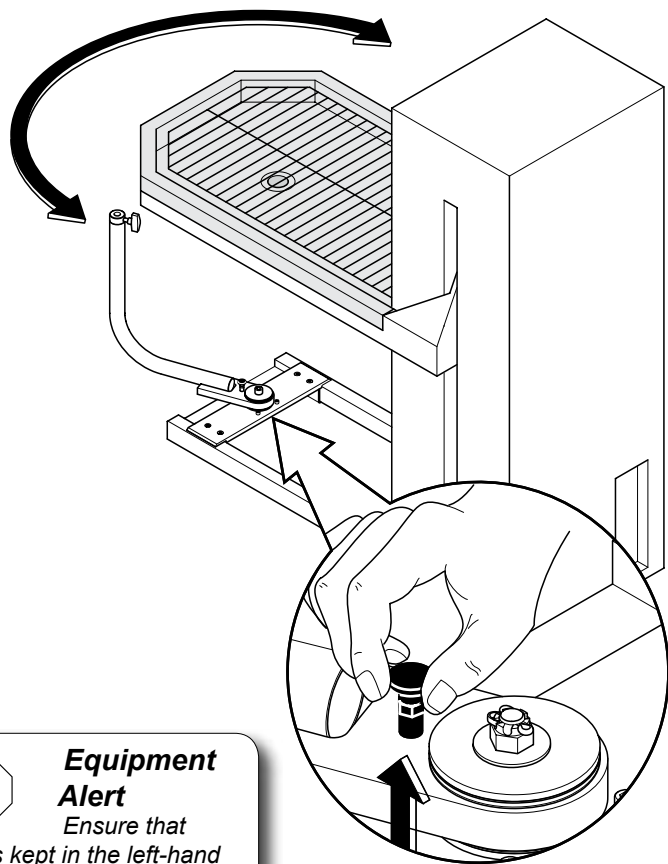
Step 2: Position mount on base of table.
Reinstall Z bracket.
Tighten screws.

*Note: For 60" tabletop, position mount at end of base.
For 45" tabletop, position midway along base.*



VA1386

Step 3: Raise table. Pull up retractable pin, move arm to desired side and release.



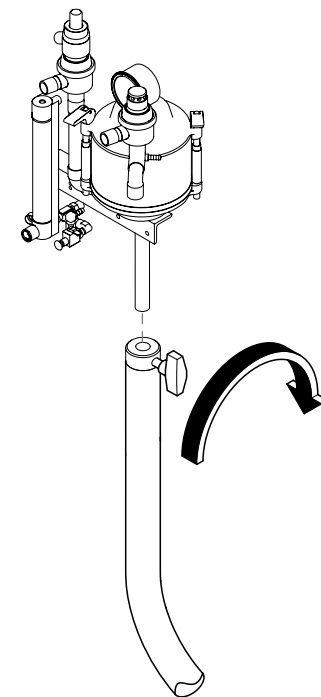
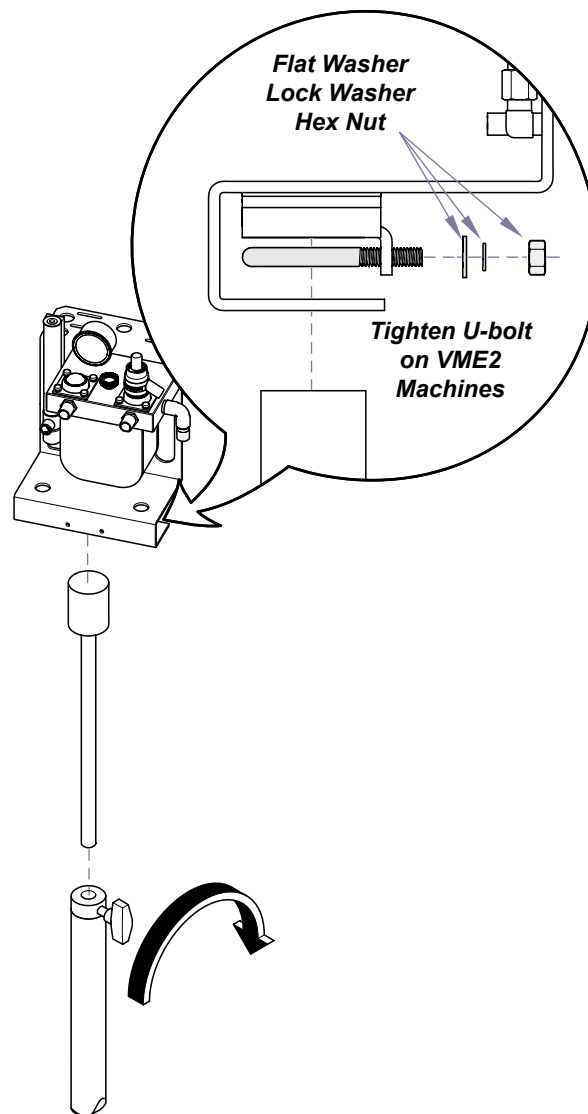
Equipment Alert

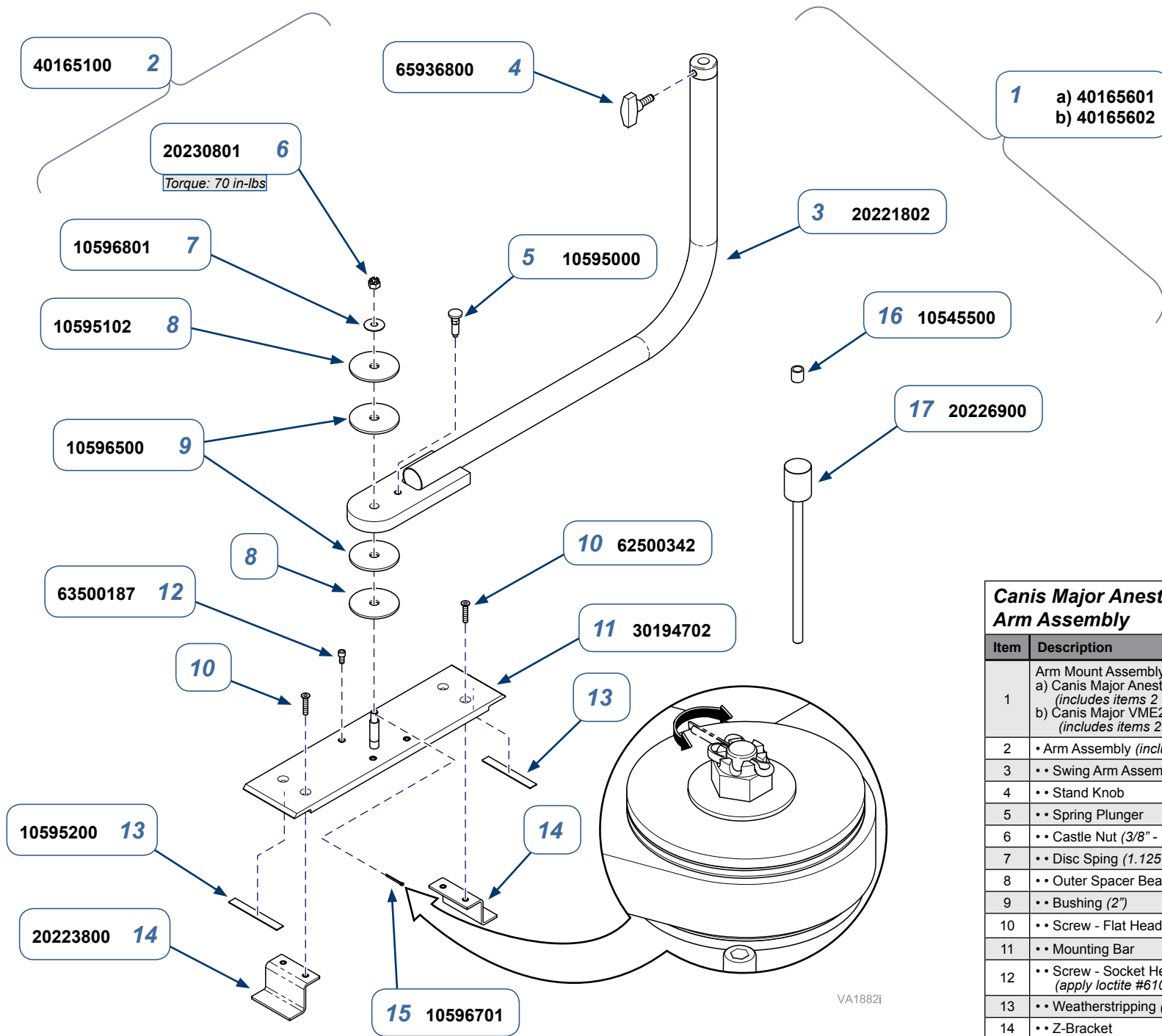
Ensure that arm is kept in the left-hand or right-hand position (not underneath tabletop). Anesthesia equipment must be clear of table top as it is raised or lowered.

Step 4: Slide anesthesia machine into mount. Tighten knob.

Kit # 40165602

Kit # 40165601





Canis Major Anesthesia Mount Arm Assembly

Item	Description	Qty.
1	Arm Mount Assembly a) Canis Major Anesthesia Mount (includes items 2 & 16) b) Canis Major VME2 Anesthesia Mount (includes items 2 & 17)	1
2	• Arm Assembly (includes items 3 thru 15)	1
3	•• Swing Arm Assembly	1
4	•• Stand Knob	1
5	•• Spring Plunger	1
6	•• Castle Nut (3/8" - 16)	1
7	•• Disc Spring (1.125 x 0.380 x 0.053")	1
8	•• Outer Spacer Bearing (2")	2
9	•• Bushing (2")	2
10	•• Screw - Flat Head (#1/4-20 x 1-1/4")	4
11	•• Mounting Bar	1
12	•• Screw - Socket Head (#1/4-20 x 1/4") (apply loctite #61004600 to thds)	4
13	•• Weatherstripping (1/16" x 1/2")	7.5"
14	•• Z-Bracket	2
15	•• Cotter Pin (3/32" x 1")	1
16	• LG. Post Spacer (3/4")	1
17	• VME2 Mount Assembly	1

Serial Numbers / Dates: