



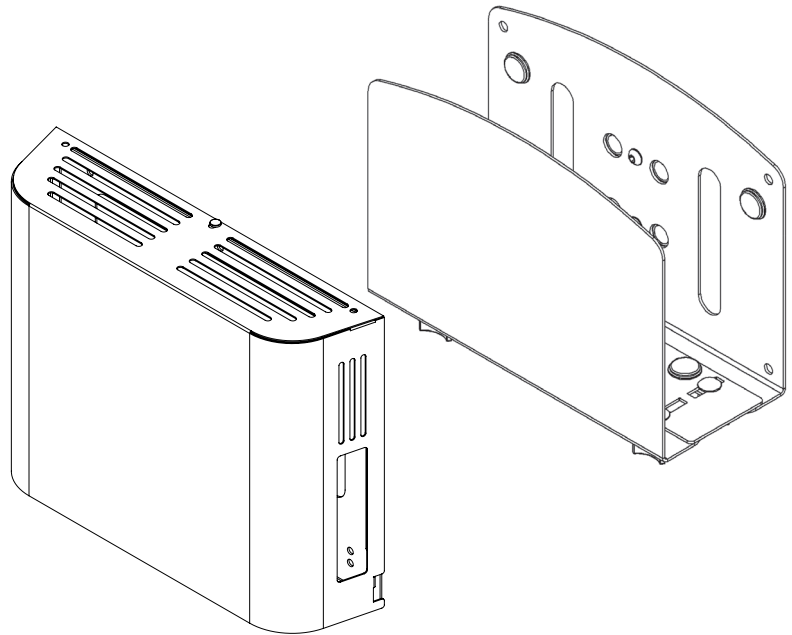
Healthcare is changing. Are you changing with it?

The optional MIDMARK® Adjustable CPU Holder & Tamper-Proof CPU Holder make for perfect track mount accessories that are installed directly to the workstation.

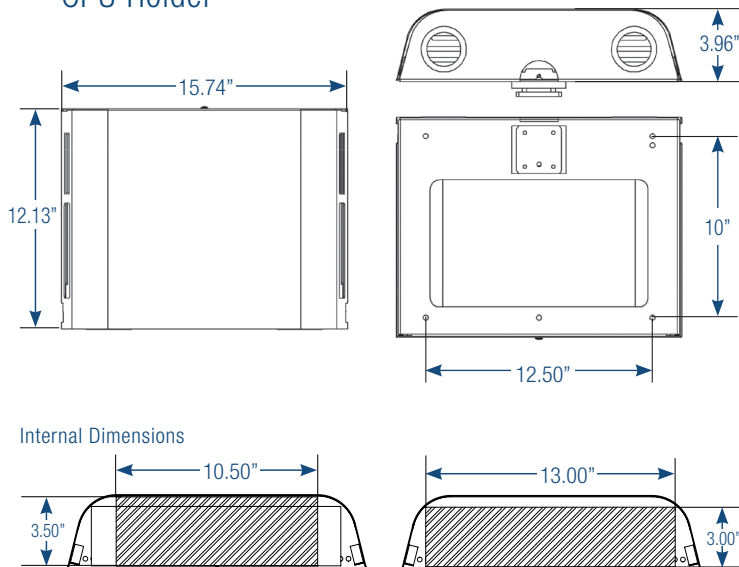
FEATURES & BENEFITS:

- 1. Intelligently Designed**
 - Optimal access and stability, ensures equipment remains secure
 - Adjustable, compatible with the majority of systems
- 2. Installs in minutes**
 - Ships assembled, minimal aftersale installation
 - Easily installed direct to wall track at any position
- 3. Built for Life**
 - Steel composition supports, increase stability and longevity

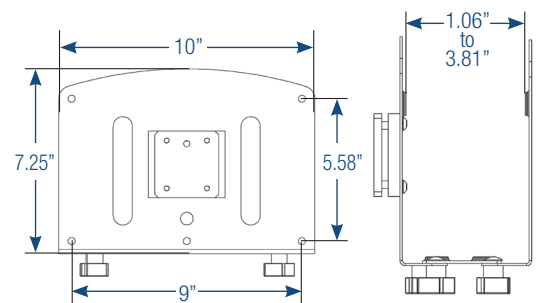
*Note: Track cover will need to be cut if accessory is installed on track



Tamper-Proof CPU Holder



Adjustable CPU Holder



Model	Description	Width Adjustment	Product Weight	Product Dimensions
9A590001	Tamper-Proof CPU Holder	N/A	14 lbs.	12.13" x 15.74"
9A589001	Adjustable CPU Holder	1.06-3.81"	7 lbs.	7.25" x 10"