

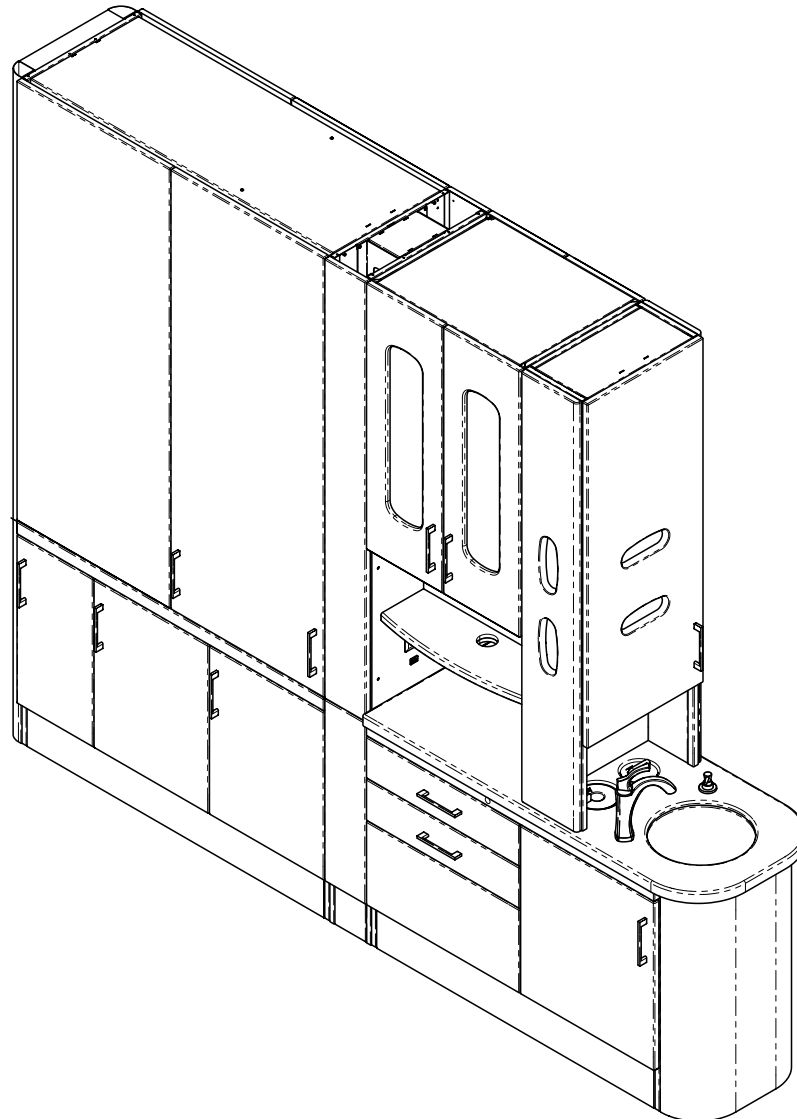


Synthesis® Casework - Central Station Setup Instructions

Applies to Models:
Dental CS Casework

Special Tools:
*3/8" masonry drill bit
9/32" wood drill bit
Hammer drill*

Language of origin: English



DA5048i

UNIT IDENTIFICATION

Equipment Upper

Can be configured with bi-fold doors, pass through storage, open storage, etc.

Center Column

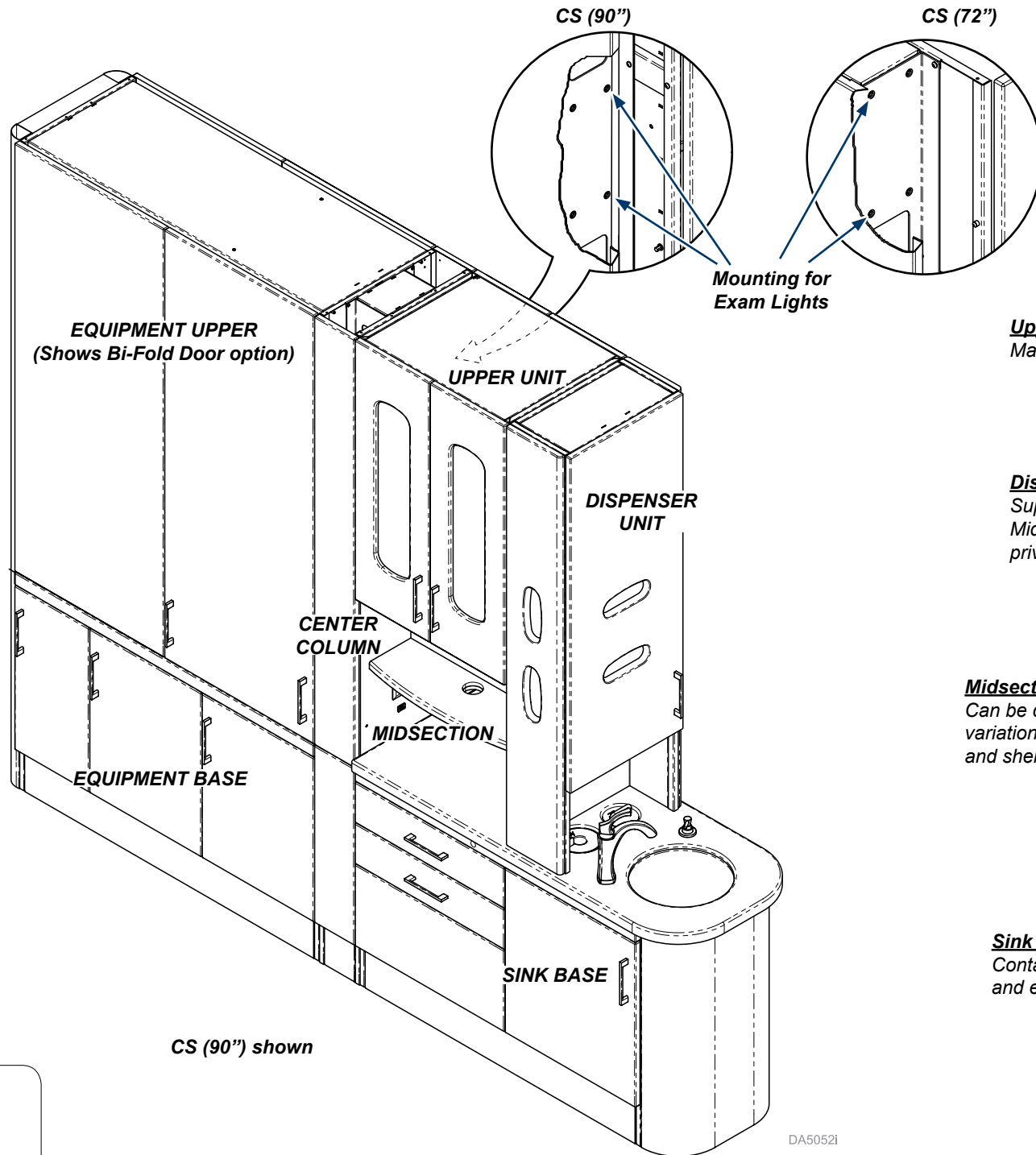
Contains electrical outlets.
Lights can be mounted to it.

Equipment Base

Must be installed and leveled with
Center Column and Sink Base.

Note

The Center Station can contain various configurations of the different units.



Upper Unit

May contain Task Lights.

Dispenser Unit

Supports Upper Unit and
Midsection shelving and
privacy panels.

Midsection

Can be configured in different
variations with privacy panel,
and shelving.

Sink Base

Contains various plumbing
and electrical connections.

DA5052i

Model Number

Midmark uses a product part number for the cabinets that has a detailed structure.

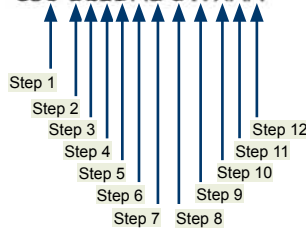
Product Information

Central Station- CS

Step 1: Size		6	109.5" L x 90" H
Step 2: Sink Base Configuration		B	[Side A] (2) 2" Drawers, 17" False Front [Side B] 5" False Front, (2) 2", (2) 4" Drawers
Step 3: Dispenser Configuration		L	90"/ 95" Height- Door w/ No Dispenser, (2) Side Dispensers (A & B), (1) Shelf
Step 4: Midsection Configuration		E	Privacy Panel w/ (2) Half Solid Surface Shelves
Step 5: Upper Unit Configuration		D	'90"/ 95" Height- Window Doors, (2) Shelves
Step 6: Equipment Base Configuration		A	EB1: Solid Doors EB2: Solid Doors EB3: Solid Doors (6) Shelves
Step 7: Equipment Upper Configuration		E	90"/ 95" Height- Bi-Fold Doors w/ Upper Storage, (3) Shelves
Step 8: Panel Style		S	Serenity
Step 9: Cabinetry Color		W	Woodgrain
Step 10: Locking Options		X	None
Step 11: Handle Options- Select "None" for Cove and Renew Panels		A	Brushed Nickel
Step 12: Countertop Material and Sink Configuration		A	Solid Surface w/ Integrated Stainless Steel Sink, Faucet, Soap Dispenser & Waste Drop

Example

CS6-BLEDAE-SWXAA



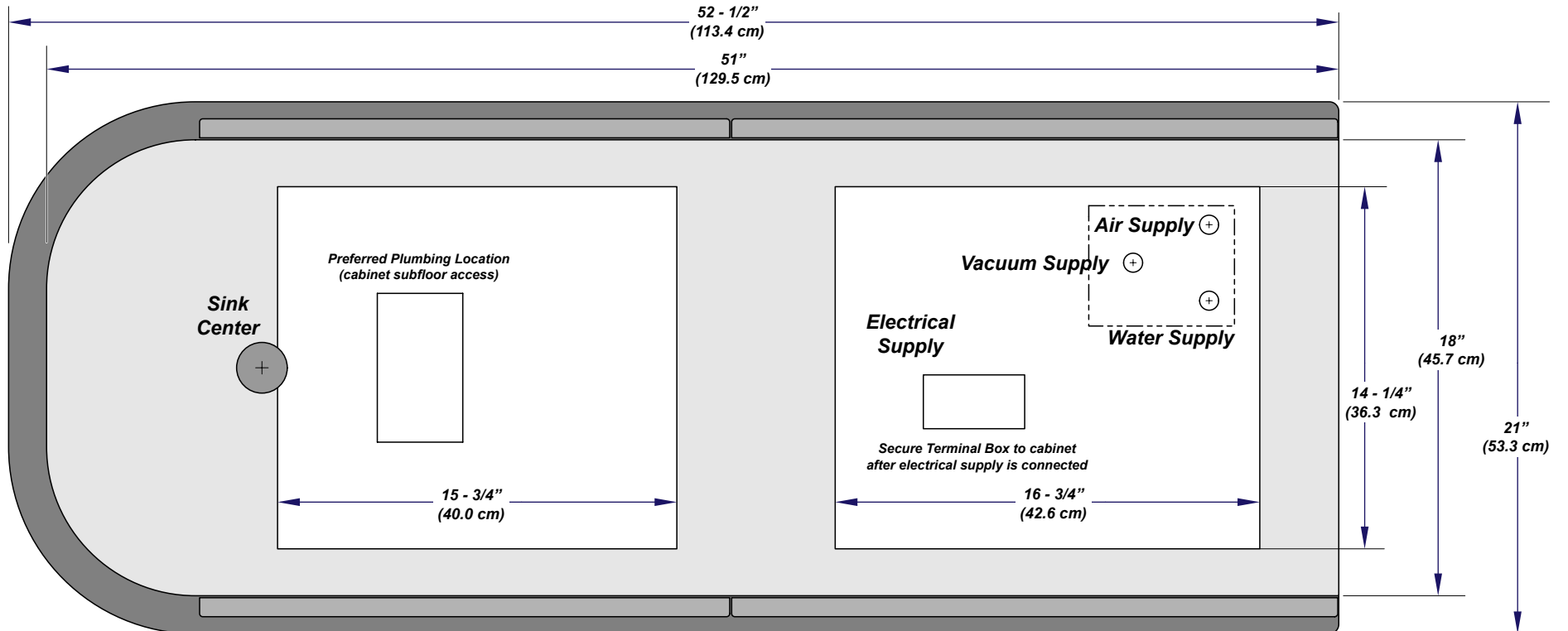
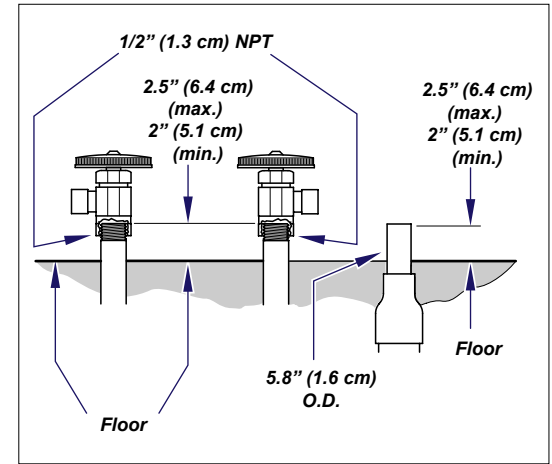
Floor Layout (as applicable)

Have licensed electrical and plumbing contractors position and install electrical outlet receptacles and related plumbing using the pre-installation template or layout.

Note: Be sure floor construction is sufficient to adequately support / anchor the casework unit. If necessary, contact a licensed contractor to reinforce the floor.

Note

Full size Floor Template is available upon request, or refer to rough-in dimensions on next page.

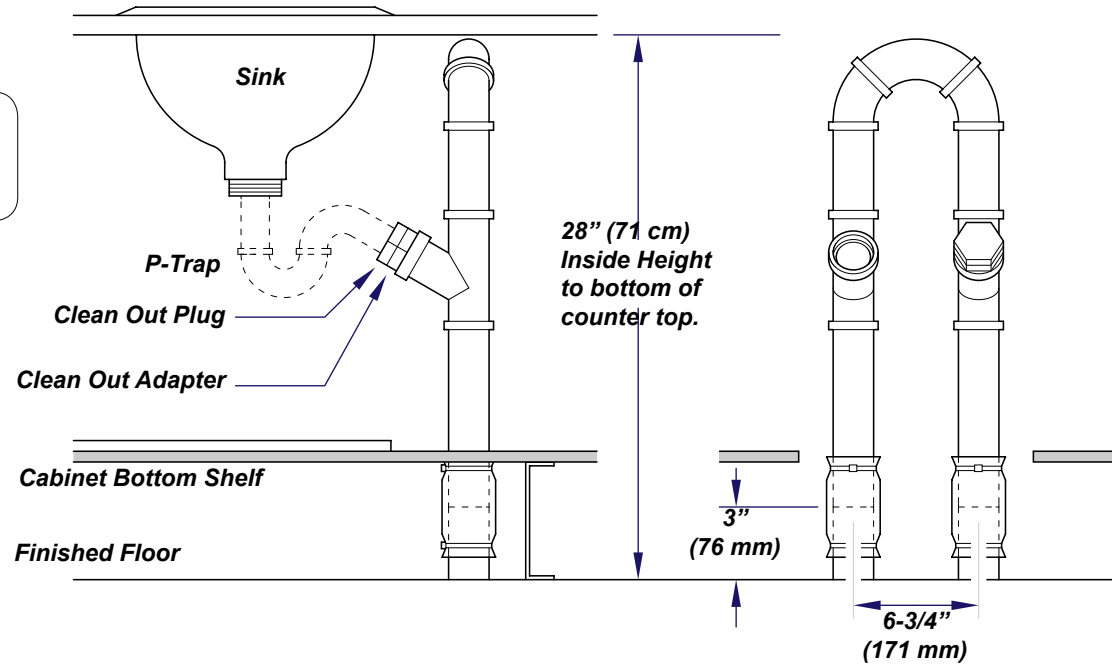


DA5053i

PLUMBING SPECIFICATIONS

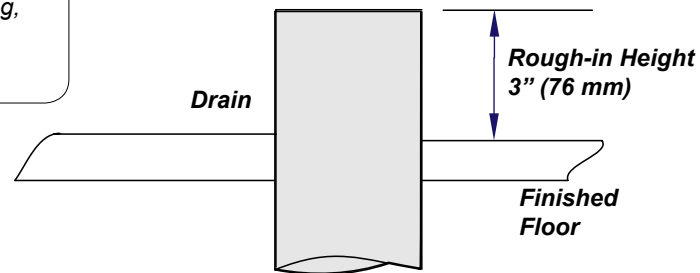
Note

All plumbing must be installed by a licensed plumber following the applicable local, city, and national codes.

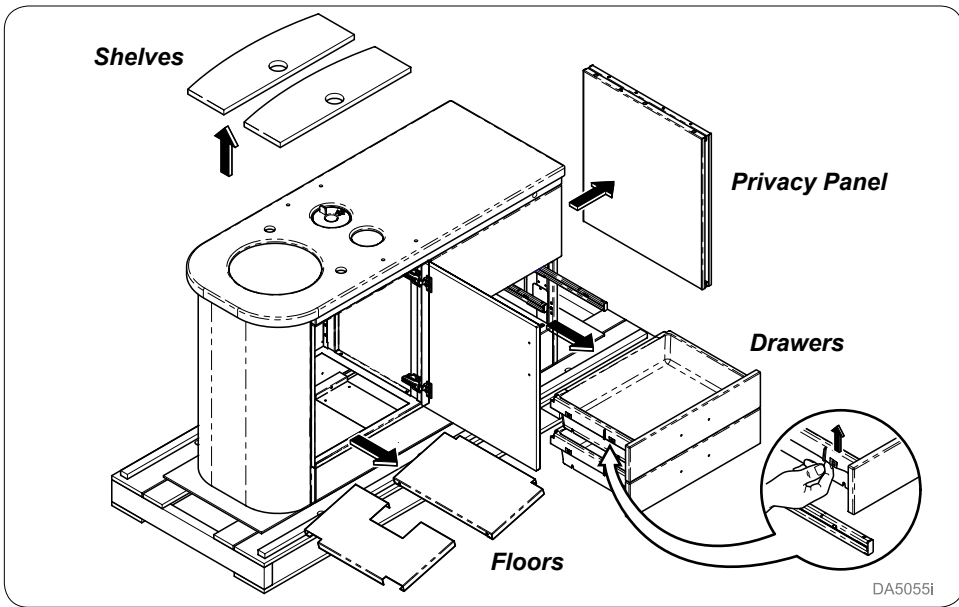


Note

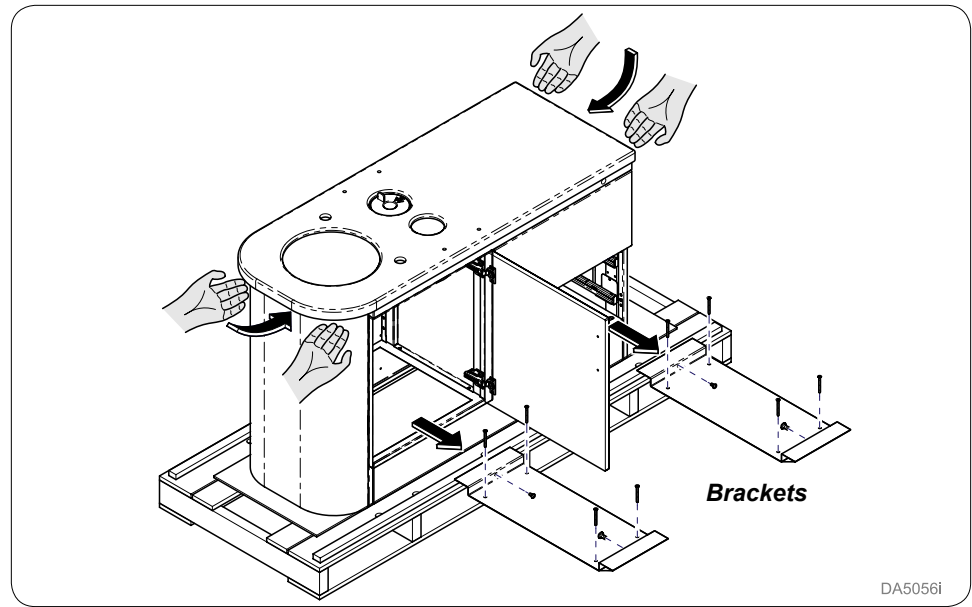
Conduit size (diameter) is dependent on size of wiring, and / or tubing that will be routed through it. It may also be specified by related codes.



DA5054i

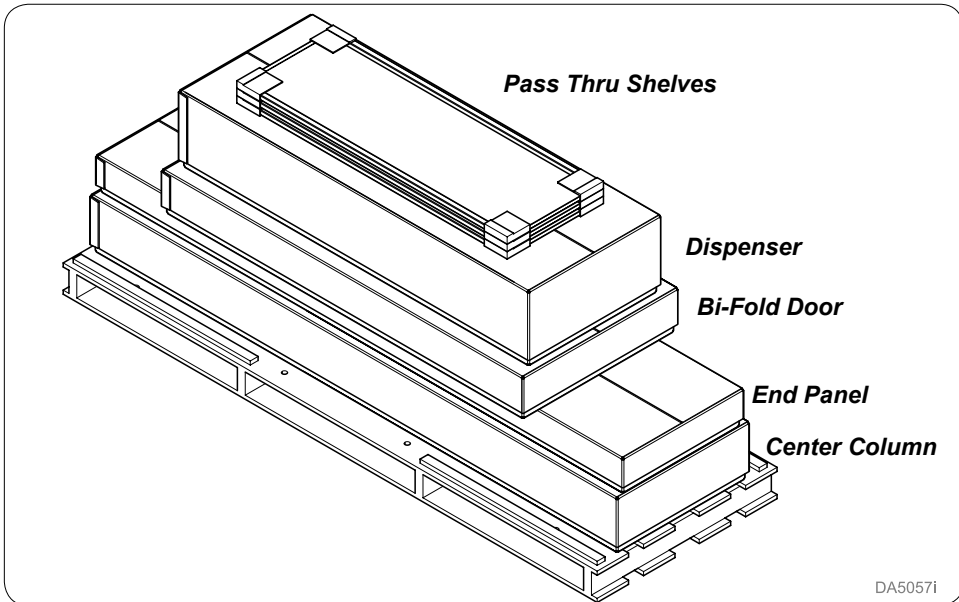


Step 1:
Remove shelves, floor and drawers from cabinet. Remove privacy panel from skid.



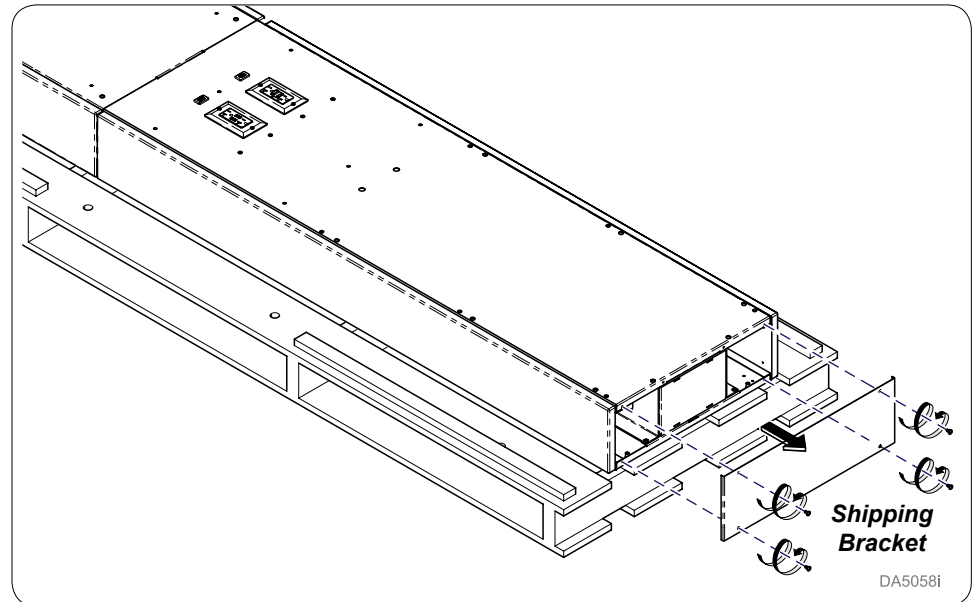
Step 2:
Remove brackets from base of sink base to remove from skid.

Note: Midmark recommends multiple installers to lift.

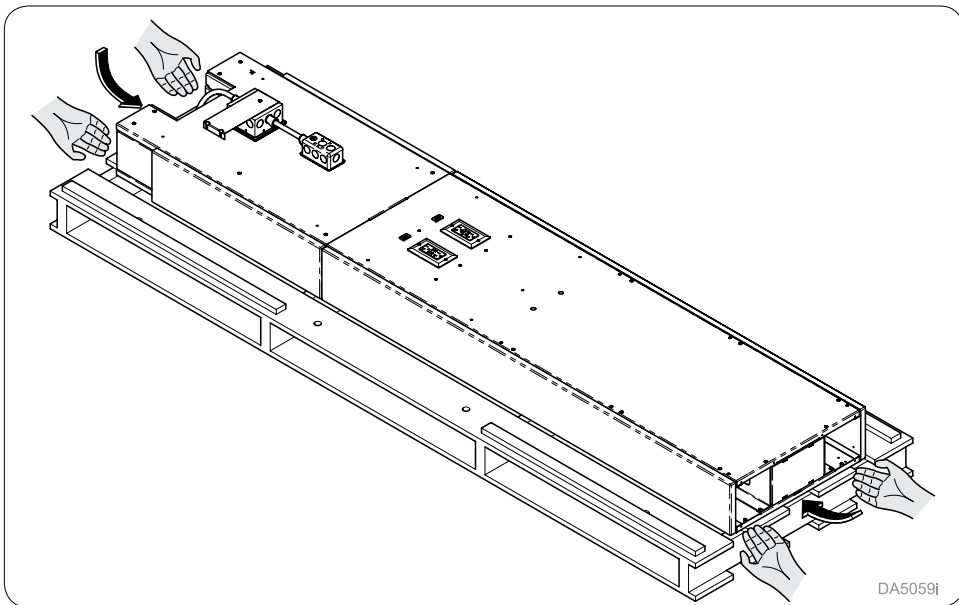


Step 3:
Remove components from skid.

Note: Components may vary from order to order.

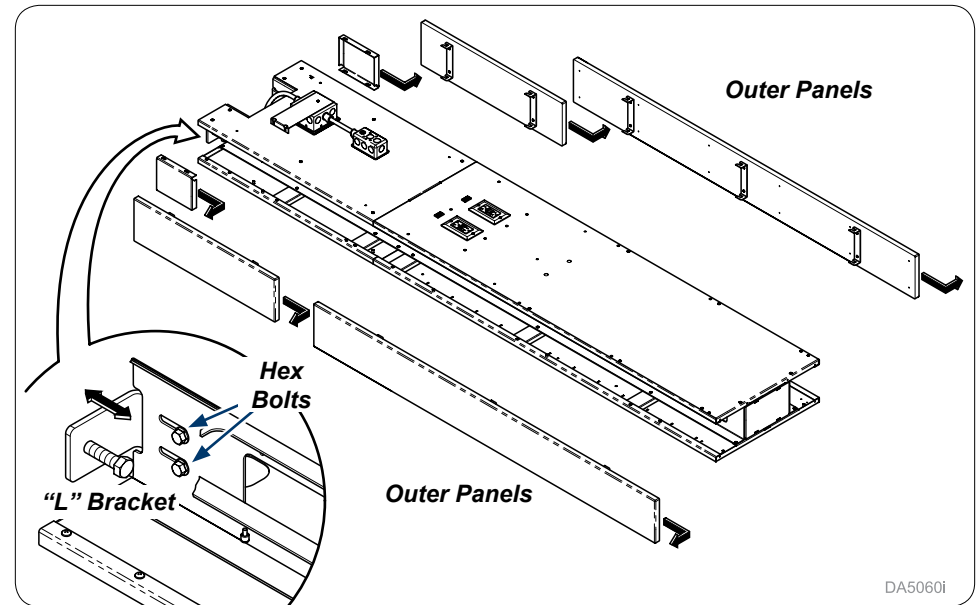


Step 4:
Remove screws (4) from shipping bracket and discard.

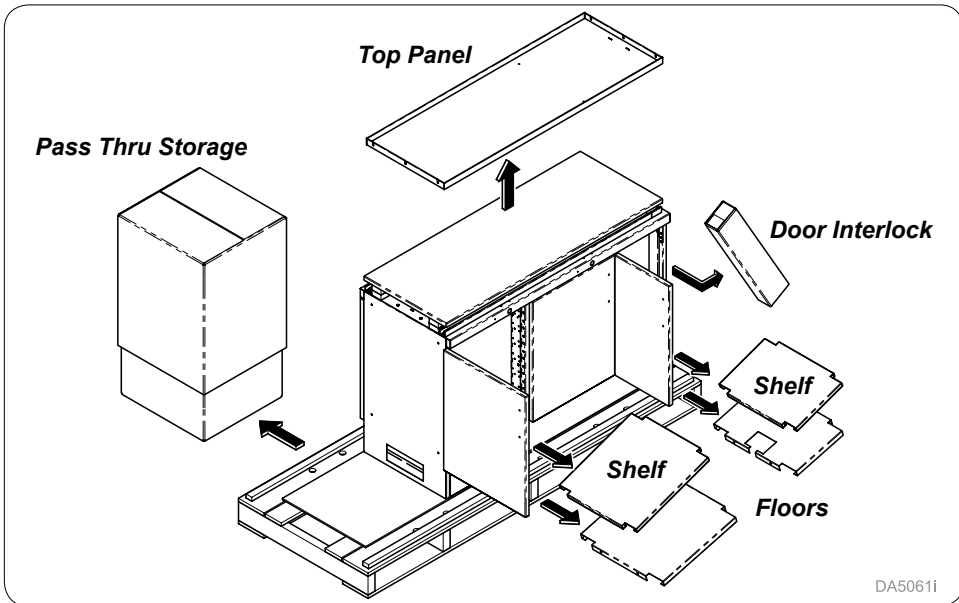


Step 5:
Remove center column from skid.

Note: Midmark recommends multiple installers to lift.



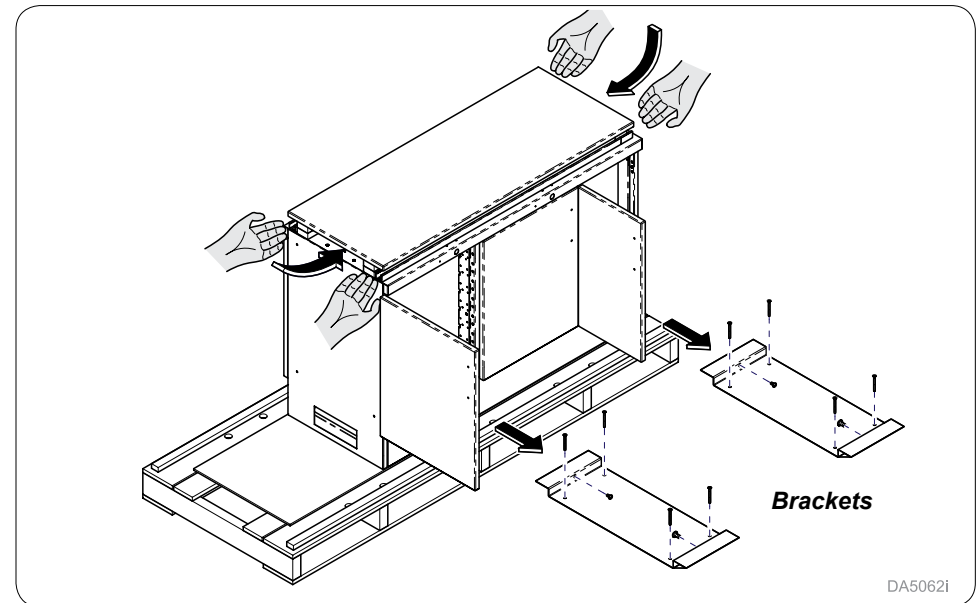
Step 6:
Remove outer panels from center column as shown. Loosen hex bolts to allow "L" bracket on both sides of column to float.



Step 7:
Remove cabinet shelves, floors and interlock from inside cabinet. Remove pass thru storage and top panel from skid.

Note: Components may vary from order to order.

© 2017 Midmark Corp. | 60 Vista Drive Versailles, OH 45380 USA | 1-800-643-6275 | 1-937-526-3662 |

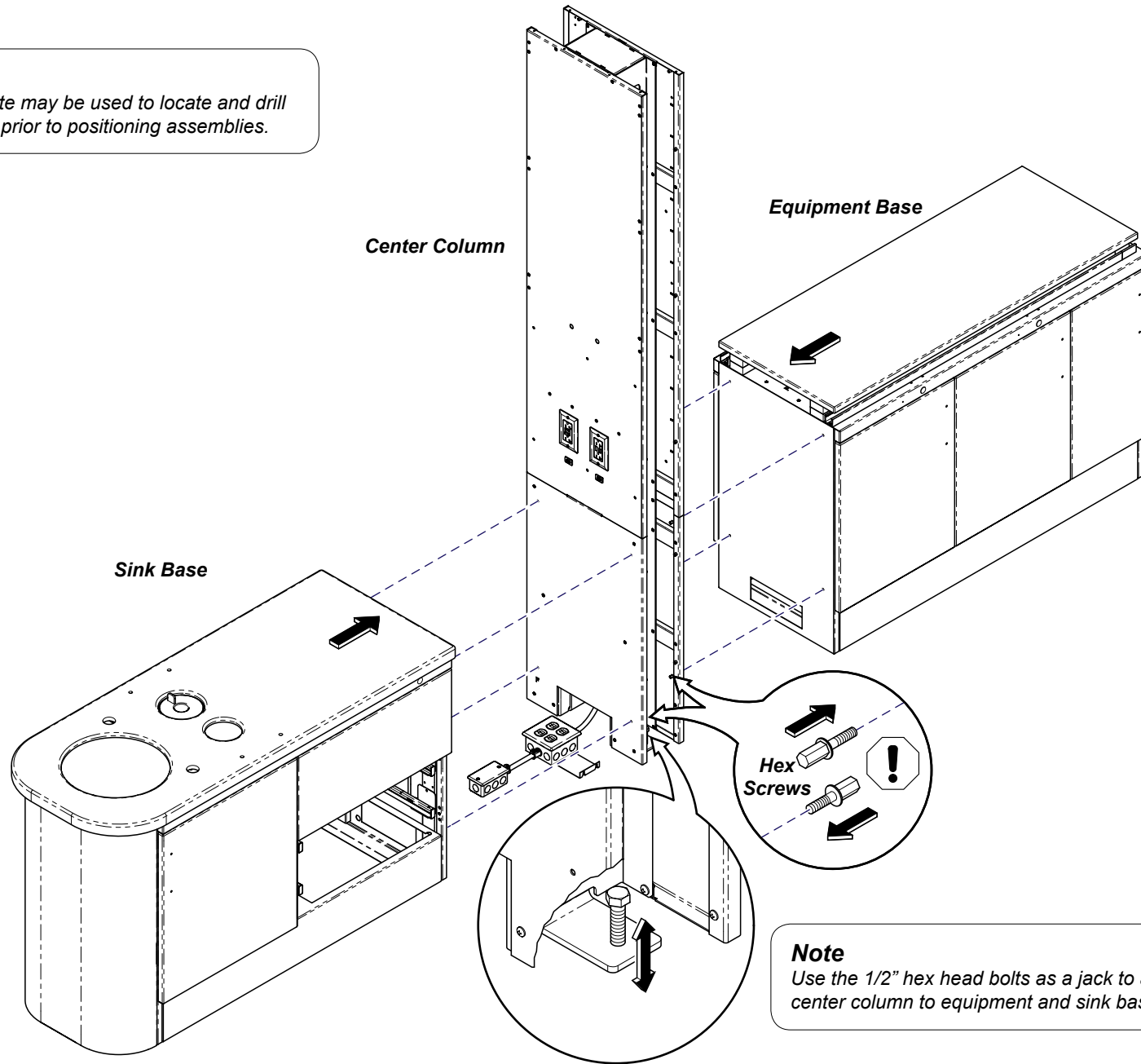


Step 8:
Remove brackets from inside equipment base before removing from skid.

Note: Midmark recommends multiple installers to lift.

Note

Full size template may be used to locate and drill mounting holes prior to positioning assemblies.



Note

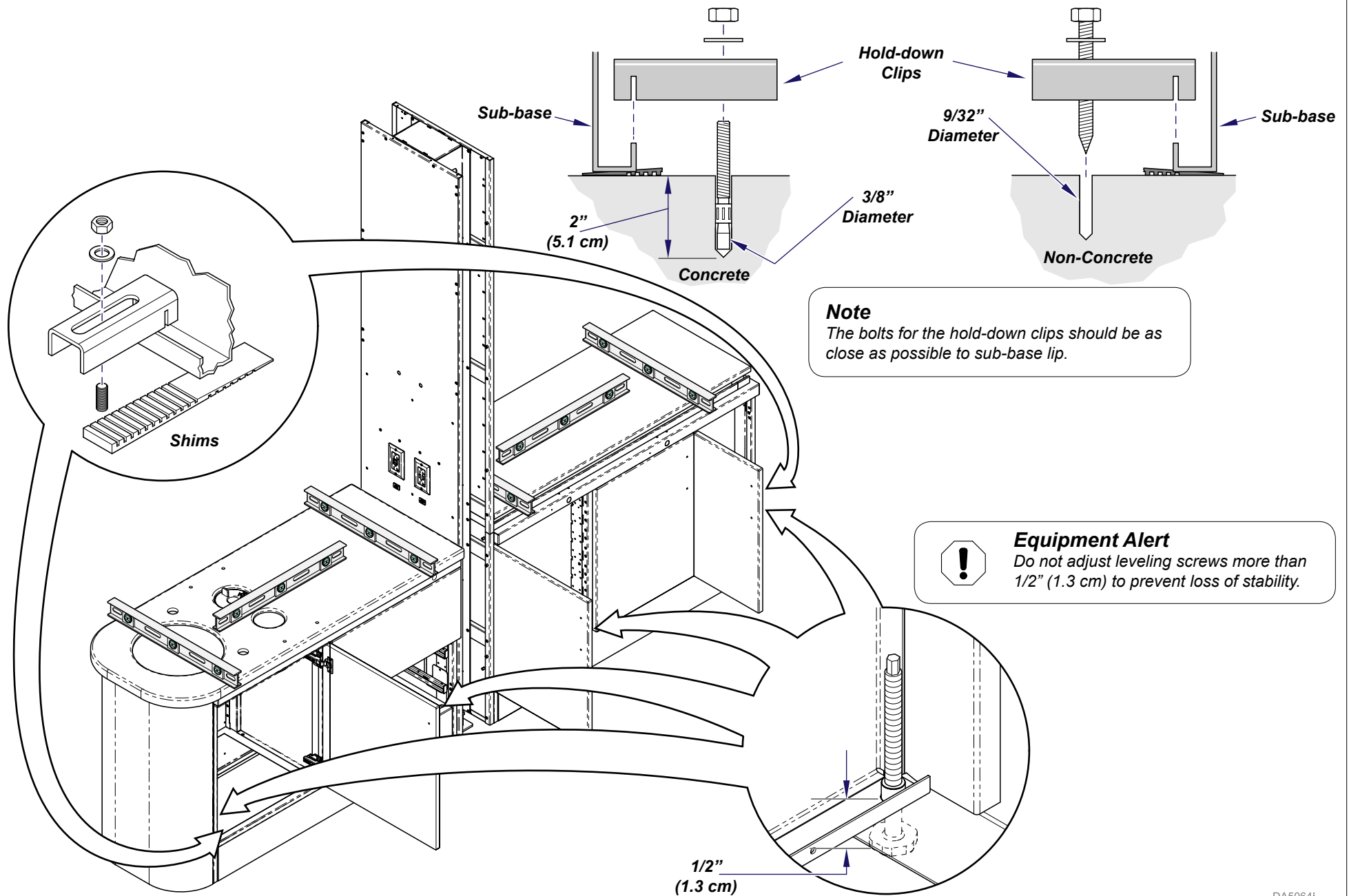
Use the 1/2" hex head bolts as a jack to align center column to equipment and sink base.

DA5063i

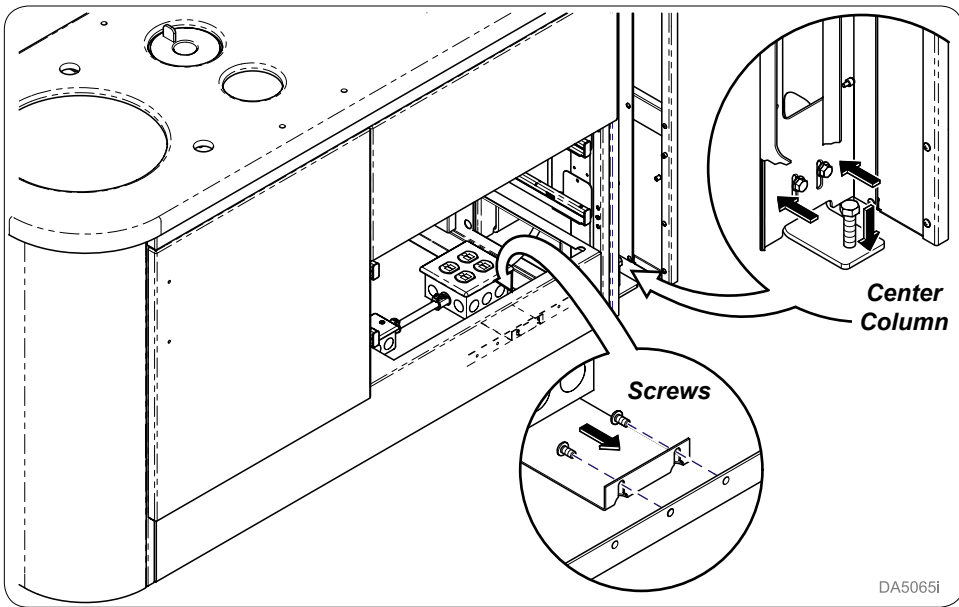
Step 9:

Move center column, sink base and base equipment base into position. Secure together with hex screws (8) as shown.

⚠ : Do not over-tighten special hex head bolts. Torque to 50-55 inch / lbs maximum.

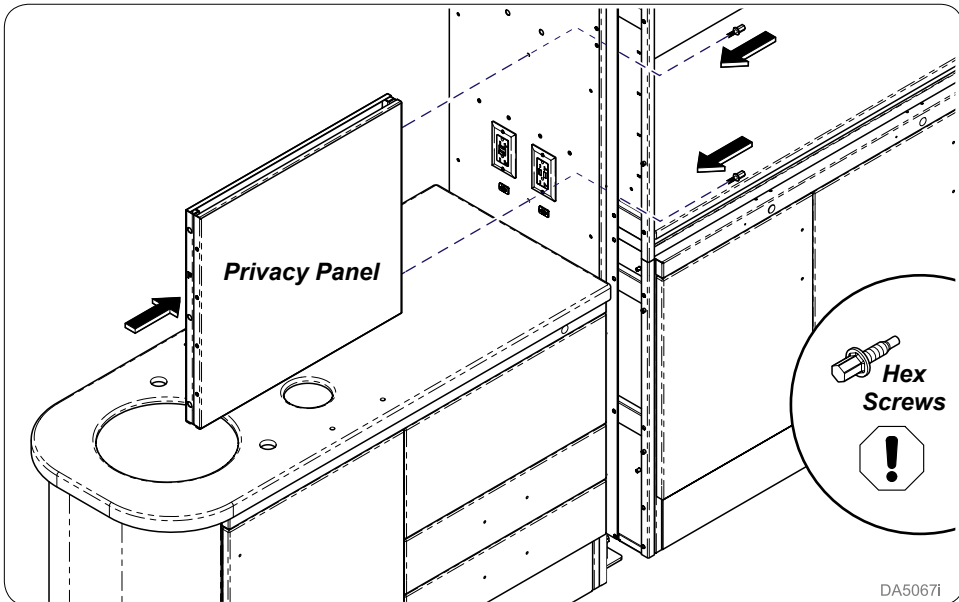


Step 10:
 Level units with leveling screws and shims as needed.
 Secure to floor with correct holding clips supplied with unit.



Step 11:
Secure electrical box to the inside of the cabinet base with provided screws (2). Tighten bolts in center column to stabilize unit.

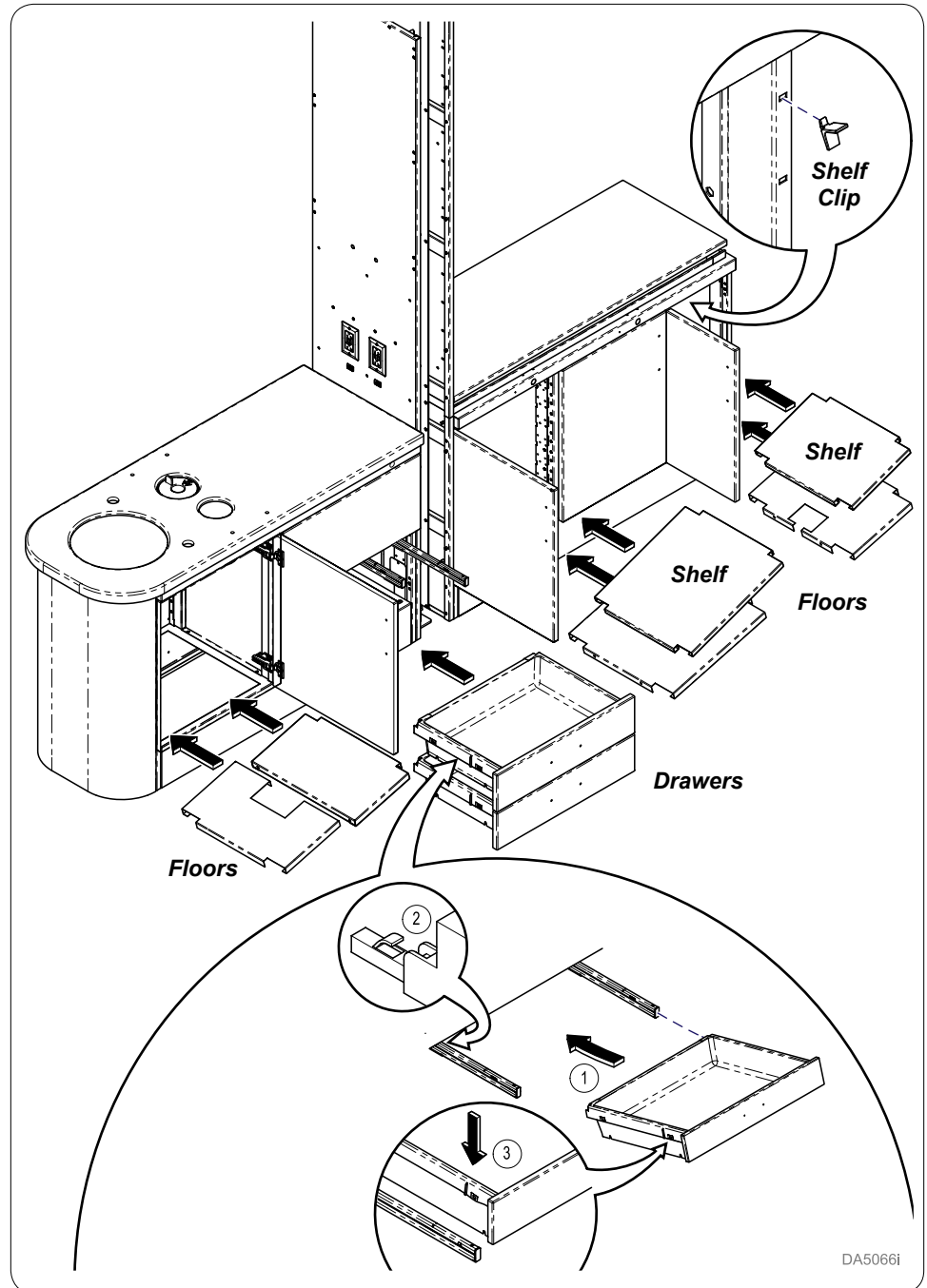
DA5065i



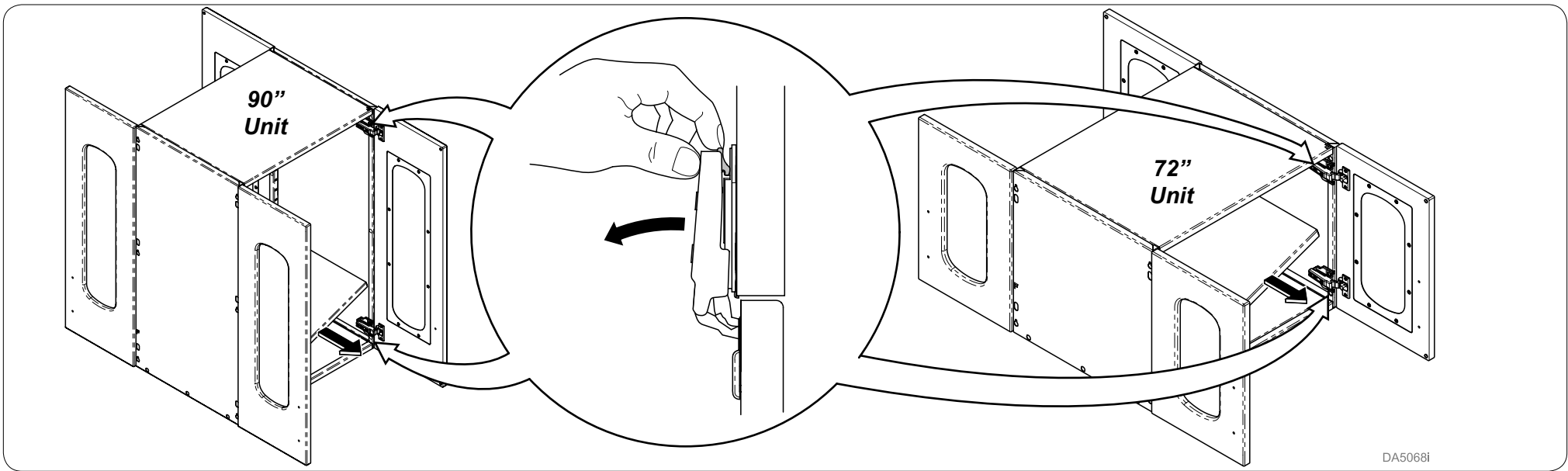
Step 13:
Secure privacy panel to center column with hex screws (2).
⚠ : Do not over-tighten special hex head bolts. Torque to 50-55 inch / lbs maximum.

DA5067i

Step 12:
Install components into sink base and equipment base as shown.

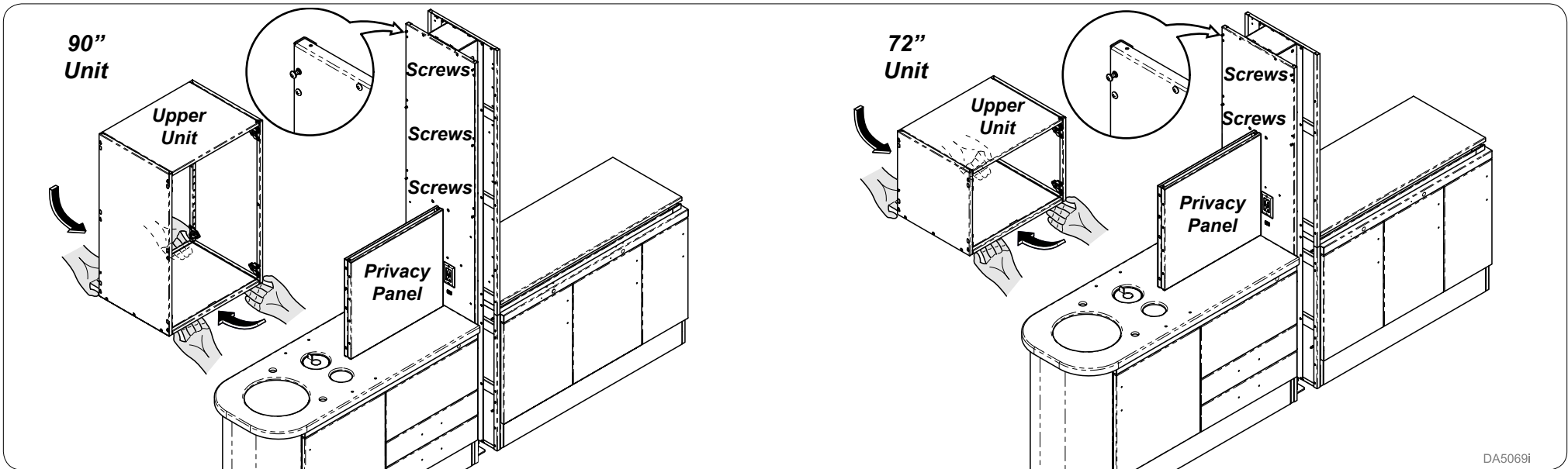


DA5066i



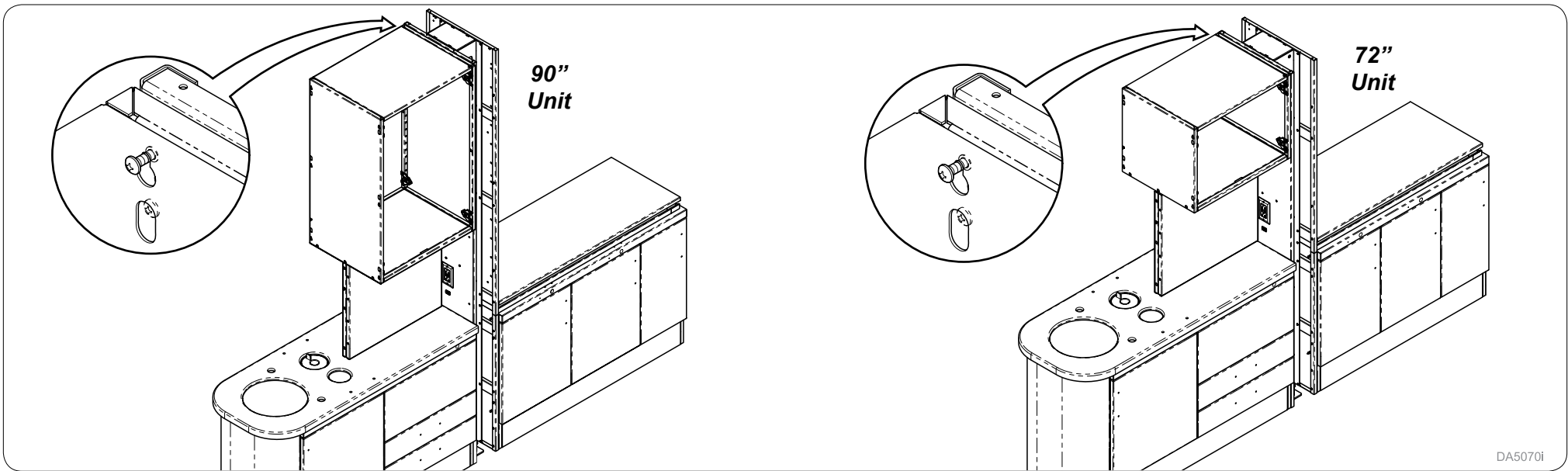
DA5068i

Step 14:
Remove doors (4) and shelf(s) from upper unit.



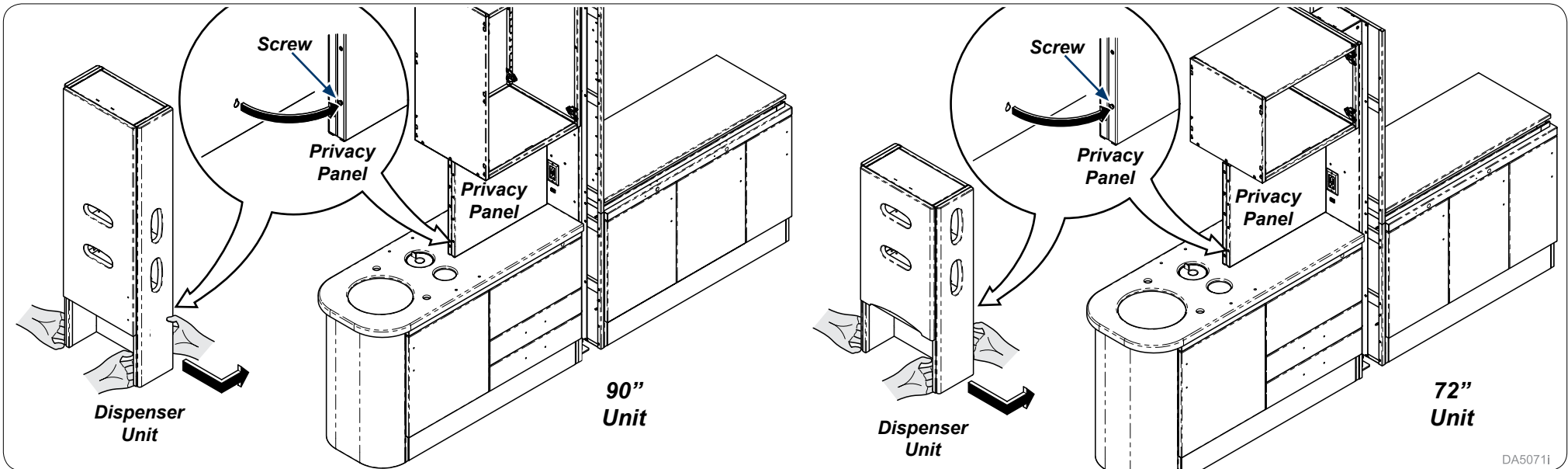
DA5069i

Step 15:
Loosely install mounting screws [(6 - 90") (4 - 72")] into mounting holes. Using privacy panel to position upper unit onto screws.



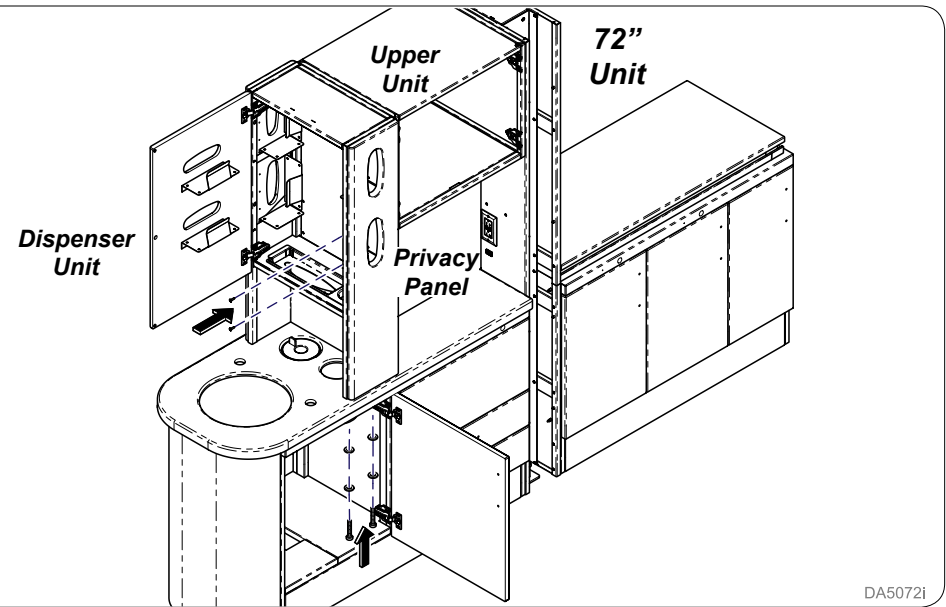
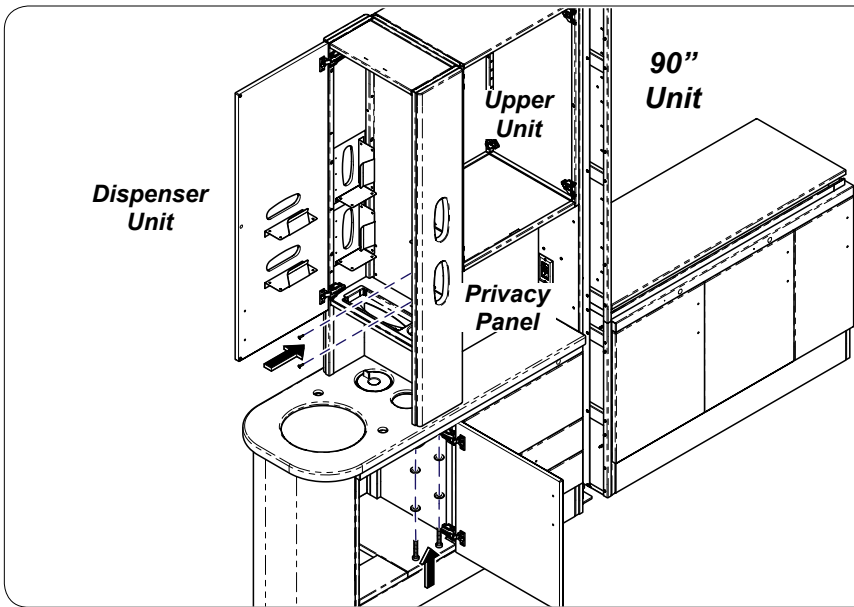
DA5070i

Step 16:
Secure upper unit to center column by tightening screws.



DA5071i

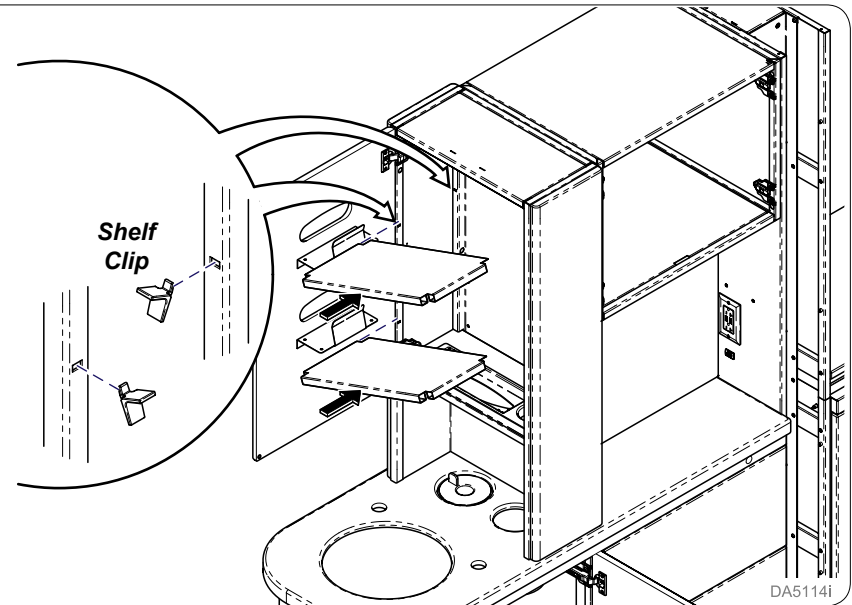
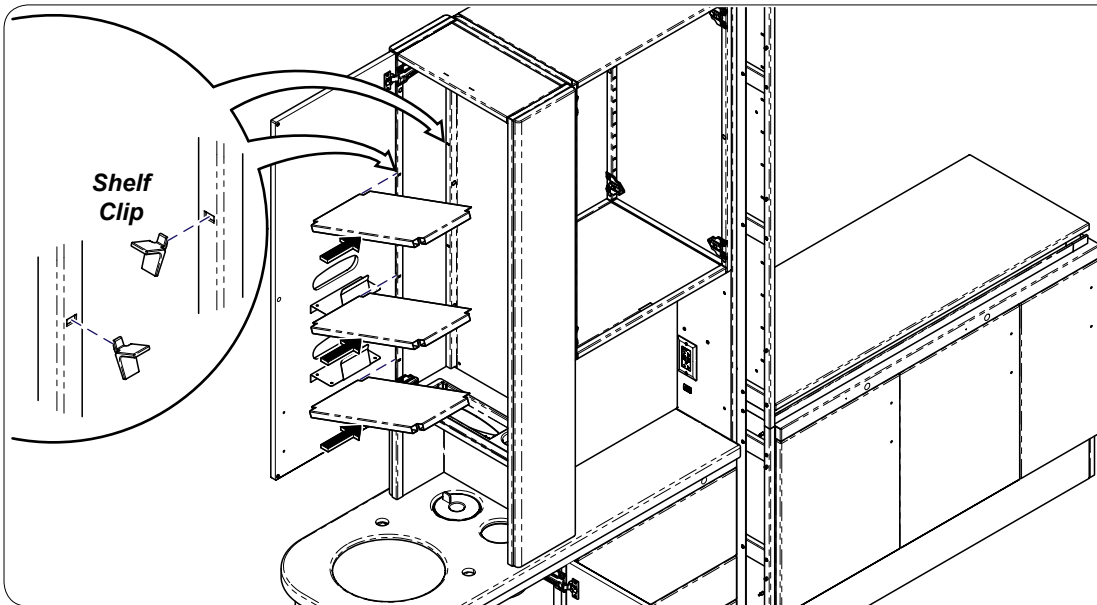
Step 17:
Install screw in lower part of privacy panel. Start screws in dispenser unit [(6 - 90") (4 - 72")].



DA5072i

Step 18:

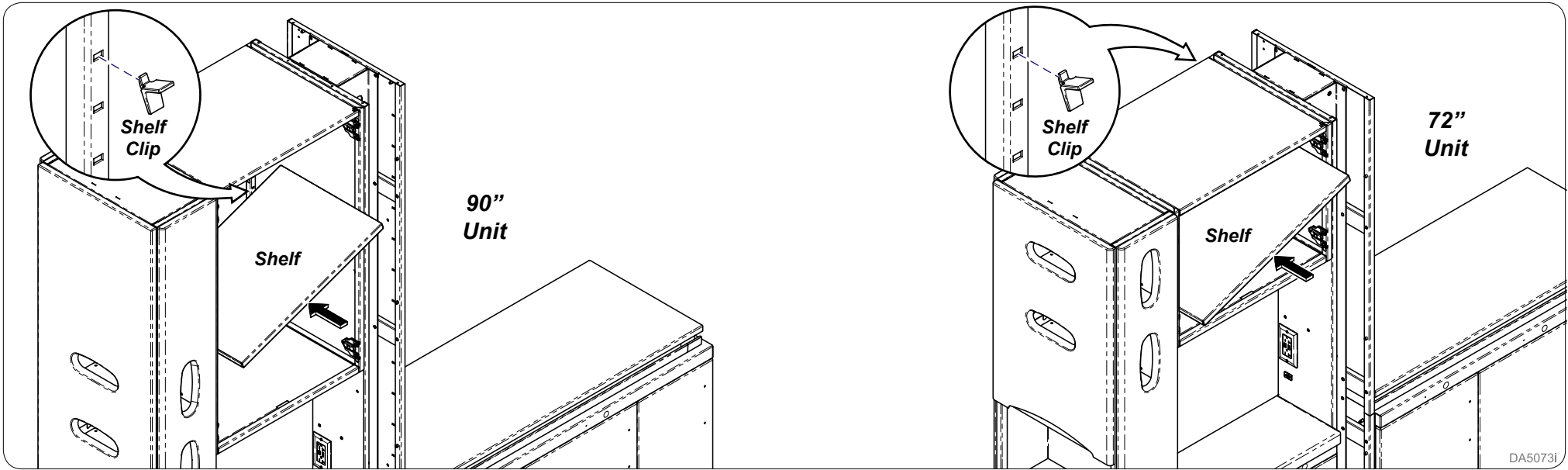
Tighten screws to secure dispenser to upper unit. Secure dispenser to privacy panel using screws (2). Secure dispenser unit to sink base with 1/4" - 20 x 2 1/4" Bolts (4) with lockwashers (4) and flatwashers (4).



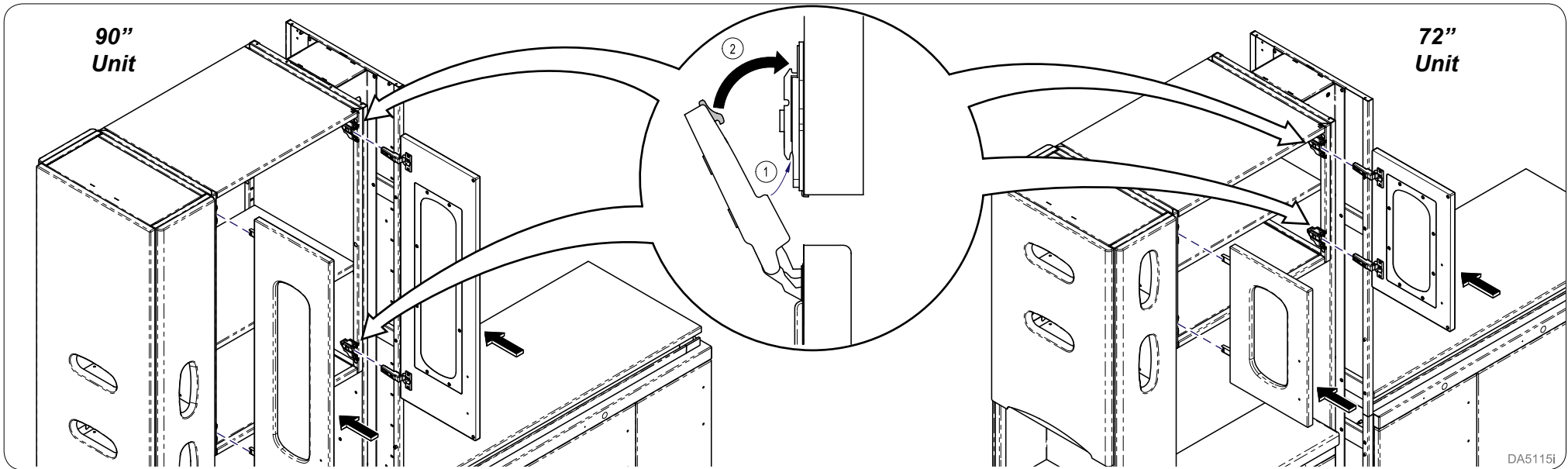
DA5114i

Step 19: 90" (If applicable)

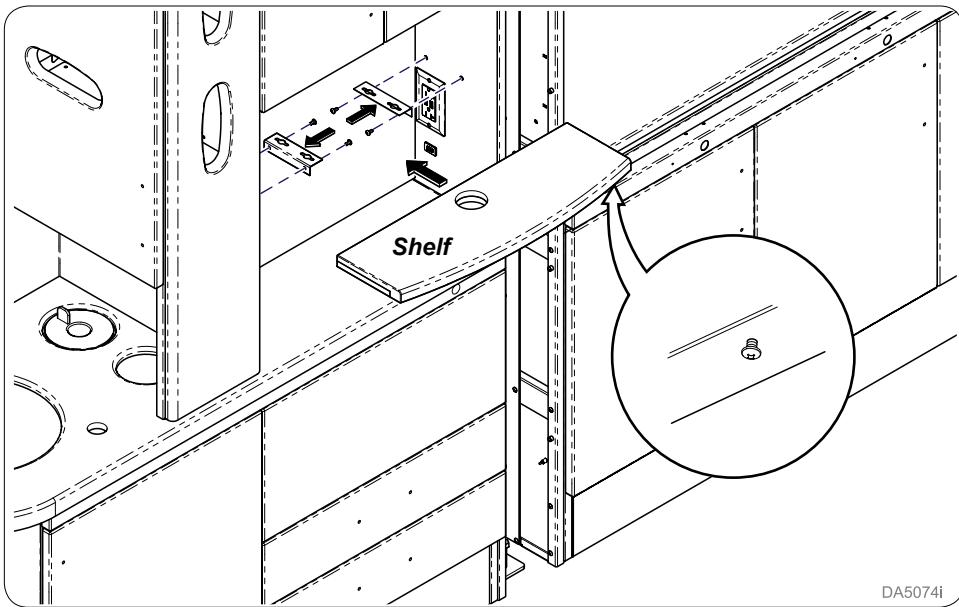
Install shelf(s) into dispenser unit with shelf clips (4) per shelf.



Step 20:
Install shelf(s) into upper unit with shelf clips (4) per shelf.

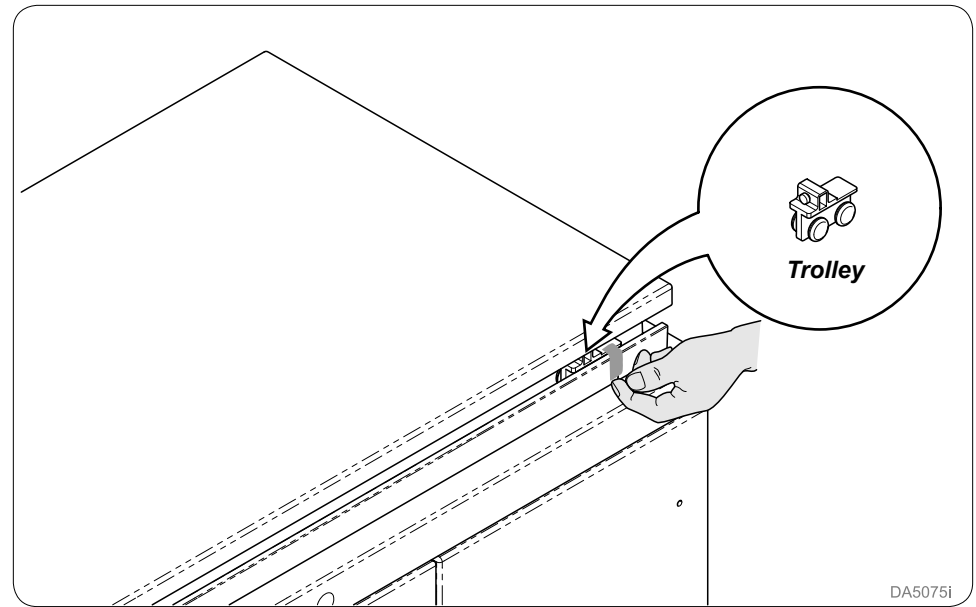


Step 21:
Reattach doors(4) to upper unit.



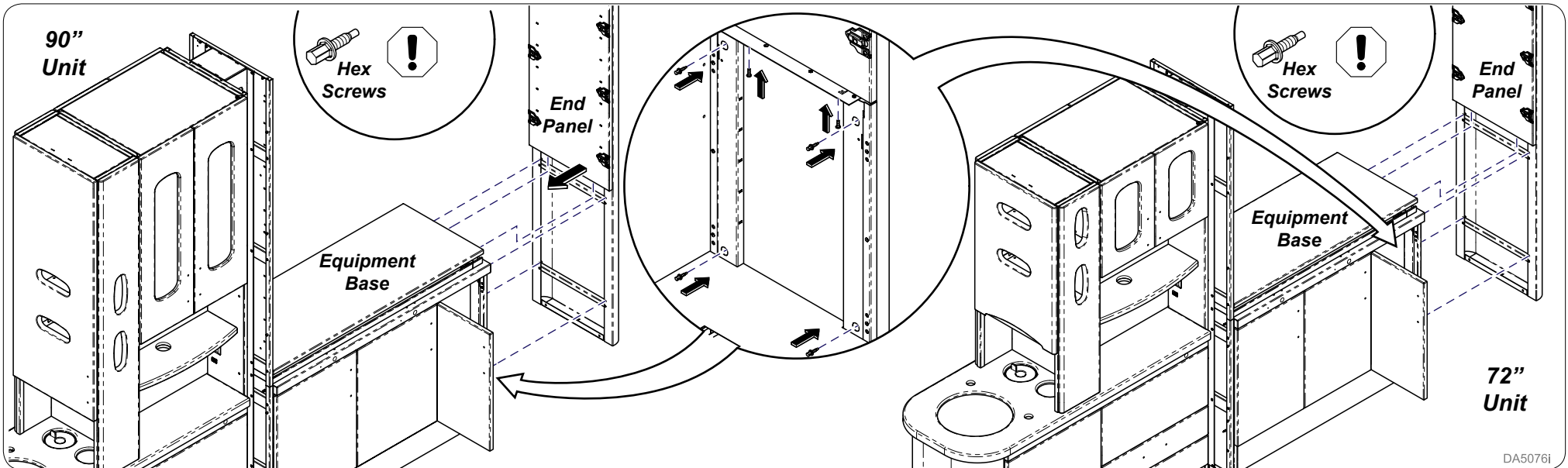
DA5074i

Step 22:
Loosely install screws (4) into the bottom of shelf. Secure brackets (2) onto center column and dispenser unit with screws (2 per bracket). Place shelf onto brackets and secure. Repeat for other side of unit.



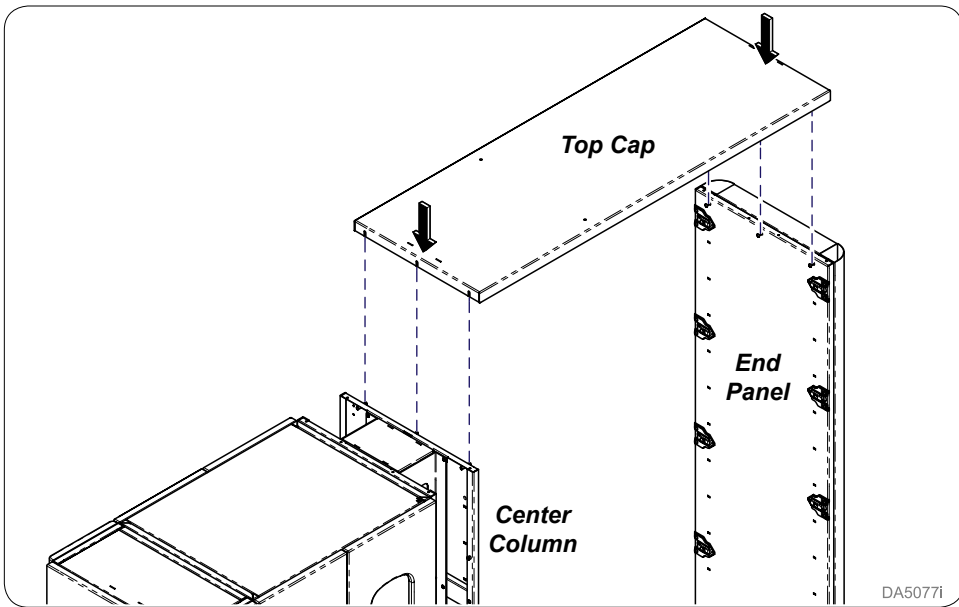
DA5075i

Step 23:
Remove tape from trolley and rail making sure to keep trolley in rail.



DA5076i

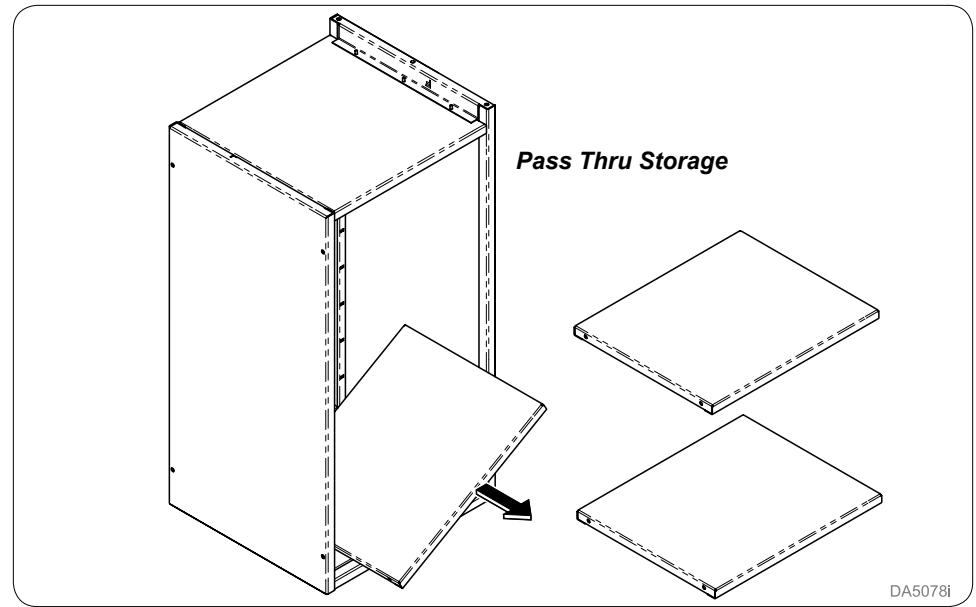
Step 24:
Secure end panel to equipment base with hex screws (4) and screws (2) through equipment base top.
⚠ : Do not over-tighten special hex head bolts. Torque to 50-55 inch / lbs maximum.



Step 25: 90" - ONLY

Loosely install screws (6) into end panel and center column and place top cap. Secure by tightening screws.

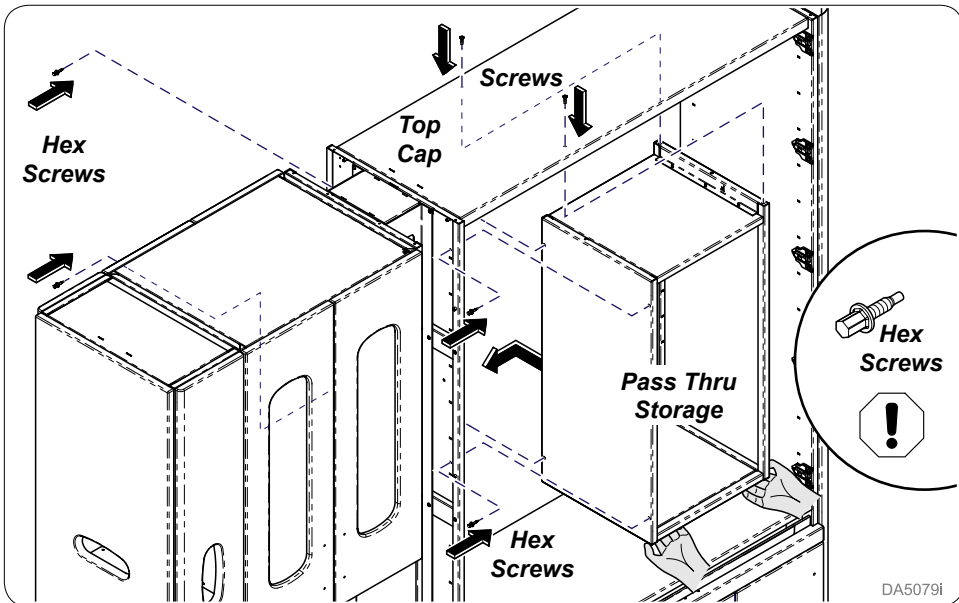
DA5077i



Step 26: 90" - ONLY

Remove shelves from pass thru storage.

DA5078i

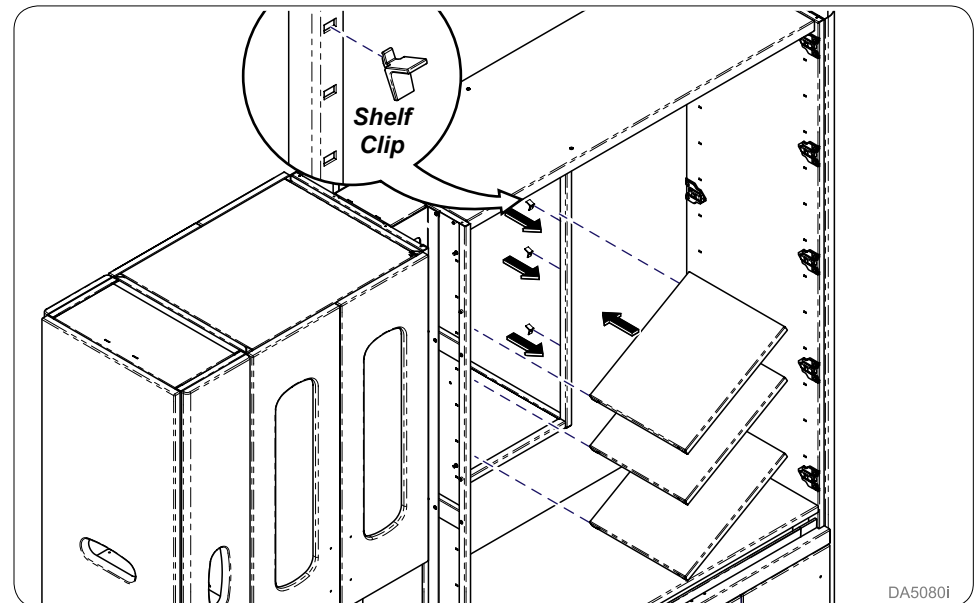


Step 27: 90" - ONLY

Secure pass thru storage to center column with hex screws (4) and screws (2) through top cap.

⚠ : Do not over-tighten special hex head bolts. Torque to 50-55 inch / lbs maximum.

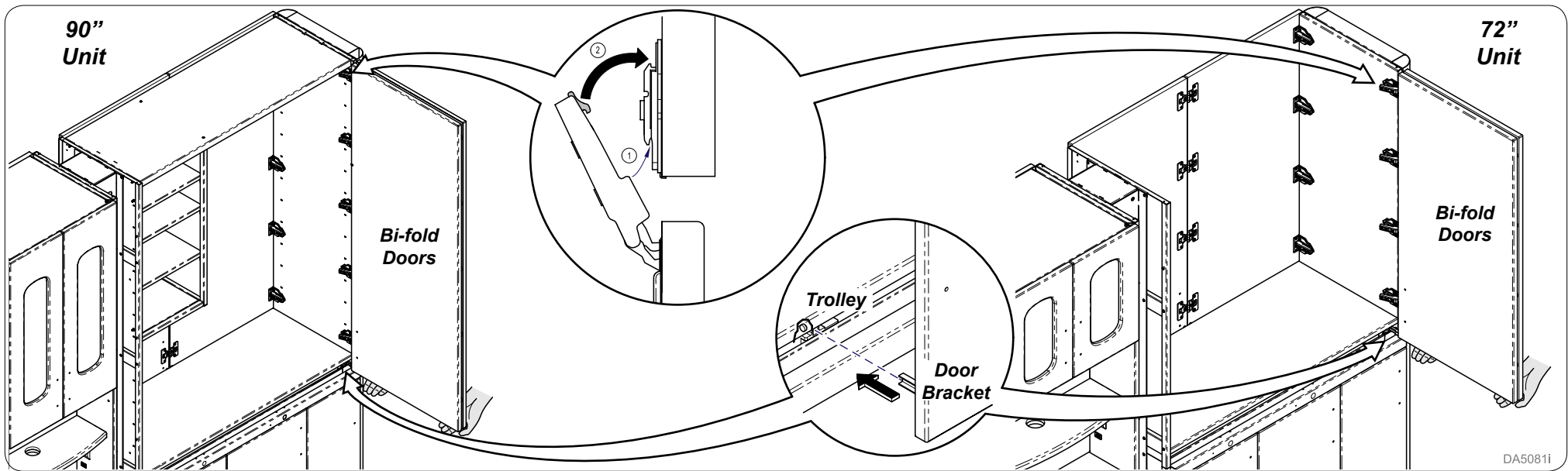
DA5079i



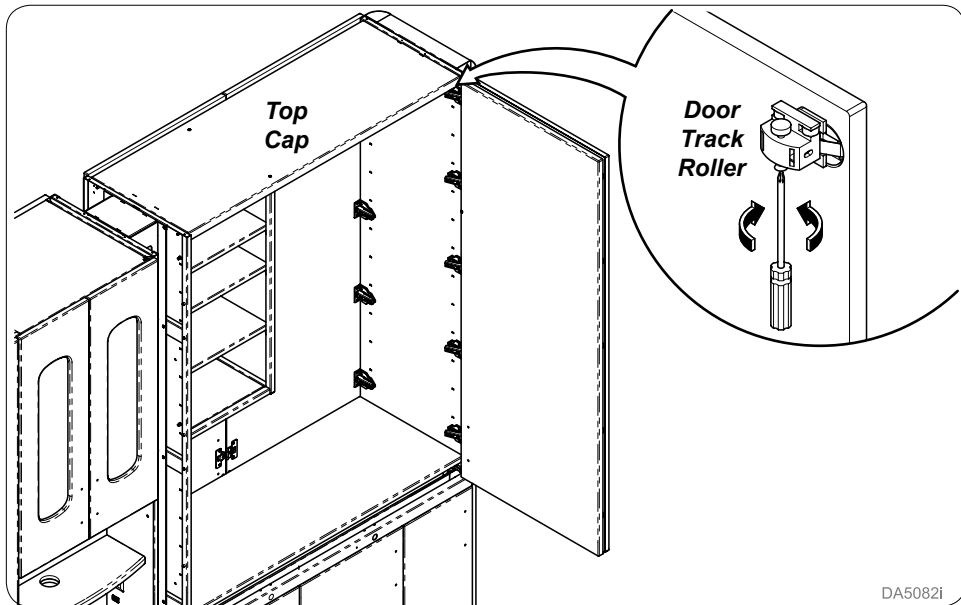
Step 28: 90" - ONLY

Install shelf(s) into pass thru storage with shelf clips (4) per shelf.

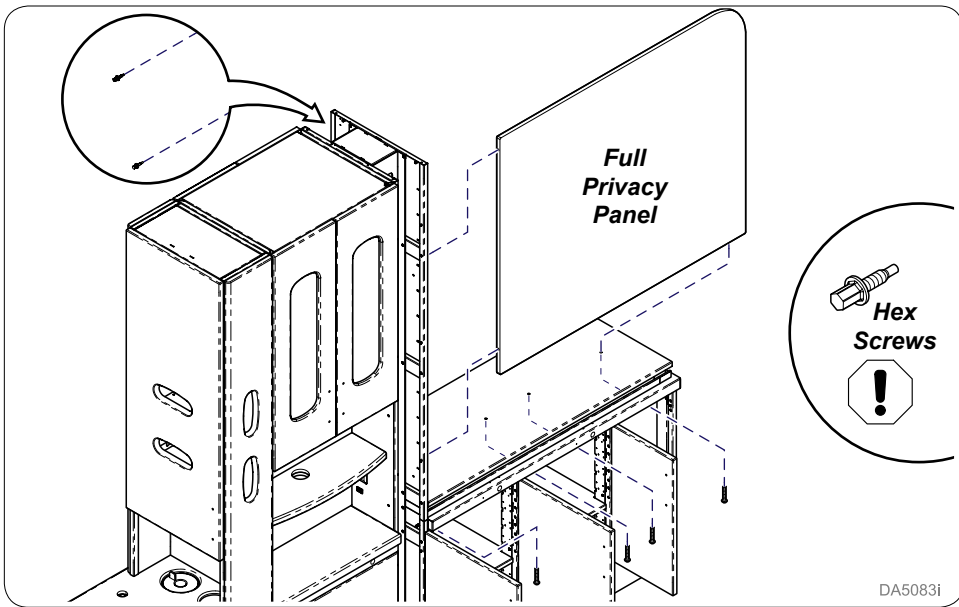
DA5080i



Step 29:
 Install Bi-fold doors by sliding bracket on door into trolley and align hinges and press to lock to mounting plate. Tighten screw on trolley to secure bracket in trolley.



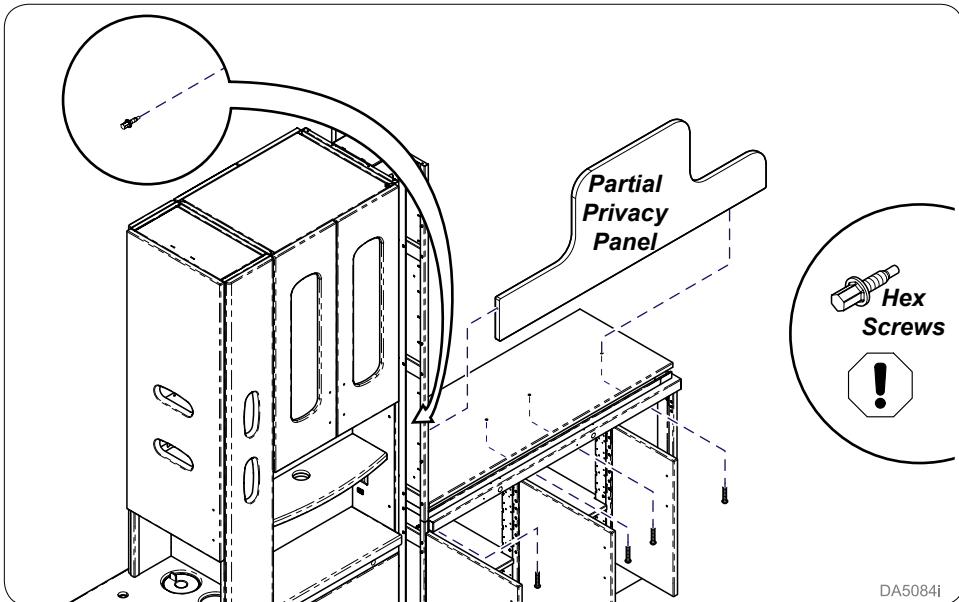
Step 30: 90" - ONLY
 Adjust door track roller so it is contacting top cap.



Step 31: Optional

Secure full privacy panel from bottom with screws (4) and from side with special hex head screws (2).

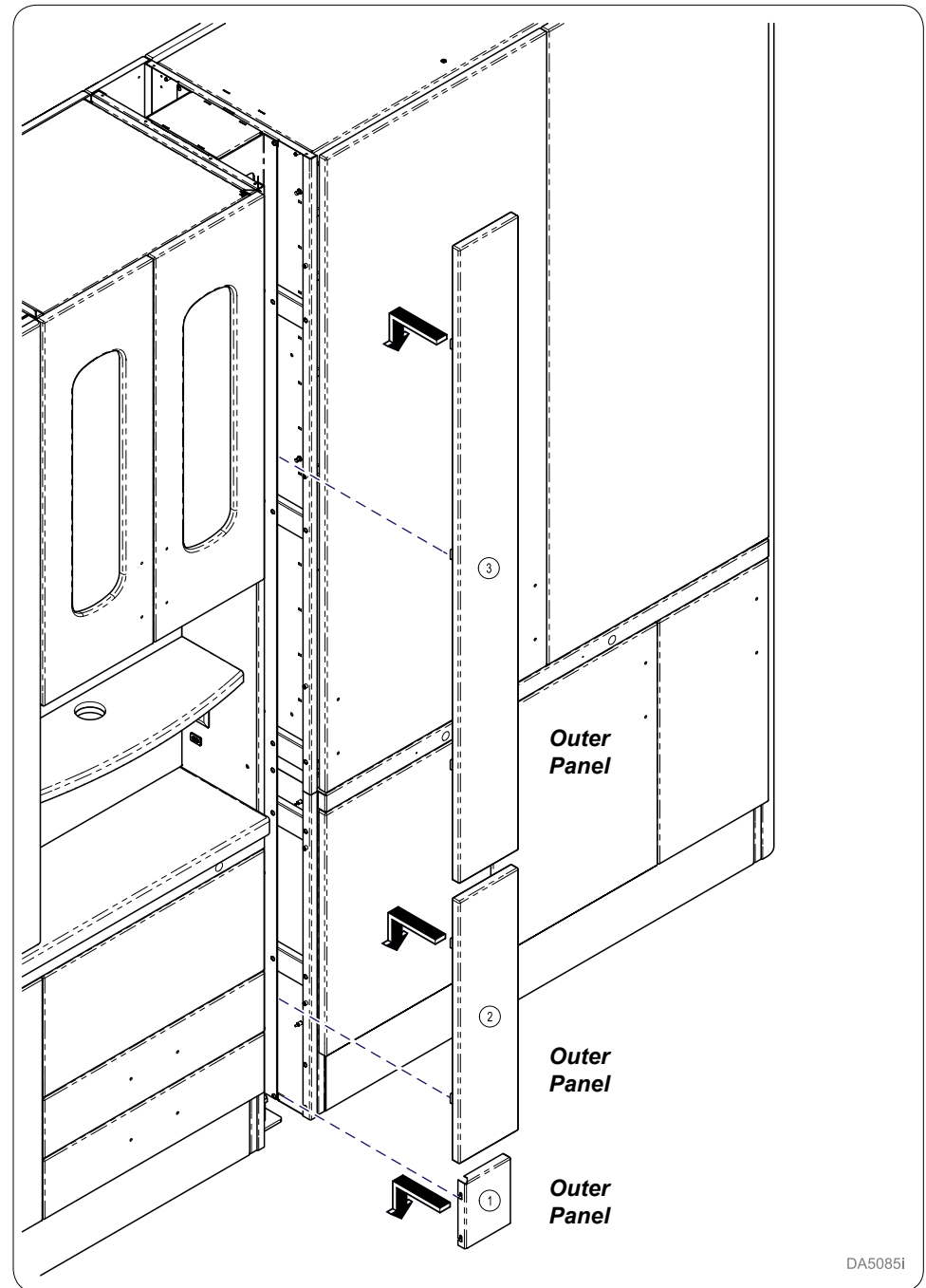
⚠ : Do not over-tighten special hex head bolts. Torque to 50-55 inch / lbs maximum.



Step 32: Optional

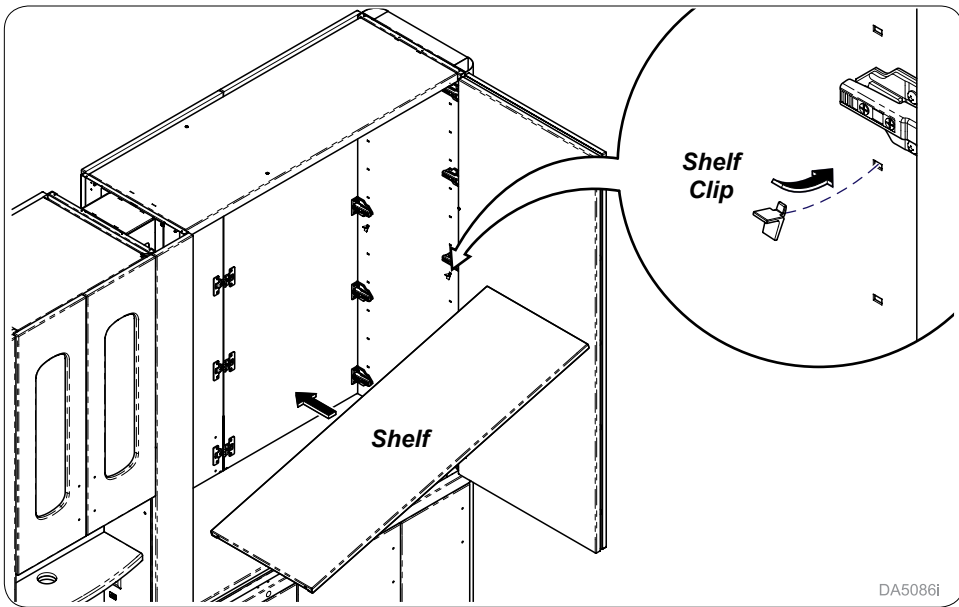
Secure partial privacy panel from bottom with screws (4) and from side with special hex head screws (1).

⚠ : Do not over-tighten special hex head bolts. Torque to 50-55 inch / lbs maximum.



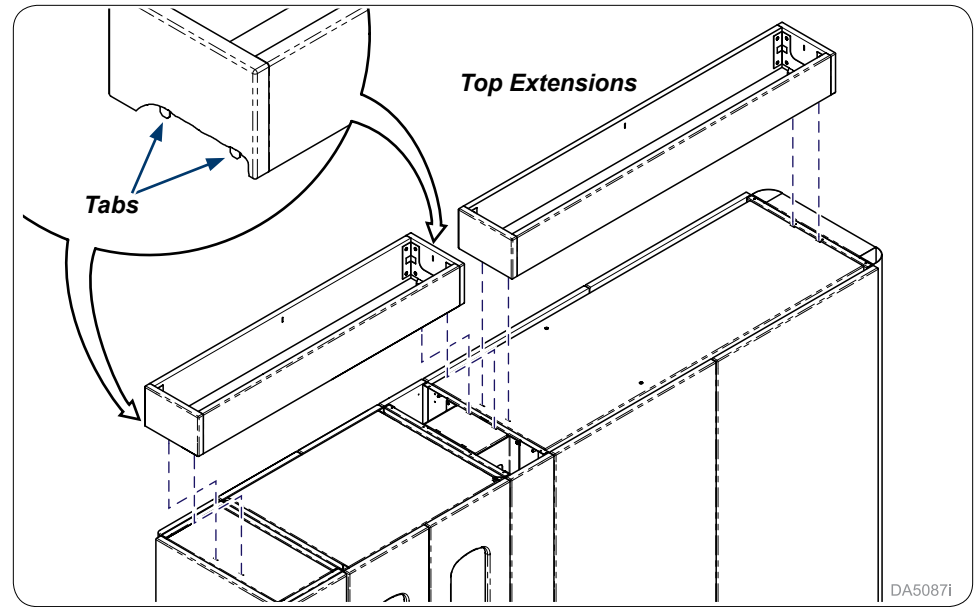
Step 33:

Install outer panels (3) per side from bottom to top as shown.



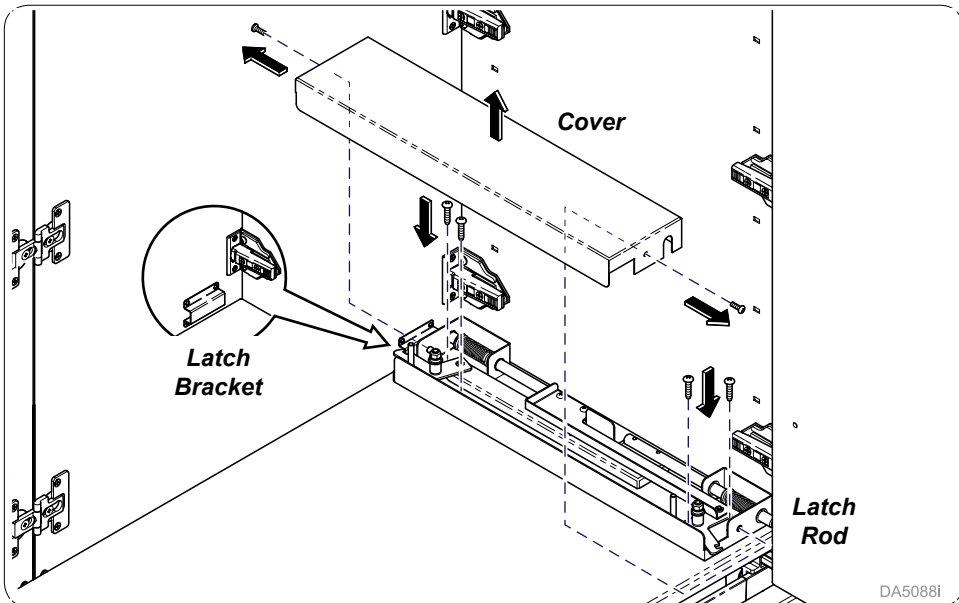
Step 34: 90" - shown
 Install shelf clips (4) per shelf and shelf(s).

DA5086i



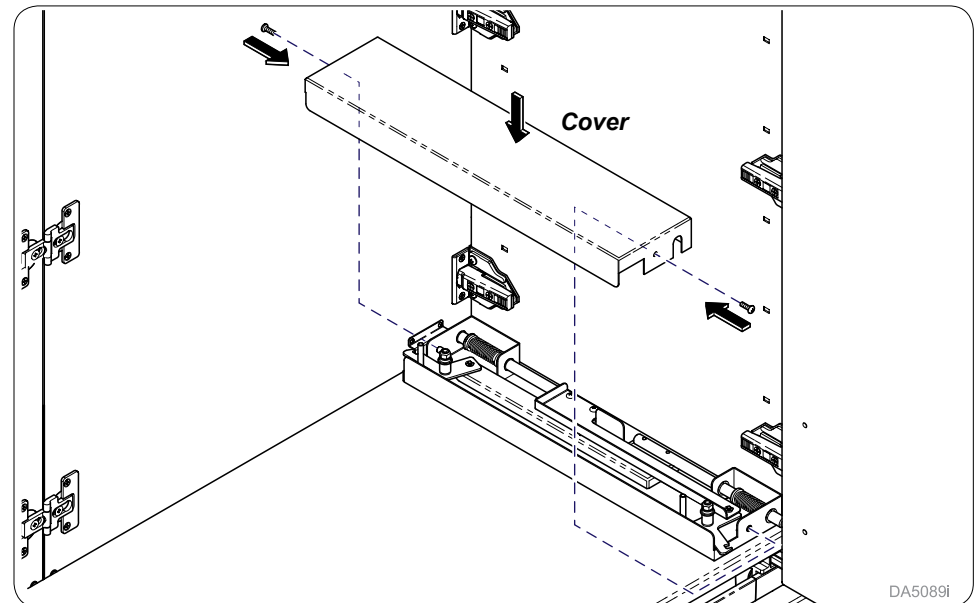
Step 35: 90" - ONLY
 Install top extensions by placing on top of cabinet making sure tabs are inserted in slots.

DA5087i



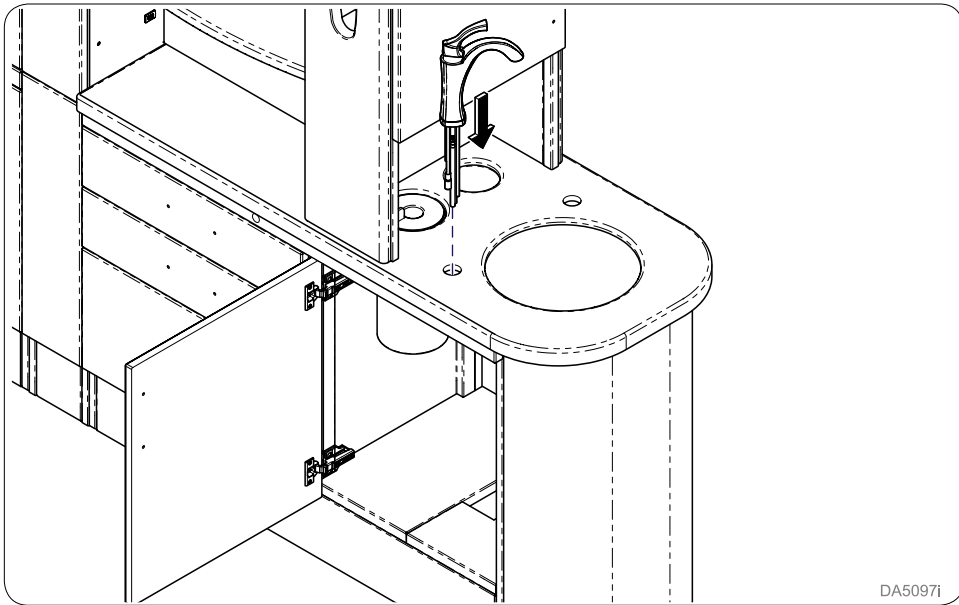
Step 36:
 Open both bi-fold doors and remove the interlock cover. Place interlock latch assembly and secure to counter top.
 Note: The latch rod must align with latch bracket on doors and pre-drilled mounting holes in counter top.

DA5088i



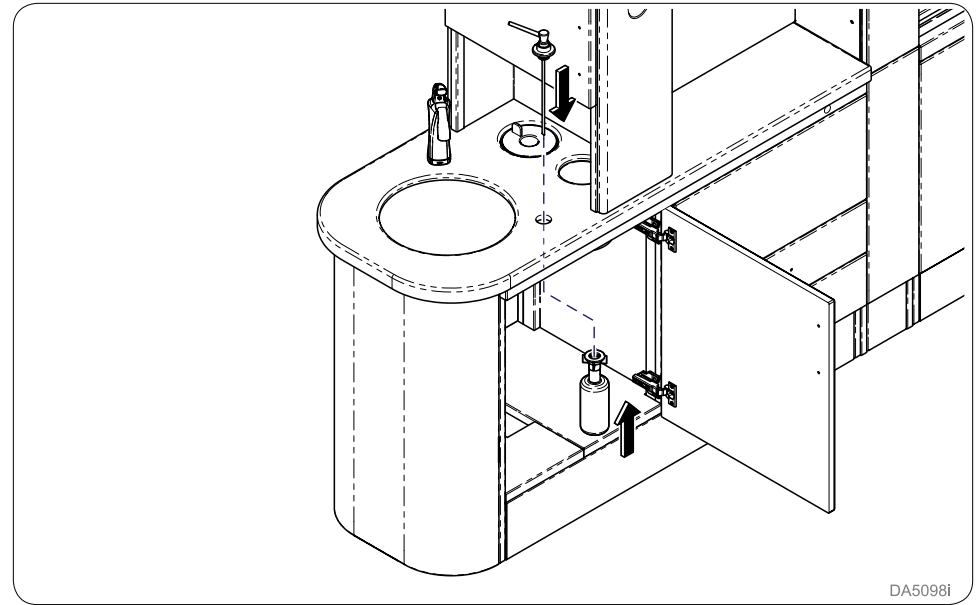
Step 37:
 Install cover and check operation.
 Note: When one side of bi-fold doors is open, other side should be latched closed.

DA5089i



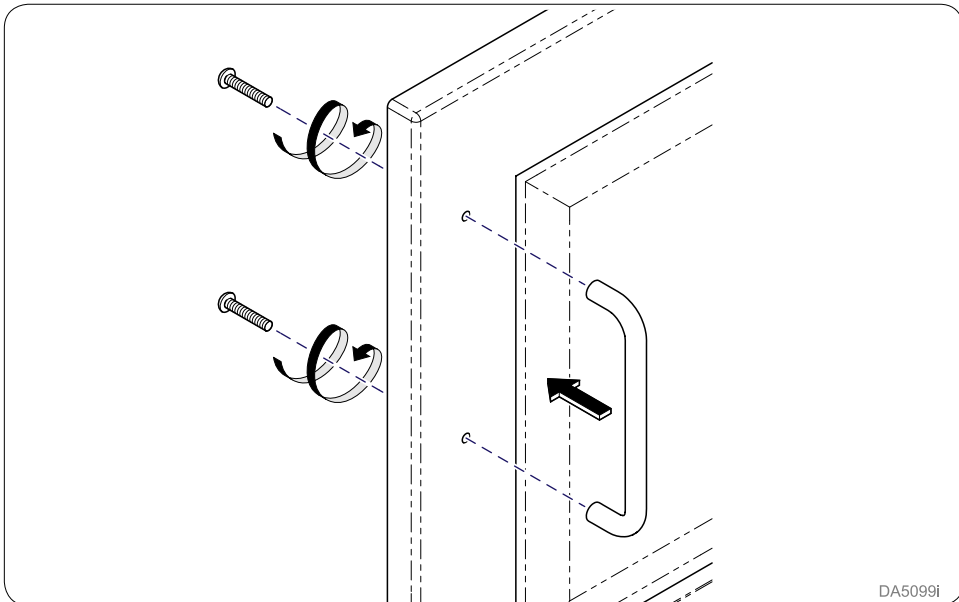
DA5097i

Step 38:
Use licensed plumber and follow state licence codes to install faucet.



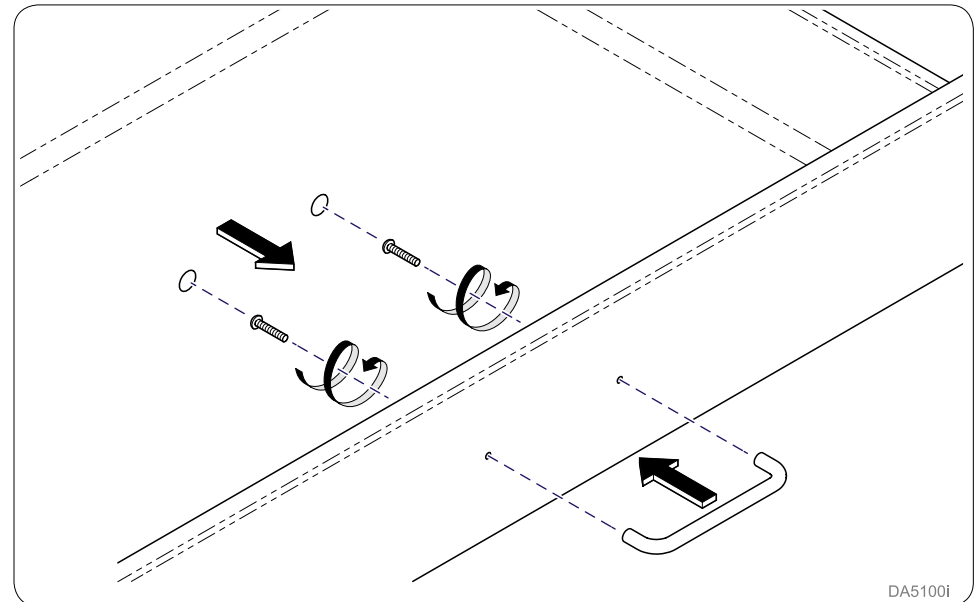
DA5098i

Step 39:
Install soap dispenser into sink base counter top.



DA5099i

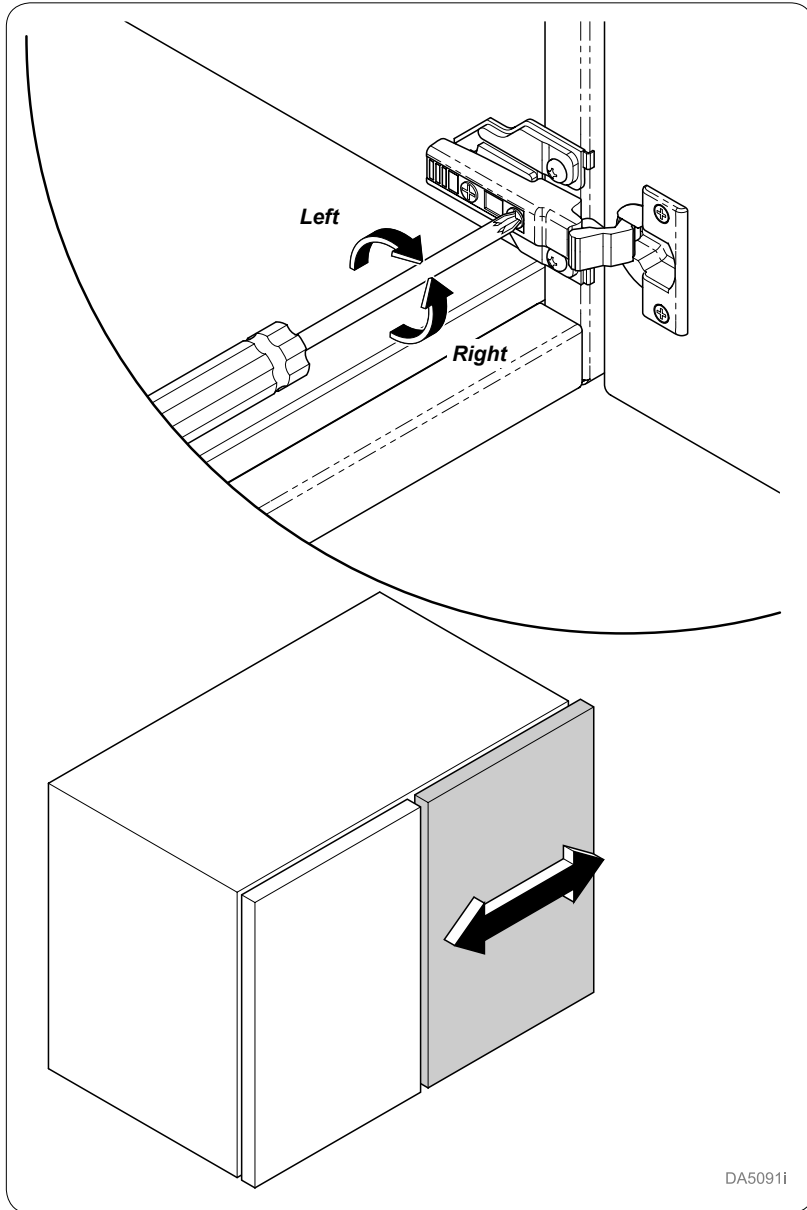
Installing Handles (If applicable)
Install door handle using hardware supplied.



DA5100i

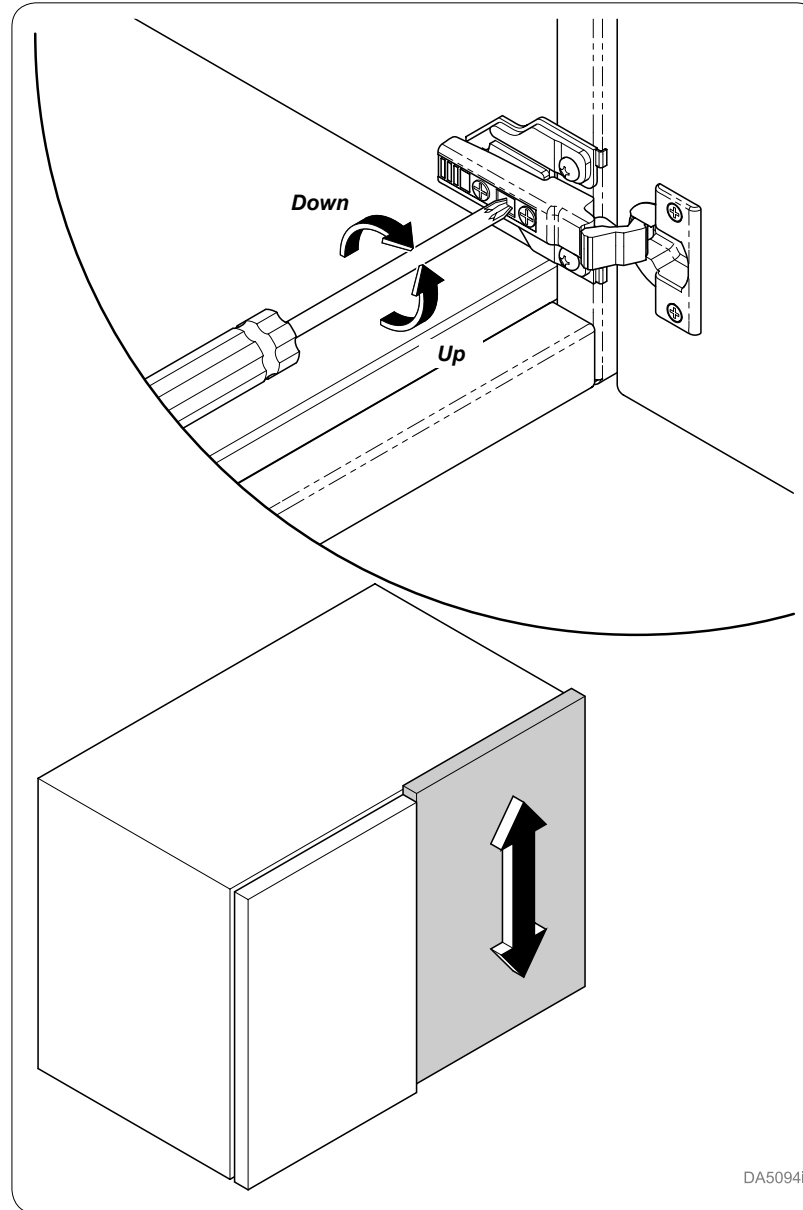
Installing Handles (If applicable)
Install drawer handle using hardware supplied. Place adhesive covers over screw heads.

Door Adjustment



Door Adjustment Side to Side (If applicable)

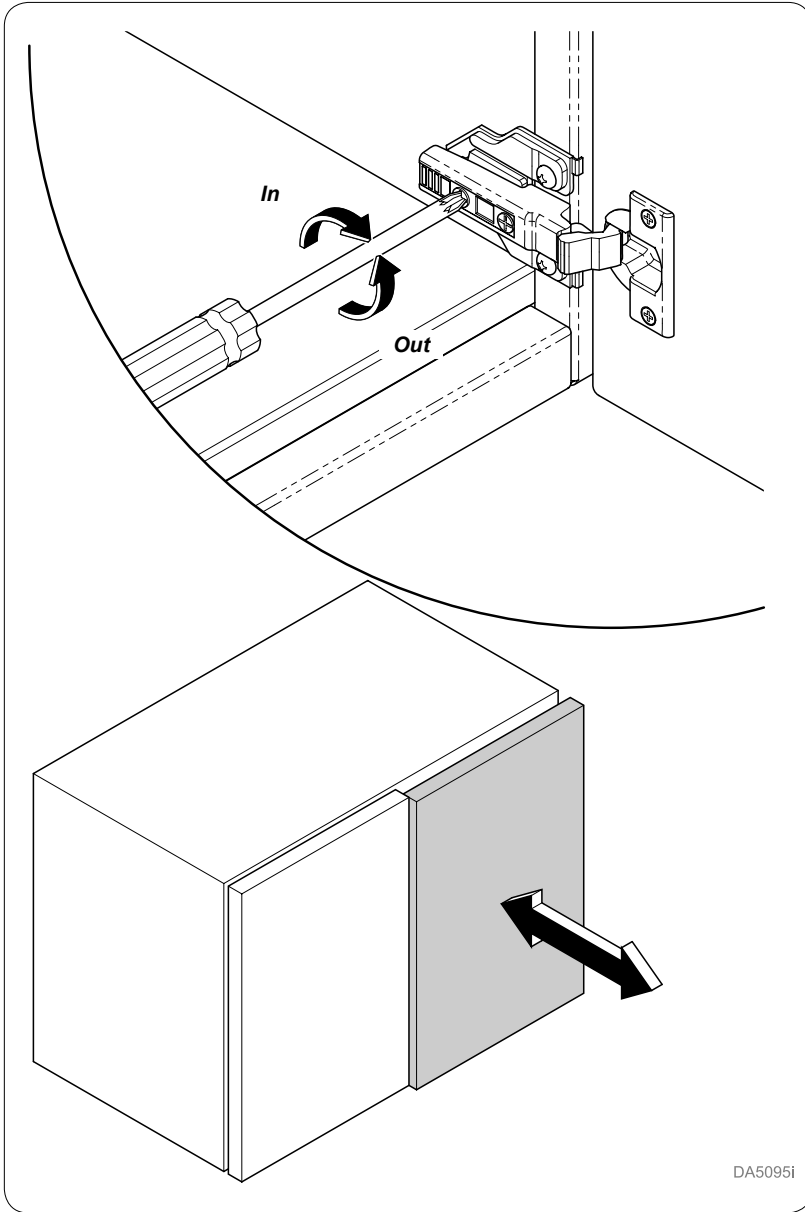
Turn screw located closest to door to increase or decrease the door overlay side to side (+ or - 2 mm).



Door Adjustment Up and Down (If applicable)

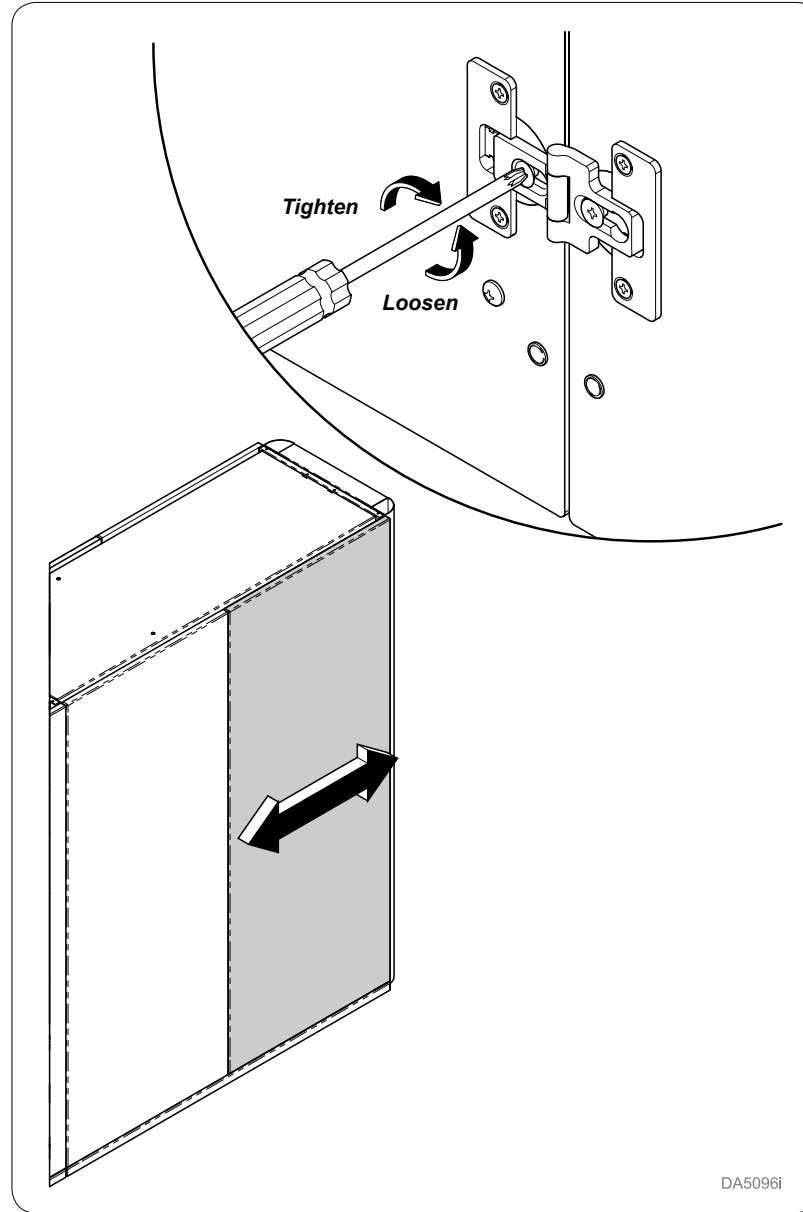
Turn cam screw located in center of mounting plate to adjust door position up or down (+ or - 2 mm).

Door Adjustment continued...



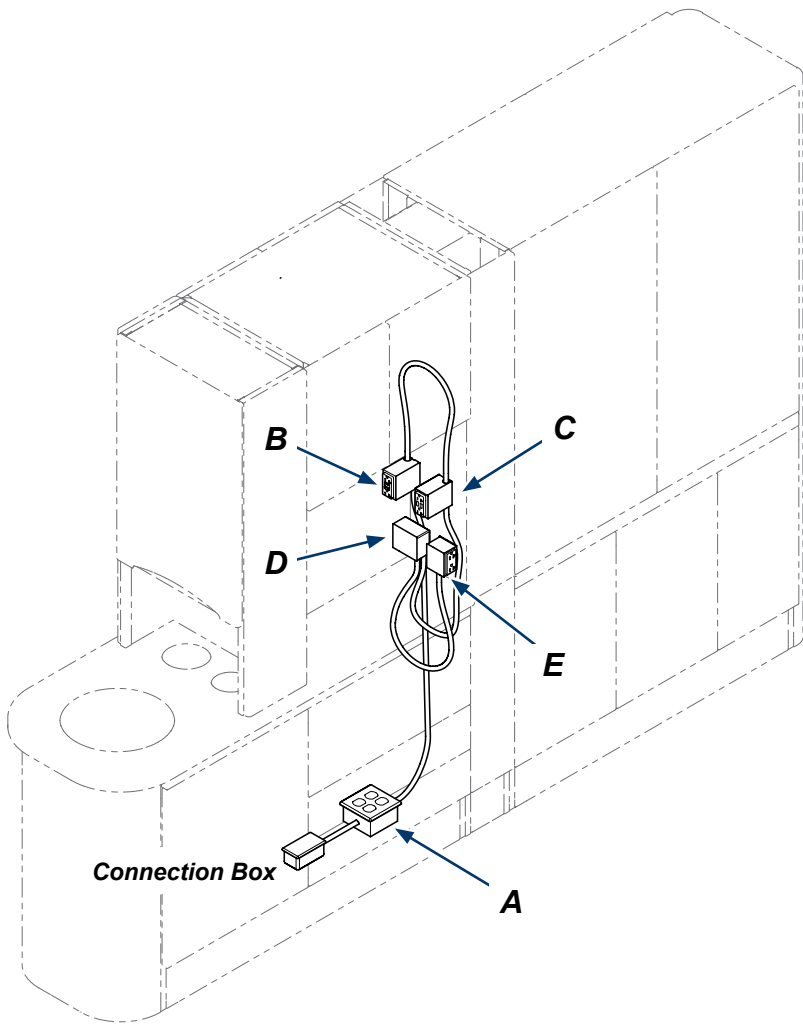
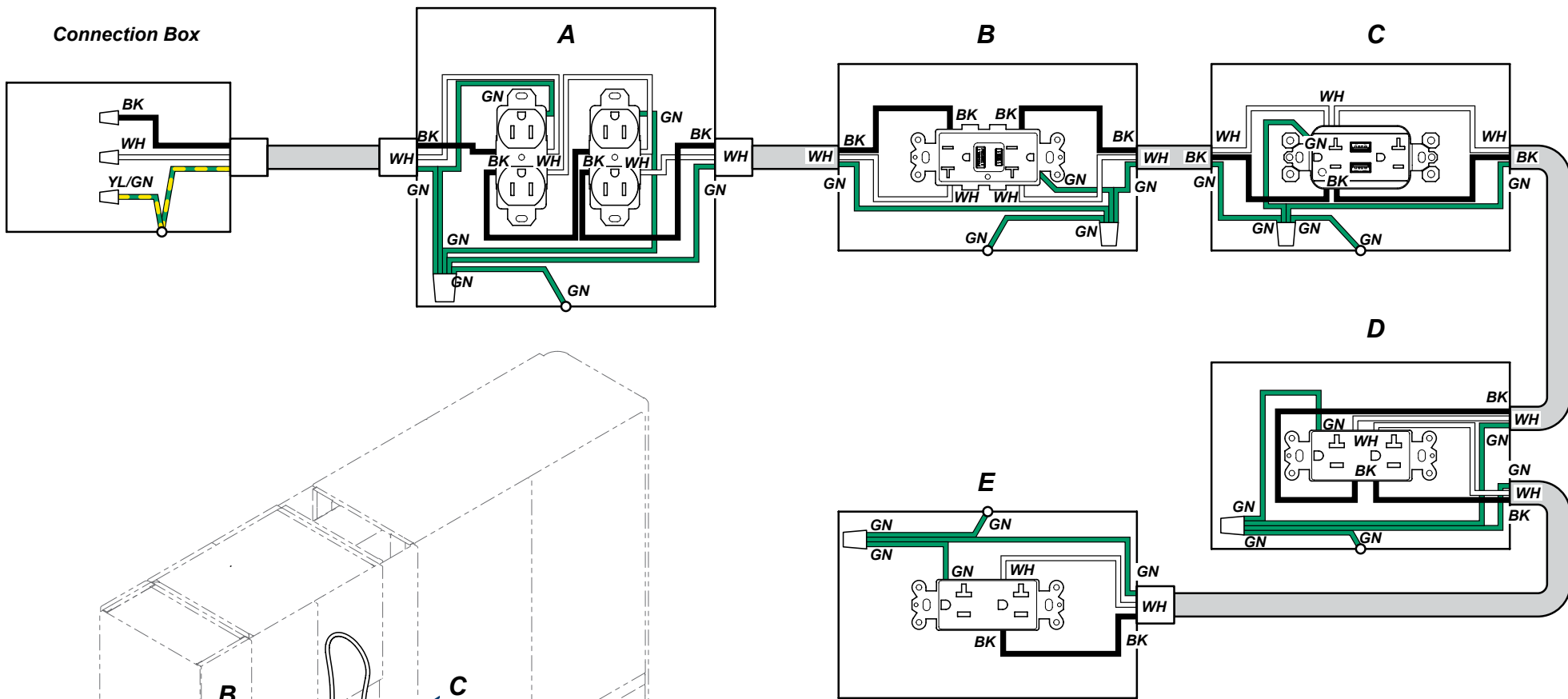
Door Adjustment Away or Closer (If applicable)

Turn Spiral Tech cam screw located furthest from door to position the door farther from or closer to cabinet (+3 mm or -2 mm).



Bi-Fold Door Gap Adjustment (If applicable)

Loosen screw located in center of hinge to adjust door from side to side.



Equipment Alert
 Use a dedicated branch circuit rated at 120VAC, 50/60 Hz, 20 amp.

Note
 Only Licensed Electricians following local and applicable electrical codes should install and connect the electrical supply power. Midmark cannot be held responsible for installations that do not conform to local codes.

Item	Color (English)
BK	Black
GN	Green or Green / Yellow
WH	White



Because we care.

003-10103-00