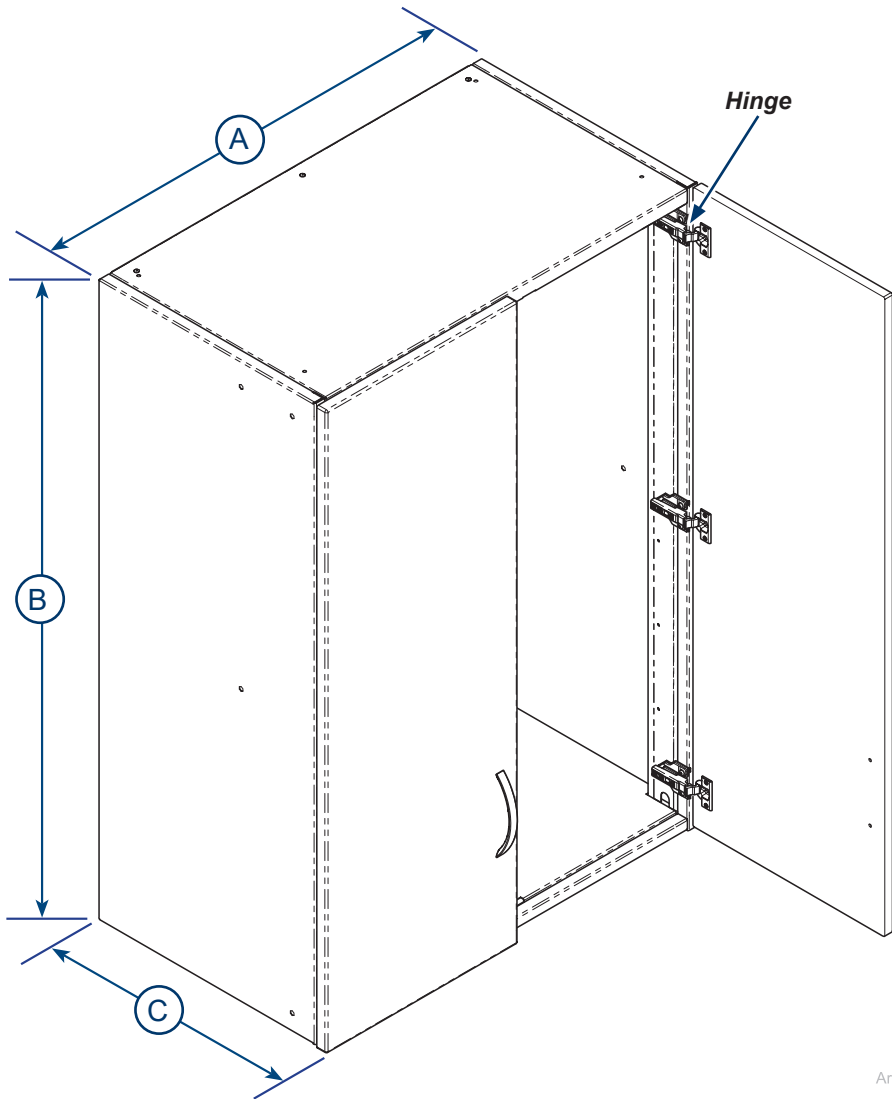


Specifications: *Synthesis® Wall Mounted Cabinetry - 43" Height Tall Upper Storage*



Dimension Ranges	
A (width)	12, 15, 18, 21, 24 and 30 in
B (height)	43 in
C (depth)	18 in

ArtHalf

- Cabinet:**
- Powdercoated 18 gauge cold rolled steel; multi-piece shell and frame design.
- Door Construction:**
- *Front/Back:* 12 Mil. Seamless polymer-covered front; melamine back (Frost in color).
 - *Core:* 45 lb. LEED IEQ compliant MDF board, 3/4 inch thick. All composite wood material to meet CARB P2 emission std of CARB reg. 91320.2.
 - *Hinges:* Manufacturer's standard Blum®, concealed, self-closing, 110 deg. opening, nickel-plated metal, clip-on mount, three adjustment points.
 - *Pulls:* 128 mm pull offering for Serenity, Transcend, and Pinnacle Style Panels; Integrated front pull design (Cove style); Recessed clear snap-on handle w/interchangeable color strips (Renew style).
- Adjustable Shelving:**
- Powdercoated 18 gauge cold rolled steel, painted to match cabinet color; manufacturer's standard die cast zinc support clips.
- Door Locks:**
- Keyed: Manufacturer's standard Timberline, individually mounted, cam style lock, removable lock plug; locks keyed alike with two keys per lock.
 - Keyless: Manufacturer's standard MicroIQ, individually mounted, cam style lock; three different keypad codes for different levels of access; option key fob available.