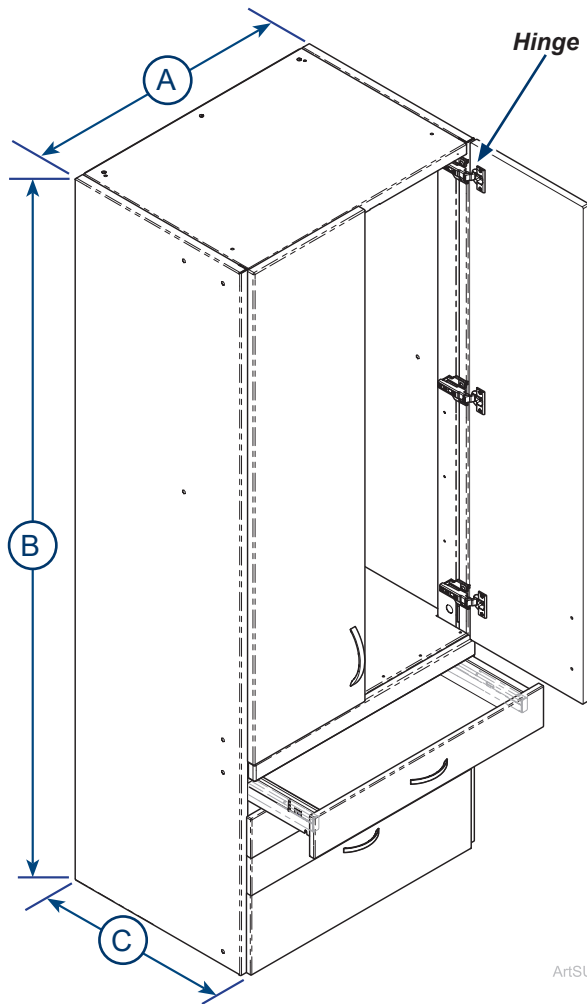


Specifications: *Synthesis® Wall Mounted Cabinetry - Tall Split Storage*



ArtSU3

Dimension Ranges	
Ⓐ (width)	12, 15, 18, 21, 24 and 30 in
Ⓑ (height)	62 and 67 in
Ⓒ (depth)	18 in

Drawers:

- *Deep Drawer Construction:* One piece molded polystyrene drawer bodies w/rounded corners; (Frost color).
- *Front/Back:* 12 Mil. Seamless polymer-covered front; melamine back (Frost in color).
- *Core:* 45 lb. LEED IEQ compliant MDF board, 3/4 inch thick. All composite wood material to meet CARB P2 emission std of CARB reg. 91320.2.
- *Slide:* Manufacturer's standard Accuride Aero (100 lb. capacity) ball bearing slides; Accuride Model 3832 (100 lb. capacity) for pullout writing surfaces.
- *Pulls:* 128 mm pull offering for Serenity, Transcend, and Pinnacle Style Panels; Integrated front pull design (Cove style); Recessed clear snap-on handle w/interchangeable color strips (Renew style).

Drawer Locks:

- **Keyed:** Manufacturer's standard Timberline lock body with removable lock plug; 16 gauge cold rolled steel pivoting lock bar for central lock system; locks keyed alike with two keys per lock.
- **Keyless:** Manufacturer's standard MicroIQ; 16 gauge cold rolled steel pivoting lock bar for central lock system; three different keypad codes for different levels of access; option key fob available.

Cabinet:

- Powdercoated 18 gauge cold rolled steel; multi-piece shell and frame design.

Door Construction:

- *Front/Back:* 12 Mil. Seamless polymer-covered front; melamine back (Frost in color).
- *Core:* 45 lb. LEED IEQ compliant MDF board, 3/4 inch thick. All composite wood material to meet CARB P2 emission std of CARB reg. 91320.2.
- *Hinges:* Manufacturer's standard Blum®, concealed, self-closing, 110 deg. opening, nickel-plated metal, clip-on mount, three adjustment points.
- *Pulls:* 128 mm pull offering for Serenity, Transcend, and Pinnacle Style Panels; Integrated front pull design (Cove style); Recessed clear snap-on handle w/interchangeable color strips (Renew style).

Adjustable Shelving:

- Powdercoated 18 gauge cold rolled steel, painted to match cabinet color; manufacturer's standard die cast zinc support clips.

Door Locks:

- **Keyed:** Manufacturer's standard Timberline, individually mounted, cam style lock, removable lock plug; locks keyed alike with two keys per lock.
- **Keyless:** Manufacturer's standard MicroIQ, individually mounted, cam style lock; three different keypad codes for different levels of access; option key fob available.