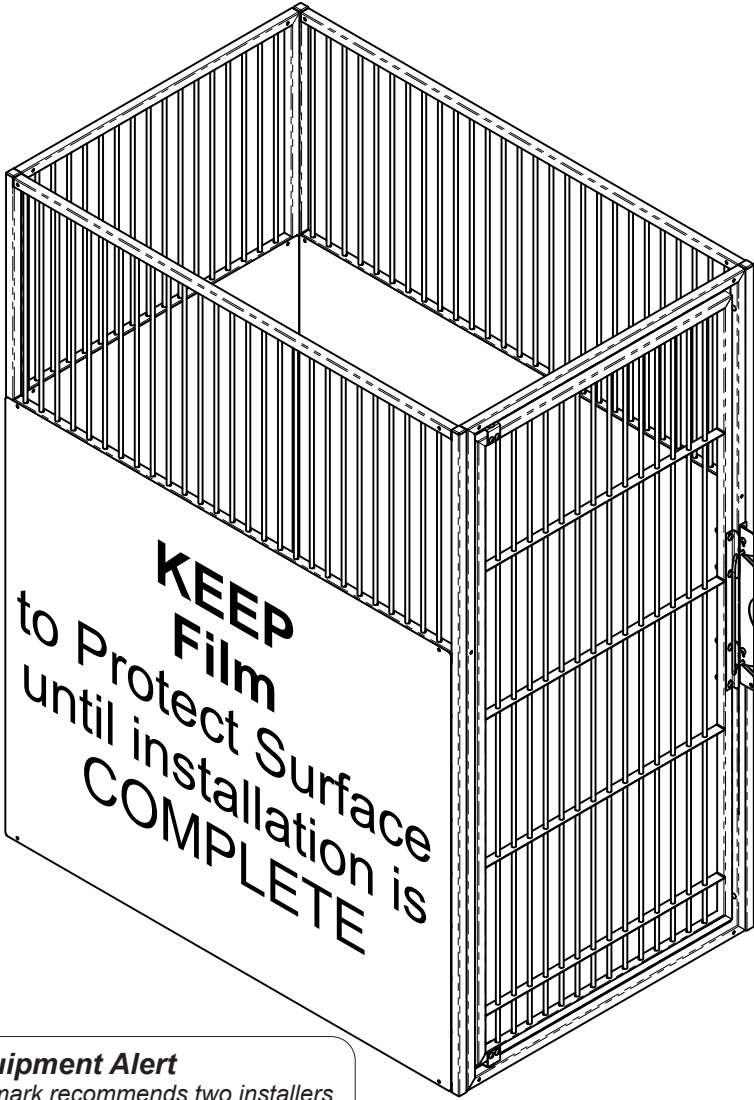



# Midmark® Kennel Run Setup Manual

Applies to Models:  
All

 **Equipment Alert**  
Inspect all components for shipping damages.



 **Equipment Alert**  
Midmark recommends two installers for a safe and clean installation of Kennel Run products.

TP201 Rev. A

ArtFull

## Important Information and Symbols

These symbols may appear on your equipment and / or in the manuals.



### WARNING

Indicates a potentially hazardous situation which could result in serious injury if not avoided.



### Caution

Indicates a potentially hazardous situation which may result in minor or moderate injury if not avoided. It may also be used to alert against unsafe practices



### Equipment Alert

Indicates a potentially hazardous situation which could result in equipment damage if not avoided.

### Note:

Amplifies a procedure, practice or condition.

### Contact Information:

Midmark Corporation - Carthage Facilities  
1000 Civil War Road  
Area 5  
Carthage, MO 64836  
Phone: 1-800-299-9525

### Intended Use

The Carthage Kennel Runs are intended for use by the professional animal health practitioners as supporting products in their practice providing adequate storage and technology integration for typical operation products and equipment while still retaining an aesthetic appeal. The Kennel Runs should be designed to address the needs that the animal health practitioners have when working in the Kennel.



Proper Shipping Orientation



Fragile



Keep Dry



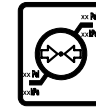
Consult User Guide



AC (Alternating Current)



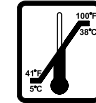
Corrugated Recycle



Pressure Limits



Humidity Limit



Temperature Limit



Type B Applied Part



Protective Earth Ground



No Stacking

### Transportation / Storage / Operating Conditions

Transportation / Storage Temperature Range: ..0°F to 140°F (-18°C to 60°C)  
Relative Humidity:.....10% to 90% (Non-Condensing)  
Atmospheric Pressure:.....7.2 PSI to 15.3 PSI (50 kPa to 106 kPa)  
Operating Temperature Range.....59°F to 95°F (15°C to 35°C)

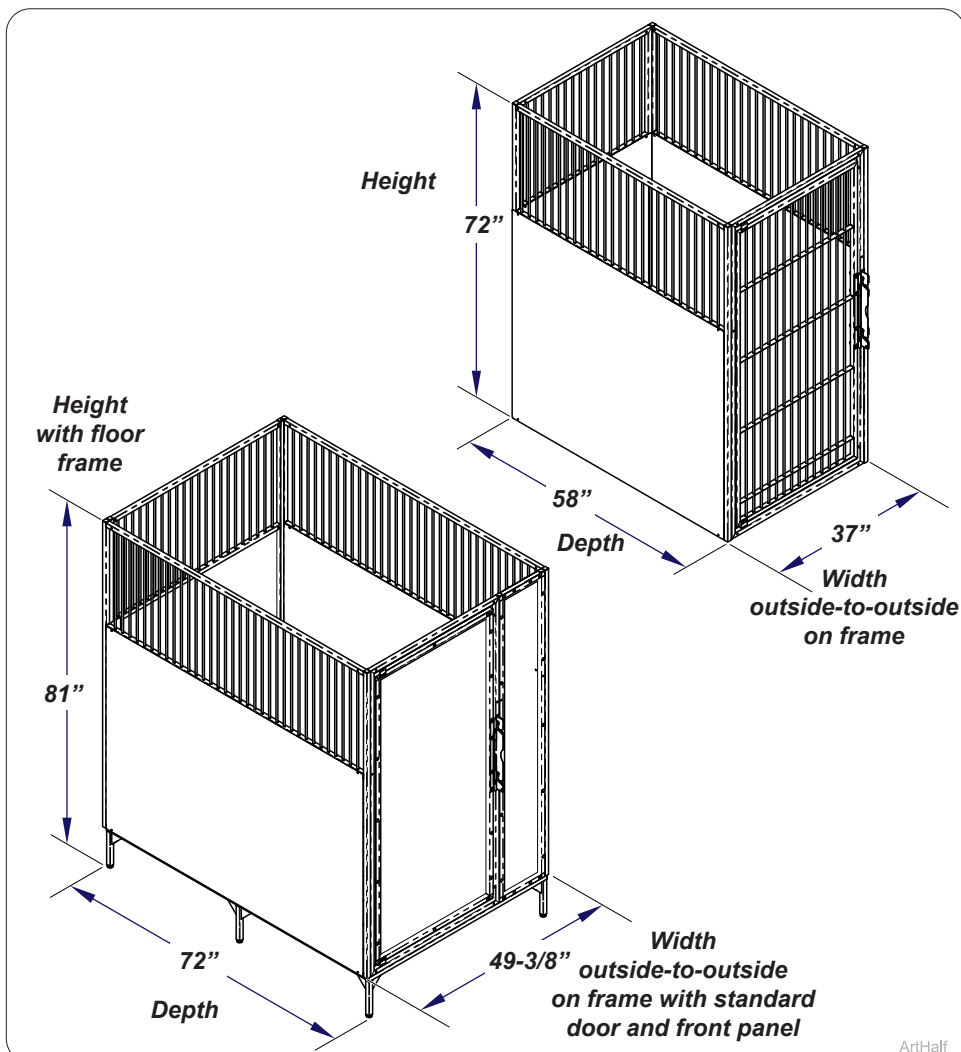
### Disposal of Equipment / Consumable Goods

At the end of this products life, the unit, accessories and other consumable goods may be contaminated from normal use. Consult local codes and ordinances for proper disposal of this equipment and other consumable.

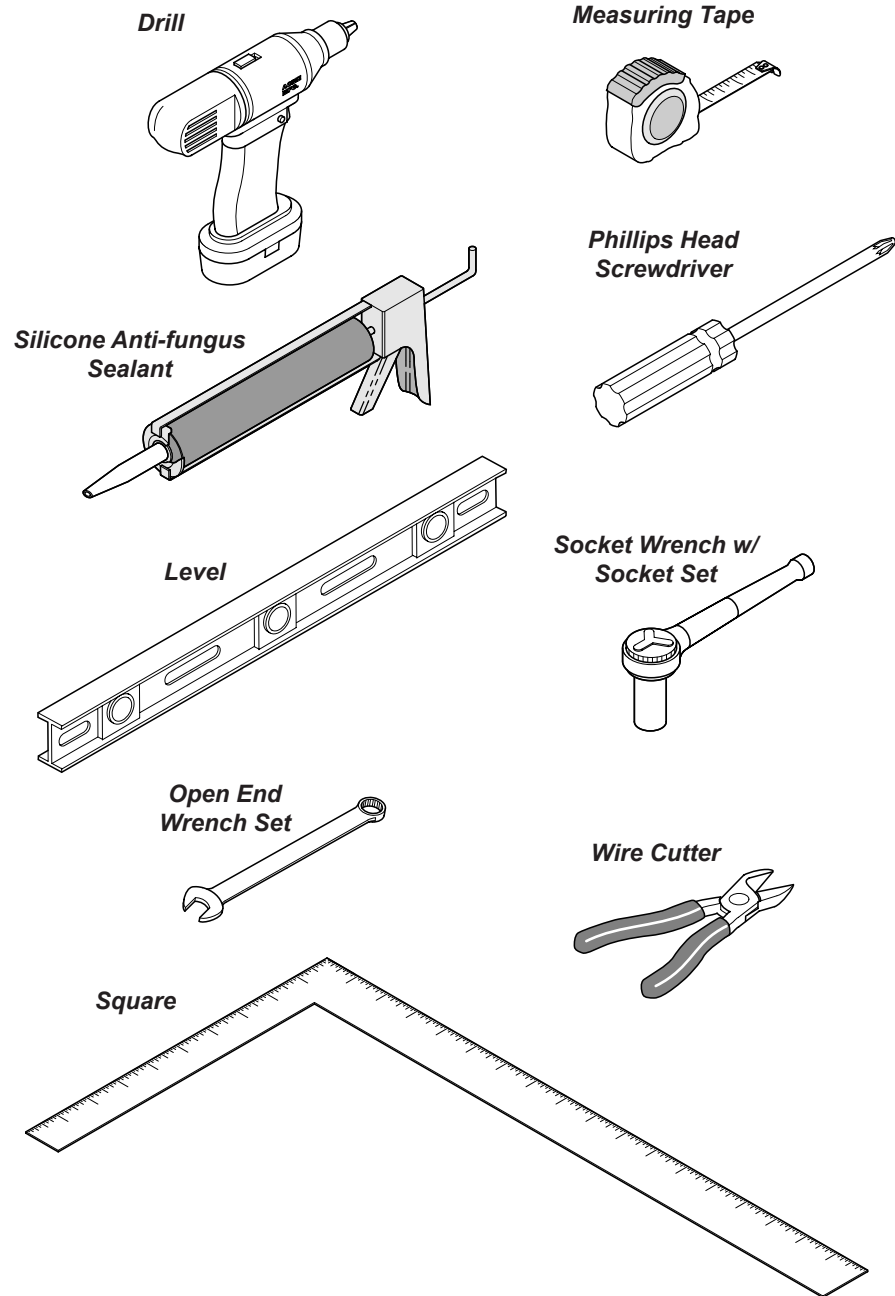
## Pre-Installation Check

### Inspections of components

- Inspect product for any damage. Identify and report shipping damage as soon as possible.
- **DO NOT REMOVE** protective film until assembly is finished.
- Confirm quantity and type of side panels, gate assemblies, and back panels required for specific installation of product.
- Verify that the runs will fit the installation area by double checking the area's dimensions.

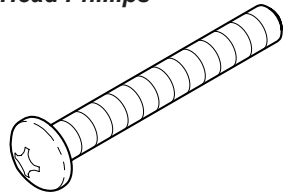


## Tools Required



# Hardware for Freestanding Units

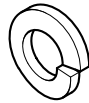
**1/4-20 x 1-1/2"  
Truss Head Phillips**



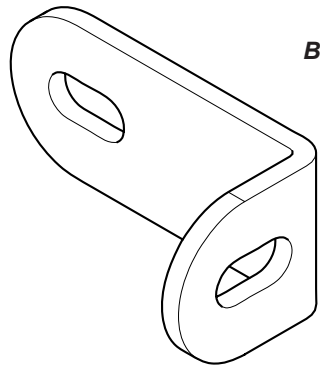
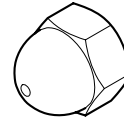
**1/4-20  
Locking Nut**



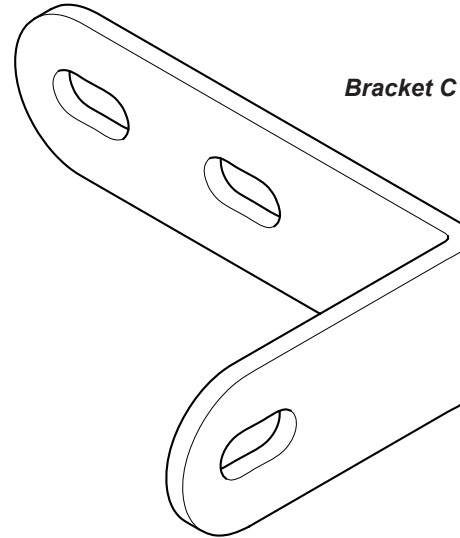
**1/4" Split  
Lock Washer**



**1/4"  
Acorn Nut**

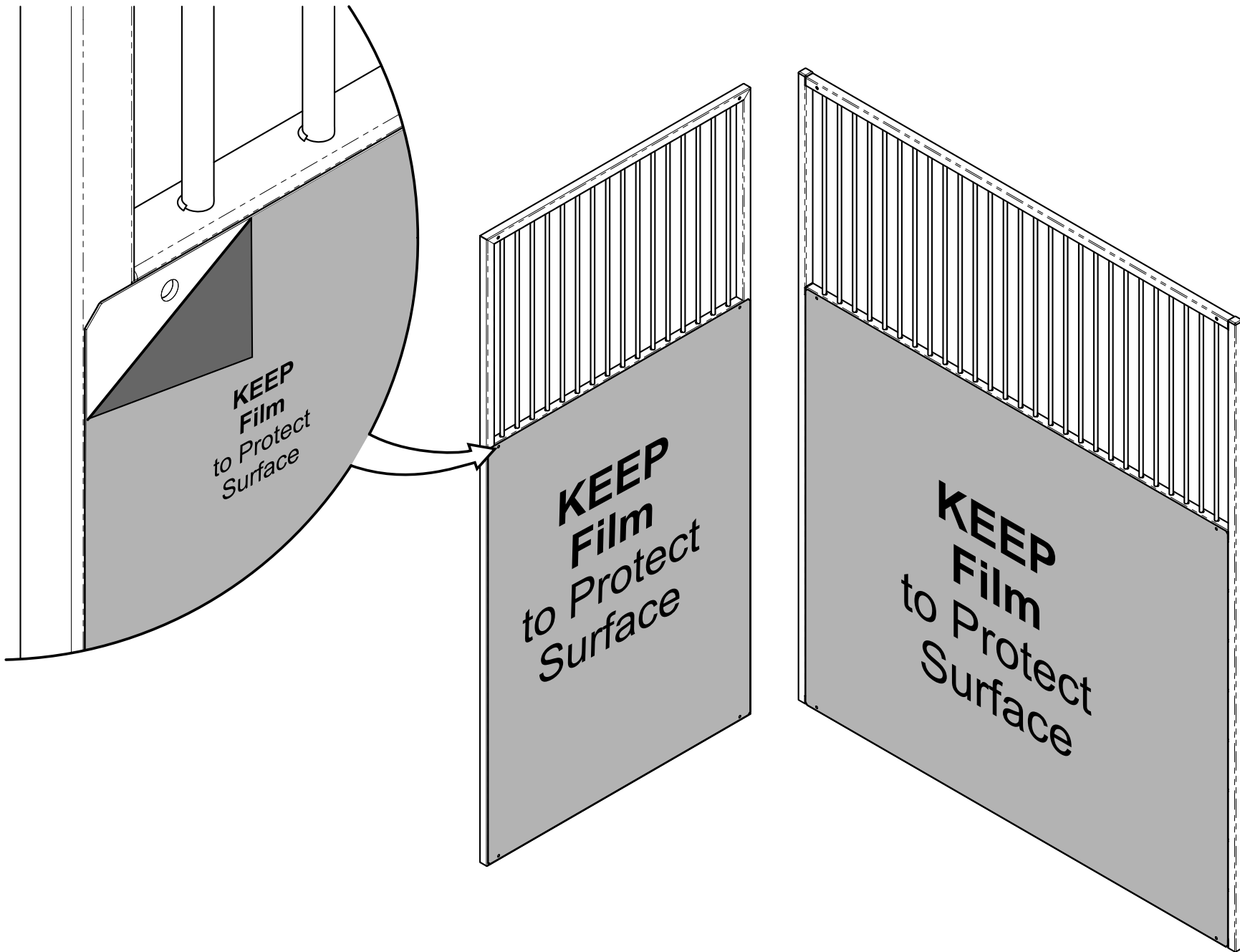


**Bracket D**



**Bracket C**

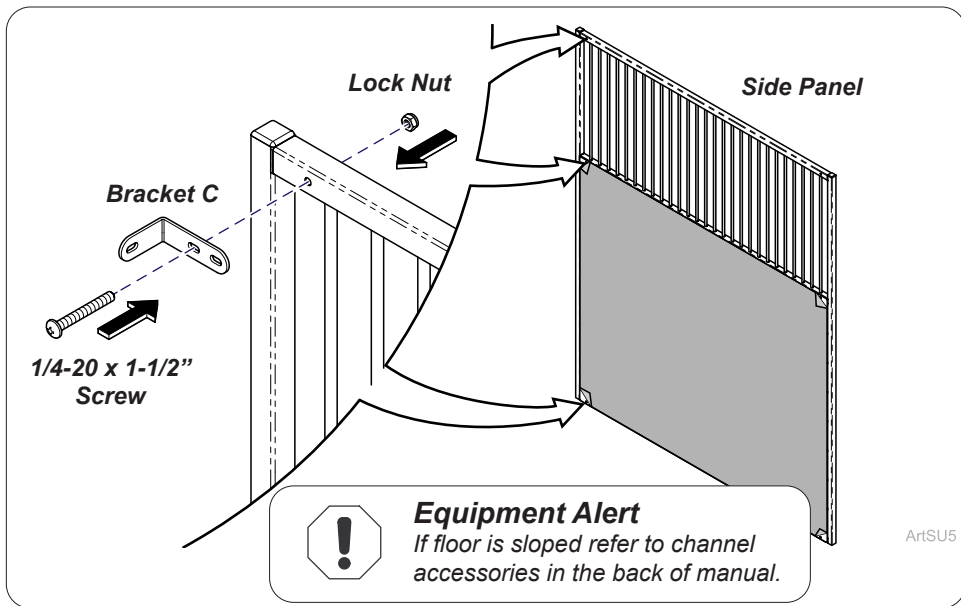
ArtFull



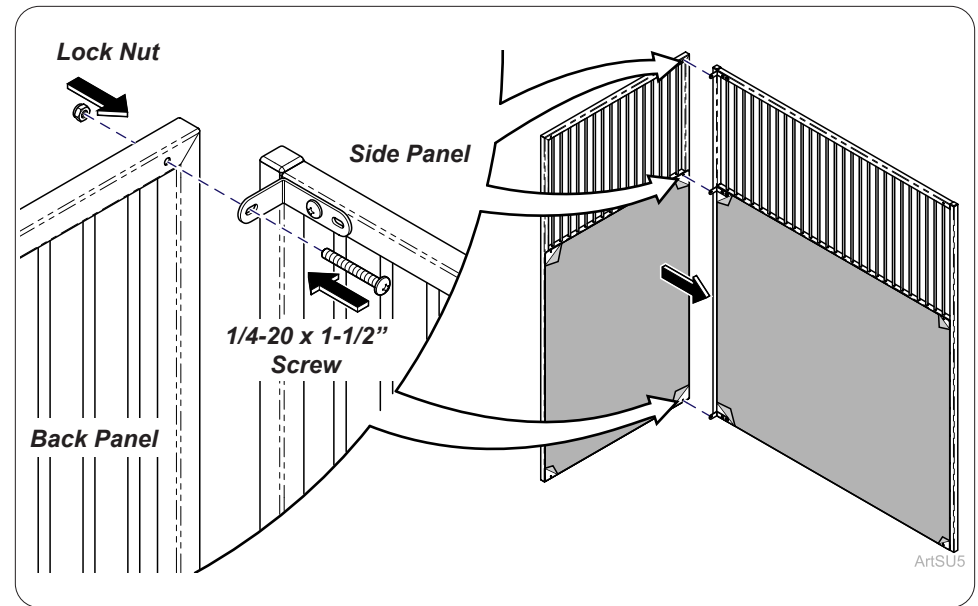
### Step 1: Exposing Panel Holes

Remove film **ONLY** from around panel holes for installation of kennel runs to prevent scratches on panels.

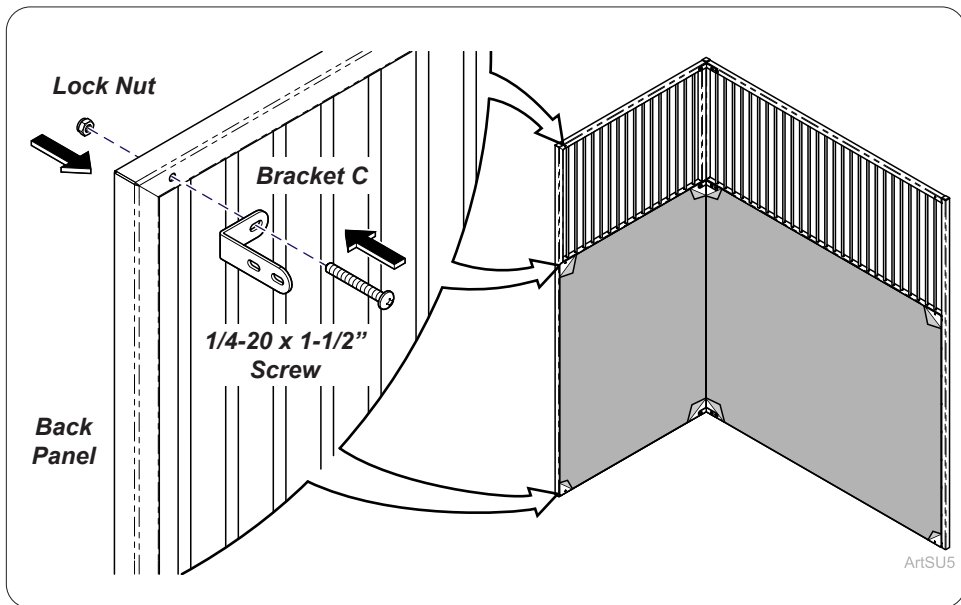
ArtFull



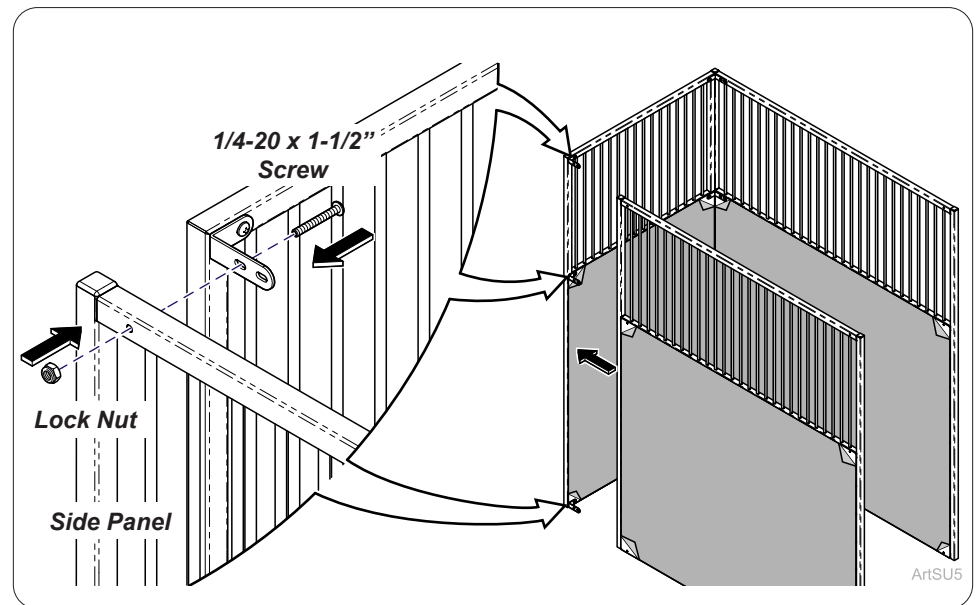
**Step 2:**  
 Install Bracket C(3) loosely in top, middle and bottom of side panel with 1/4-20 x 1-1/2" screw and lock nut. Hand tighten.  
*Note: Midmark recommends multiple installers to lift.*



**Step 3:**  
 Install back panel loosely to Bracket C attached to side panel with 1/4-20 x 1-1/2" screws (3) and lock nuts (3) Hand tighten.



**Step 4:**  
 Install Bracket C(3) loosely in top, middle and bottom of back panel with 1/4-20 x 1-1/2" screw and lock nut. Hand tighten.



**Step 5:**  
 Install side panel loosely to Bracket C attached to back panel with 1/4-20 x 1-1/2" screws (3) and lock nuts (3). Hand tighten.

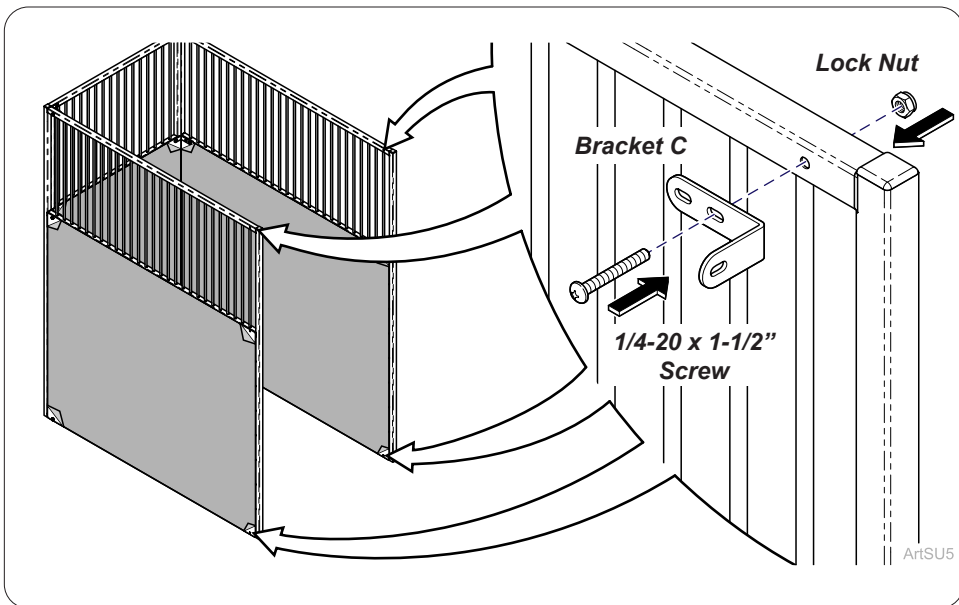
**Equipment Alert**  
 If floor is sloped refer to channel accessories in the back of manual.

ArtSU5

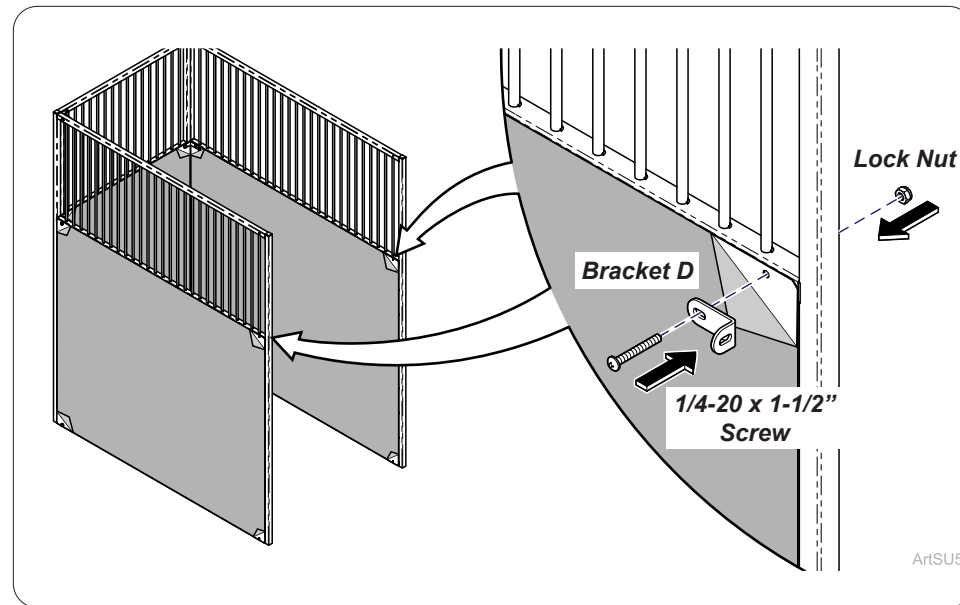
ArtSU5

ArtSU5

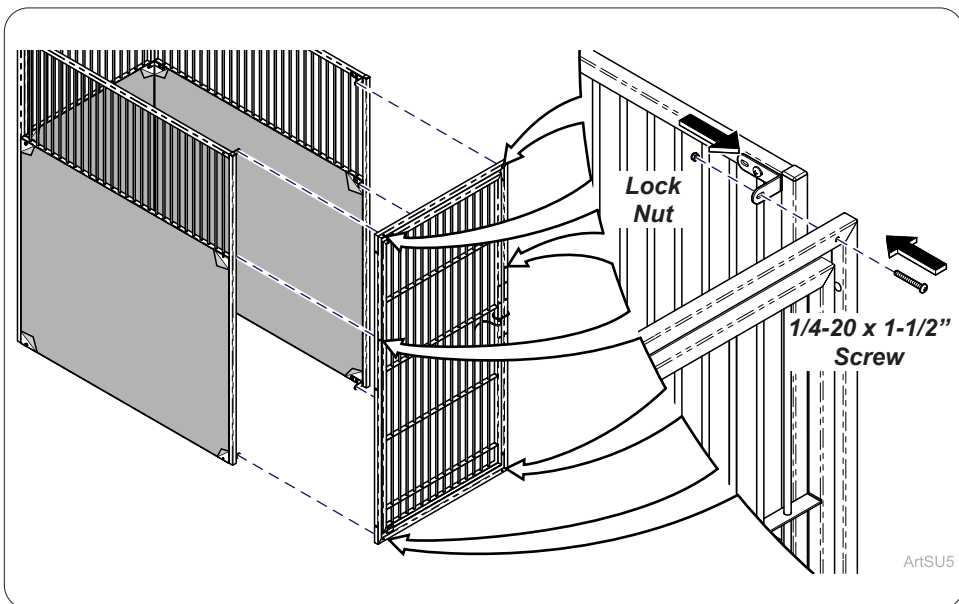
ArtSU5



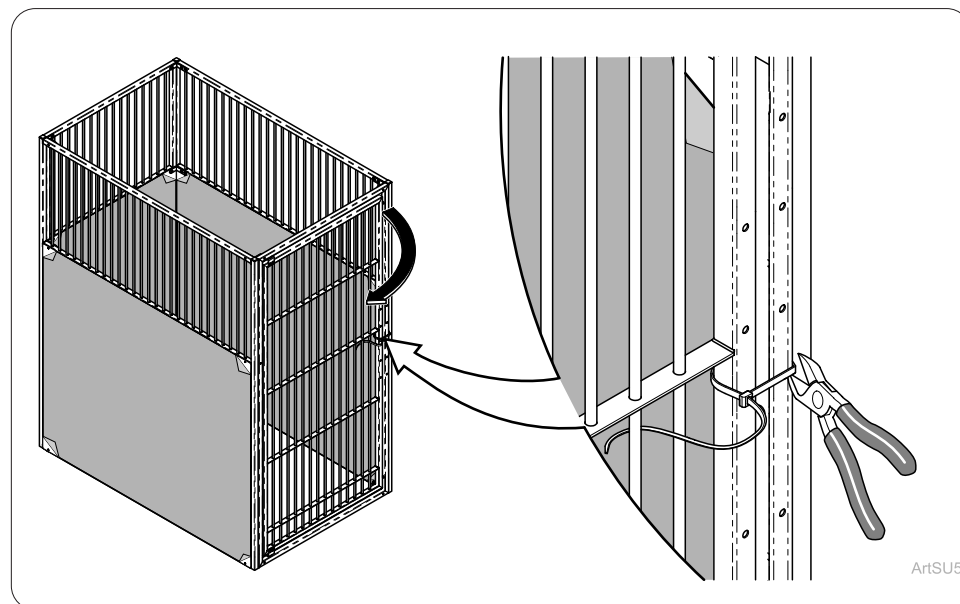
**Step 6:**  
Install Bracket C (4) to inside of panels on top and bottom corners with 1/4-20 x 1-1/2" screw and lock nut. Hand tighten.



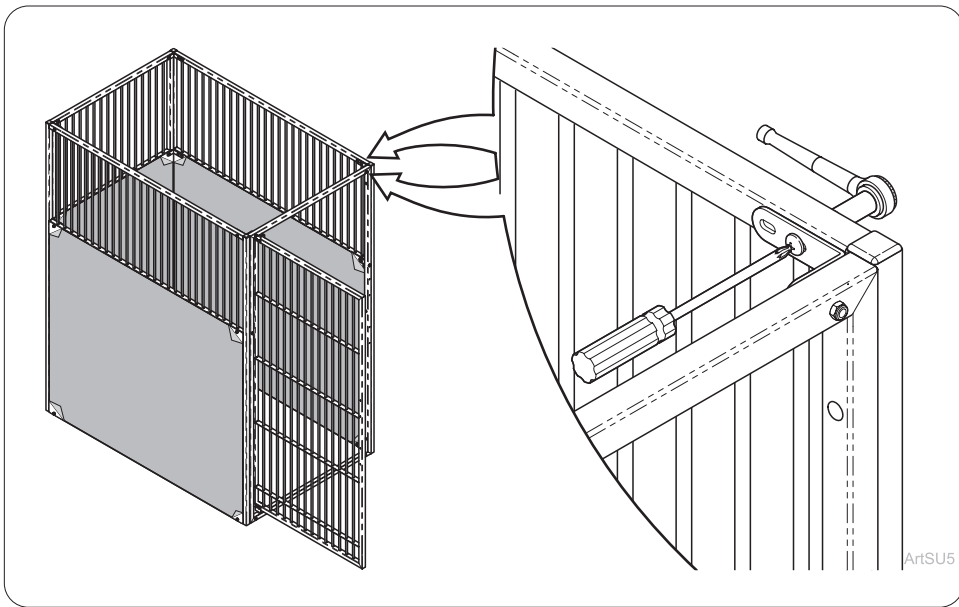
**Step 7:**  
Install Bracket D (2) to middle of inside of panels with 1/4-20 x 1-1/2" screw and lock nut. Hand tighten.



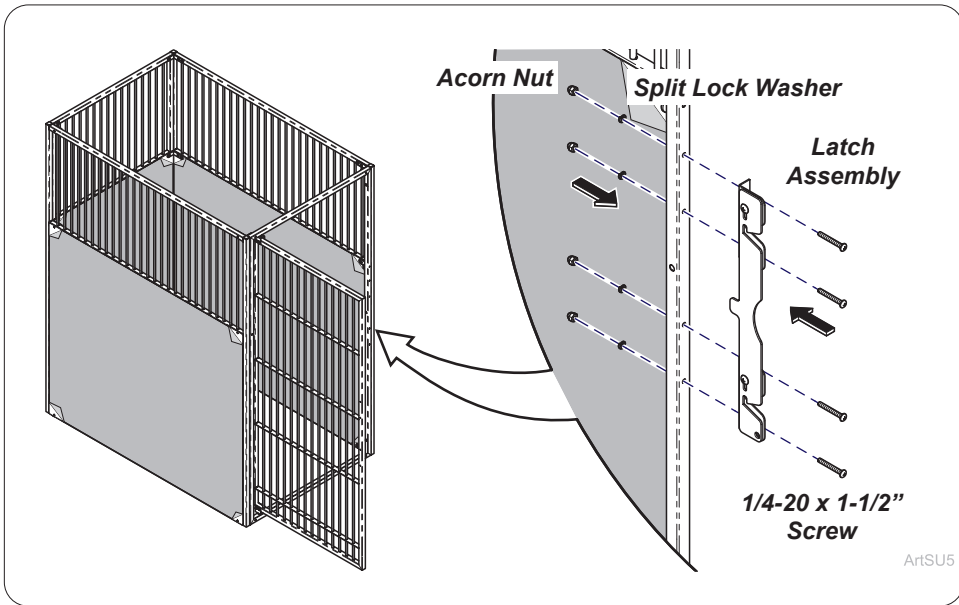
**Step 8:**  
Install Gate Assembly to front of Kennel with 1/4-20 x 1-1/2" screws (6) and lock nuts (6). Hand tighten.  
*Note: Midmark recommends multiple installers to secure Gate assembly to Kennel walls.*



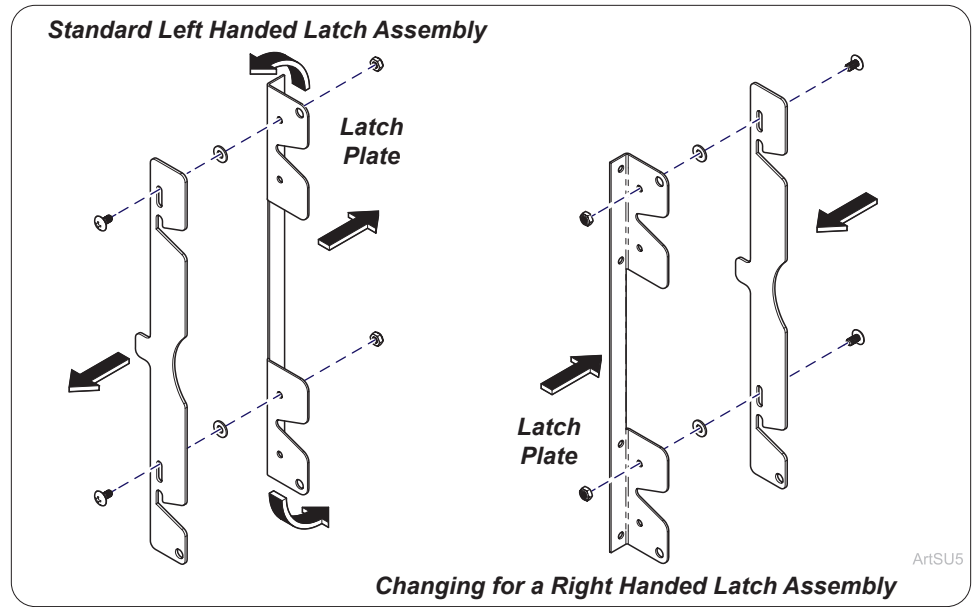
**Step 9:**  
Remove Zip Tie from gate and open door.



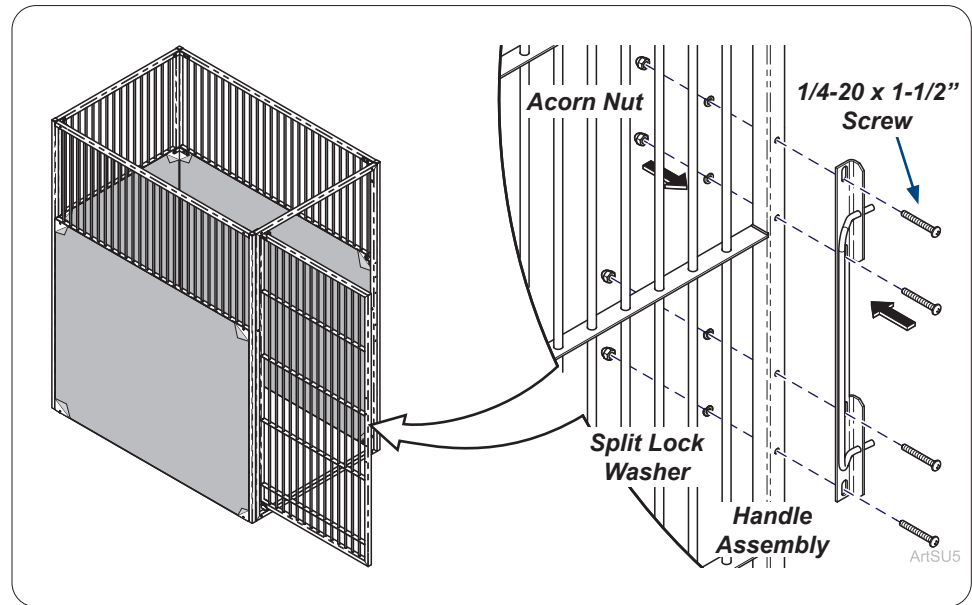
**Step 10:**  
Tighten all screws and lock nuts in brackets.



**Step 12:**  
Install latch assembly to front of gate frame with 1/4-20 x 1-1/2" screws (4), split lock washers (4) and acorn nuts (4).

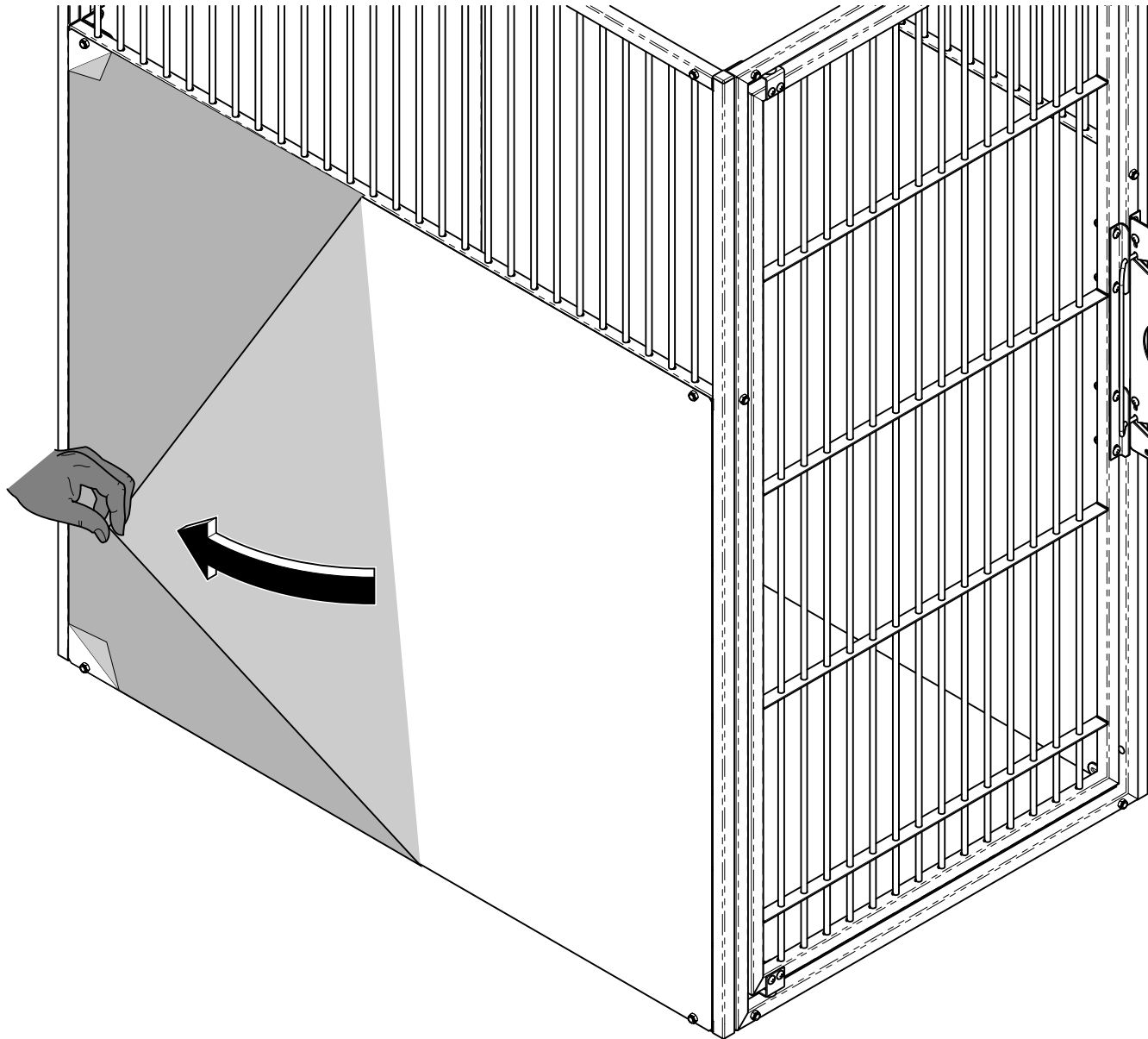


**Step 11: Flip Latch Assembly (if necessary)**  
To create right handed latch assembly remove latch plate from latch. Rotate 180° and reassemble as shown.



**Step 13:**  
Install handle assembly to front of gate with 1/4-20 x 1-1/2" screws (4), split lock washers (4) and acorn nuts (4). Adjust the handle assembly to properly mate with the latching assembly. Adjusting gate and gate hinge may be required.



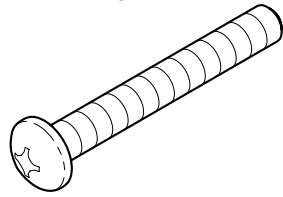


ArtFull

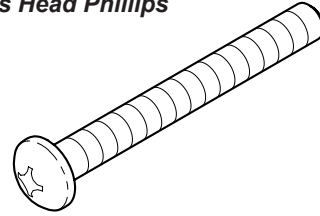
**Step 14:**  
Remove film from panels on Kennel run when installation is completed.

# Hardware for Multiple Freestanding Units

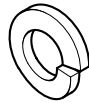
**1/4-20 x 1-1/2"  
Truss Head Phillips**



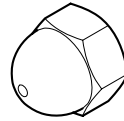
**1/4-20 x 1-3/4"  
Truss Head Phillips**



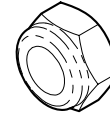
**1/4" Split  
Lock Washer**



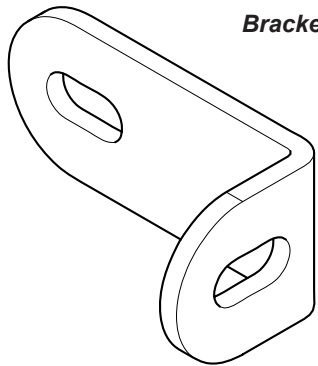
**1/4"  
Acorn Nut**



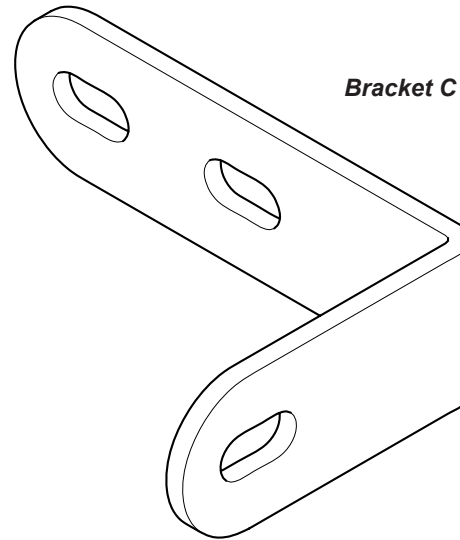
**1/4-20  
Locking Nut**



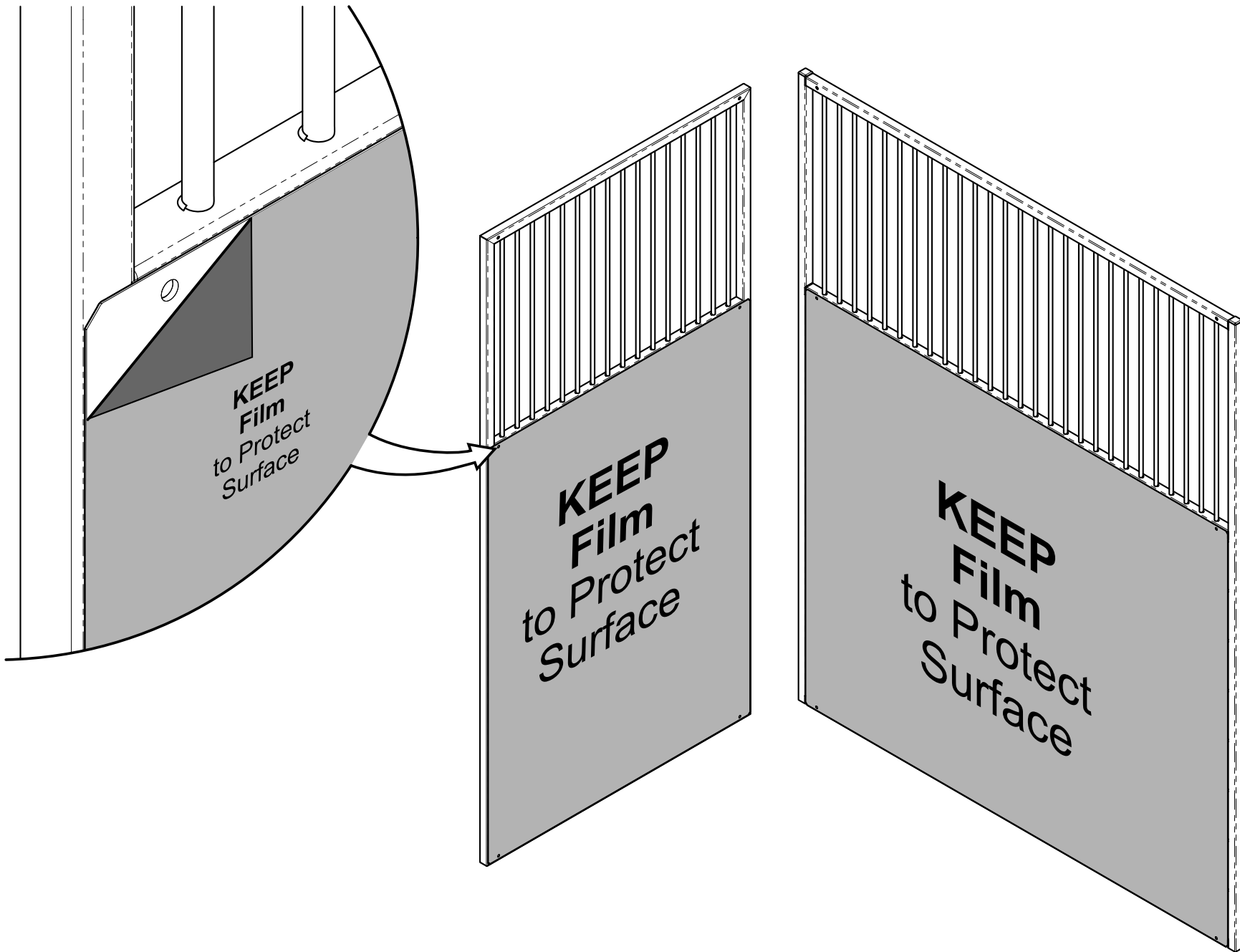
**Bracket D**



**Bracket C**



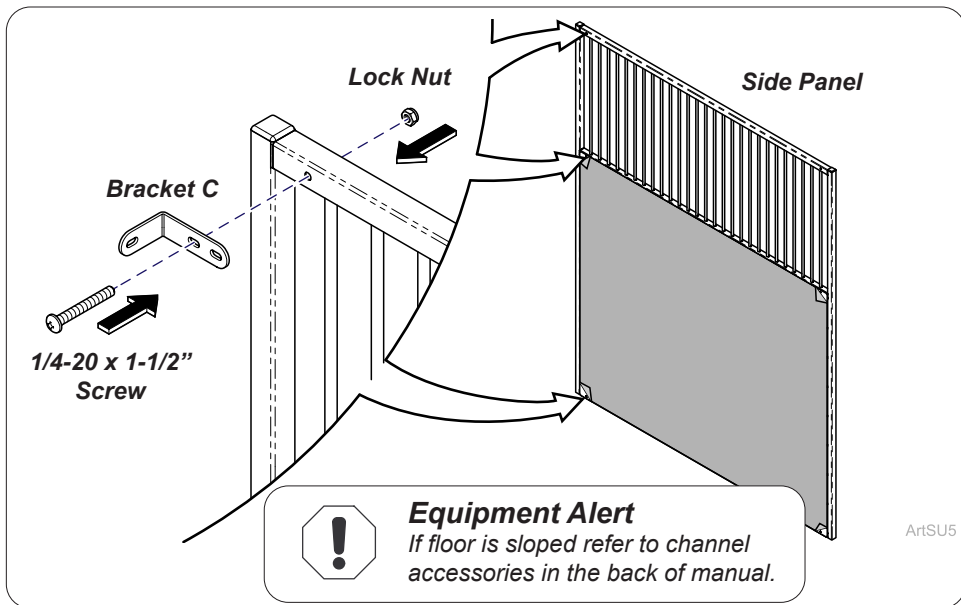
ArtFull



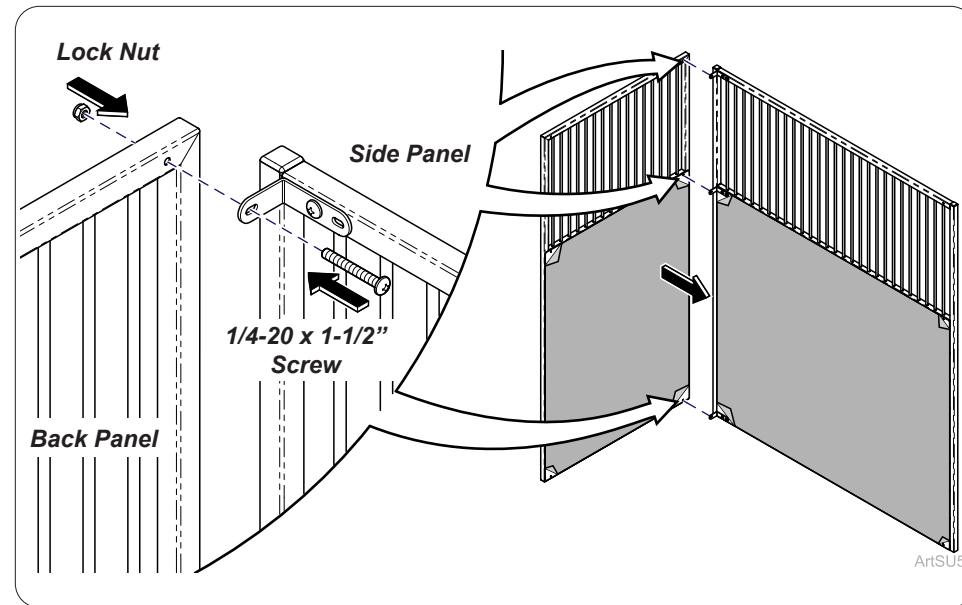
### Step 1: Exposing Panel Holes

Remove film **ONLY** from around panel holes for installation of kennel runs to prevent scratches on panels.

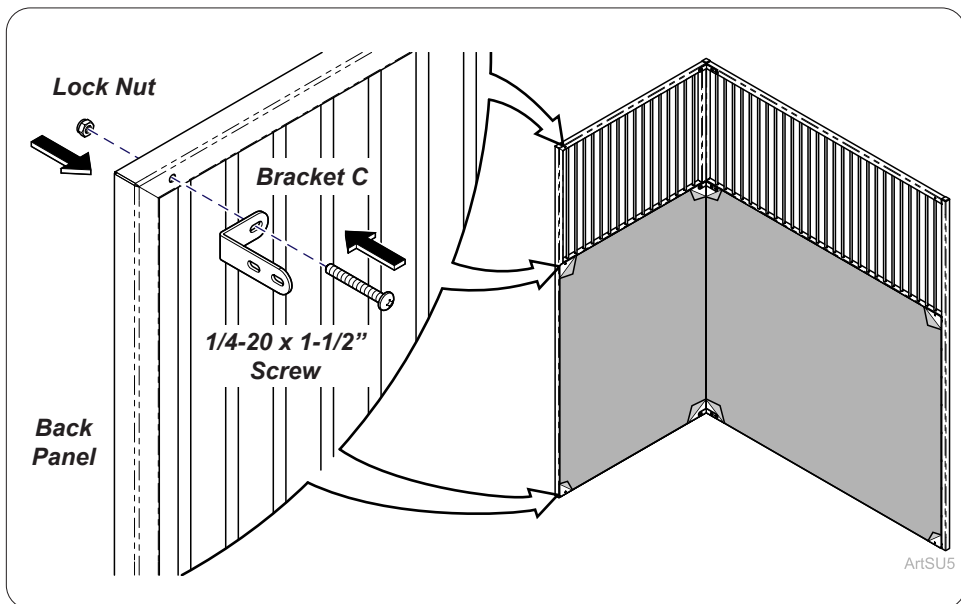
ArtFull



**Step 2:**  
 Install Bracket C(3) loosely in top, middle and bottom of side panel with 1/4-20 x 1-1/2" screw and lock nut. Hand tighten.  
*Note: Midmark recommends multiple installers to lift.*



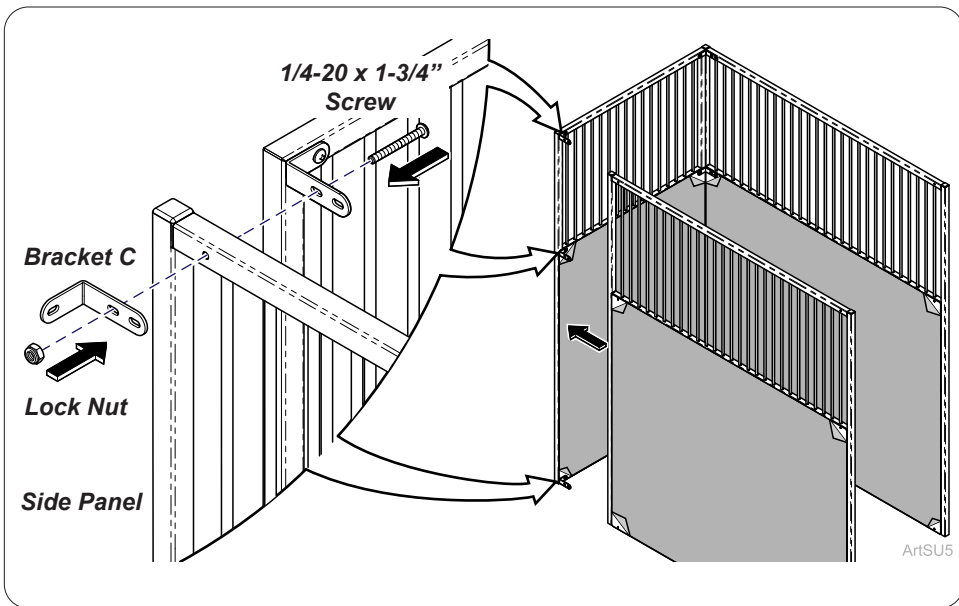
**Step 3:**  
 Install back panel loosely to Bracket C attached to side panel with 1/4-20 x 1-1/2" screws (3) and lock nuts (3). Hand tighten.



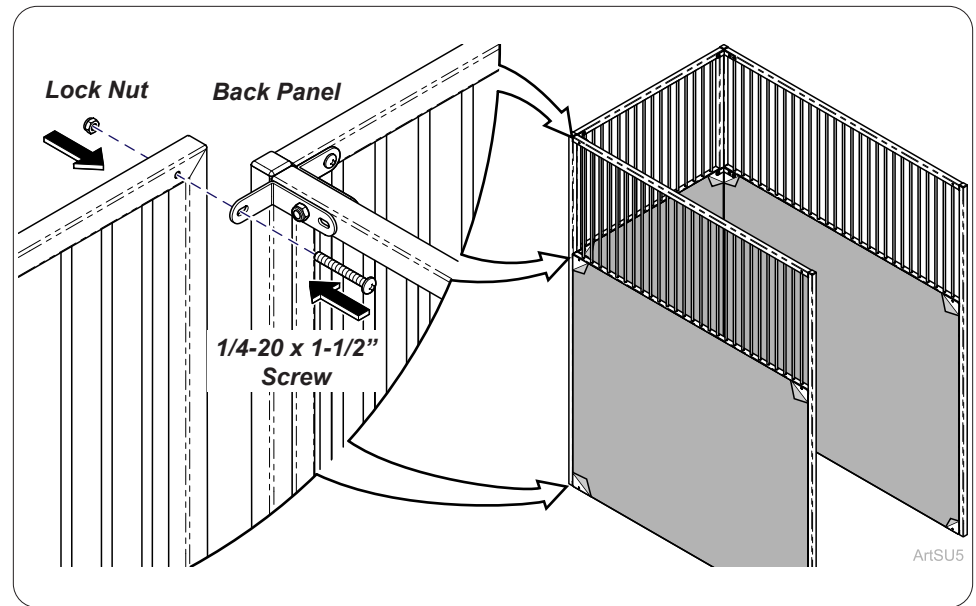
**Step 4:**  
 Install Bracket C(3) loosely in top, middle and bottom of back panel with 1/4-20 x 1-1/2" screw and lock nut. Hand tighten.

**Equipment Alert**  
 If floor is sloped refer to channel accessories in the back of manual.

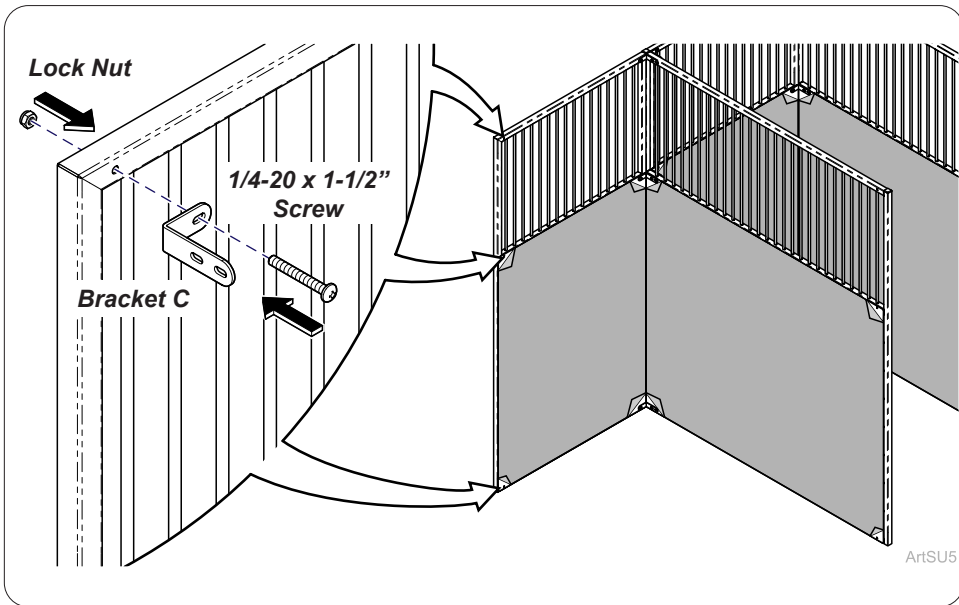
TP201 Rev. A



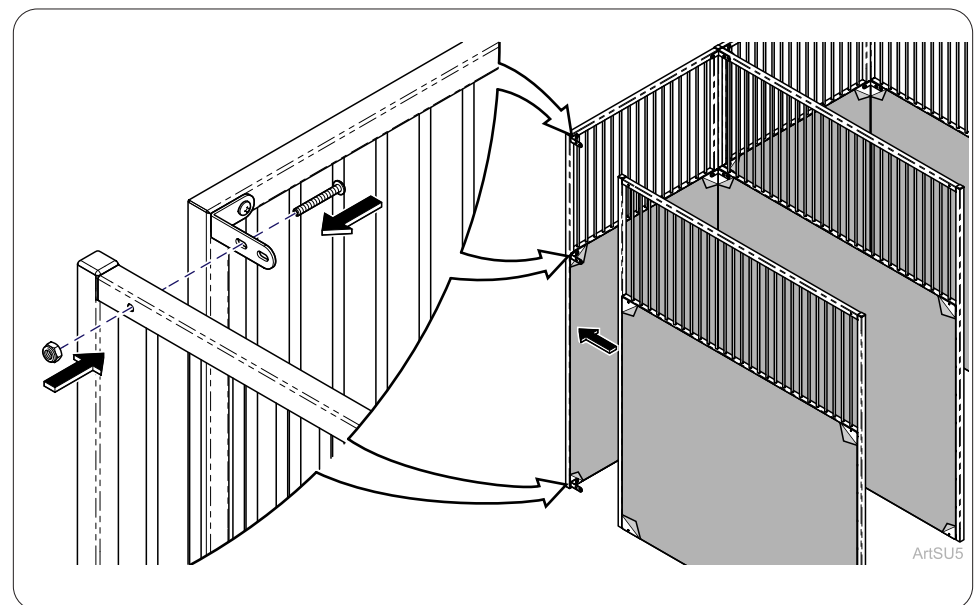
**Step 5:**  
Install side panel and Bracket C (3) loosely to Bracket C attached to back panel with 1/4-20 x 1-3/4" screws (3) and lock nuts (3). Hand tighten.



**Step 6:**  
Install back panel loosely to Bracket C attached to side panel with 1/4-20 x 1-1/2" screws (3) and lock nuts (3). Hand tighten.

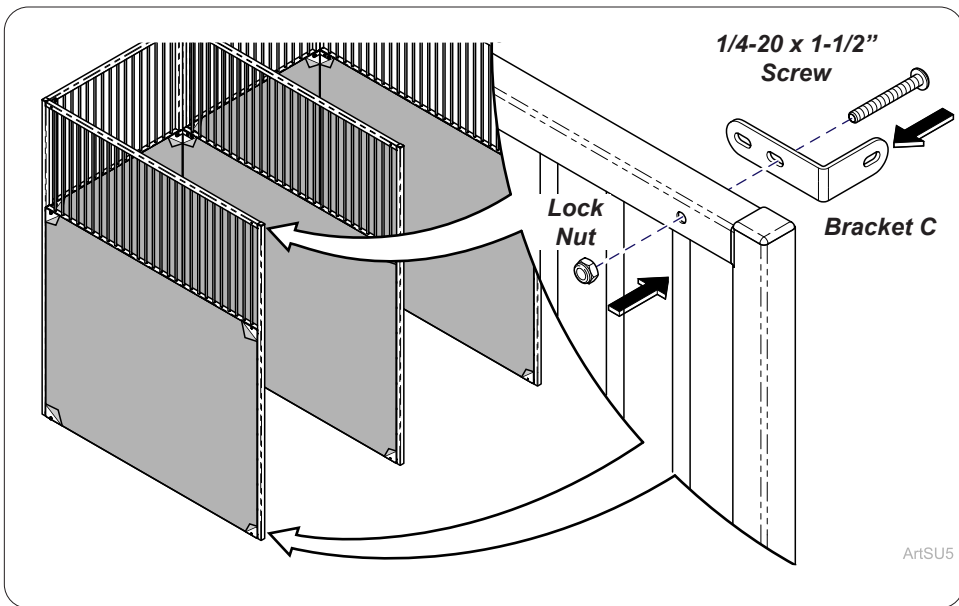


**Step 7: Kennel Run Units**  
Install Bracket C (3) loosely in top, middle and bottom of back panel with 1/4-20 x 1-1/2" screw and lock nut. Hand tighten.

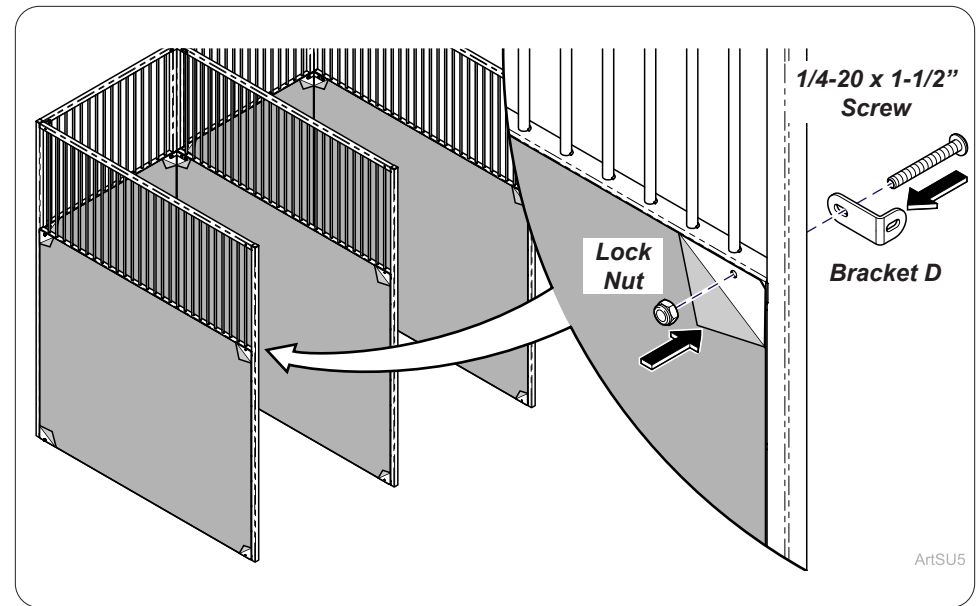


**Step 8: End of Kennel Run**  
Install side panel loosely to Bracket C attached to back panel with 1/4-20 x 1-1/2" screws (3) and lock nuts (3). Hand tighten.

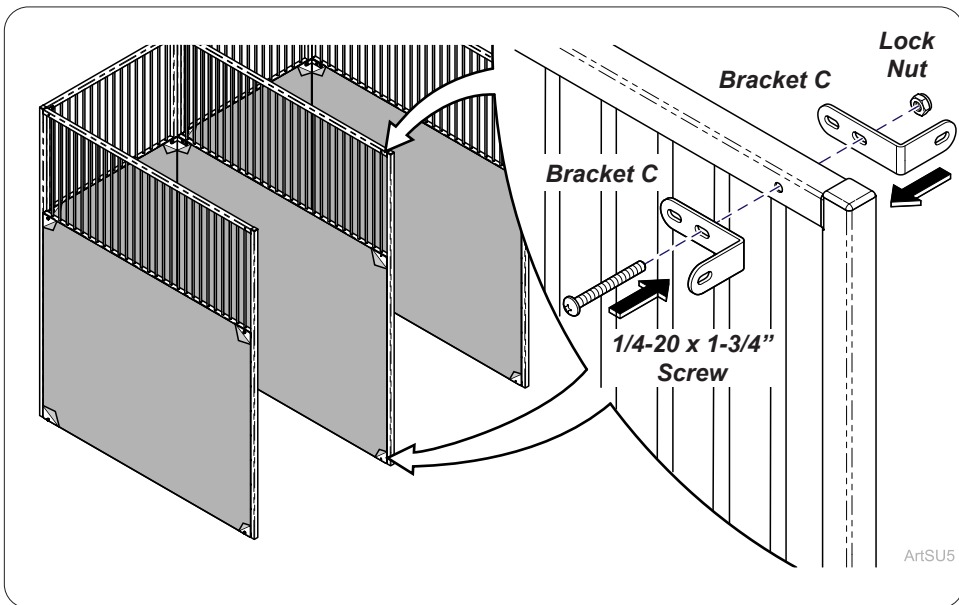
*Note: Repeat steps 5, 6 and 7 as needed to finish installing Kennel Run Units.*



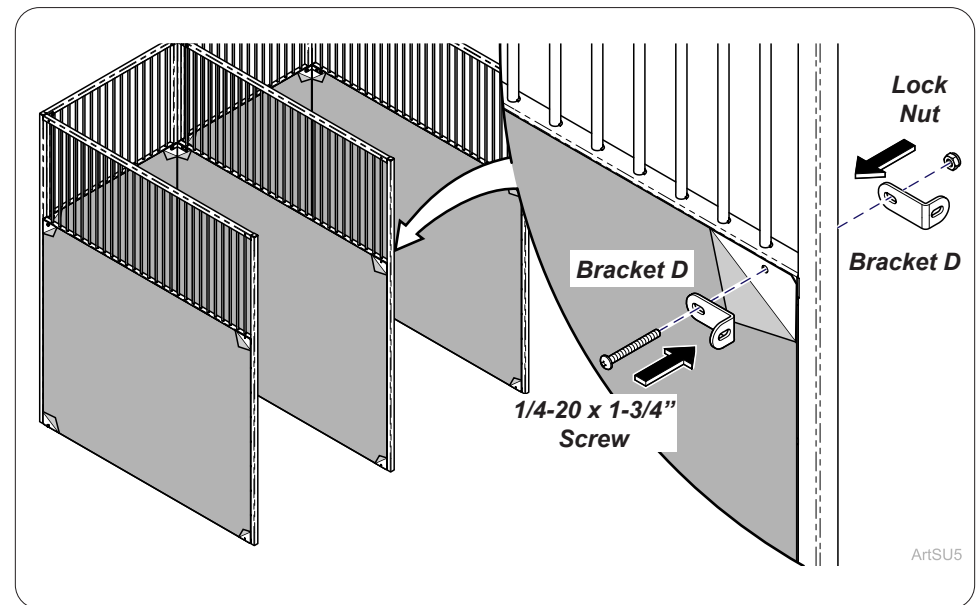
**Step 9:**  
Install Bracket C (2) to side panels on top and bottom corners with 1/4-20 x 1-1/2" screws and lock nuts. Hand tighten.



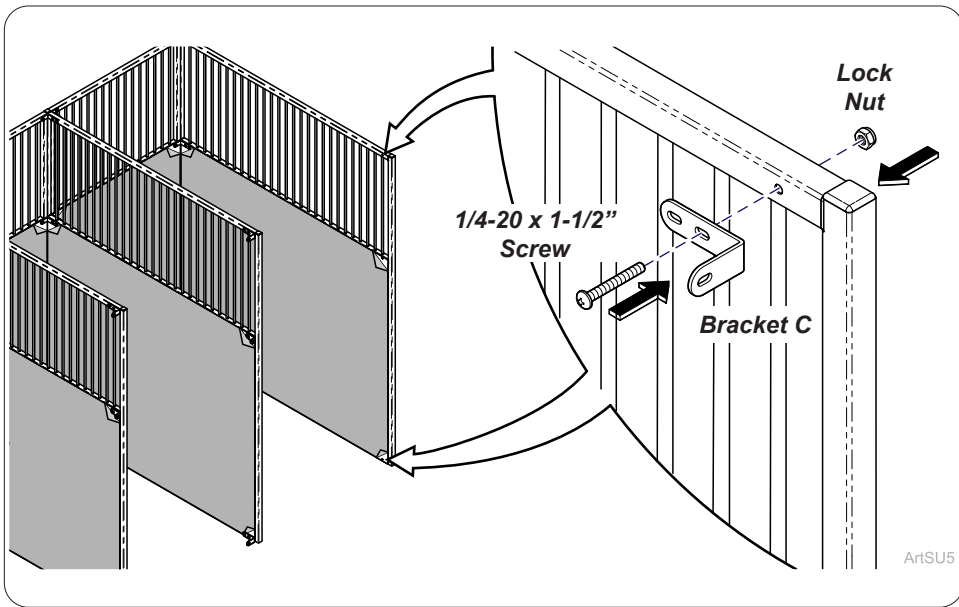
**Step 10:**  
Install Bracket D (1) to middle of side panels with 1/4-20 x 1-1/2" screw and lock nut. Hand tighten.



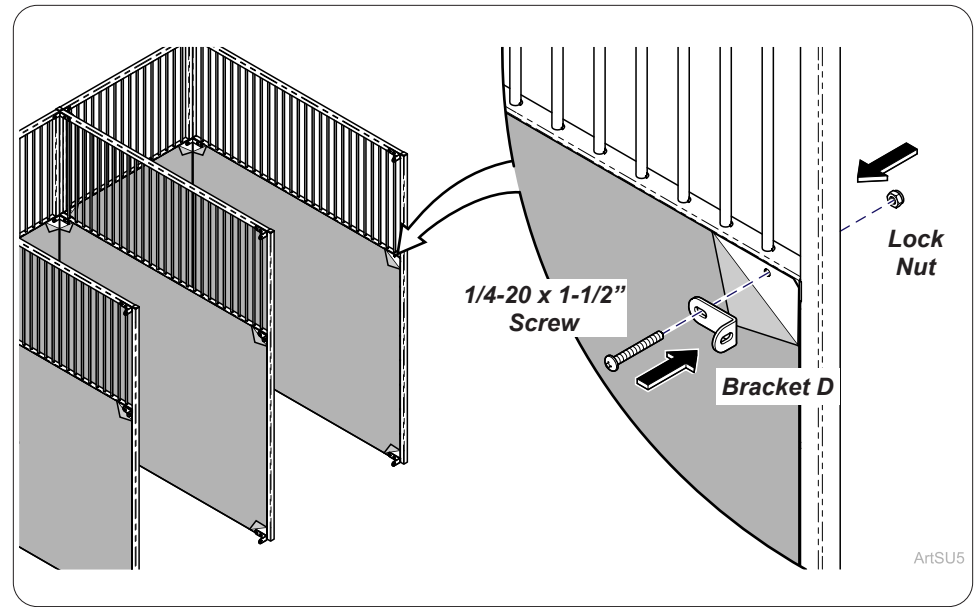
**Step 11:**  
Install Bracket C (4) to side panels on top and bottom corners with 1/4-20 x 1-3/4" screw and lock nut. Hand tighten.



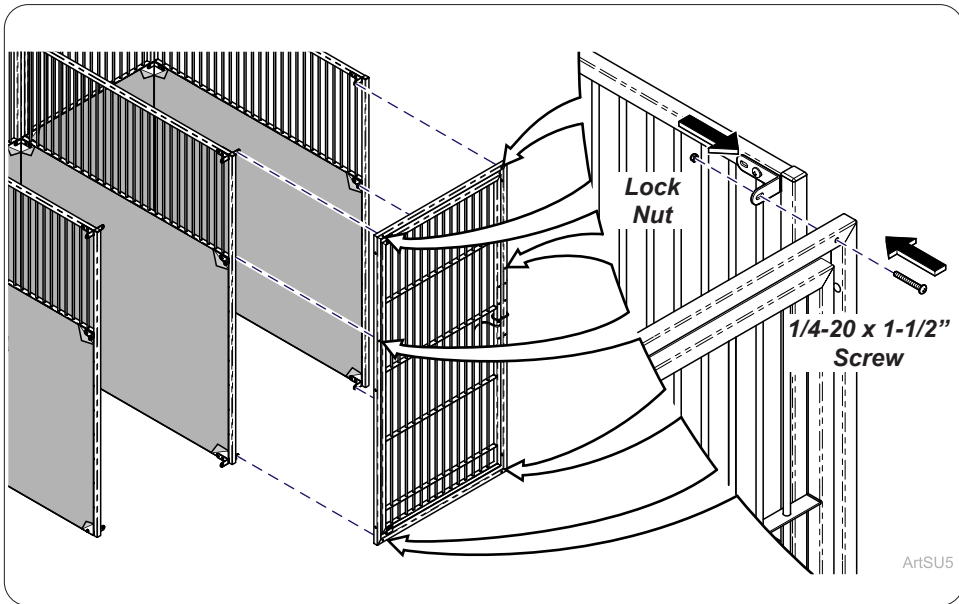
**Step 12:**  
Install Bracket D (2) to side panels on top and bottom corners with 1/4-20 x 1-3/4" screw and lock nut. Hand tighten.  
*Note: Repeat steps 11 and 12 as needed.*



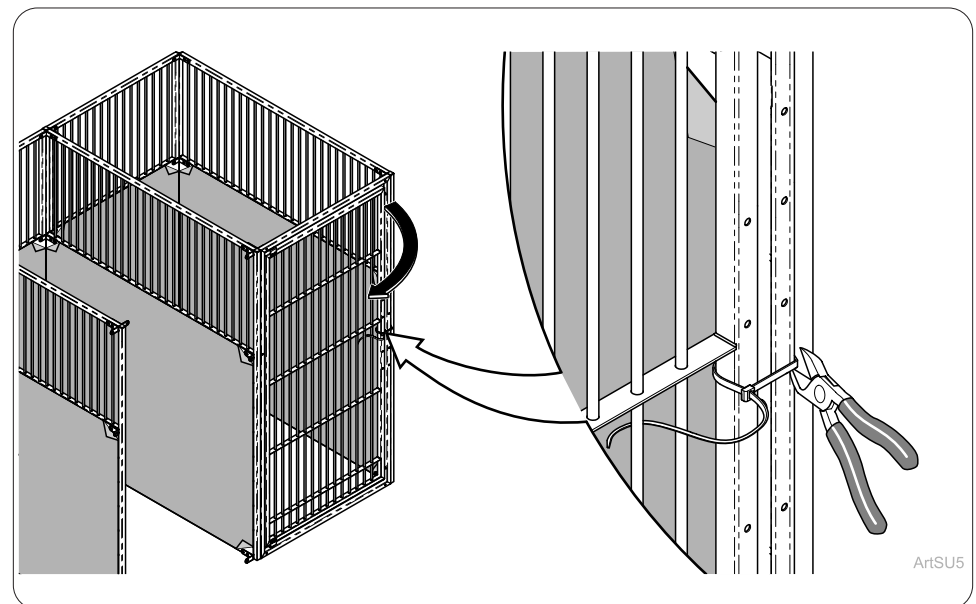
**Step 13:**  
Install Bracket C (2) loosely to side panel top and bottom with 1/4-20 x 1-1/2" screw and lock nut. Hand tighten.



**Step 14:**  
Install Bracket D (1) loosely to side panel in middle with 1/4-20 x 1-1/2" screw and lock nut. Hand tighten.

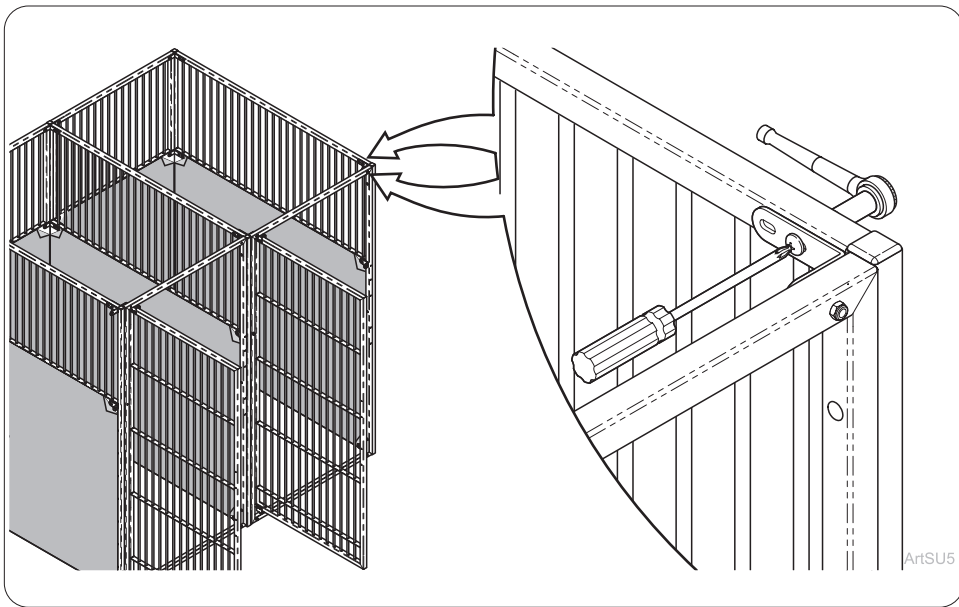


**Step 15:**  
Install Gate Assembly to front of Kennel with 1/4-20 x 1-1/2" screws (6) and lock nuts (6). Hand tighten.

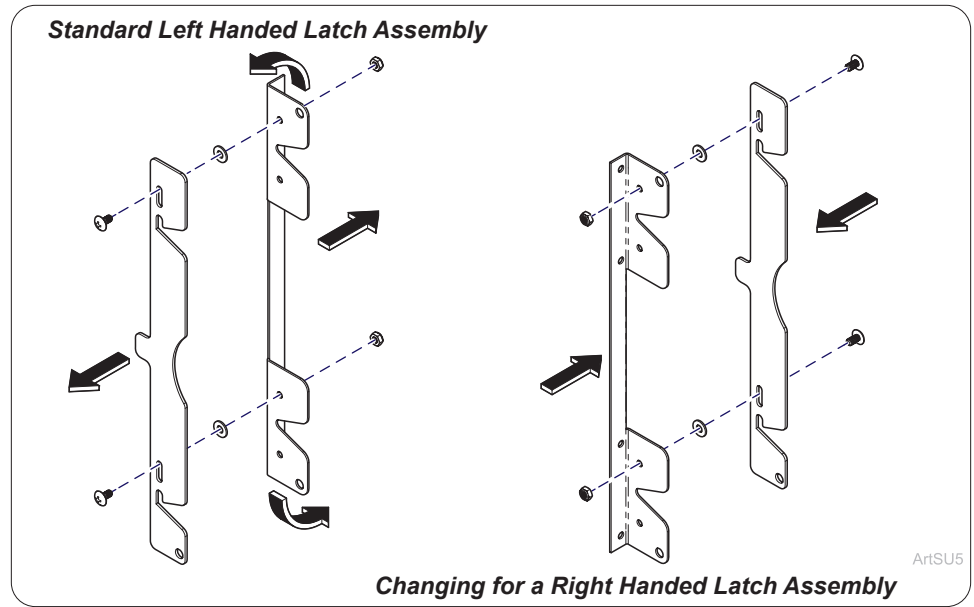


**Step 16:**  
Remove Zip Tie from gate and open door.

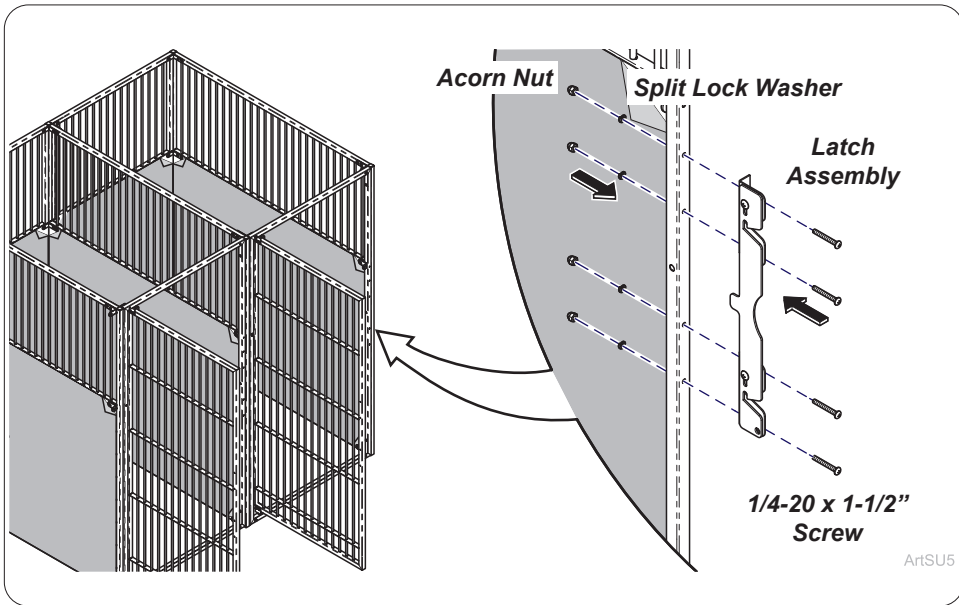
*Note: Repeat steps 15 and 16 as needed.*



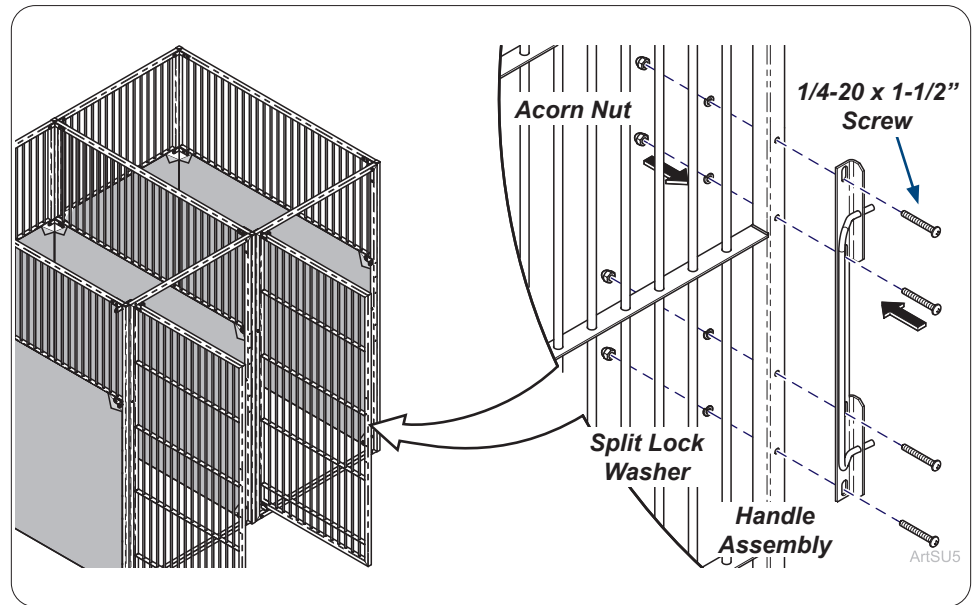
**Step 17:**  
Tighten all screws and lock nuts in brackets.



**Step 18: Flip Latch Assembly (if necessary)**  
To create right handed latch assembly remove latch plate from latch. Rotate 180° and reassemble as shown.



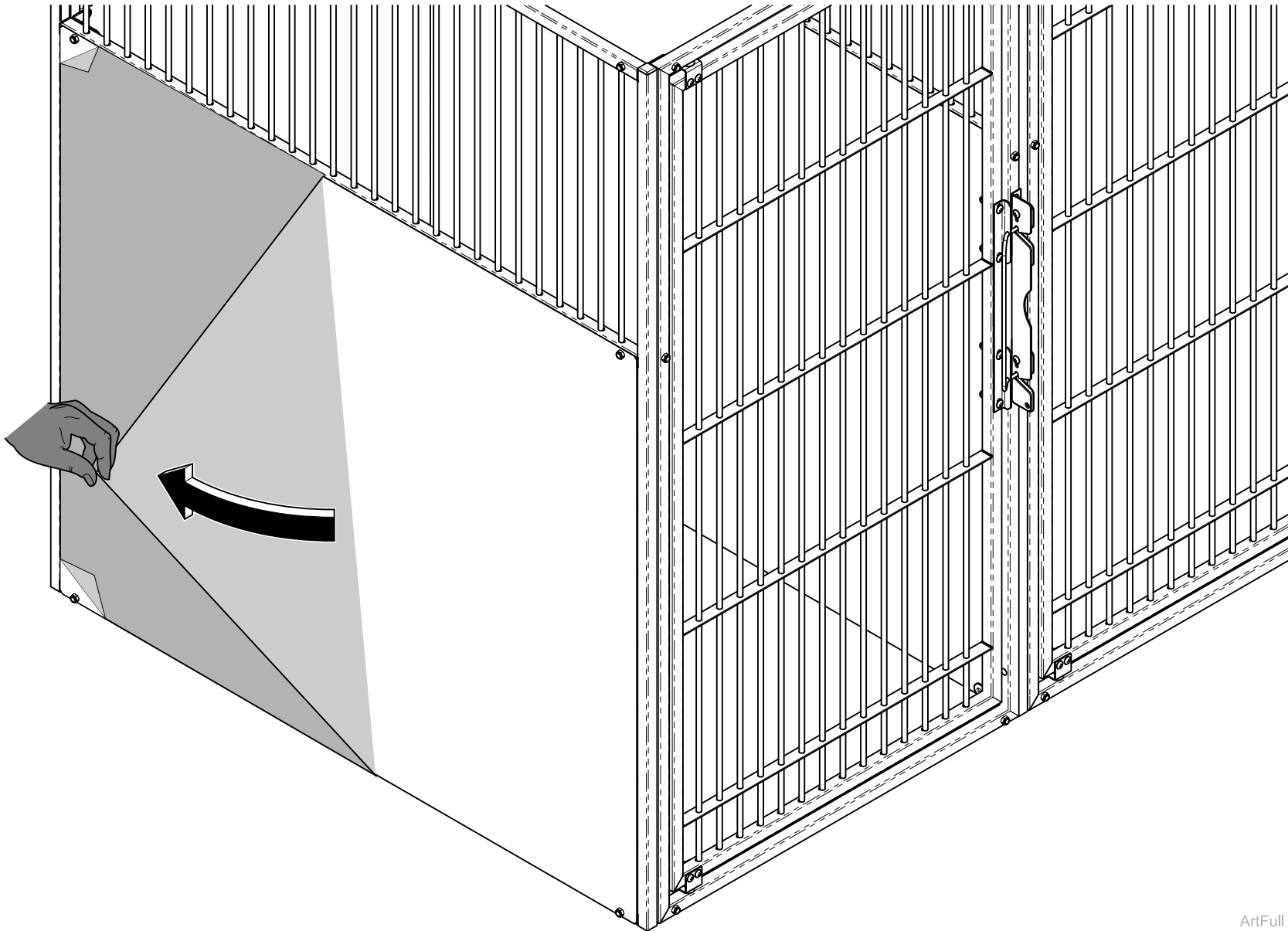
**Step 19:**  
Install latch assembly to front of gate frame with 1/4-20 x 1-1/2" screws (4), split lock washers (4) and acorn nuts (4).



**Step 20:**  
Install handle assembly to front of gate with 1/4-20 x 1-1/2" screws (4), split lock washers (4) and acorn nuts (4). Adjust the handle assembly to properly mate with the latching assembly. Adjusting gate and gate hinge may be required.

TP201 Rev. A



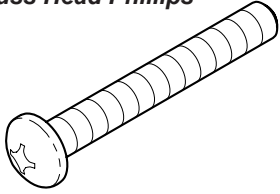


ArtFull

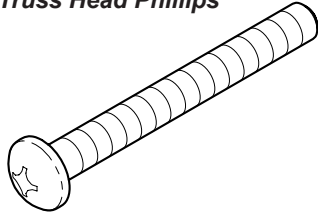
**Step 21:**  
Remove film from panels on Kennel run when installation is completed.

# Hardware for Raised Kennel Run Units

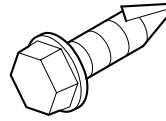
1/4-20 x 1-1/2"  
Truss Head Phillips



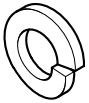
1/4-20 x 1-3/4"  
Truss Head Phillips



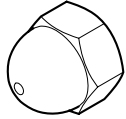
#10 Self  
Drill/Tap  
Screw



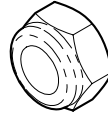
1/4" Split  
Lock Washer



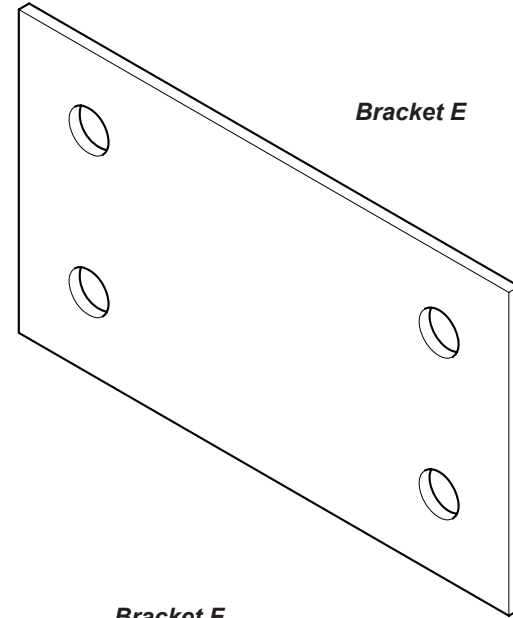
1/4"  
Acorn Nut



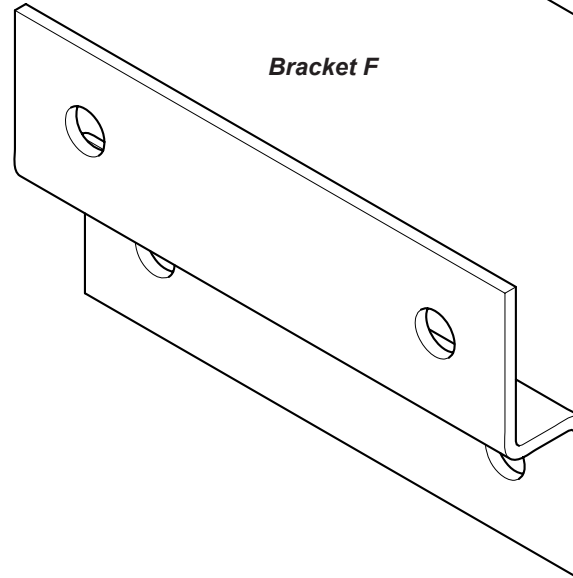
1/4-20  
Locking Nut



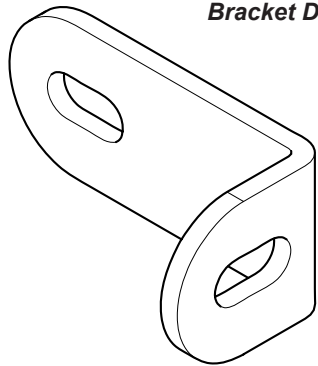
Bracket E



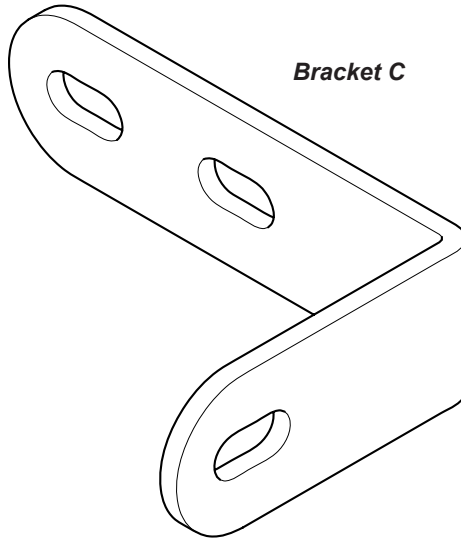
Bracket F



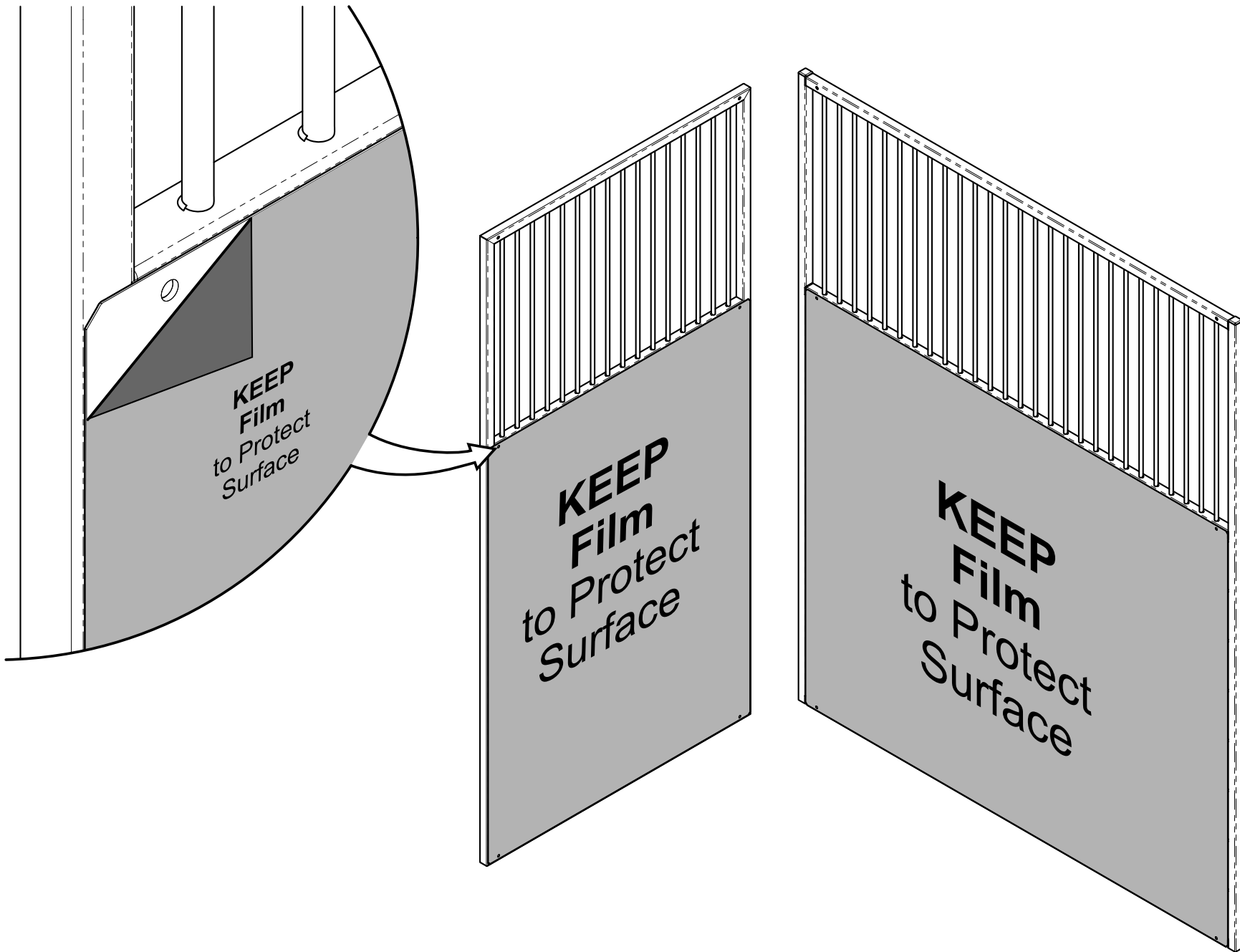
Bracket D



Bracket C



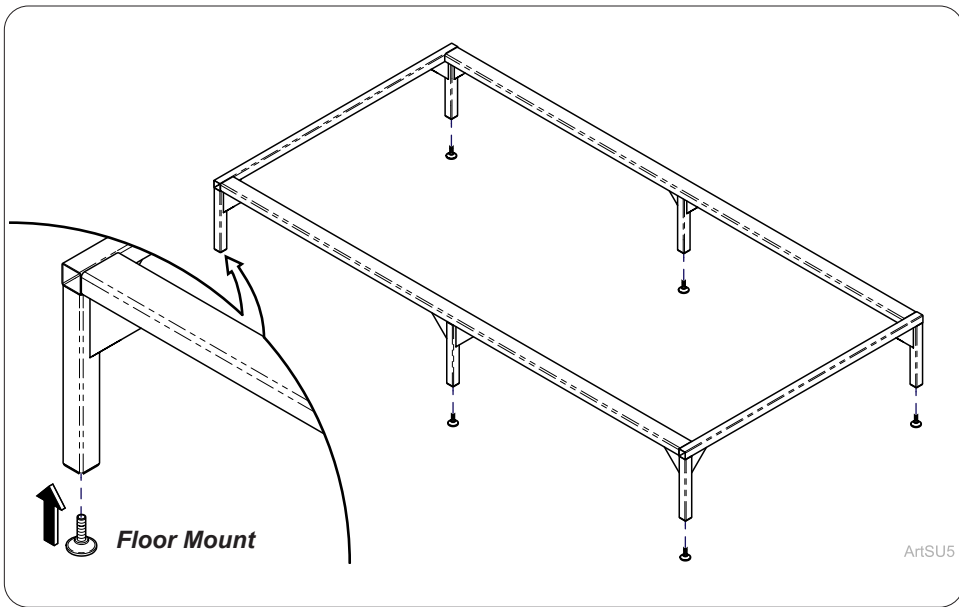
ArtFull



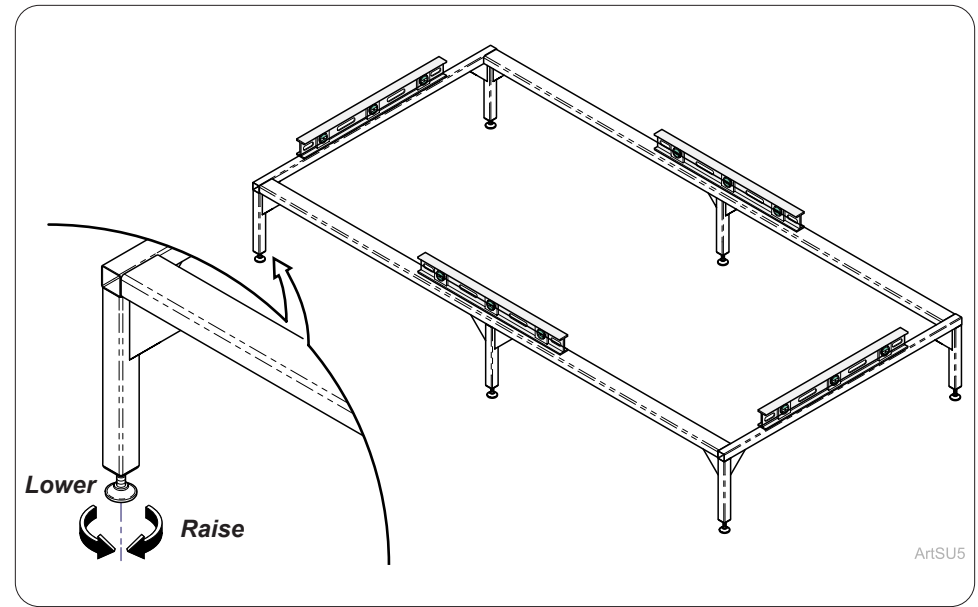
### Step 1: Exposing Panel Holes

Remove film **ONLY** from around panel holes for installation of kennel runs to prevent scratches on panels.

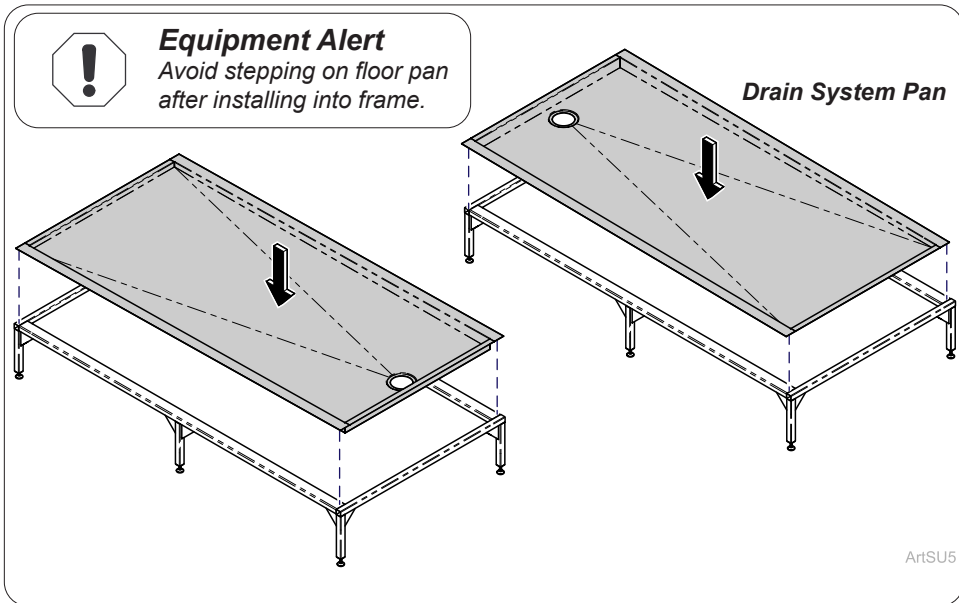
ArtFull



**Step 2:**  
Screw leveling floor mounts into threaded inserts in all legs of floor frame.

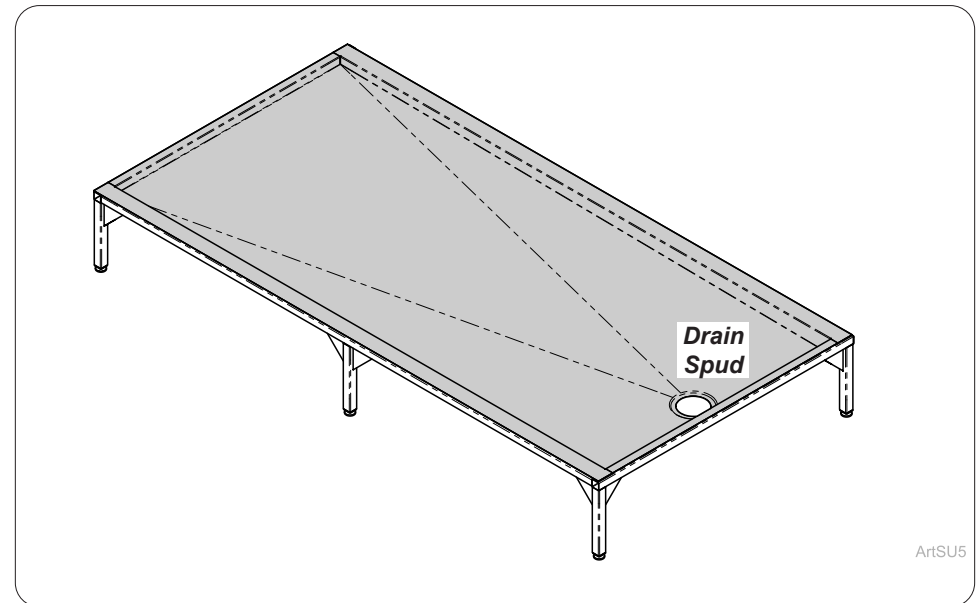


**Step 3:**  
Place floor frame into position and level by raising or lowering floor mounts.



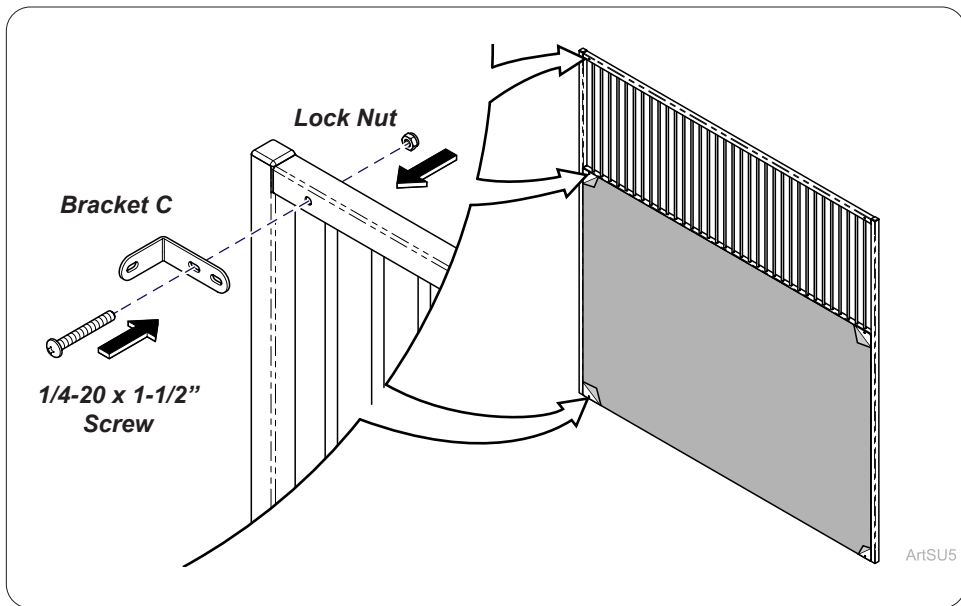
**Step 4:**  
Lay drain system pan on to frame. Position drain opening to match plumbing.

*Note: Drain spud may be installed front or back.*

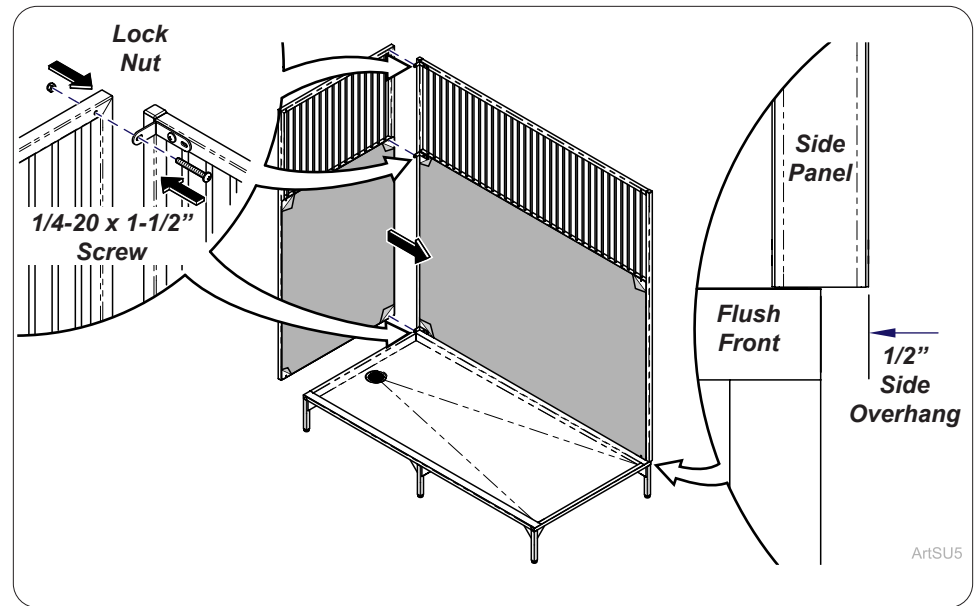


**Step 5:**  
Install drain basket (not supplied) into drain spud and finish plumbing.

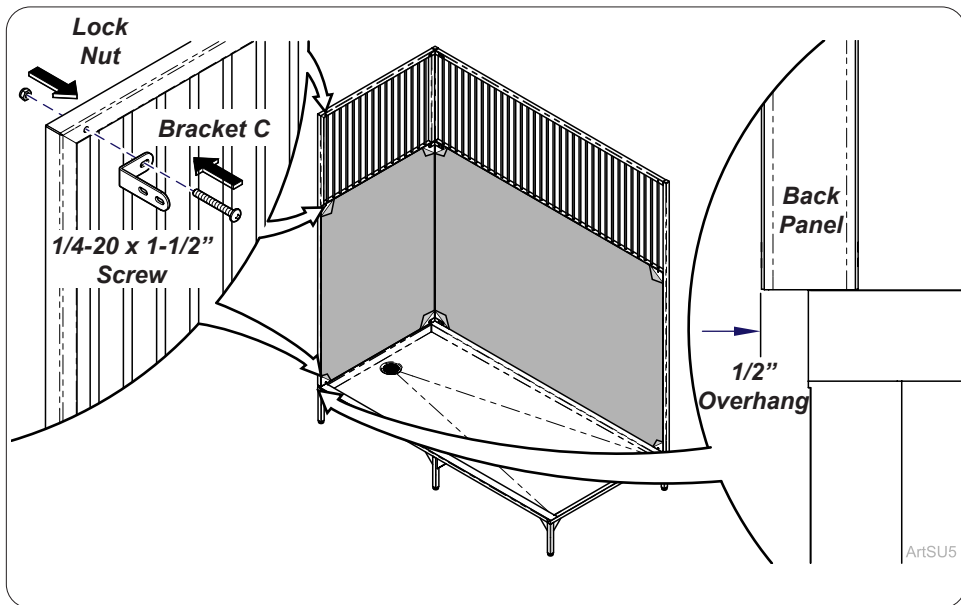
TP201 Rev. A



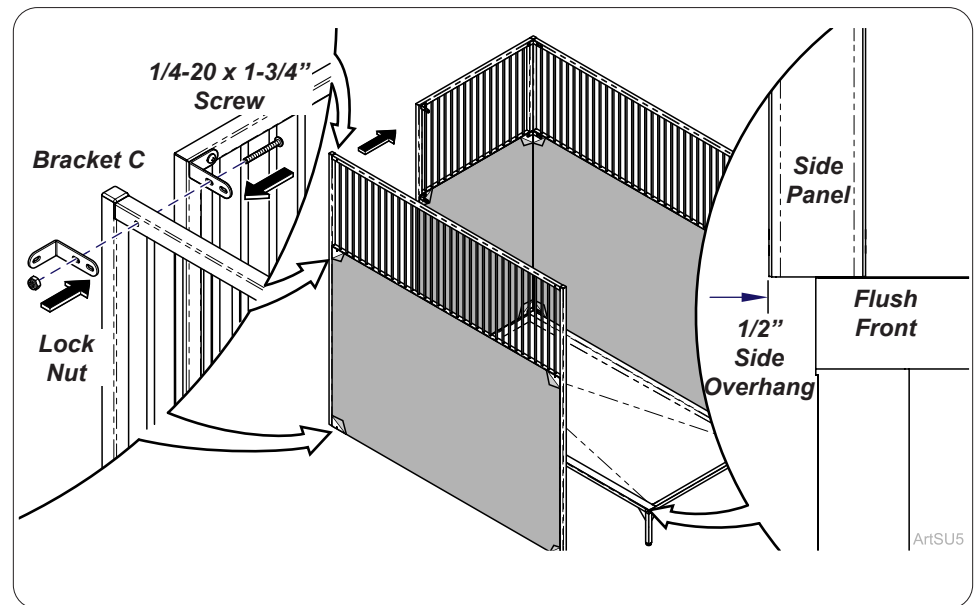
**Step 6:**  
 Install Bracket C(3) loosely in top, middle and bottom of side panel with 1/4-20 x 1-1/2" screw and lock nut. Hand tighten.  
*Note: Midmark recommends multiple installers to lift.*



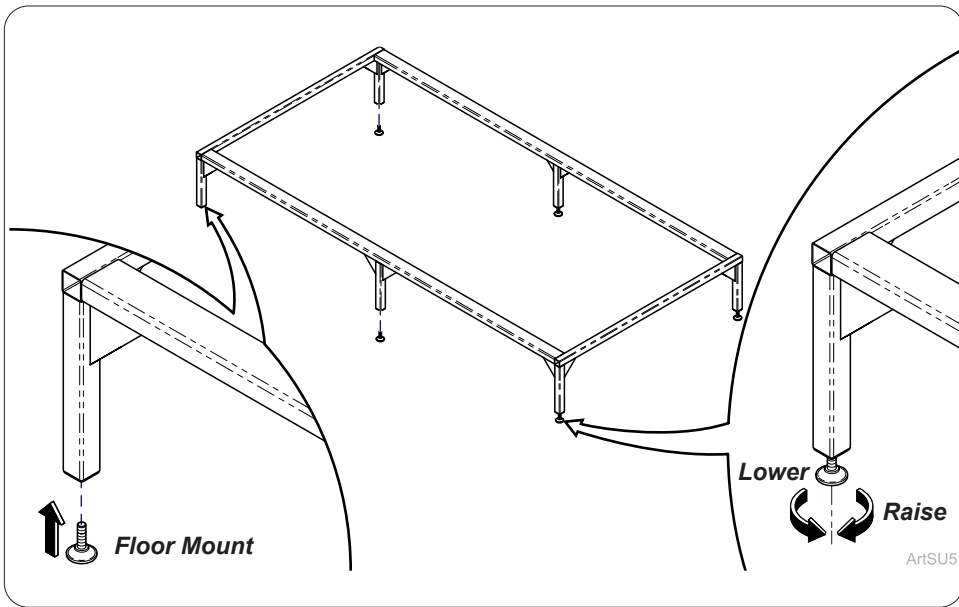
**Step 7:**  
 Install back panel loosely to Bracket C attached to side panel with 1/4-20 x 1-1/2" screws (3) and lock nuts (3). Hand tighten. Position panels on floor frame.



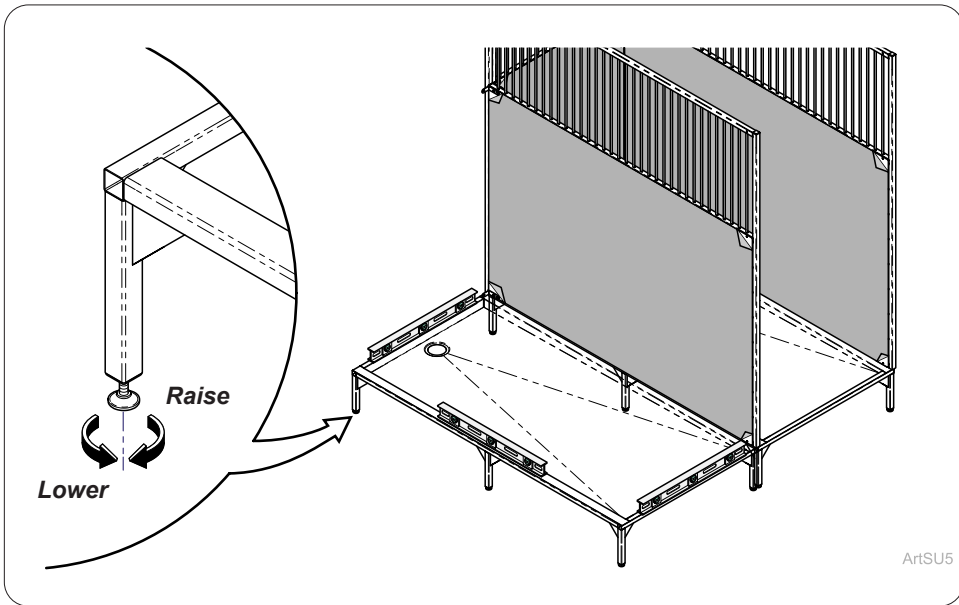
**Step 8:**  
 Install Bracket C(3) loosely in top, middle and bottom of back panel with 1/4-20 x 1-1/2" screw and lock nut. Hand tighten.



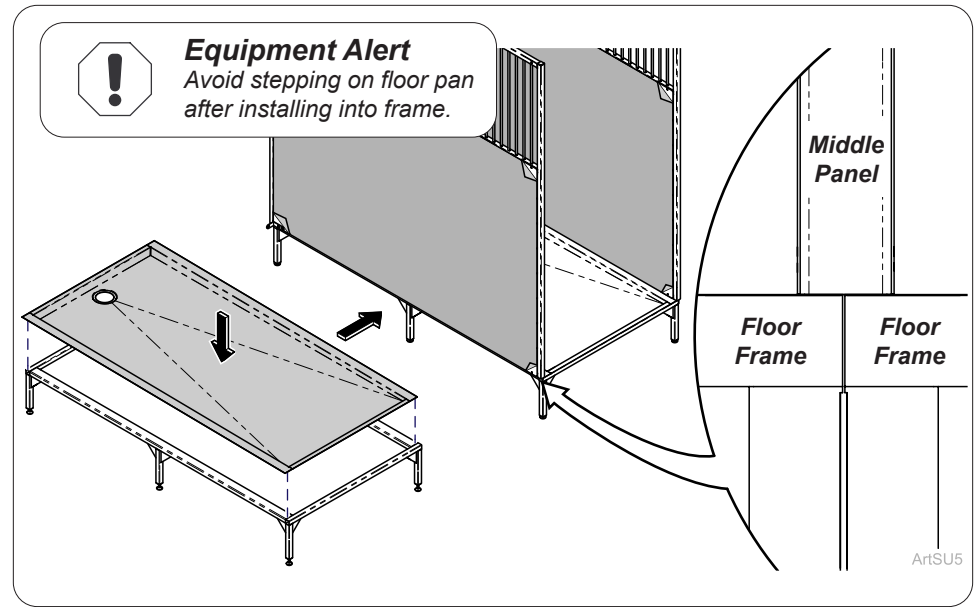
**Step 9:**  
 Install side panel and Bracket C (3) loosely to Bracket C attached to back panel with 1/4-20 x 1-3/4" screws (3) and lock nuts (3). Hand tighten.



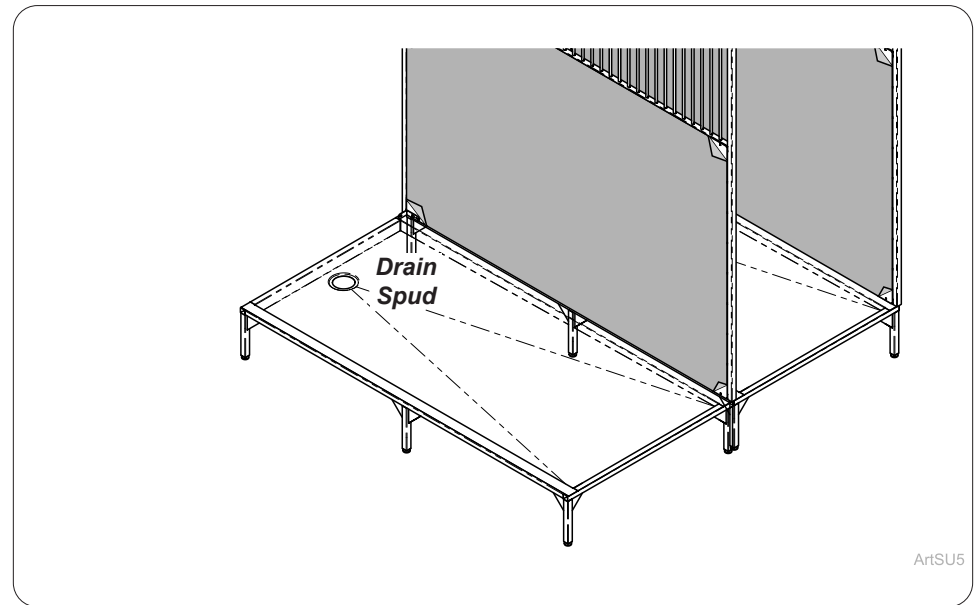
**Step 10:**  
Screw leveling floor mounts into threaded inserts in all legs of floor frame. Place floor frame into position and level by raising or lowering floor mounts.



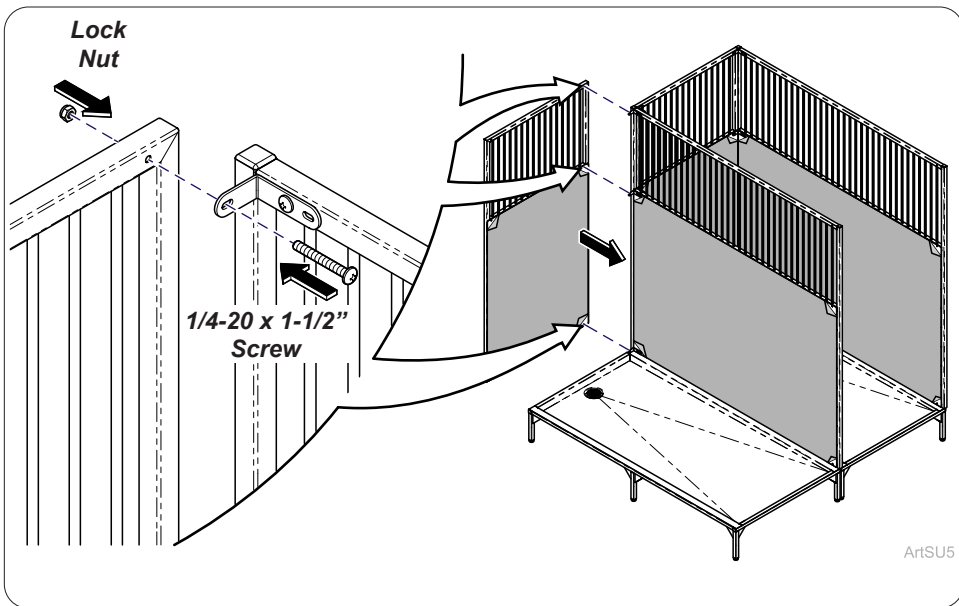
**Step 12:**  
Ensure floor frame is level by raising or lowering floor mounts.



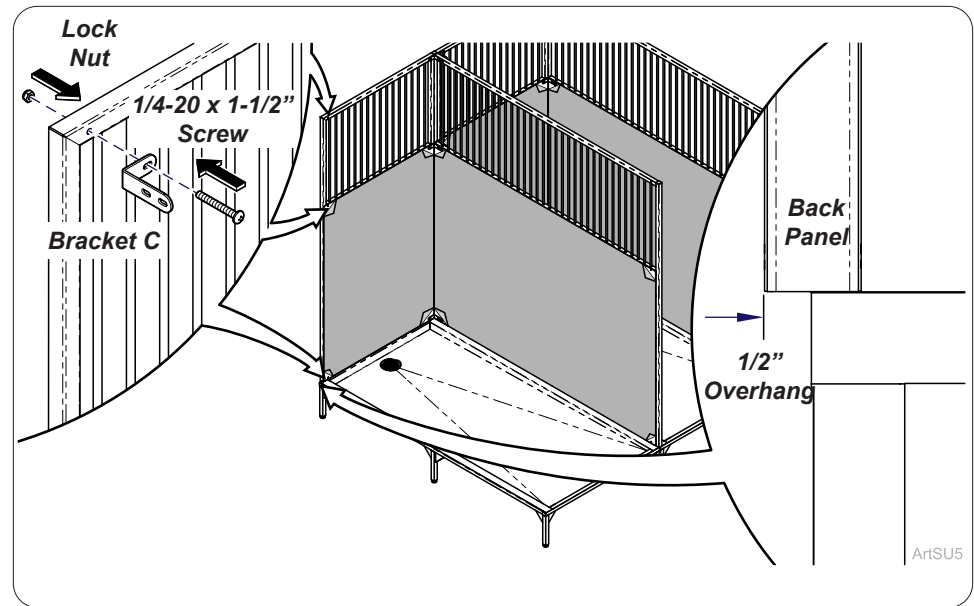
**Step 11:**  
Lay drain system pan on to frame. Position drain opening to match plumbing. Install drain basket into drain spud and finish plumbing.



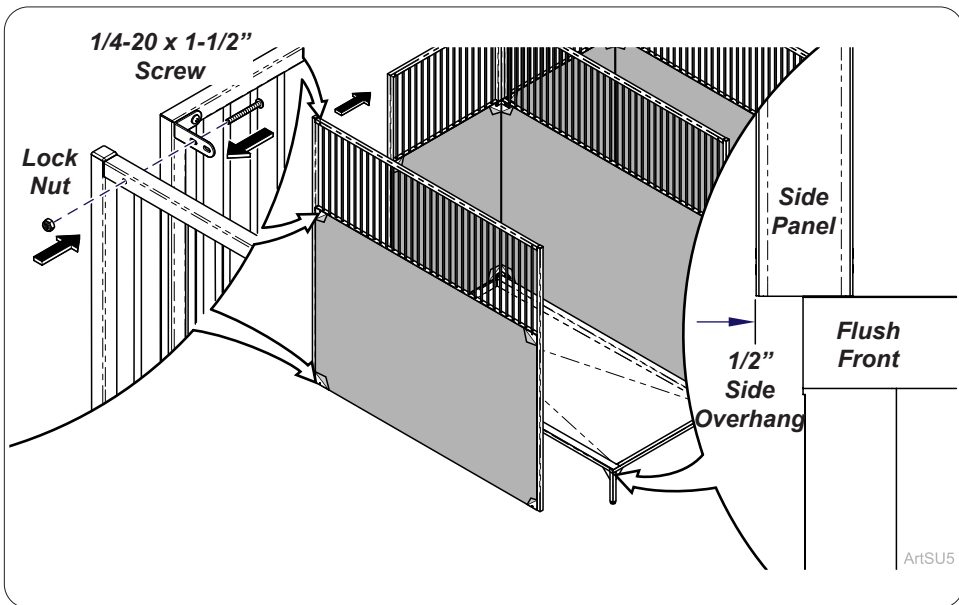
**Step 13:**  
Install drain basket (not supplied) into drain spud and finish plumbing.



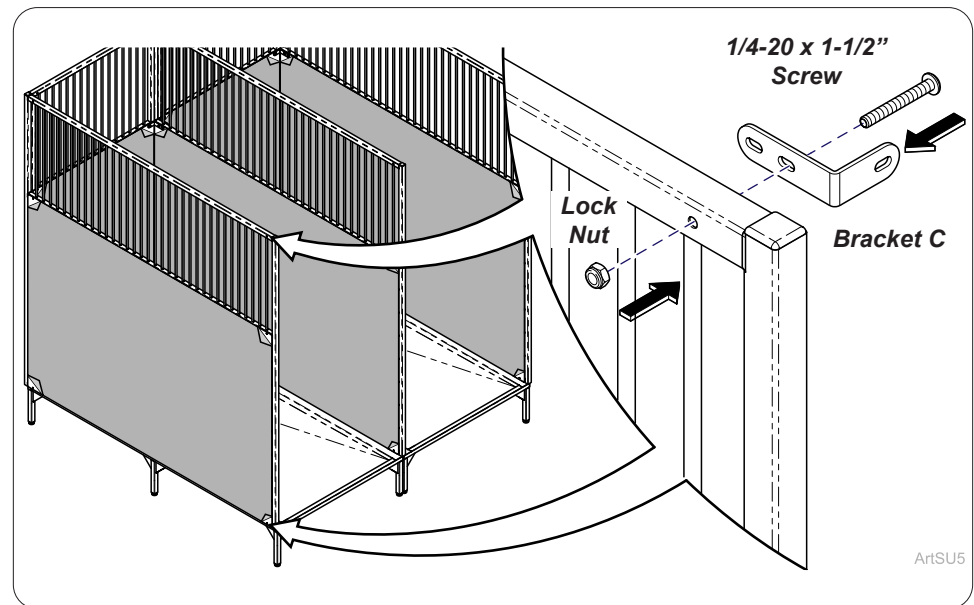
**Step 14:**  
Install back panel loosely to Bracket C attached to side panel with 1/4-20 x 1-1/2" screws (3) and lock nuts (3). Hand tighten.



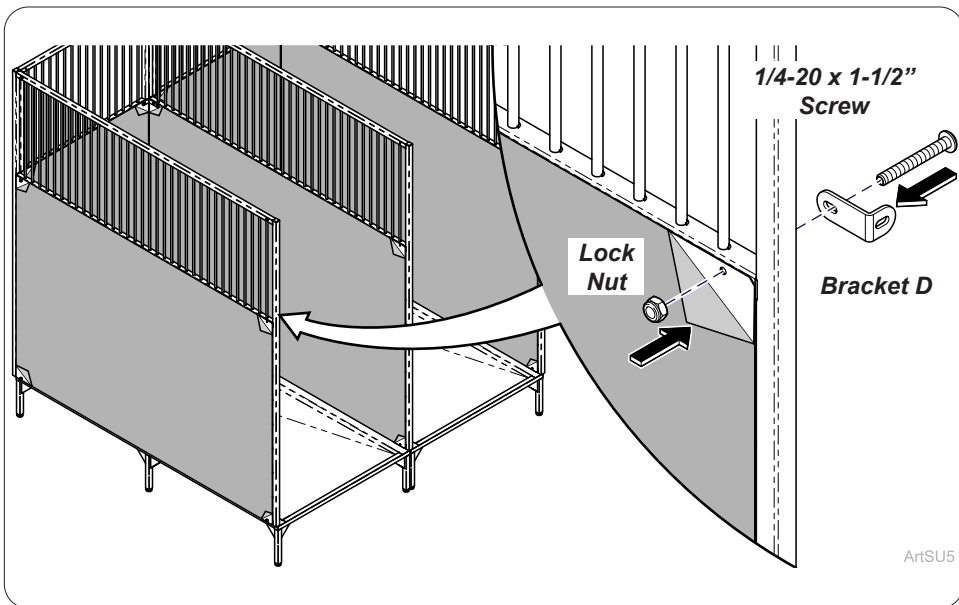
**Step 15:**  
Install Bracket C(3) loosely in top, middle and bottom of back panel with 1/4-20 x 1-1/2" screw and lock nut. Hand tighten.  
*Note: Repeat steps 8 through 14 as needed to finish installing Kennel Run Units.*



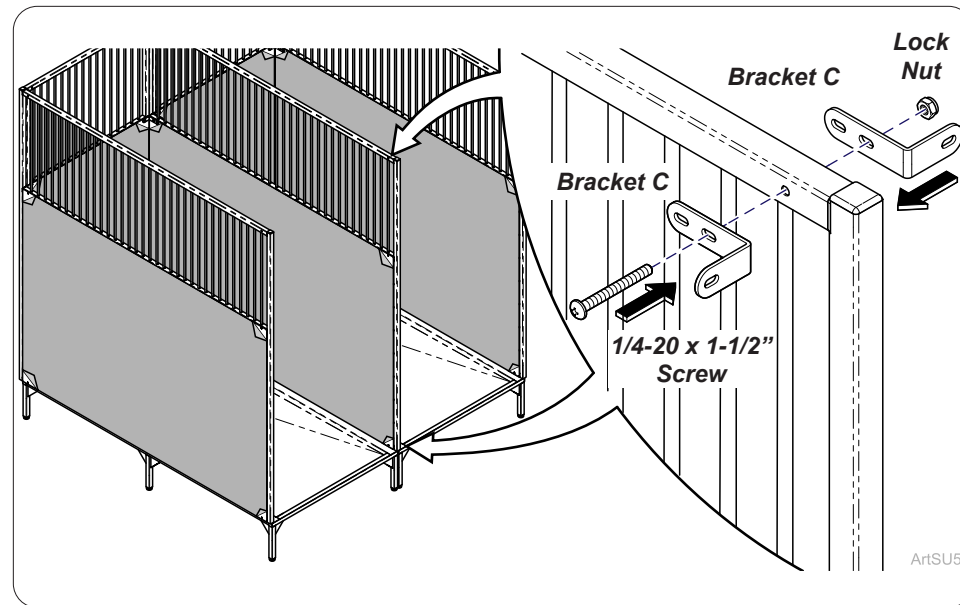
**Step 16:**  
Install side panel loosely to Bracket C attached to back panel with 1/4-20 x 1-1/2" screws (3) and lock nuts (3). Hand tighten.



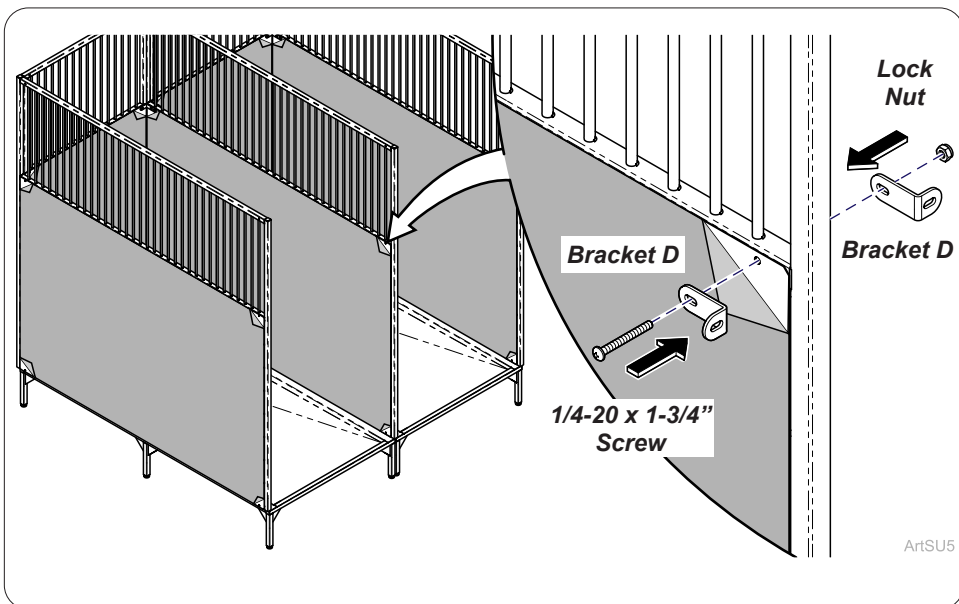
**Step 17:**  
Install Bracket C (2) to side panels on top and bottom corners with 1/4-20 x 1-1/2" screw and lock nut. Hand tighten.



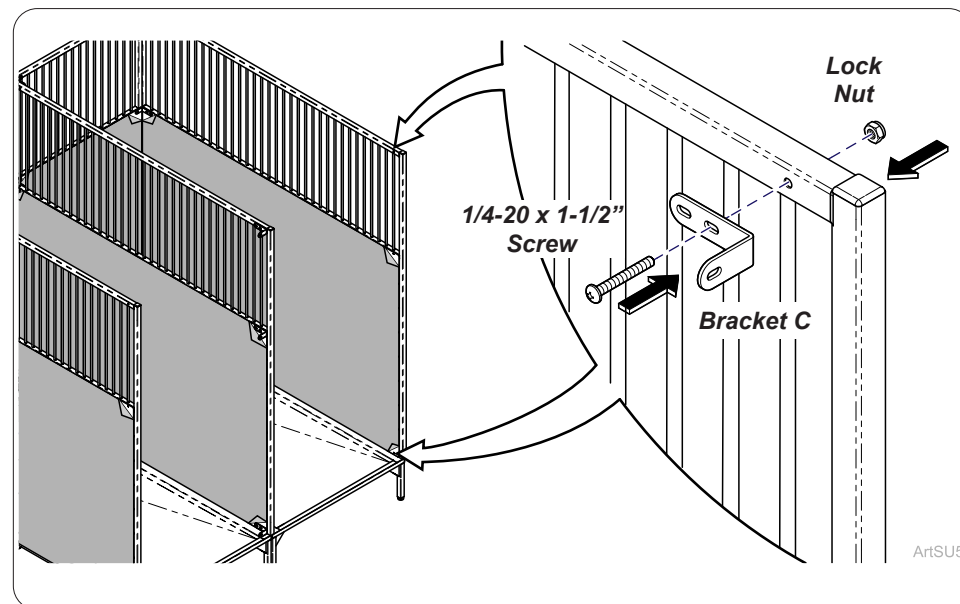
**Step 18:**  
Install Bracket D (1) to middle of side panels with 1/4-20 x 1-1/2" screw and lock nut. Hand tighten.



**Step 19:**  
Install Bracket C (4) to side panels on top and bottom corners with 1/4-20 x 1-3/4" screw and lock nut. Hand tighten.

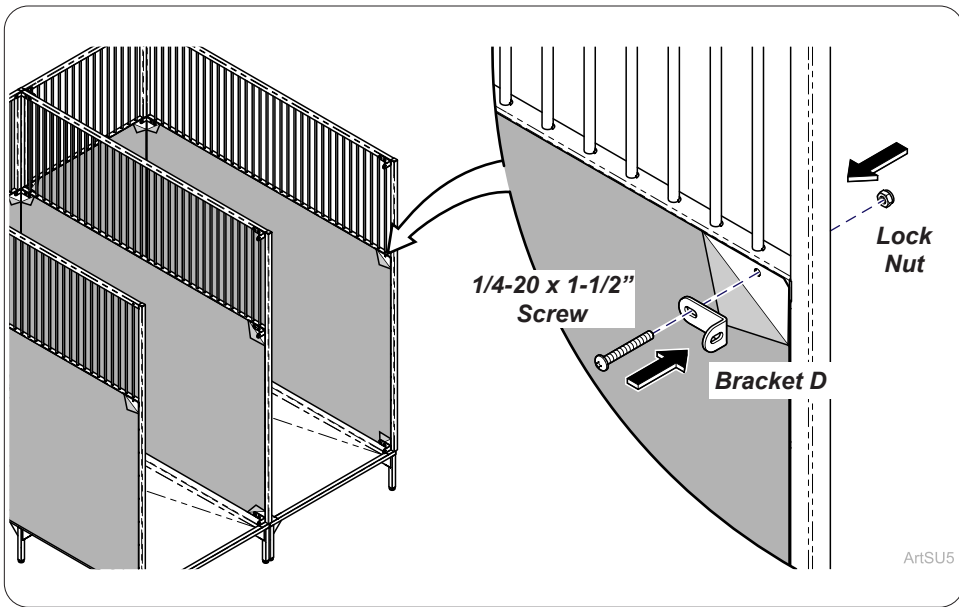


**Step 20:**  
Install Bracket D (2) to side panels on top and bottom corners with 1/4-20 x 1-3/4" screw and lock nut. Hand tighten.  
*Note: Repeat steps 11 and 12 as needed.*

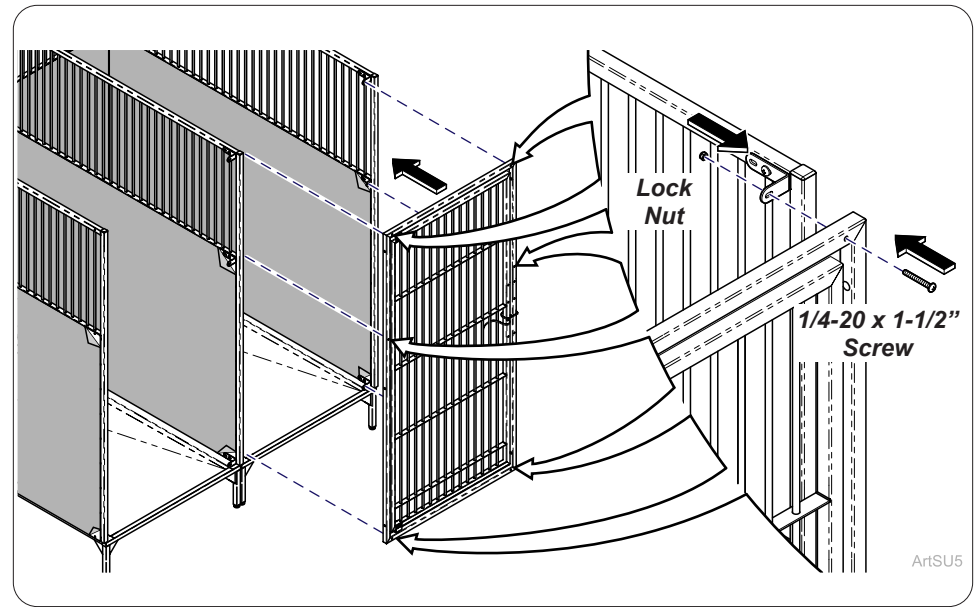


**Step 21:**  
Install Bracket C (2) loosely to side panel top and bottom with 1/4-20 x 1-1/2" screw and lock nut. Hand tighten.

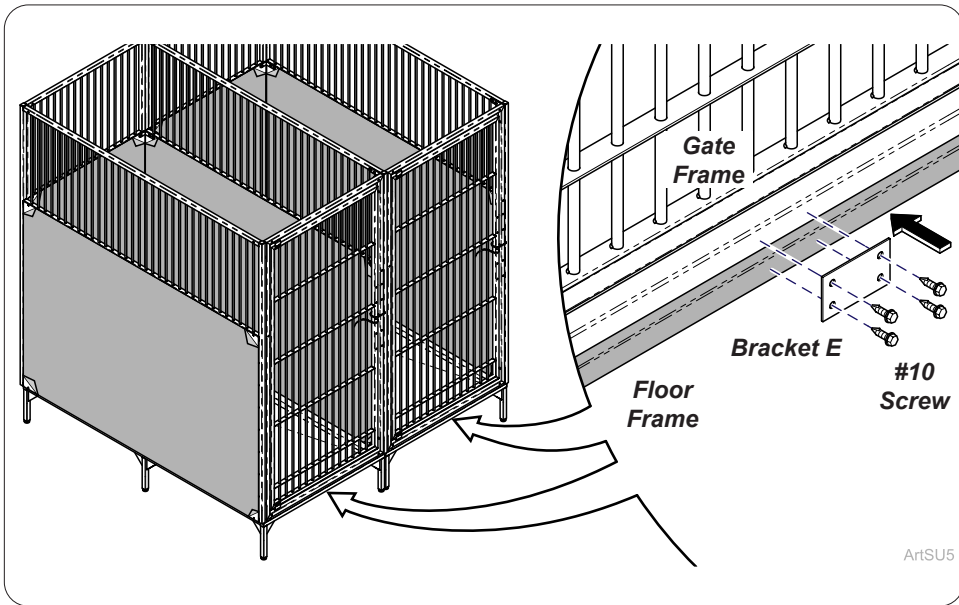




**Step 22:**  
Install Bracket D (1) to middle of side panels with 1/4-20 x 1-1/2" screw and lock nut. Hand tighten.

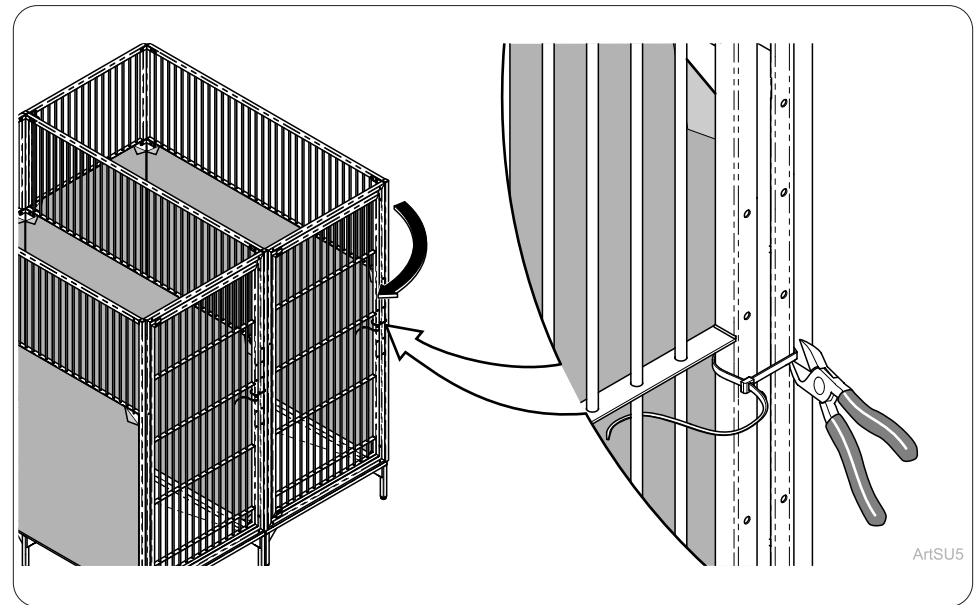


**Step 23:**  
Install Gate Assembly to front of Kennel with 1/4-20 x 1-1/2" screws (6) and lock nuts (6). Hand tighten.



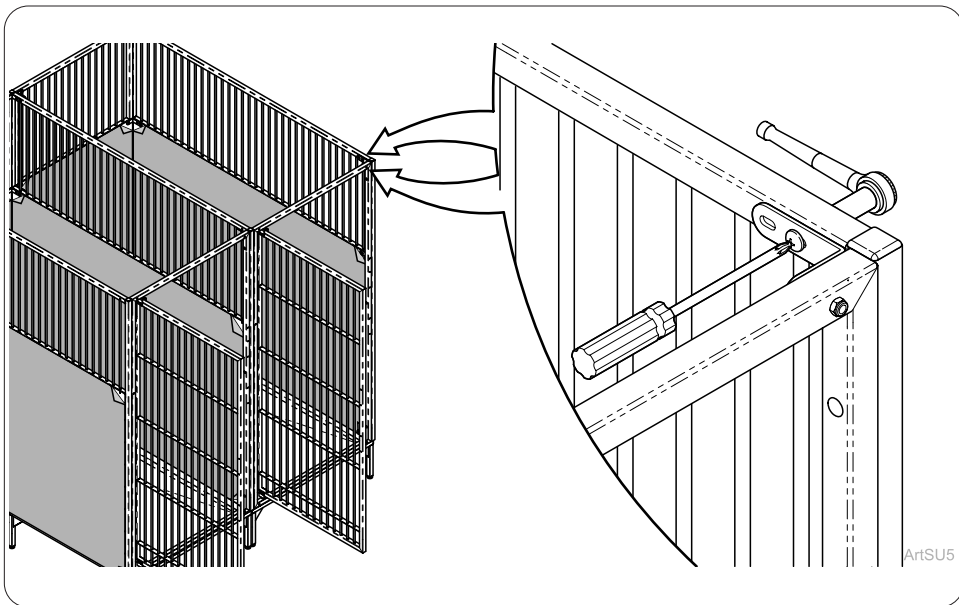
**Step 24:**  
Secure gate frame to floor frame with Bracket E and #10 self tapping screws (4).

*Note: Bracket E is used only on gates with frames.*

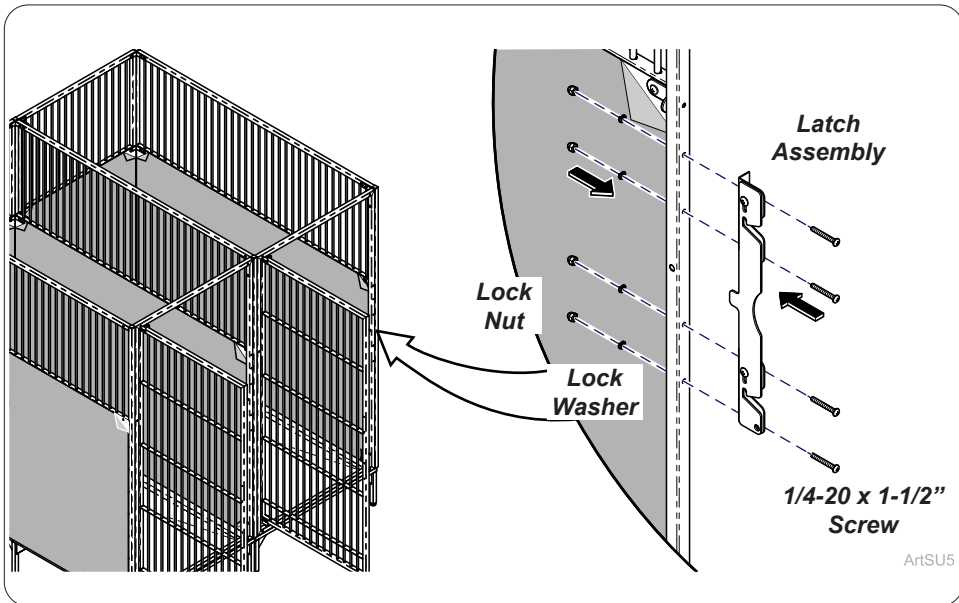


**Step 25:**  
Remove Zip Tie from gate and open door.

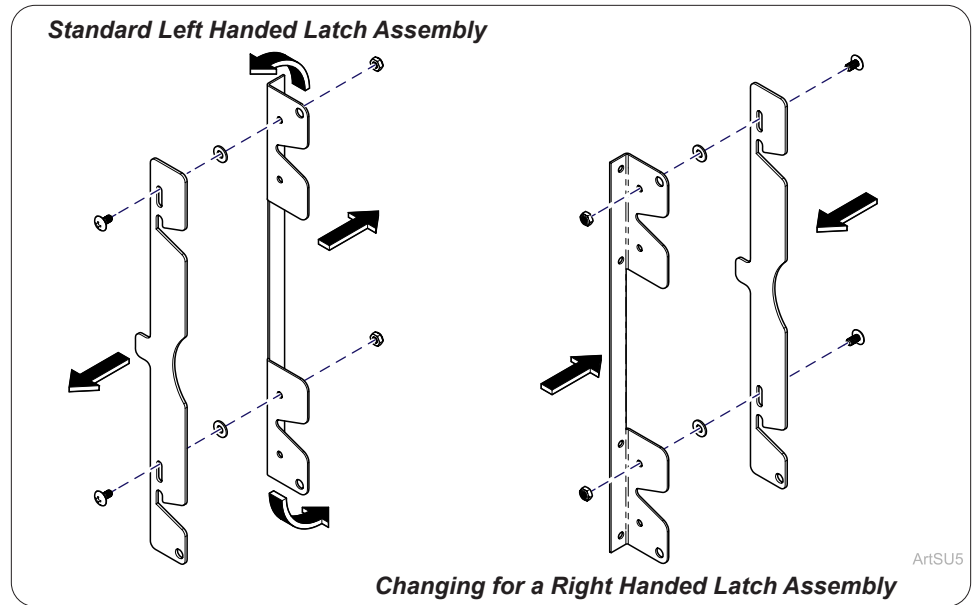
*Note: Repeat steps 22 and 23 as needed.*



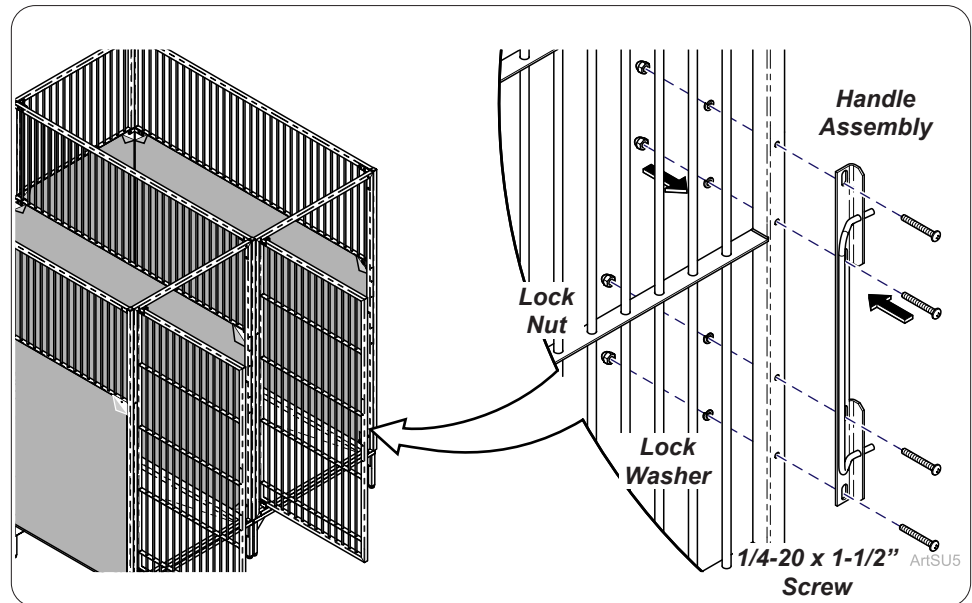
**Step 26:**  
Tighten all screws and lock nuts in brackets.



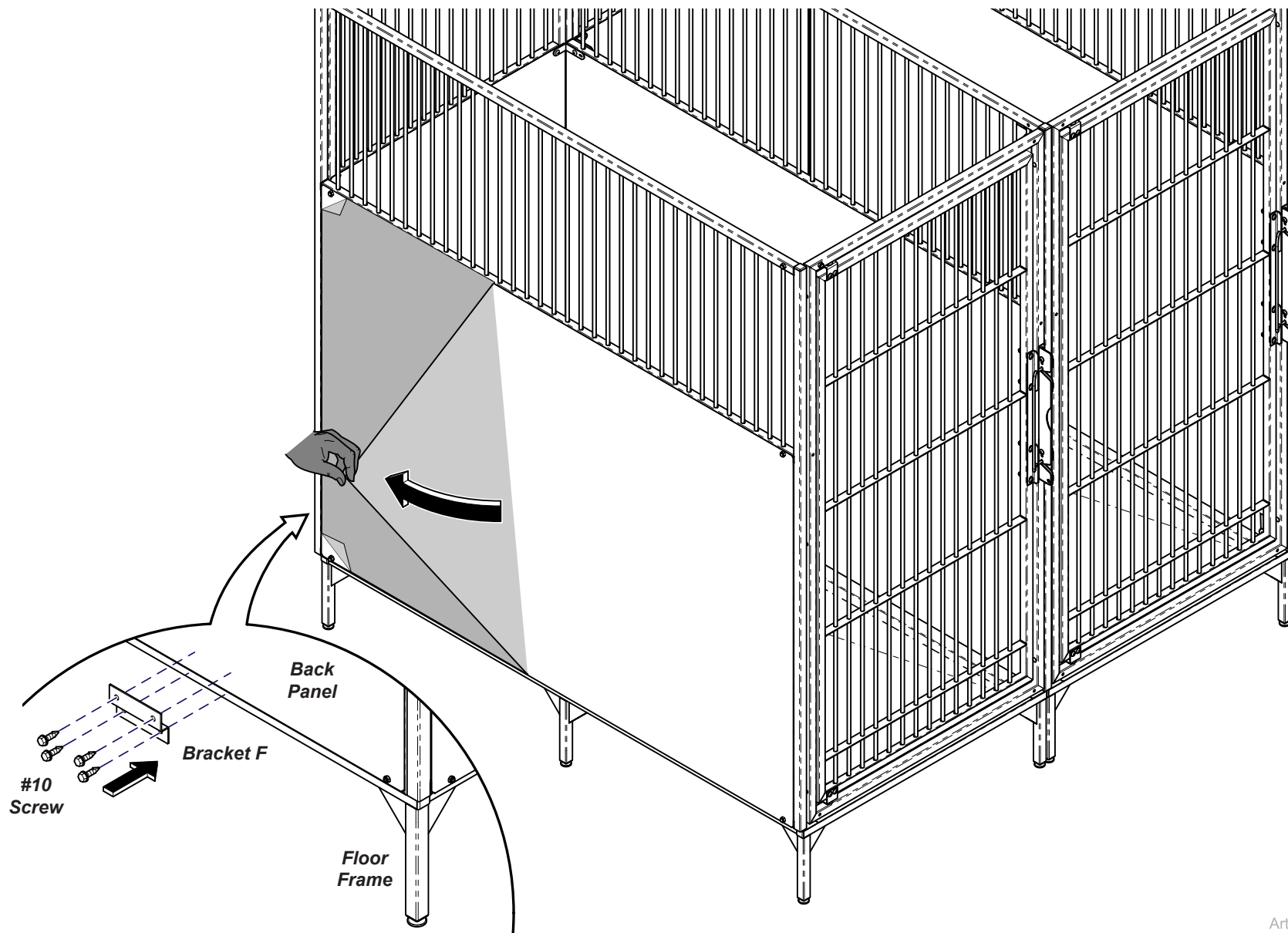
**Step 28:**  
Install latch assembly to front of gate frame with 1/4-20 x 1-1/2" screws (4), split lock washers (4) and acorn nuts (4).



**Step 27: If necessary (Changing Latch Assembly)**  
To create right handed latch assembly remove latch plate from latch and rotate 180° and reassemble as shown.



**Step 29:**  
Install handle assembly to front of gate with 1/4-20 x 1-1/2" screws (4), split lock washers (4) and acorn nuts (4). Adjust the handle assembly to properly mate into the latching assembly. Adjusting gate and gate hinge maybe required. Repeat gate latch steps.

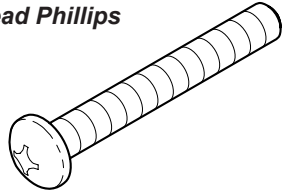


ArtFull

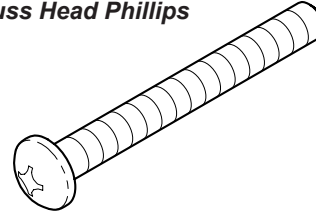
**Step 30:**  
 Remove film from panels on Kennel run. Secure back panels to floor frame with Bracket F (2) and #10 Self tapping screws (8).

# Hardware for Existing Wall Kennel Run Units

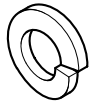
**1/4-20 x 1-1/2"  
Truss Head Phillips**



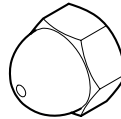
**1/4-20 x 1-3/4"  
Truss Head Phillips**



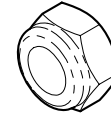
**1/4" Split  
Lock Washer**



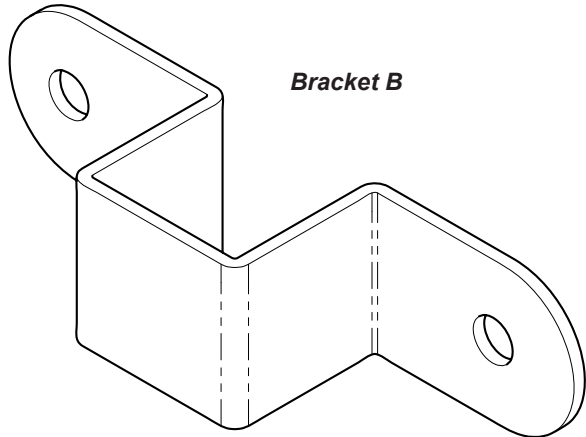
**1/4"  
Acorn Nut**



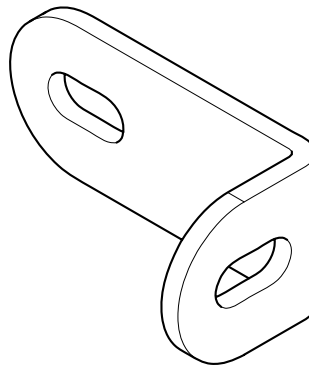
**1/4-20  
Locking Nut**



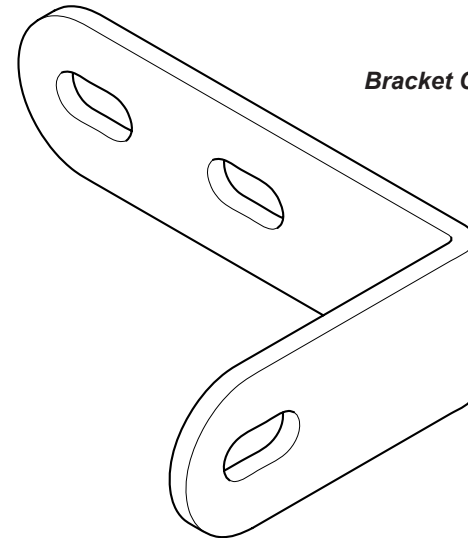
**Bracket B**



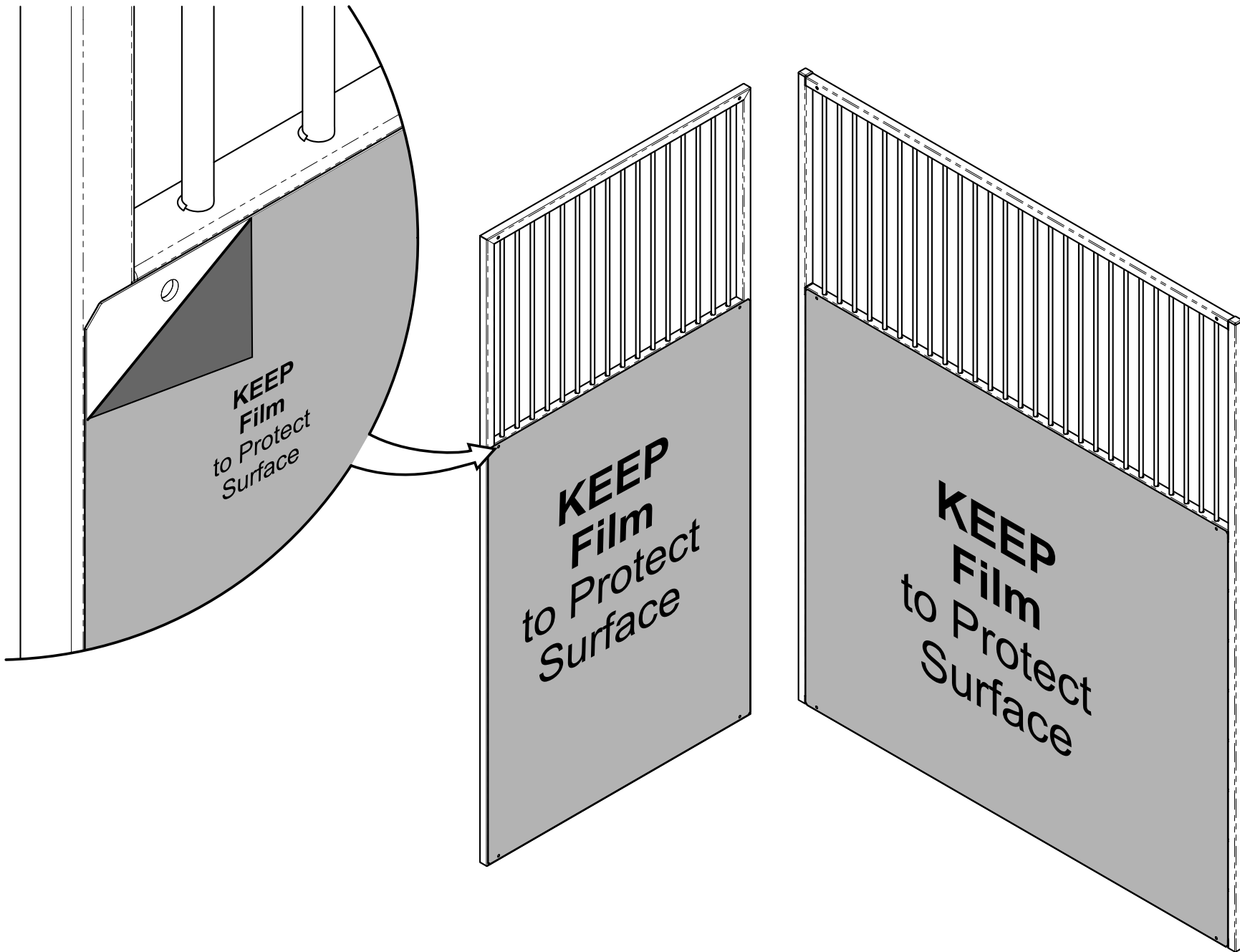
**Bracket D**



**Bracket C**



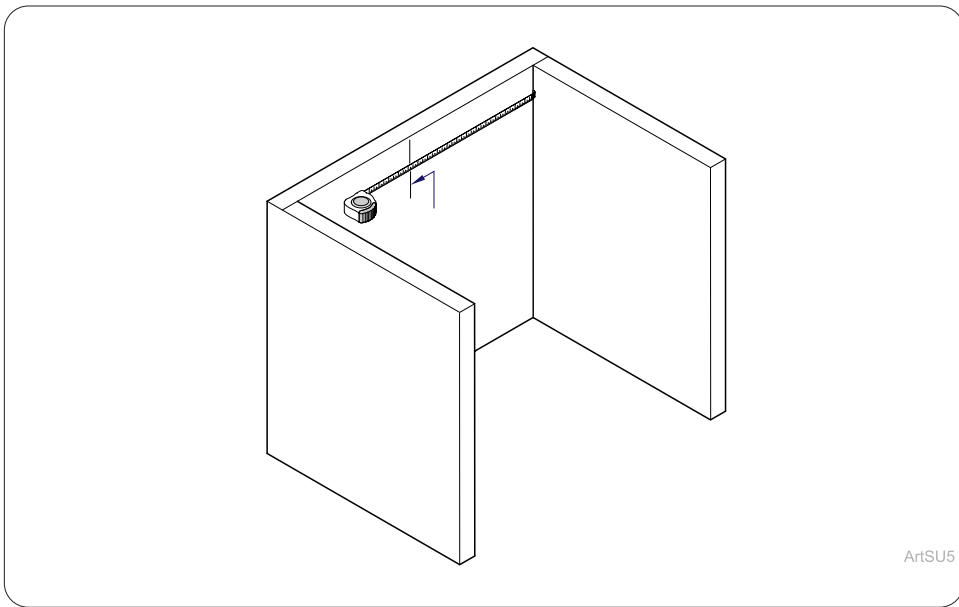
ArtFull



### Step 1: Exposing Panel Holes

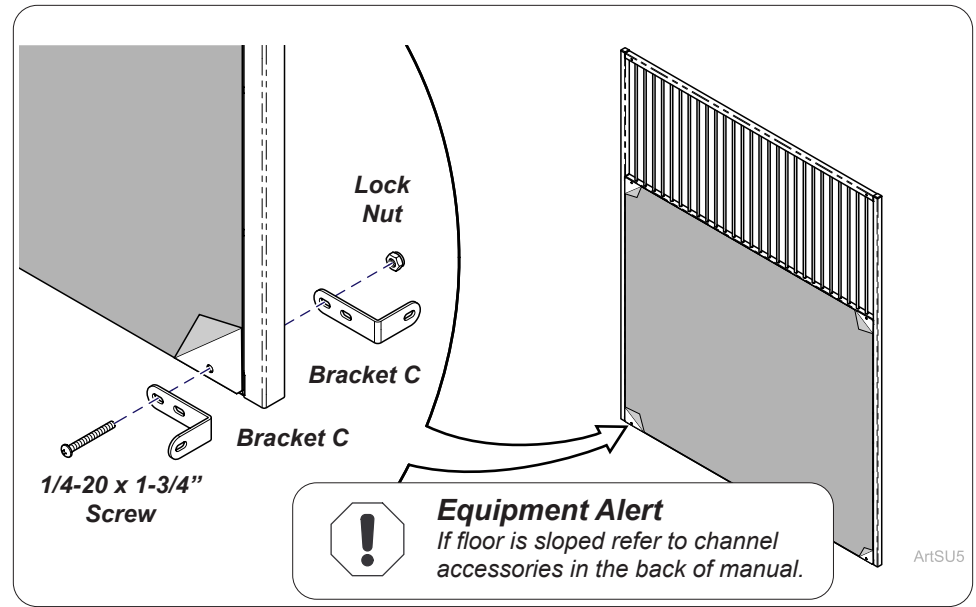
Remove film **ONLY** from around panel holes for installation of kennel runs to prevent scratches on panels.

ArtFull



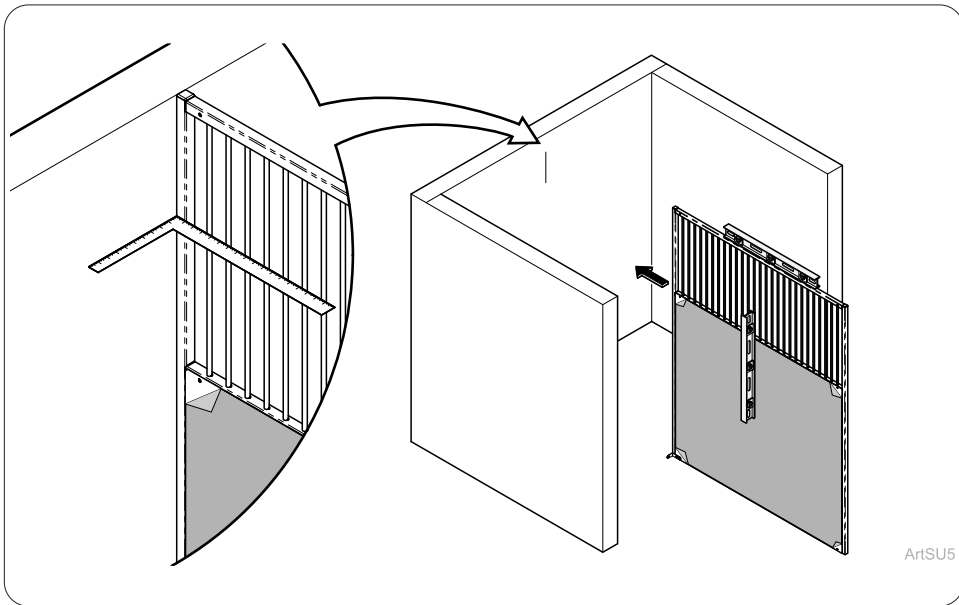
ArtSU5

**Step 2:**  
Measure and mark wall where side panel should be located.



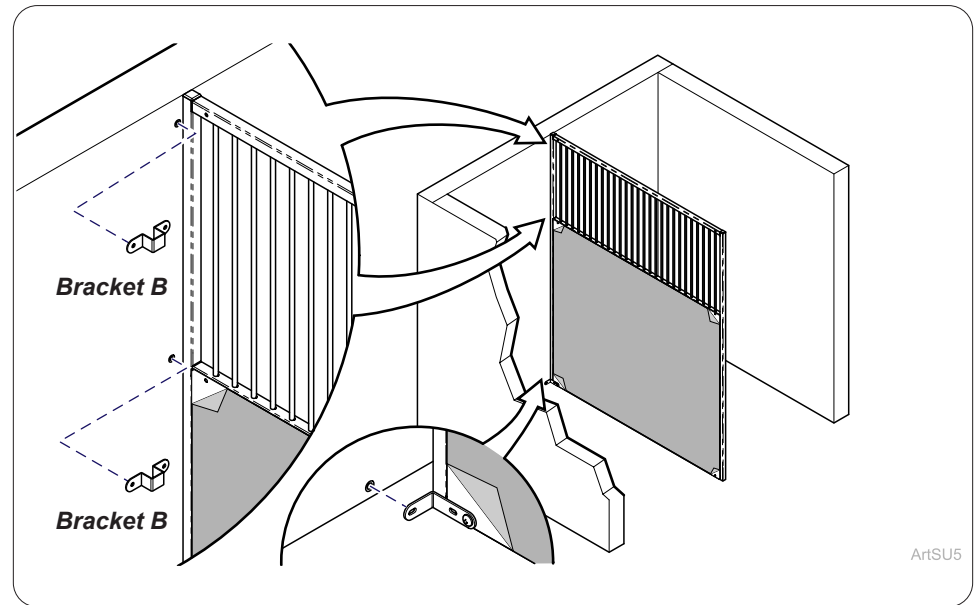
ArtSU5

**Step 3:**  
Install Bracket C (2) onto side panel with 1/4-20 x 1-3/4" screw and lock nut.



ArtSU5

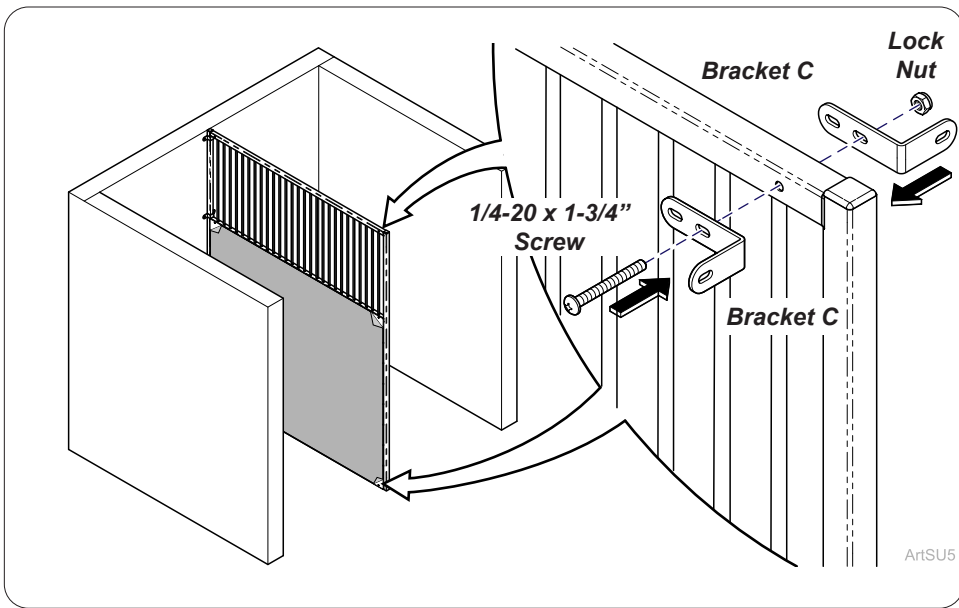
**Step 4:**  
Rotate side panel so Bracket C is facing marked wall. Square and level side panel.



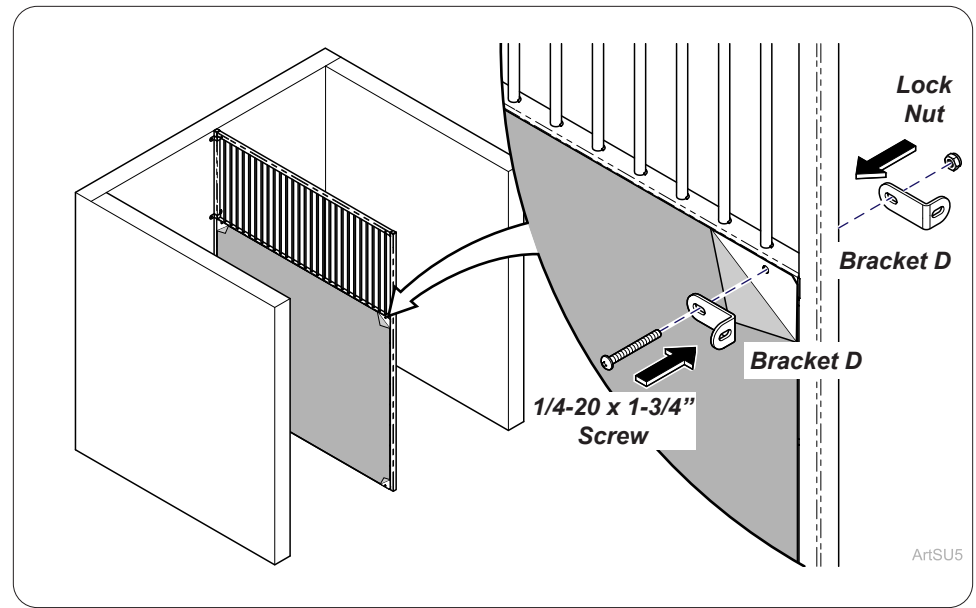
ArtSU5

**Step 5:**  
Attach side panel using Bracket B with Local and Building code approved hardware (Not Supplied) to wall.  
*Note: Midmark recommends using stainless steel anchors and hardware.*

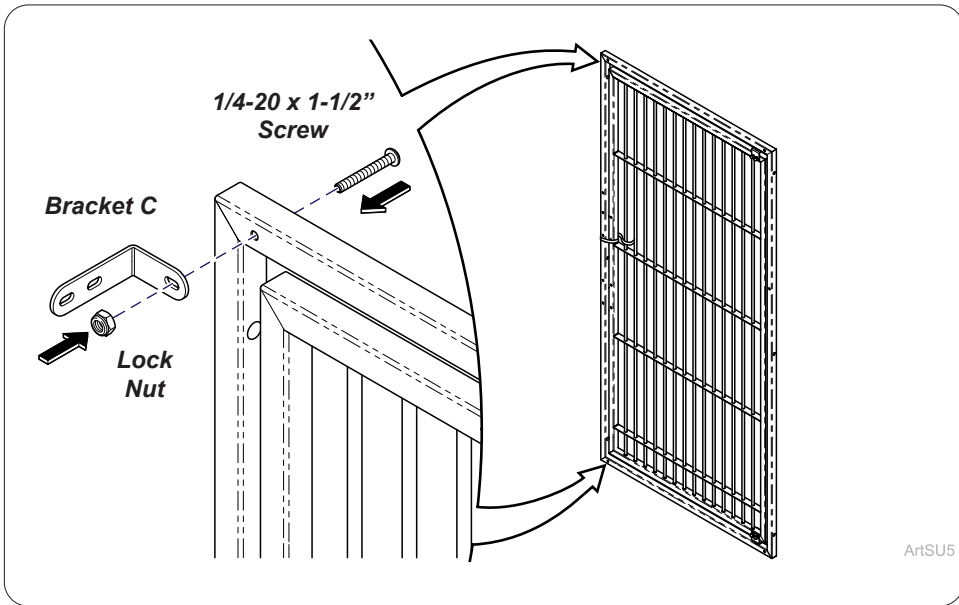
TP201 Rev. A



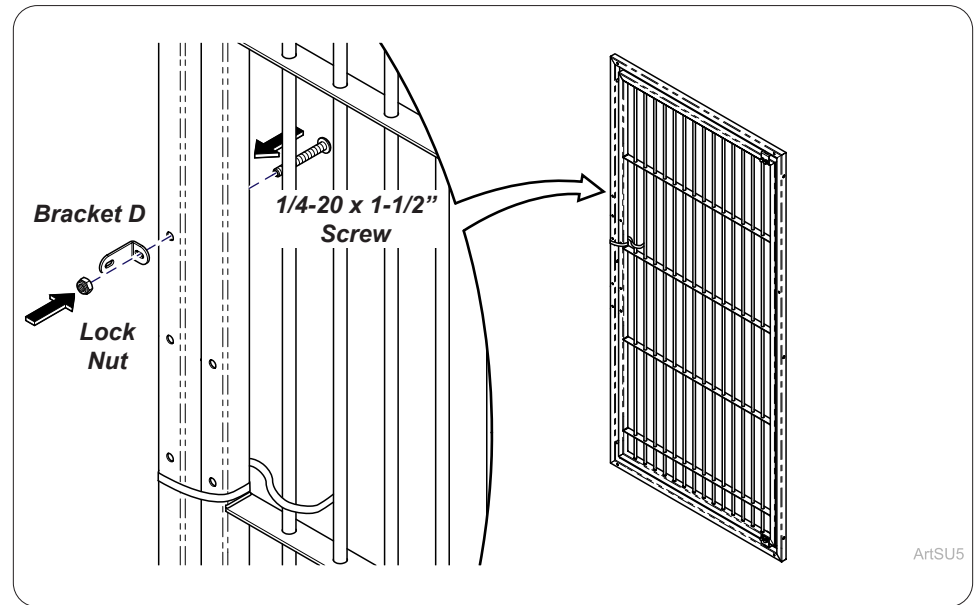
**Step 6:**  
Install Bracket C (4) to side panels on top and bottom corners with 1/4-20 x 1-3/4" screw and lock nut. Hand tighten.



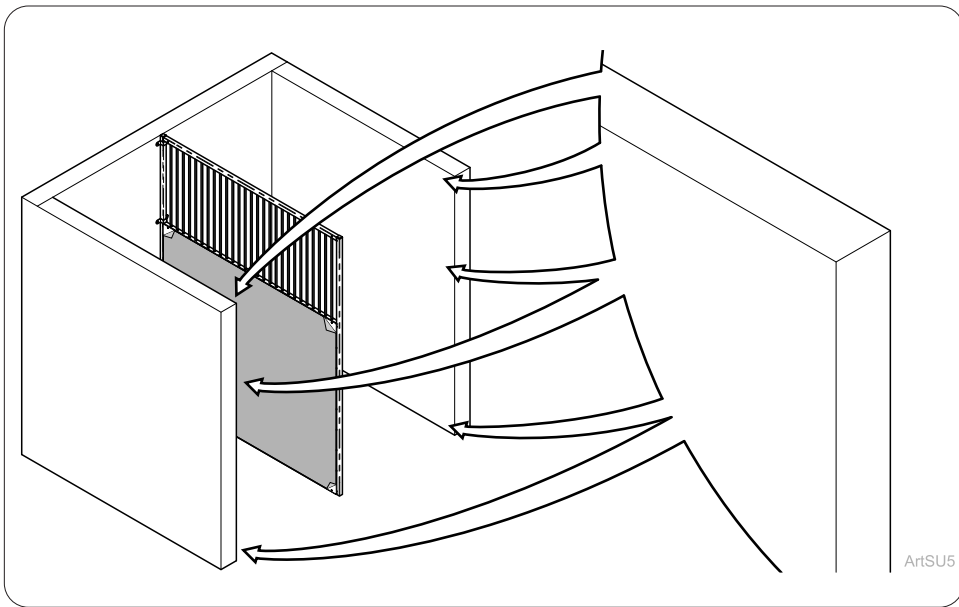
**Step 7:**  
Install Bracket D (2) to side panels on top and bottom corners with 1/4-20 x 1-3/4" screw and lock nut. Hand tighten.



**Step 8:**  
Install Bracket C (2) to gate frame on top and bottom corners with 1/4-20 x 1-1/2" screw and lock nut. Hand tighten.

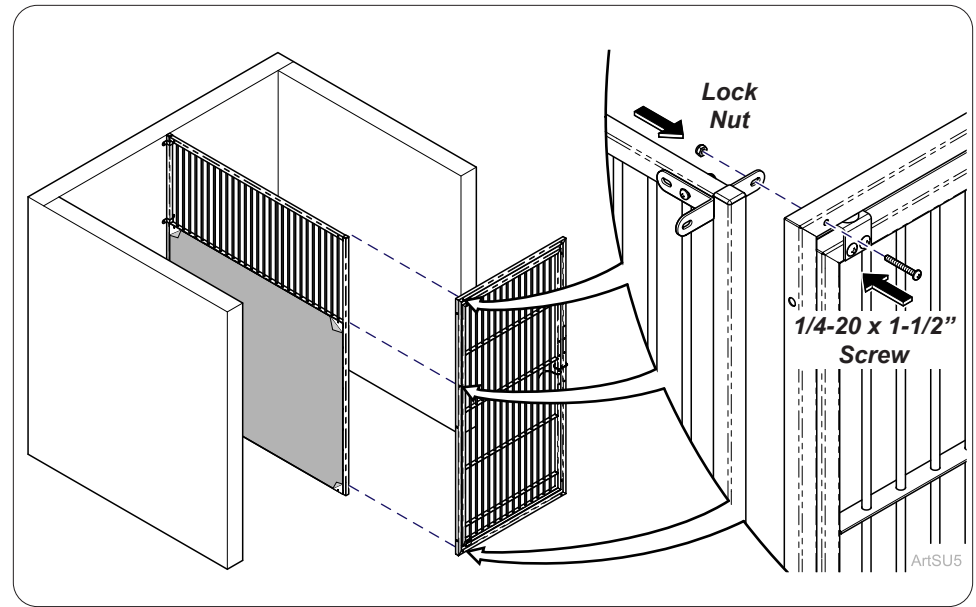


**Step 9:**  
Install Bracket D (1) to gate frame in middle with 1/4-20 x 1-1/2" screw and lock nut. Hand tighten.



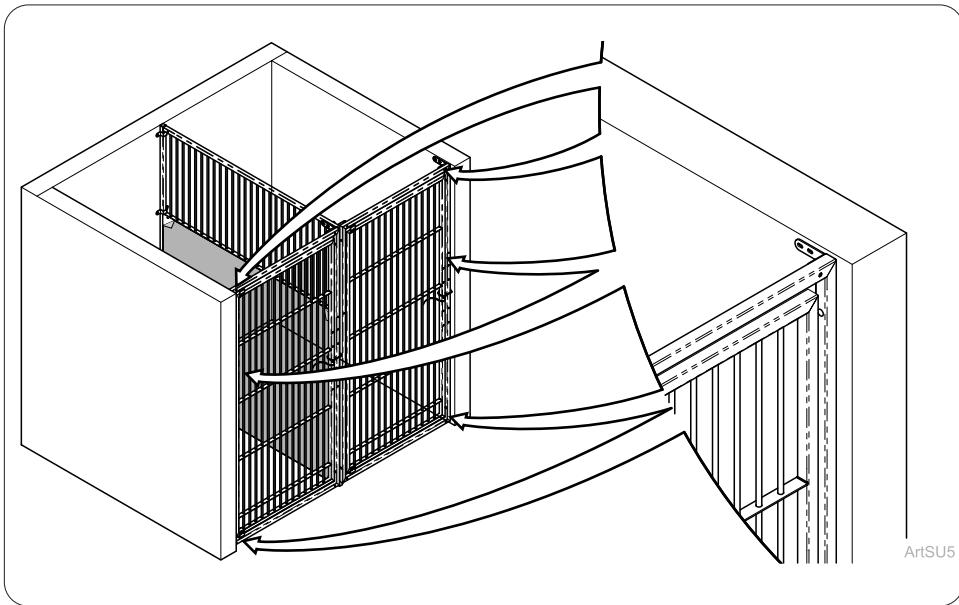
**Step 10:**  
Prepare wall with non provided hardware that meets Local and Building codes.

*Note: Midmark recommends using stainless steel anchors and hardware.*



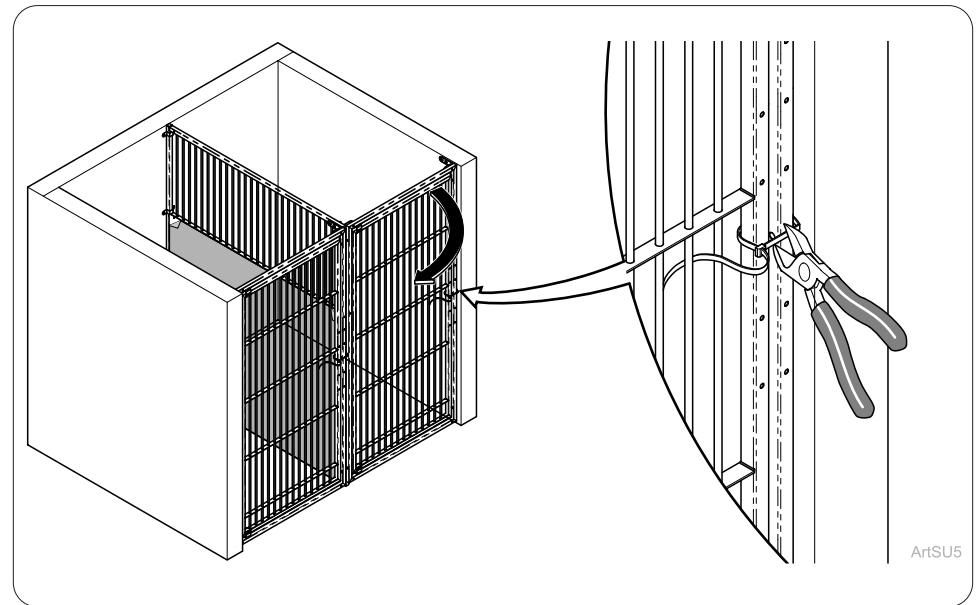
**Step 11:**  
Attach gate frame to side panel with 1/4-20 x 1-1/2" screws (3) and lock nuts (3).

*Note: Repeat for second gate assembly accordingly to opening and bracket location.*



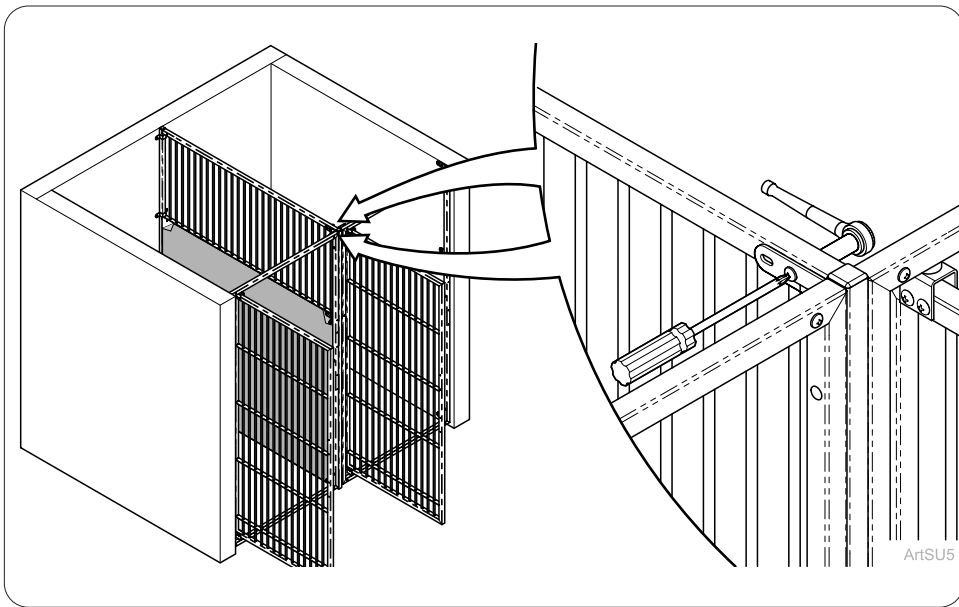
**Step 12:**  
Mount gate frame to wall with non provided hardware that meets Local and Building codes.

*Note: Midmark recommends using stainless steel anchors and hardware.*

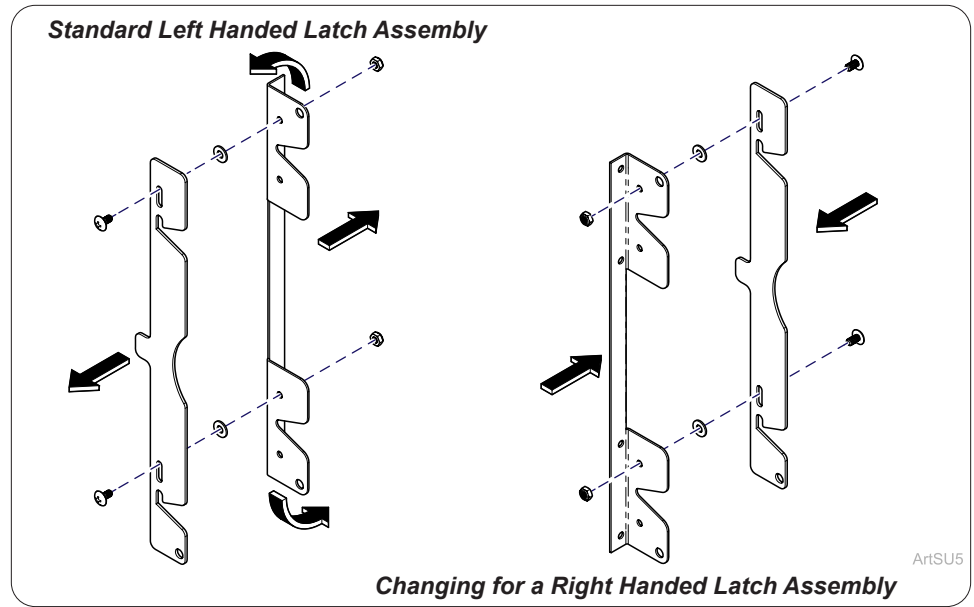


**Step 13:**  
Remove Zip Tie from gate and open door.

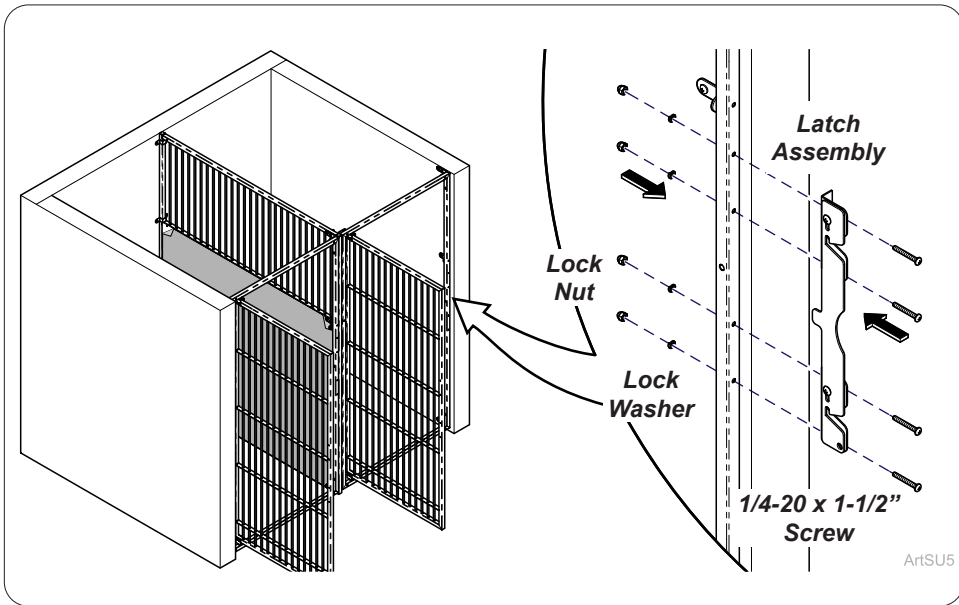




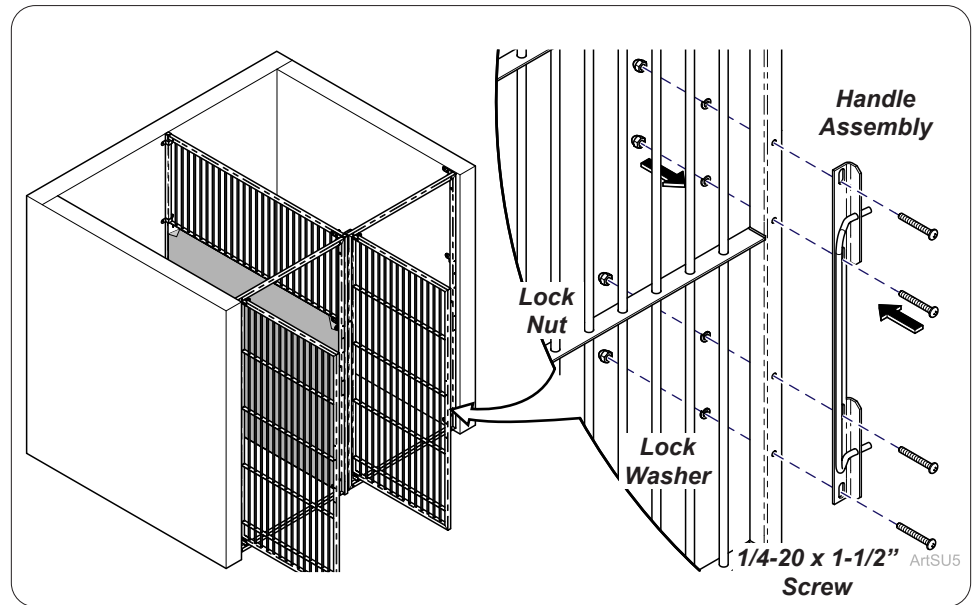
**Step 14:**  
Tighten all brackets with screws and lock nuts.



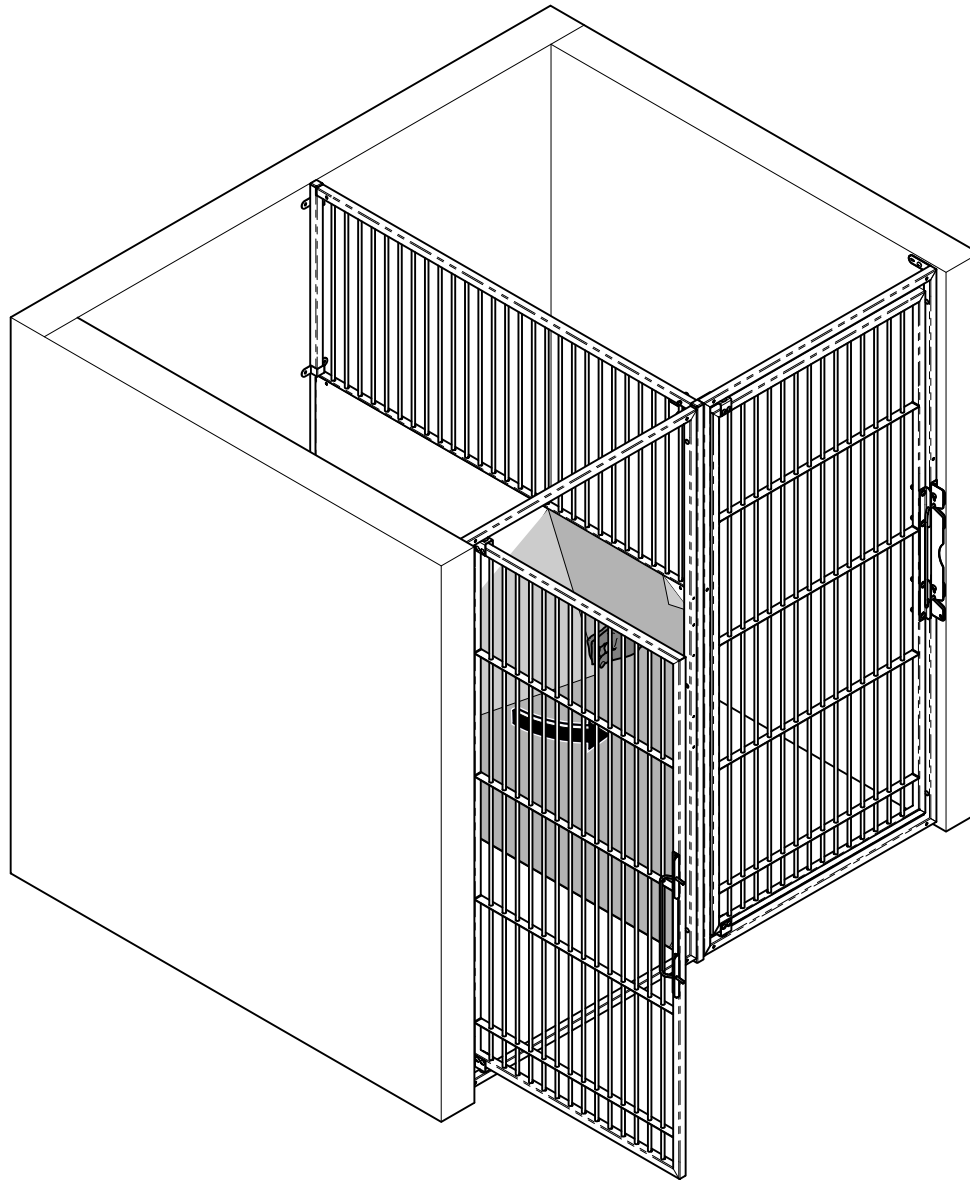
**Step 15: If necessary (Changing Latch Assembly)**  
To create right handed latch assembly remove latch plate from latch and rotate 180° and reassemble as shown.



**Step 16:**  
Install latch assembly to front of gate frame with 1/4-20 x 1-1/2" screws (4), split lock washers (4) and acorn nuts (4).



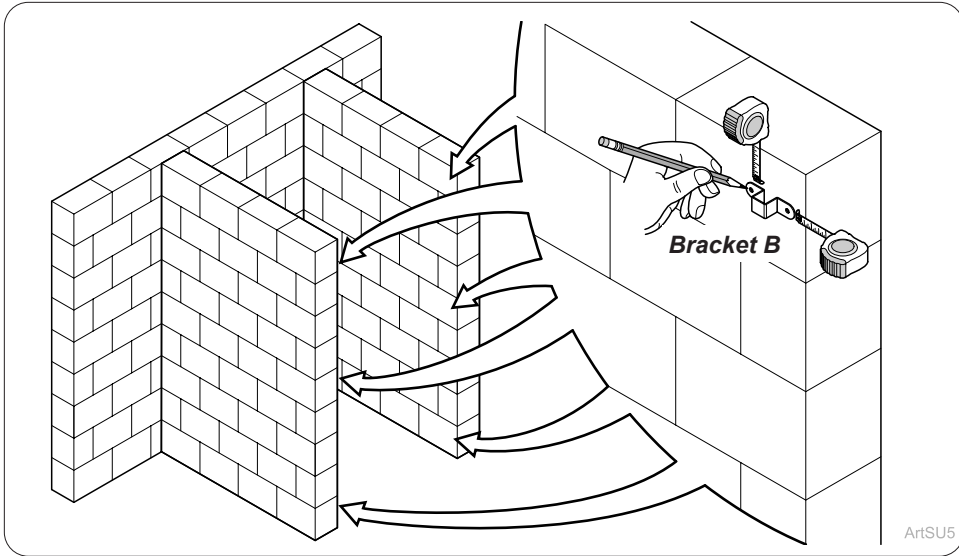
**Step 17:**  
Install handle assembly to front of gate with 1/4-20 x 1-1/2" screws (4), split lock washers (4) and acorn nuts (4). Adjust the handle assembly to properly mate into the latching assembly. Adjusting gate and gate hinge maybe required. Repeat gate latch steps.



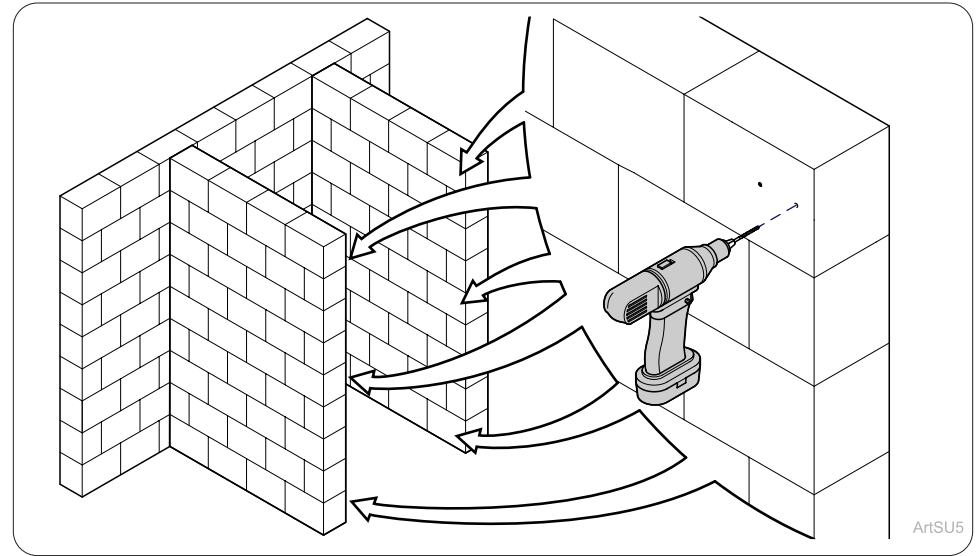
ArtFull

**Step 18:**  
Remove film from panels on Kennel run to complete.

## Block Wall Installation

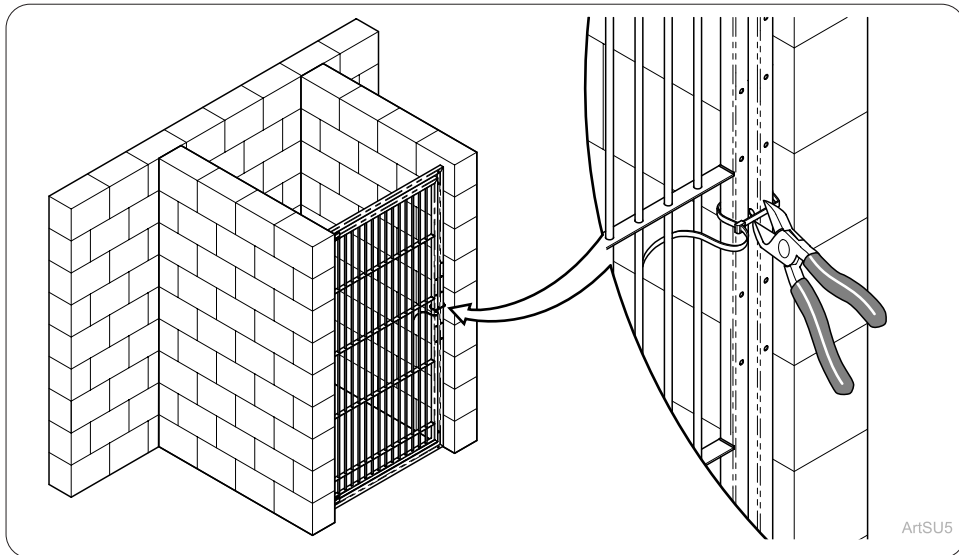


**Step 1:**  
Measure and mark wall where Bracket B (6) should be located to secure gate assembly.

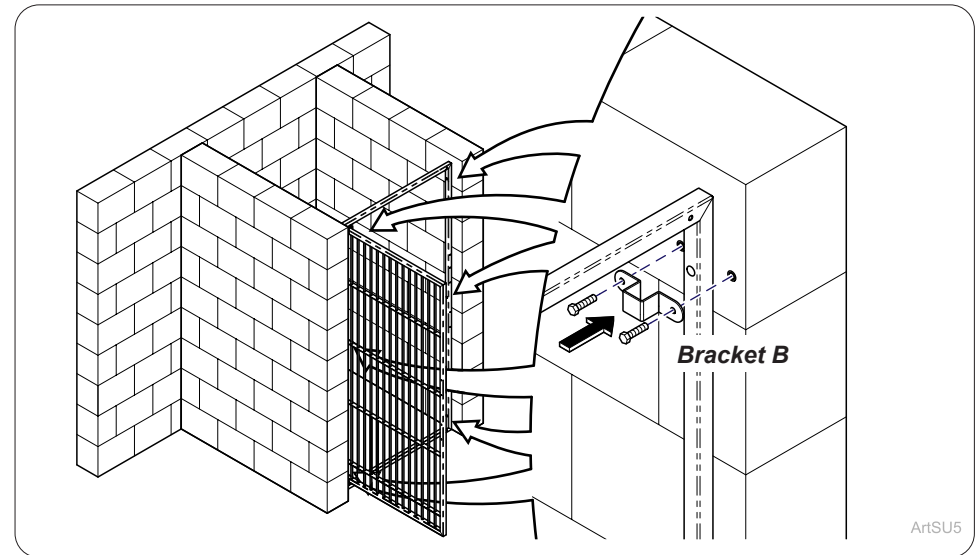


**Step 2:**  
Drill holes and install wall anchor (Not Supplied).

*Note: Midmark recommends using stainless steel anchors and hardware.*



**Step 3:**  
Remove Zip Tie from gate and open door.

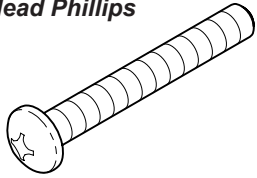


**Step 4:**  
Attach gate assembly with Bracket B (6) using Local and Building code approved hardware (Not Supplied) to wall.

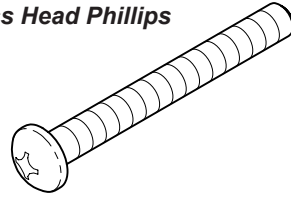
*Note: Midmark recommends using stainless steel anchors and hardware.*

# Hardware for Gate Options with or without Front Panels

**1/4-20 x 1-1/2"  
Truss Head Phillips**



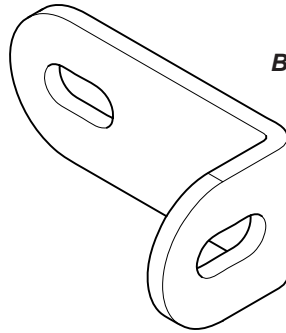
**1/4-20 x 1-3/4"  
Truss Head Phillips**



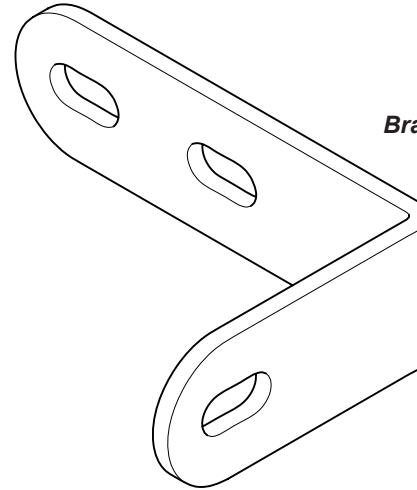
**1/4-20  
Locking Nut**



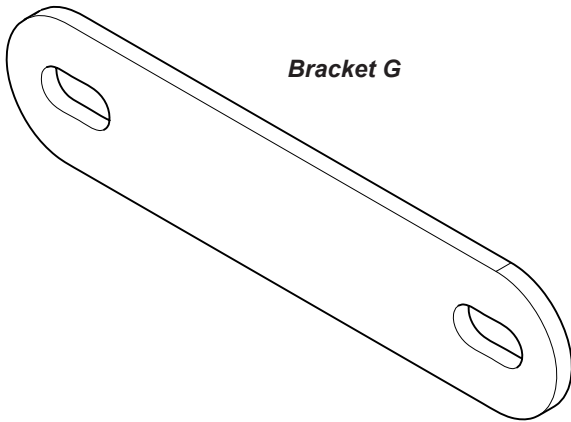
**Bracket D**



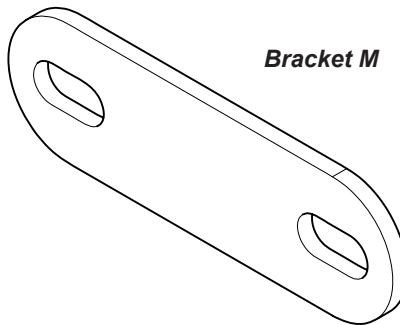
**Bracket C**



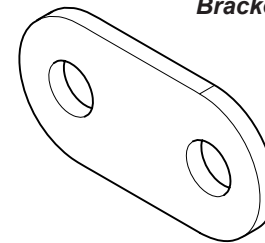
**Bracket G**



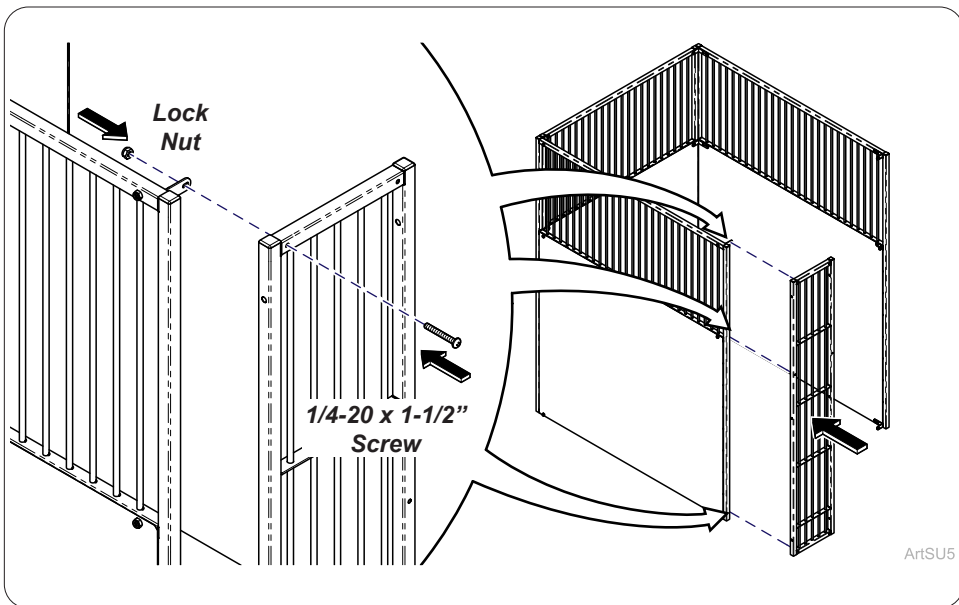
**Bracket M**



**Bracket H**

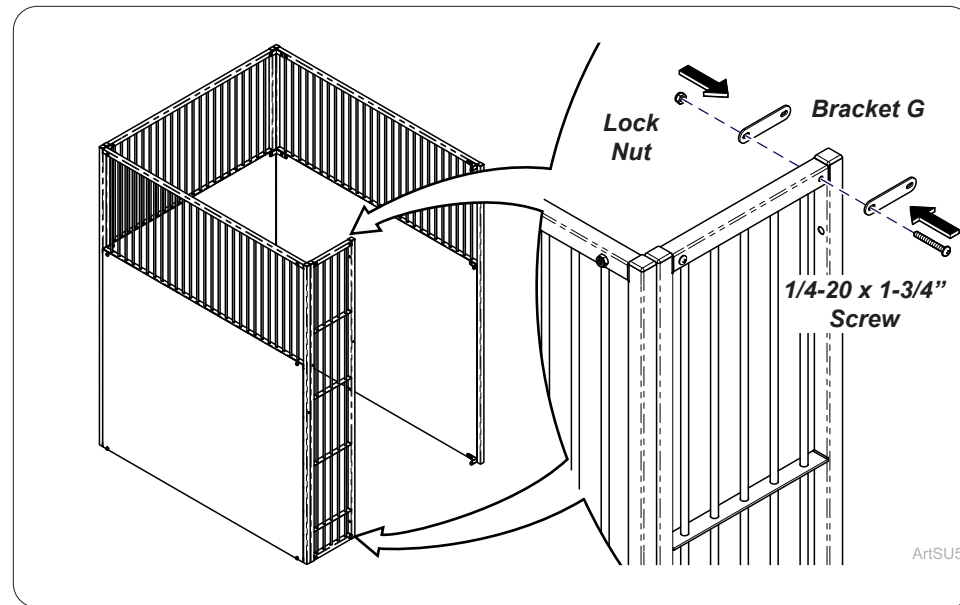


ArtFull



### Step 1: Stainless Steel Panel

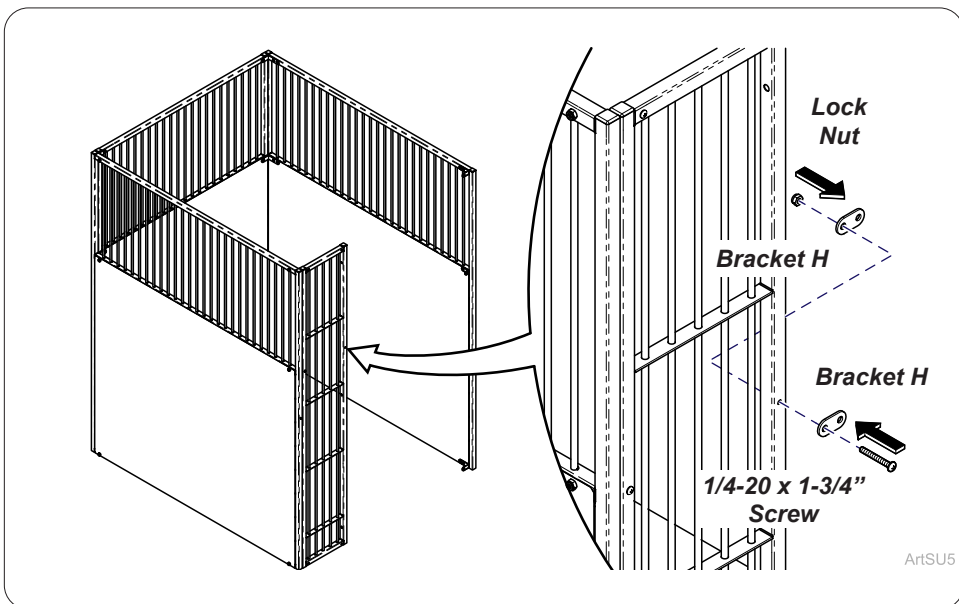
Install front panel to Bracket C (3) on side panel with 1/4-20 x 1-1/2" screw and lock nut. Hand tighten.



### Step 2: Gate with Bottom Frame

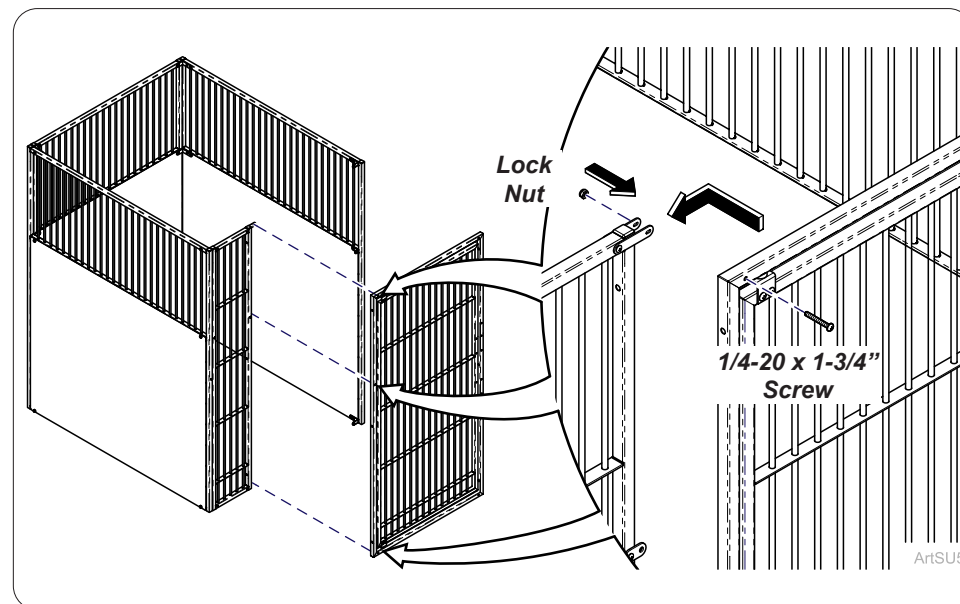
Install Bracket G (4) loosely to top of front panel with 1/4-20 x 1-3/4" screw and lock nut.

*Note: Gates without bottom frame skip to step 6.*



### Step 3: Gate with Bottom Frame

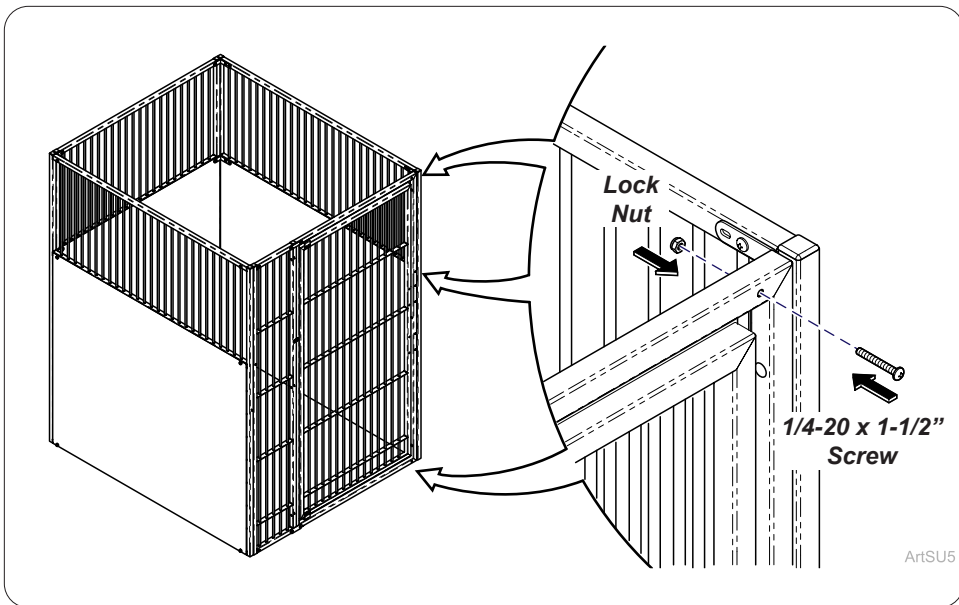
Install Bracket H (2) to middle of front panel with 1/4-20 x 1-3/4" screw and lock nut. Hand tighten.



### Step 4: Gate with Bottom Frame

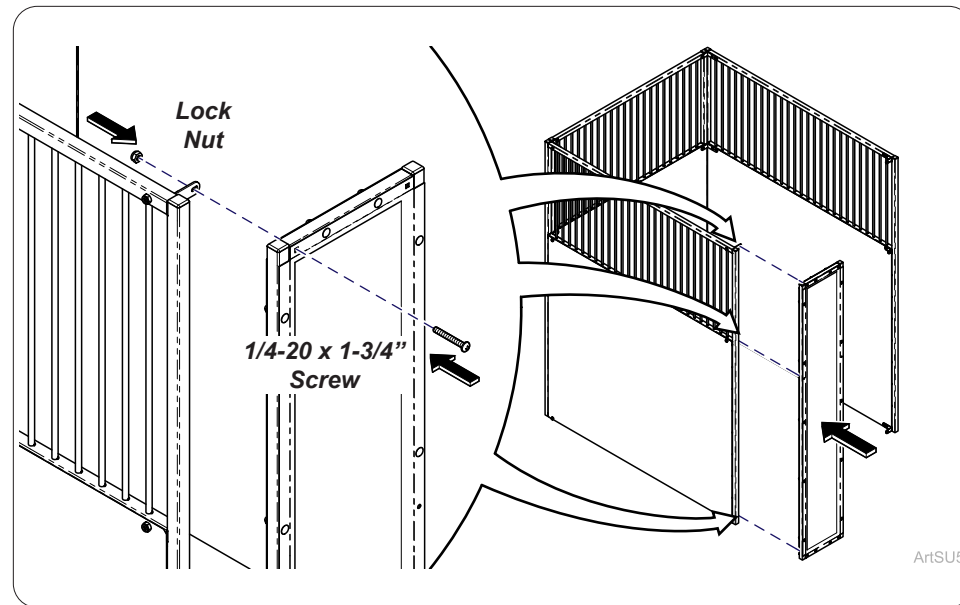
Install front gate inside all 3 brackets (G and H) securing with 1/4-20 x 1-3/4" screws (3) and lock nut (3)

*Note: Gates without bottom frame can be mounted hinge side or latch side when installing.*



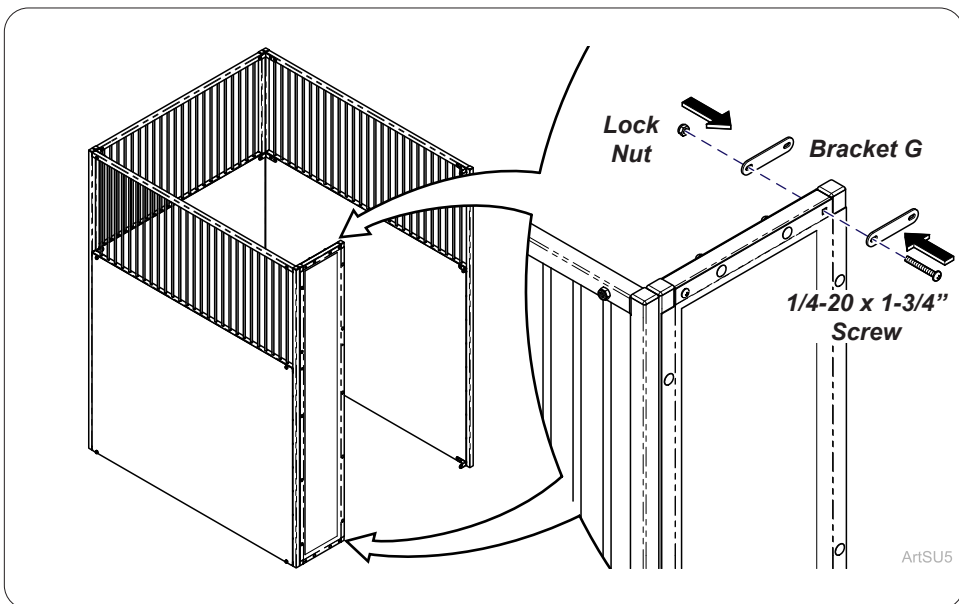
### Step 5: Gate with Bottom Frame

Install 1/4-20 x 1-1/2" screws (3) and lock nut (3) to secure gate assembly to side panel. Tighten all hardware.



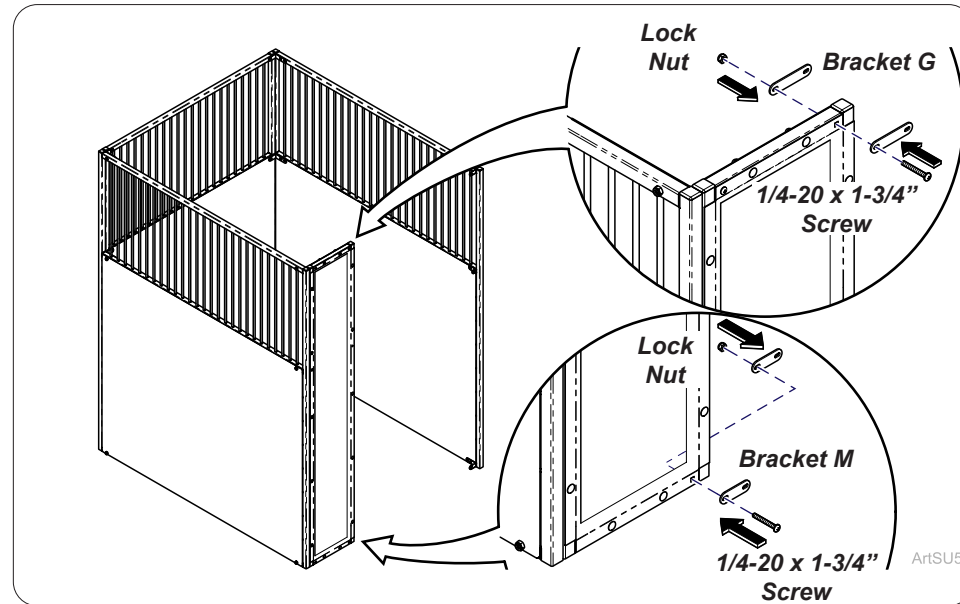
### Step 6: Glass Panel

Install front panel to Bracket C (3) on side panel with 1/4-20 x 1-1/2" screw and lock nut. Hand tighten.



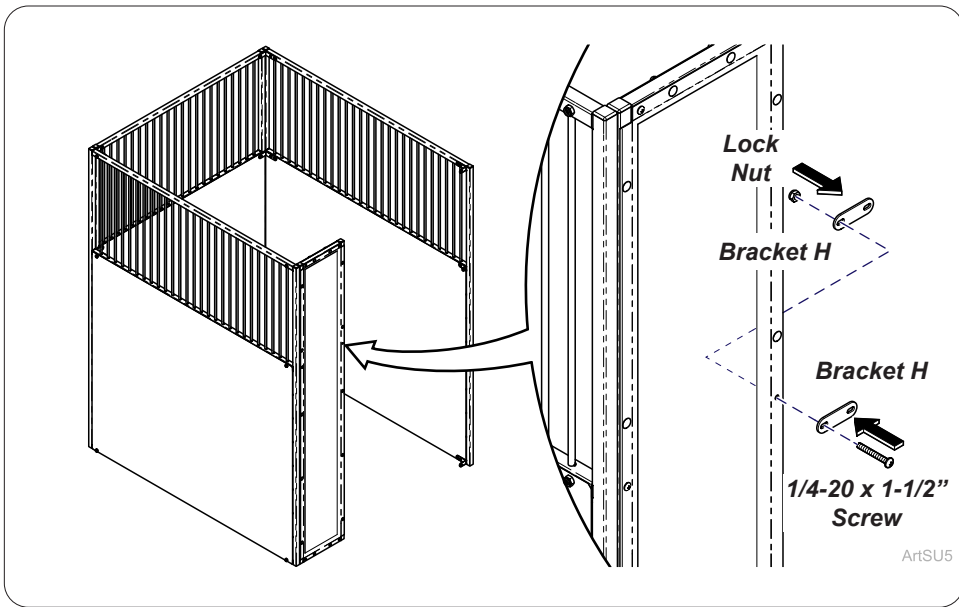
### Step 7a: Gate without Bottom Frame Hinge Side

Install Bracket G (2) to bottom of front panel with 1/4-20 x 1-3/4" screw and lock nut. Hand tighten.



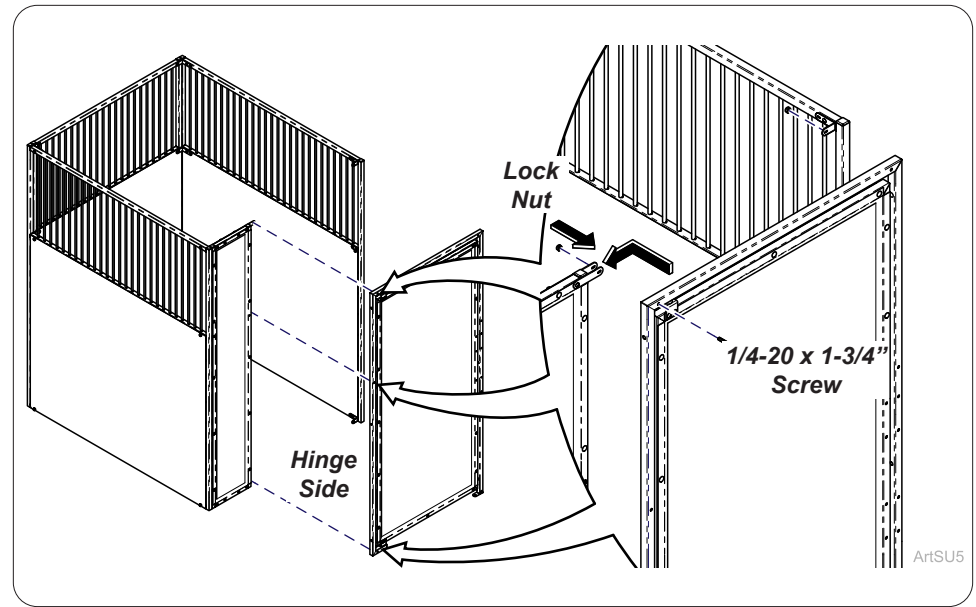
### Step 7b: Gate without Bottom Frame Latch Side

Install Bracket M (2) to bottom of front panel with 1/4-20 x 1-3/4" screw and lock nut. Hand tighten.



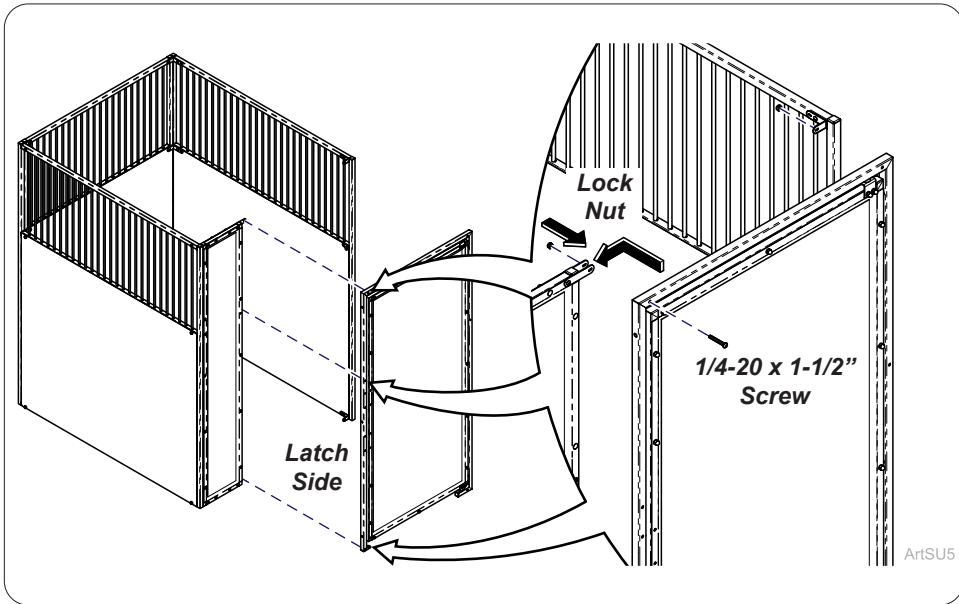
**Step 8: Gate without Bottom Frame**

Install Bracket H (2) to middle of front panel with 1/4-20 x 1-3/4" screw and lock nut. Hand tighten.



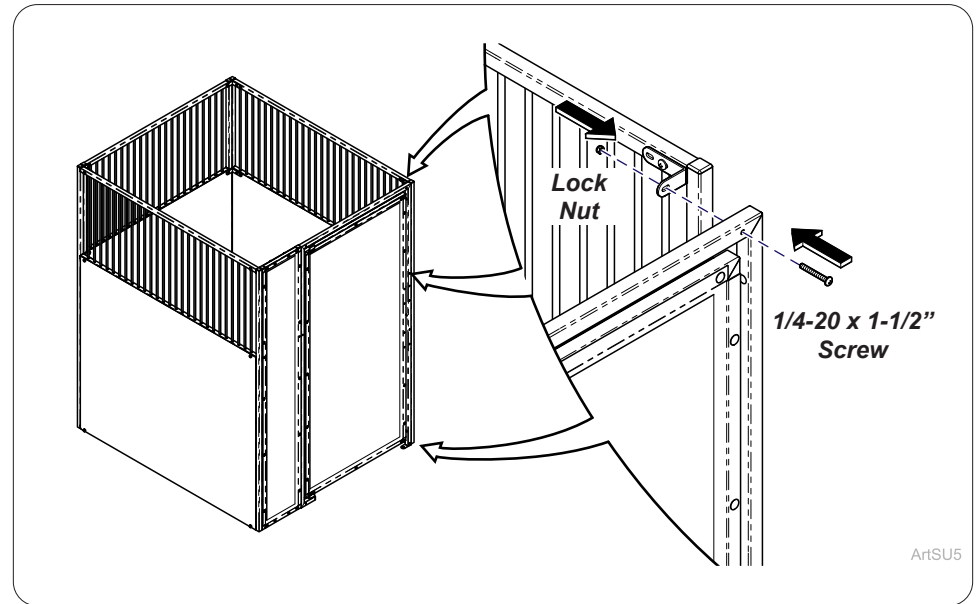
**Step 9a: Gate without Bottom Frame**

Install front gate inside all 3 brackets (G & H) securing with 1/4-20 x 1-3/4" screws (3) and lock nut (3)



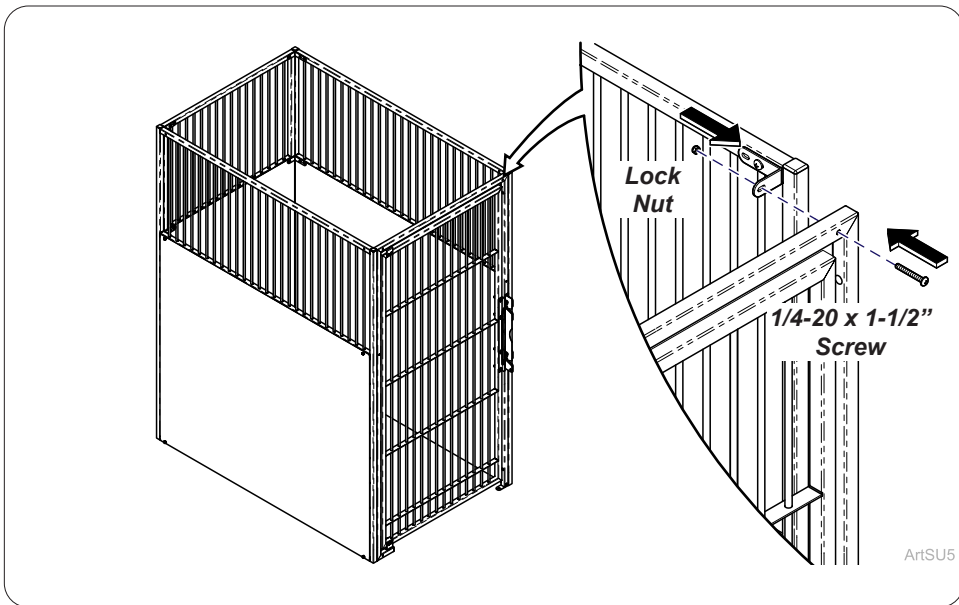
**Step 9b: Gate without Bottom Frame**

Install front gate inside all 3 brackets (G, H, & M) securing with 1/4-20 x 1-3/4" screws (3) and lock nut (3)



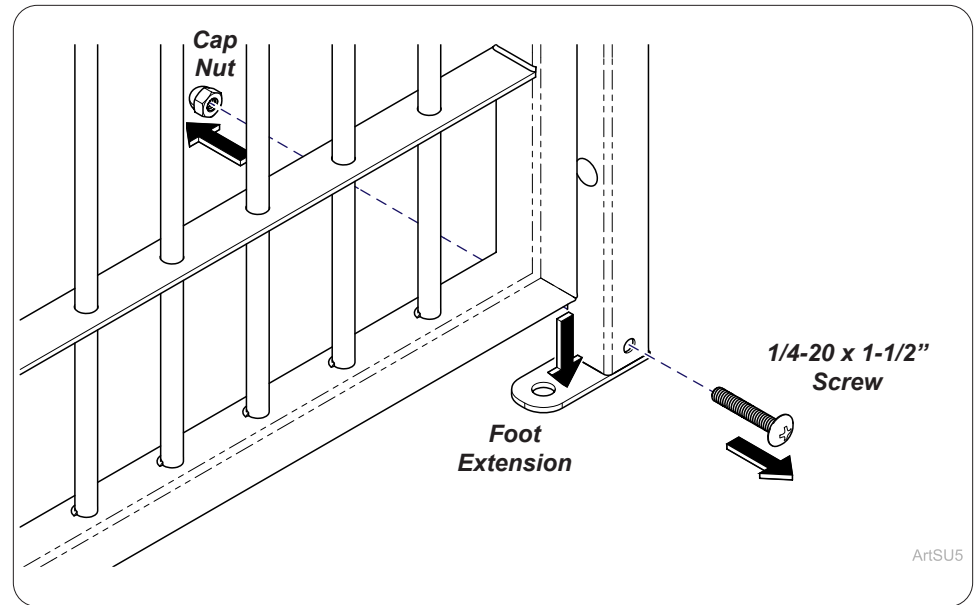
**Step 10: Gate without Bottom Frame**

Install 1/4-20 x 1-1/2" screws (3) and lock nut (3) to secure gate assembly to side panel. Tighten all hardware.



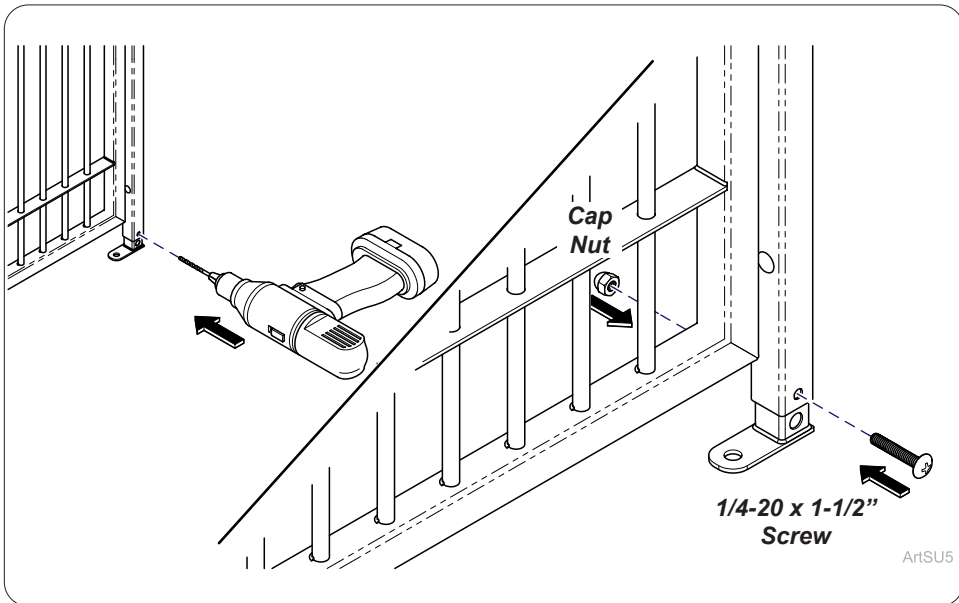
### Step 1: Gate Assembly without Bottom Frame

Gate assemblies may differ but install the same and are secured with 1/4-20 x 1-1/2" screws (5) and lock nut (5).



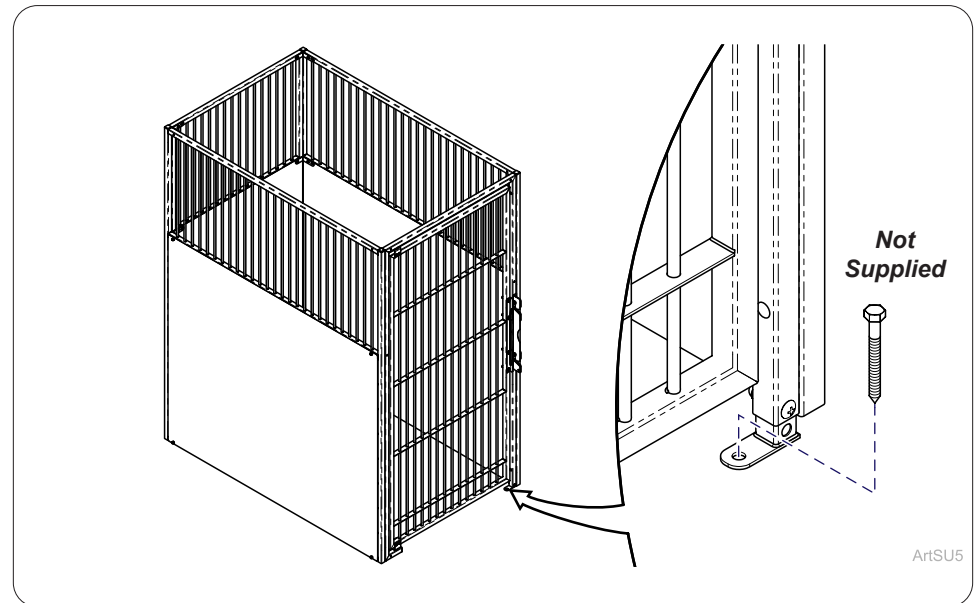
### Step 2: Gate Assembly without Bottom Frame

If necessary, to secure foot extension to the floor remove cap nut and screw. Lower foot extension to floor.



### Step 3: Gate Assembly without Bottom Frame

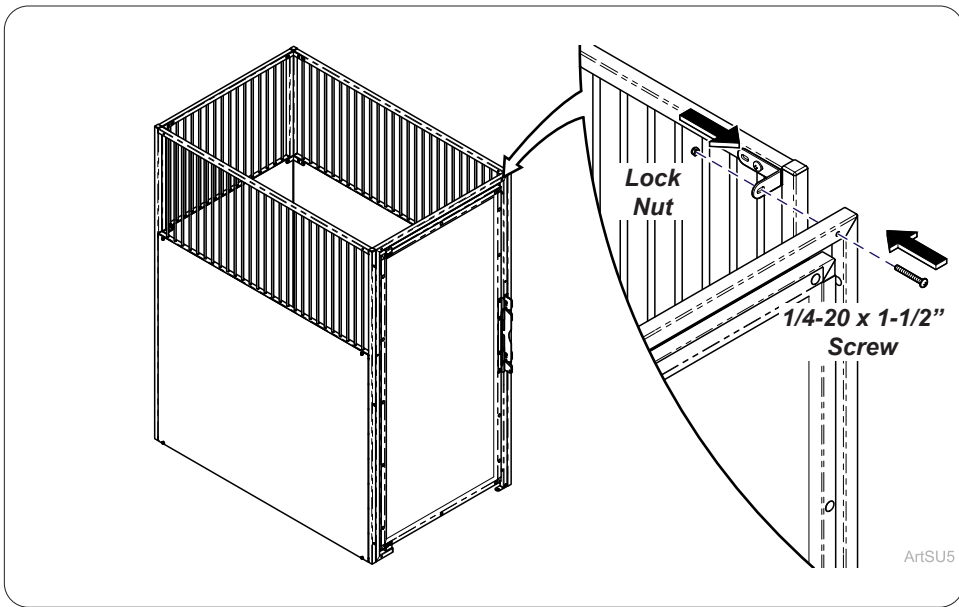
Drill hole through frame and foot extension. Secure with cap nut and screw that was removed from previous step.



### Step 4: Gate Assembly without Bottom Frame

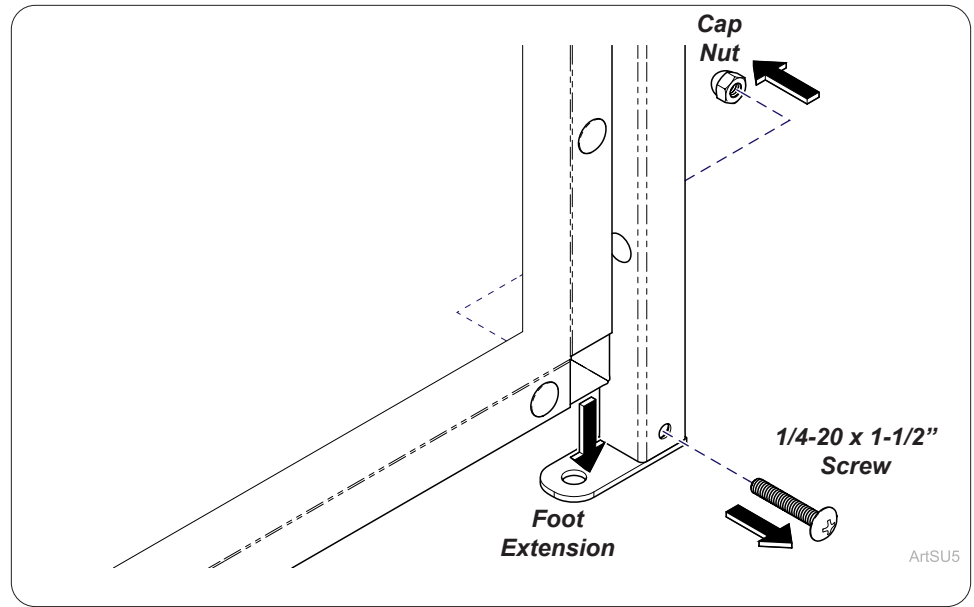
Secure bottom of gate without bottom frame to floor with approved Local and Building code anchors (Not Supplied).





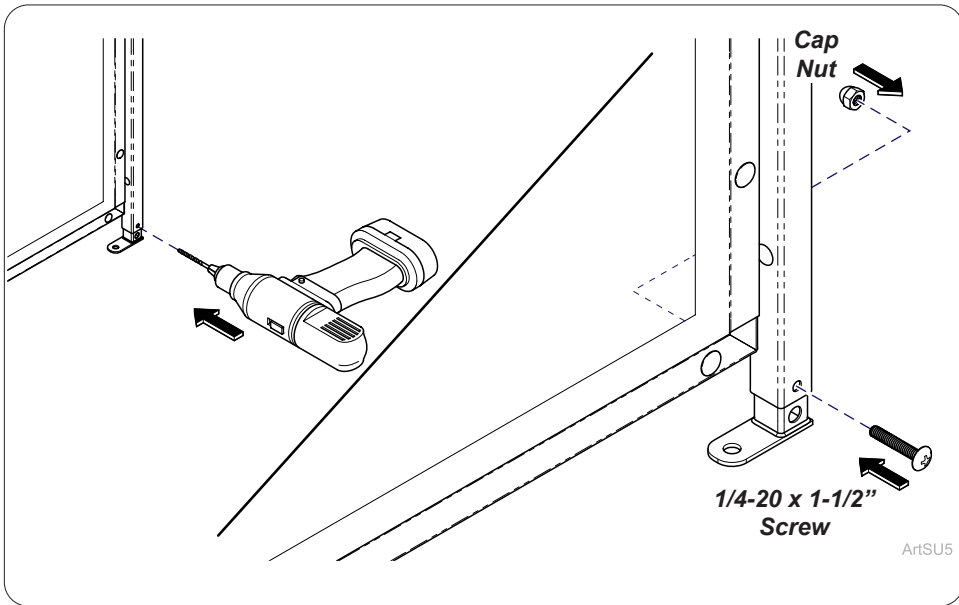
**Step 1: Glass Gate Assembly without Bottom Frame**

Gate assemblies may differ but install the same and are secured with 1/4-20 x 1-1/2" screws (5) and lock nut (5).



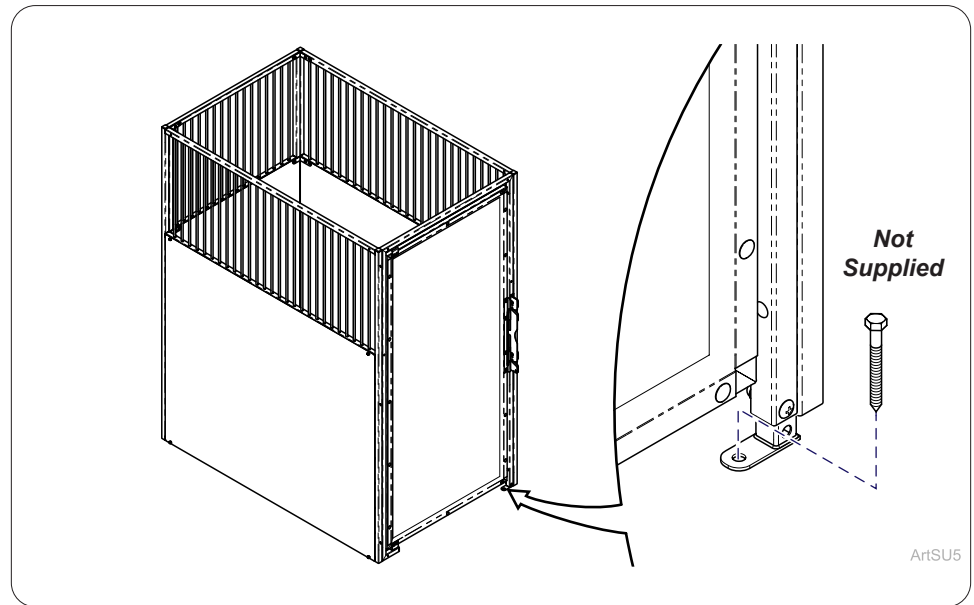
**Step 2: Glass Gate Assembly without Bottom Frame**

If necessary, to secure foot extension to the floor remove cap nut and screw. Lower foot extension to floor.



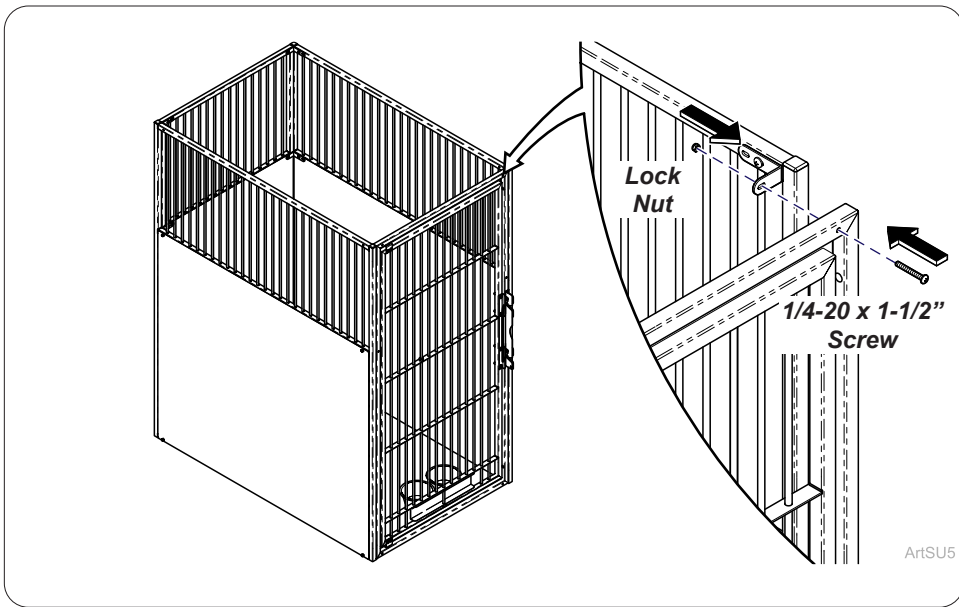
**Step 3: Glass Gate Assembly without Bottom Frame**

Drill hole through frame and foot extension. Secure with cap nut and screw that was removed from previous step.



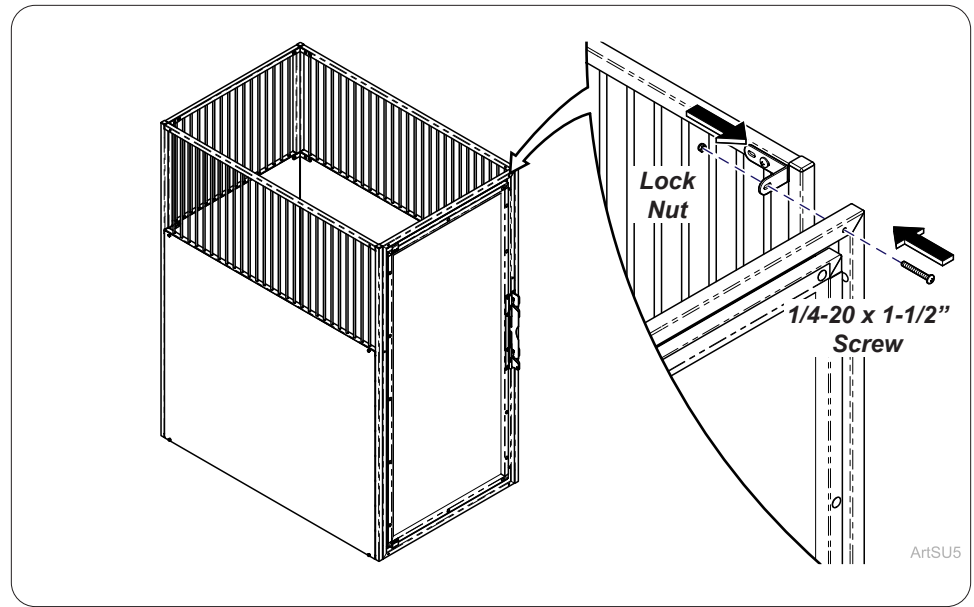
**Step 4: Glass Gate Assembly without Bottom Frame**

Secure bottom of gate without bottom frame to floor with approved Local and Building code anchors (Not Supplied).



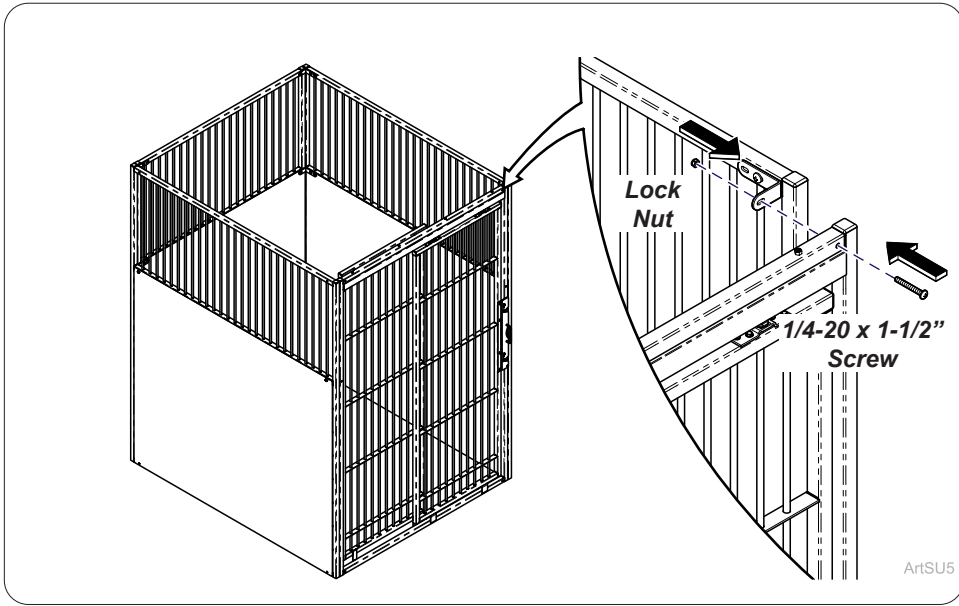
**Gate Assembly with Bowl Brackets:**

Gate assemblies may differ but install the same and are secured with 1/4-20 x 1-1/2" screws (6) and lock nut (6).



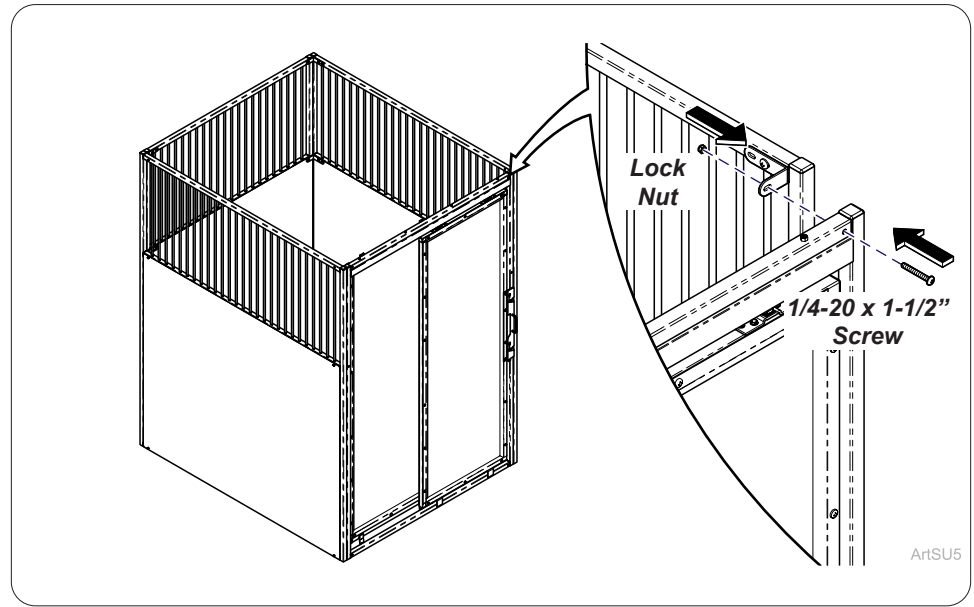
**Glass Gate Assembly:**

Gate assemblies may differ but install the same and are secured with 1/4-20 x 1-1/2" screws (6) and lock nut (6).



**Sliding Gate Assembly:**

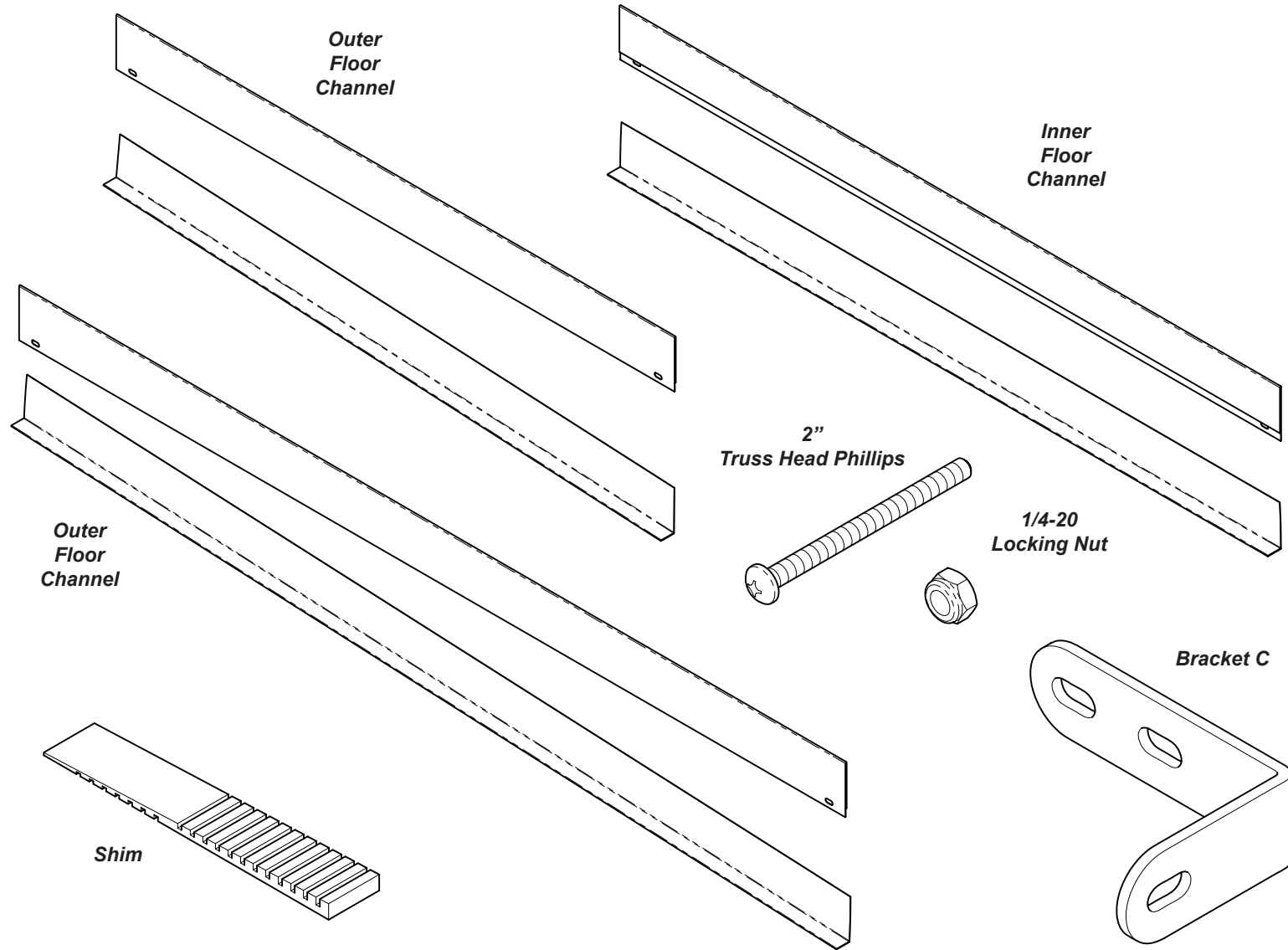
Gate assemblies may differ but install the same and are secured with 1/4-20 x 1-1/2" screws (6) and lock nut (6).



**Sliding Glass Gate Assembly:**

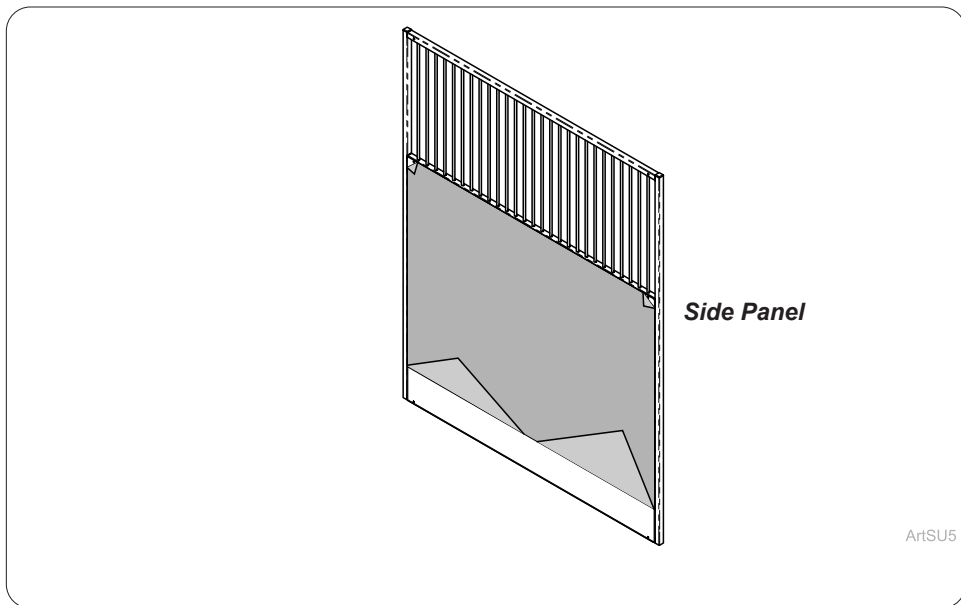
Gate assemblies may differ but install the same and are secured with 1/4-20 x 1-1/2" screws (6) and lock nut (6).

# Floor Channel Installation



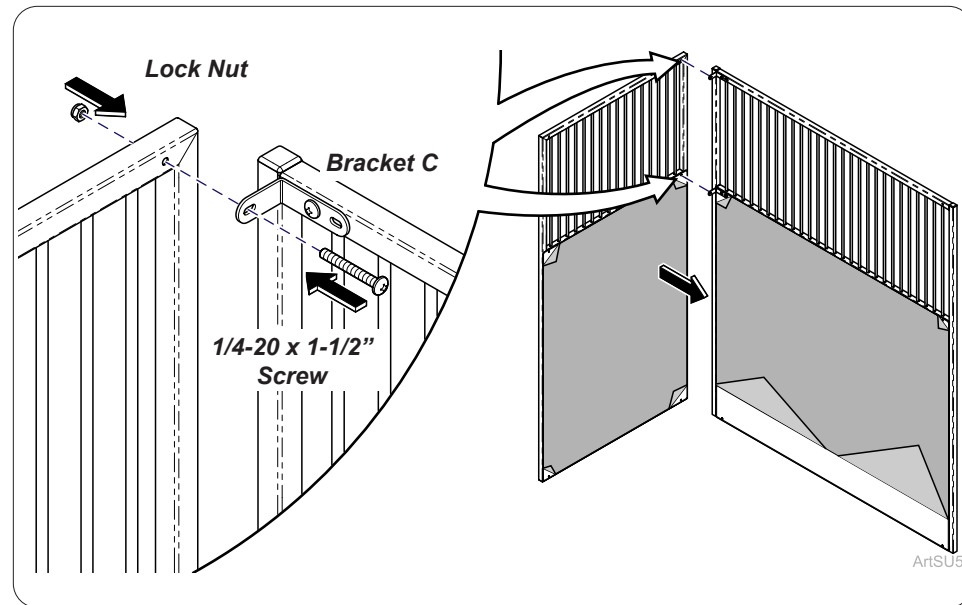
ArtFull

**Step 1:**  
Identify floor channels and components for install.

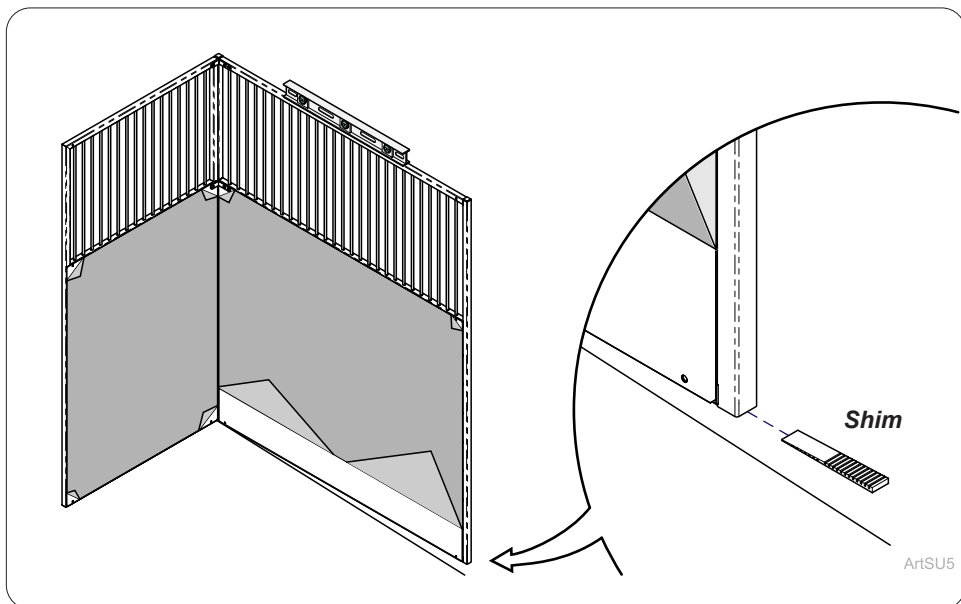


**Step 2:**  
Remove film high enough on side panel to add floor channel.

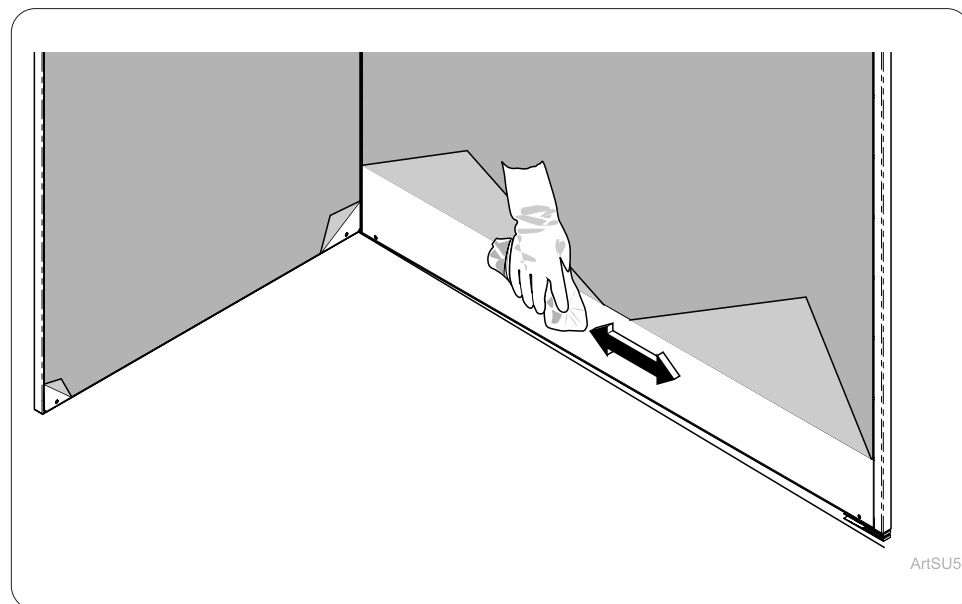
*Note: Midmark recommends multiple installers to lift.*



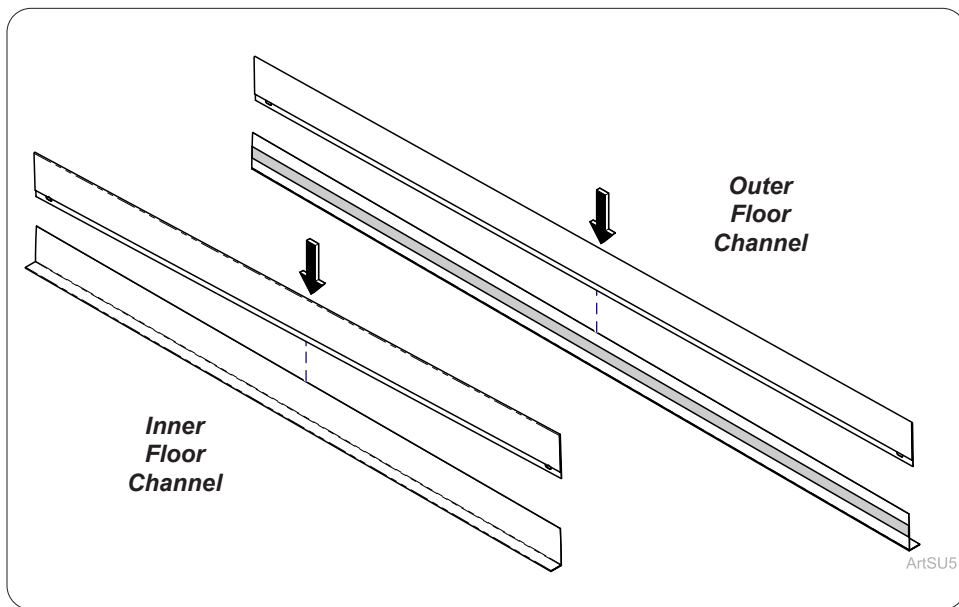
**Step 3:**  
Install back panel and side panel loosely to Bracket C in upper corners attached with 1/4-20 x 1-1/2" screws (2) and lock nuts (2).



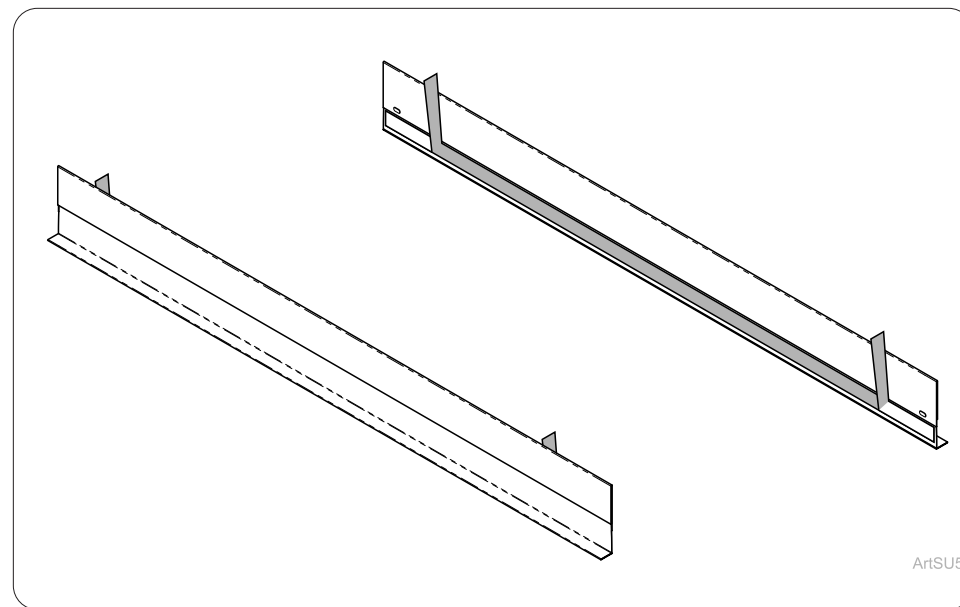
**Step 4:**  
Level side panel with back panel. Using shims if necessary to level. Hand tighten installed hardware.



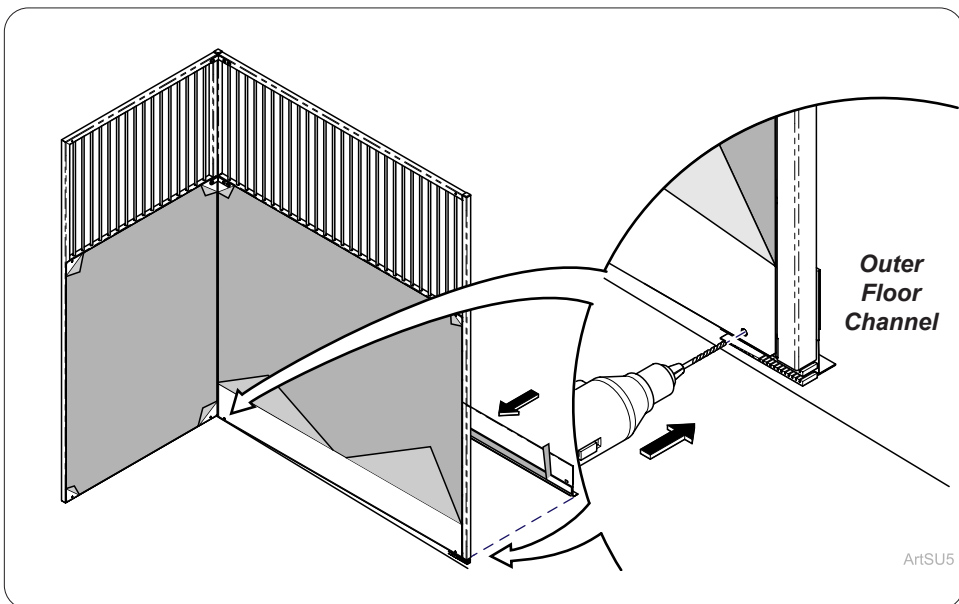
**Step 5:**  
Clean exposed stainless area of side panel w/ the 50/50 Isopropyl alcohol/water solution.



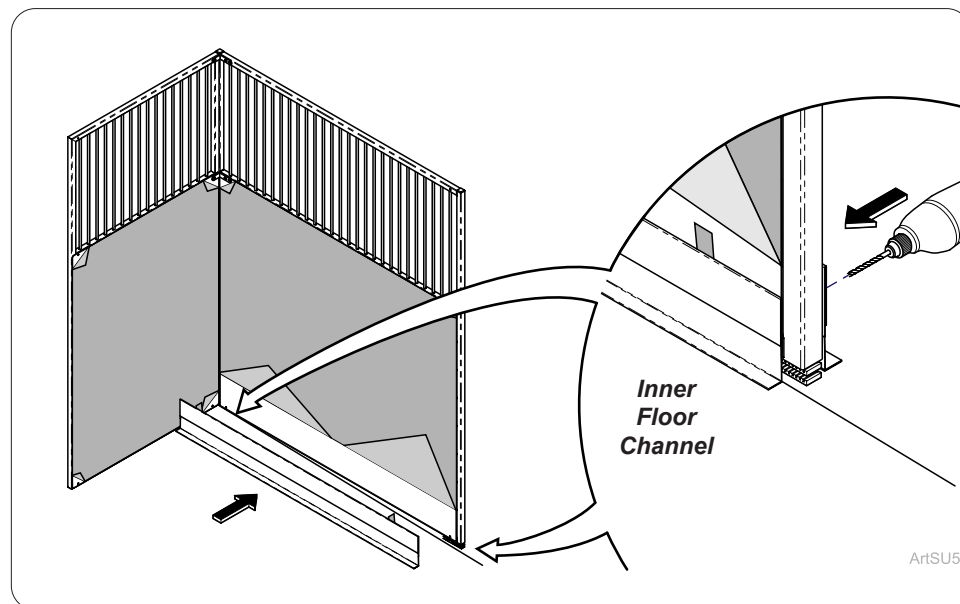
**Step 6:**  
 Assembly inner and outer floor channel to their appropriate top.



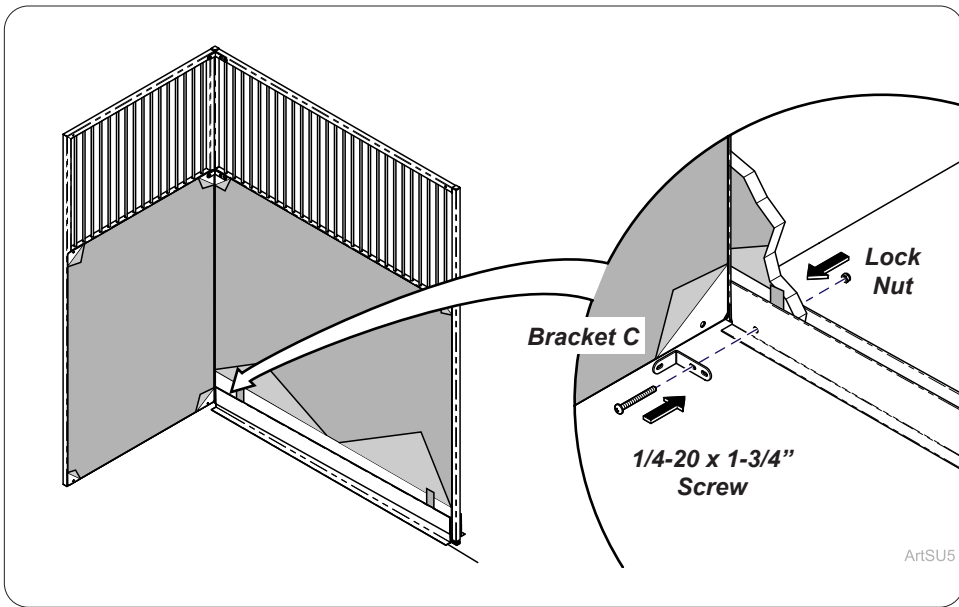
**Step 7:**  
 Peel corners of tape backing so that they stick out enough, couple inches, to get a hold of once the channel is positioned on the side panel.



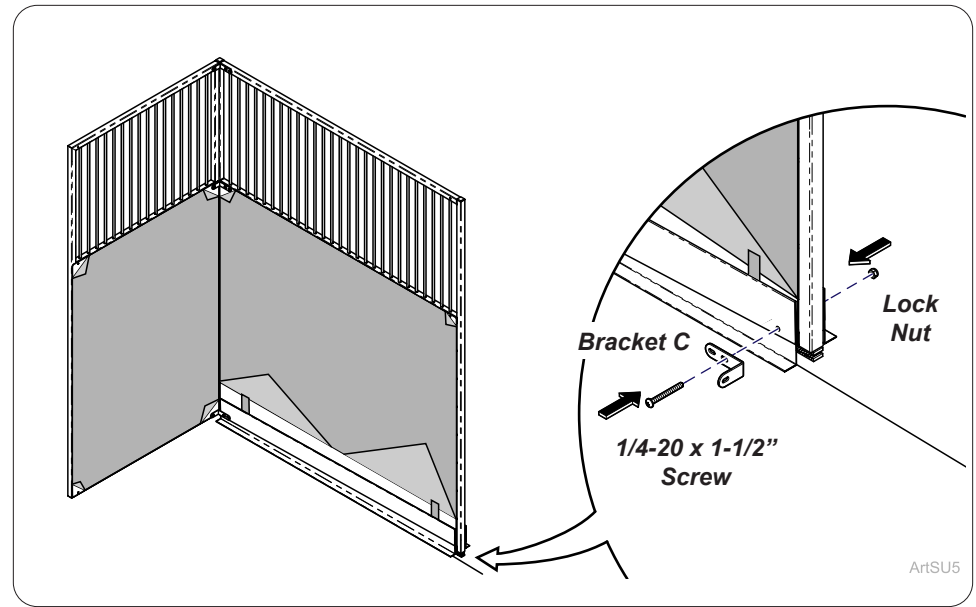
**Step 8:**  
 Slide outer floor channel into position use double stick tape to help hold in place and drill holes.



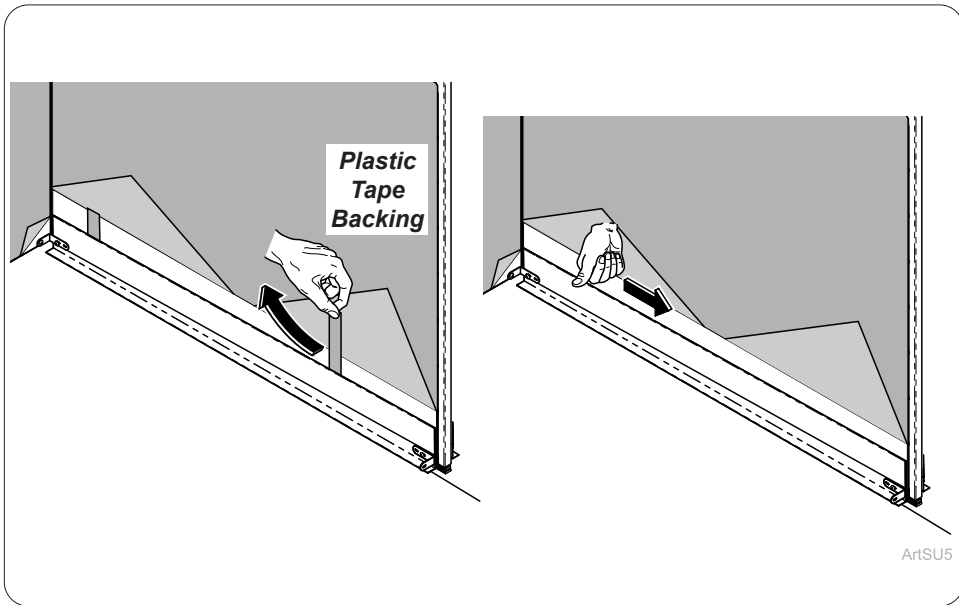
**Step 9:**  
 Slide inner floor channel into position use double stick tape to help hold in place and drill holes.  
*Note: May need to measure and mark to drill holes in floor channel.*



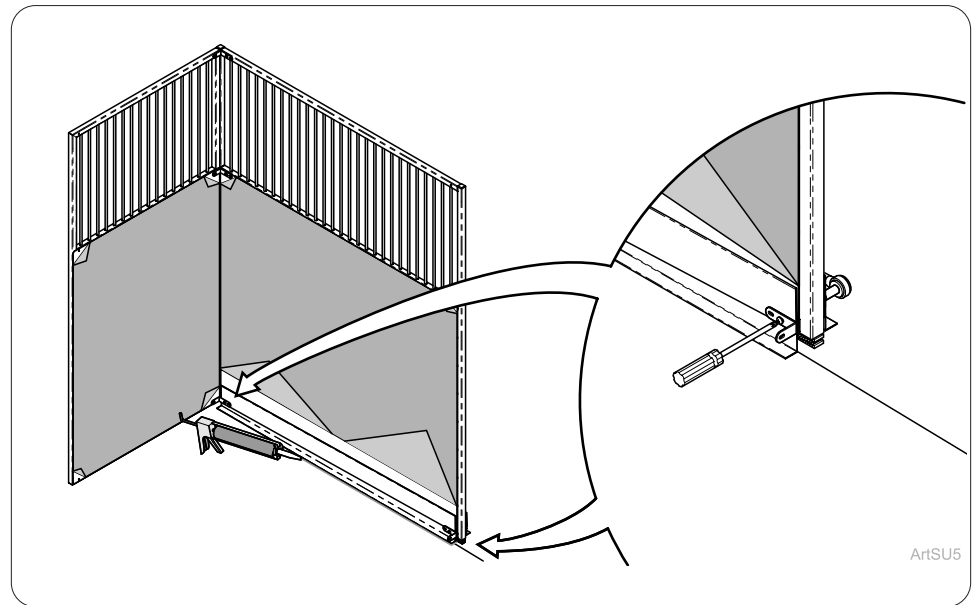
**Step 10:**  
Install Bracket C into place as shown and attach to floor channel with 1/4-20 x 1-1/2" screws (1) and lock nuts (1). Hand Tighten.



**Step 11:**  
Install Bracket C into place as shown and attach to floor channel with 1/4-20 x 1-1/2" screws (1) and lock nuts (1). Hand Tighten.

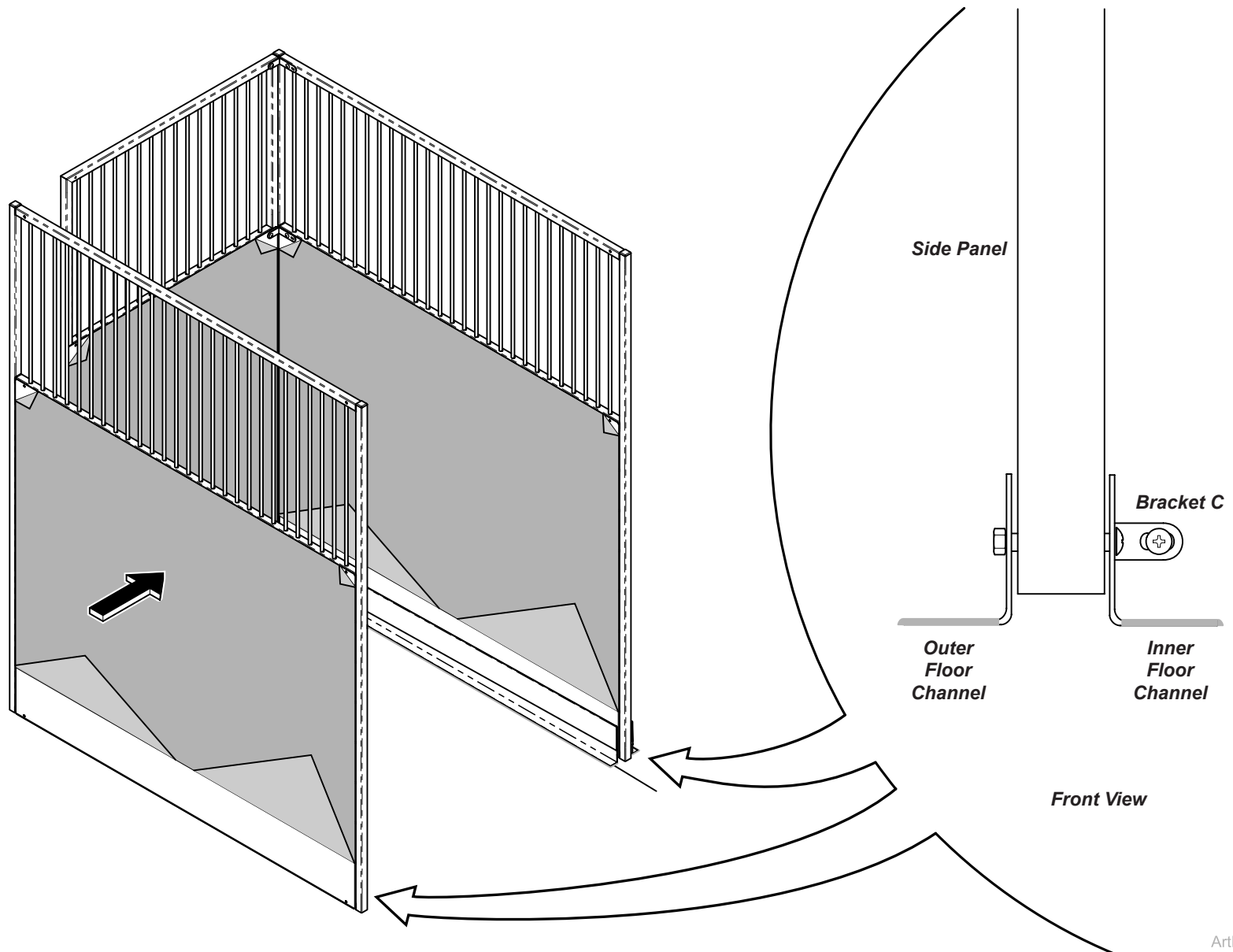


**Step 12:**  
Remove plastic tape backing and press firmly on floor channels.



**Step 13:**  
Tighten all fasteners on side panel and floor channels with tools. Apply a bead of anti-fungal Silicon should be applied along the entire length of the floor channels where the channel and floor meet.

TP201 Rev. A



**Step 14:**  
 Repeat steps for other side panel. Install should have a side panel with inner and outer floor channel and Bracket C (2) per side with appropriate hardware.

ArtFull