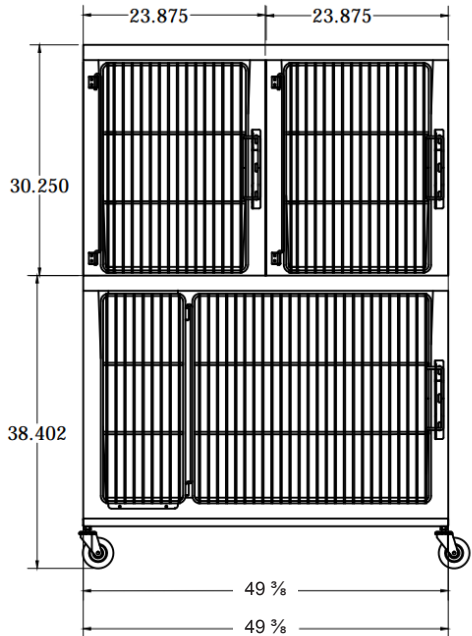
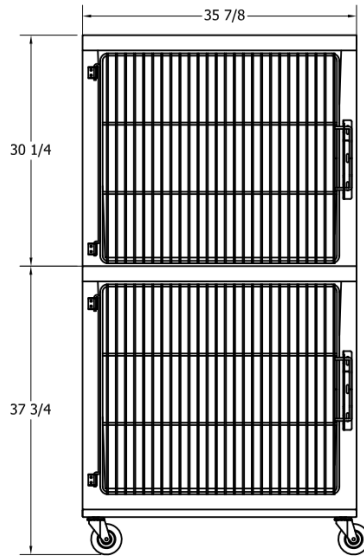


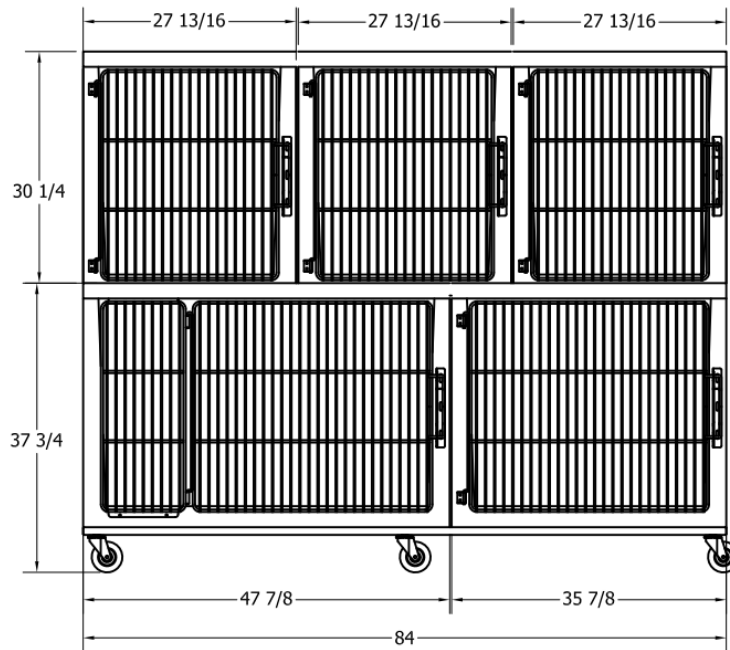
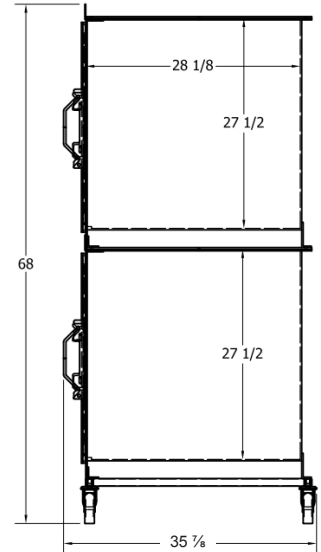
SPECIFICATIONS QUIET COTTAGES (FIBERGLASS)*



MODEL 17
Shipping Weight: 265 lb



MODEL 4
Shipping Weight: 186 lb



MODEL 1
Shipping Weight: 412 lb

NOTE: All dimensions are ± 1/8"

*Fiberglass condos are pictured with side panels. For dimensions without side panels please contact your rep.