

SPECIFICATIONS

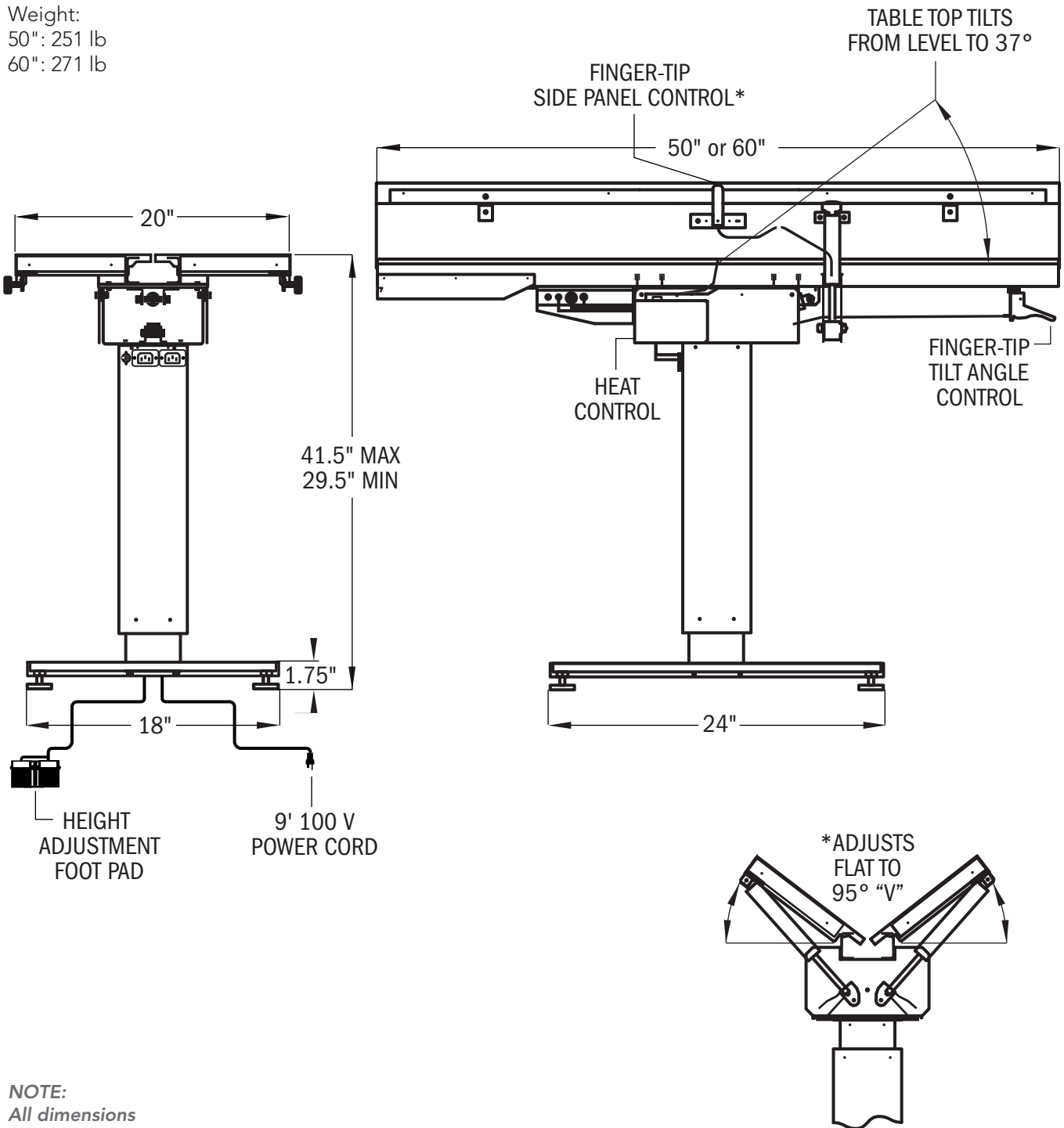
V-TOP SURGERY TABLE

ELECTRIC ADJUSTMENT



FOR MIDMARK INTERNAL USE ONLY

Weight:
 50": 251 lb
 60": 271 lb



NOTE:
 All dimensions
 are $\pm 1/8"$