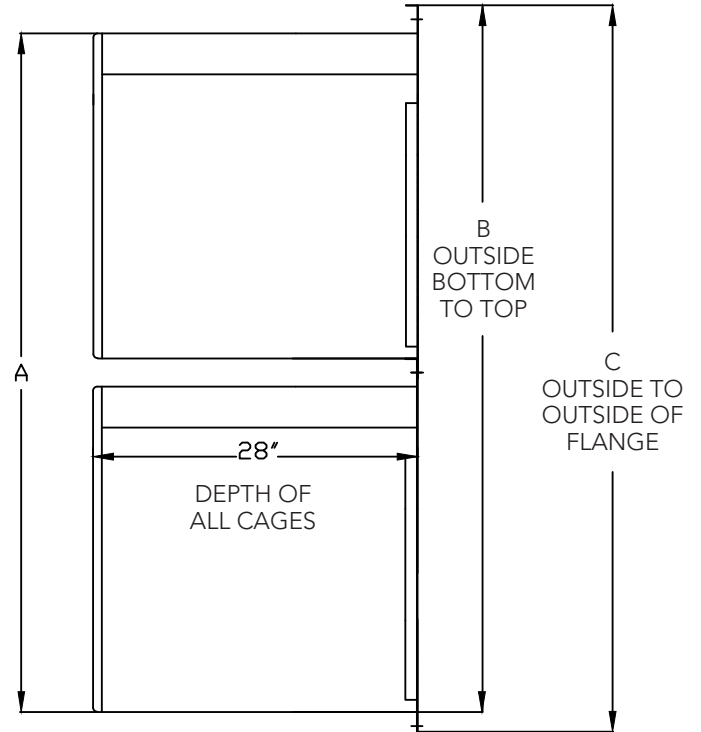
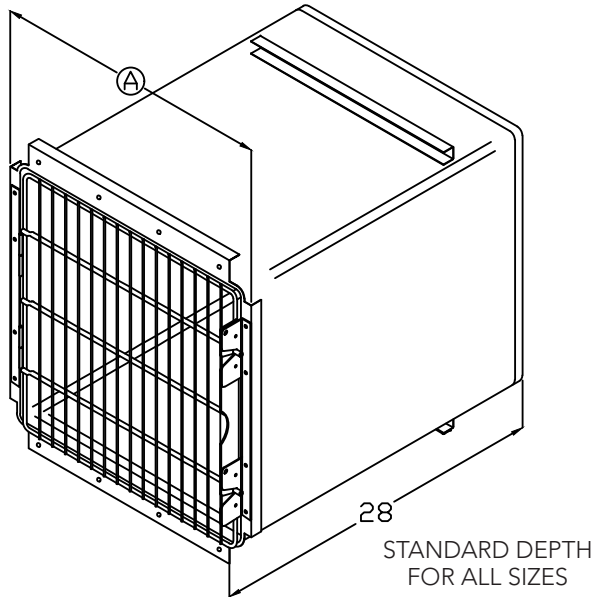


SPECIFICATIONS STAINLESS STEEL CAGES



20 GAUGE,
1" INTERNAL RADIUS



FOR TWO 30" TALL CAGES

| | |
|---------|--------|
| DIM 'A' | 58.5" |
| DIM 'B' | 61" |
| DIM 'C' | 62.71" |

| SS CAGE SIZE CHART (INCHES) | | | | |
|-----------------------------|-----------------|----|----|----|
| STANDARD WIDTH | STANDARD HEIGHT | | | |
| | 18 | 24 | 30 | 36 |
| 18 | | | | |
| 24 | | | | |
| 30 | | | | |
| 36 | | | | |
| 48 | | | | |

SHADED AREAS REPRESENT AVAILABLE CAGE SIZES

*PRODUCT NOTE
ACTUAL SINGLE CAGE HEIGHTS
INCLUDING TOP AND BOTTOM FLANGES
18" - 20.25"
24" - 26.25"
30" - 32.25"
36" - 38.25"

NOTE:
*All dimensions
are ± 1/8"*