

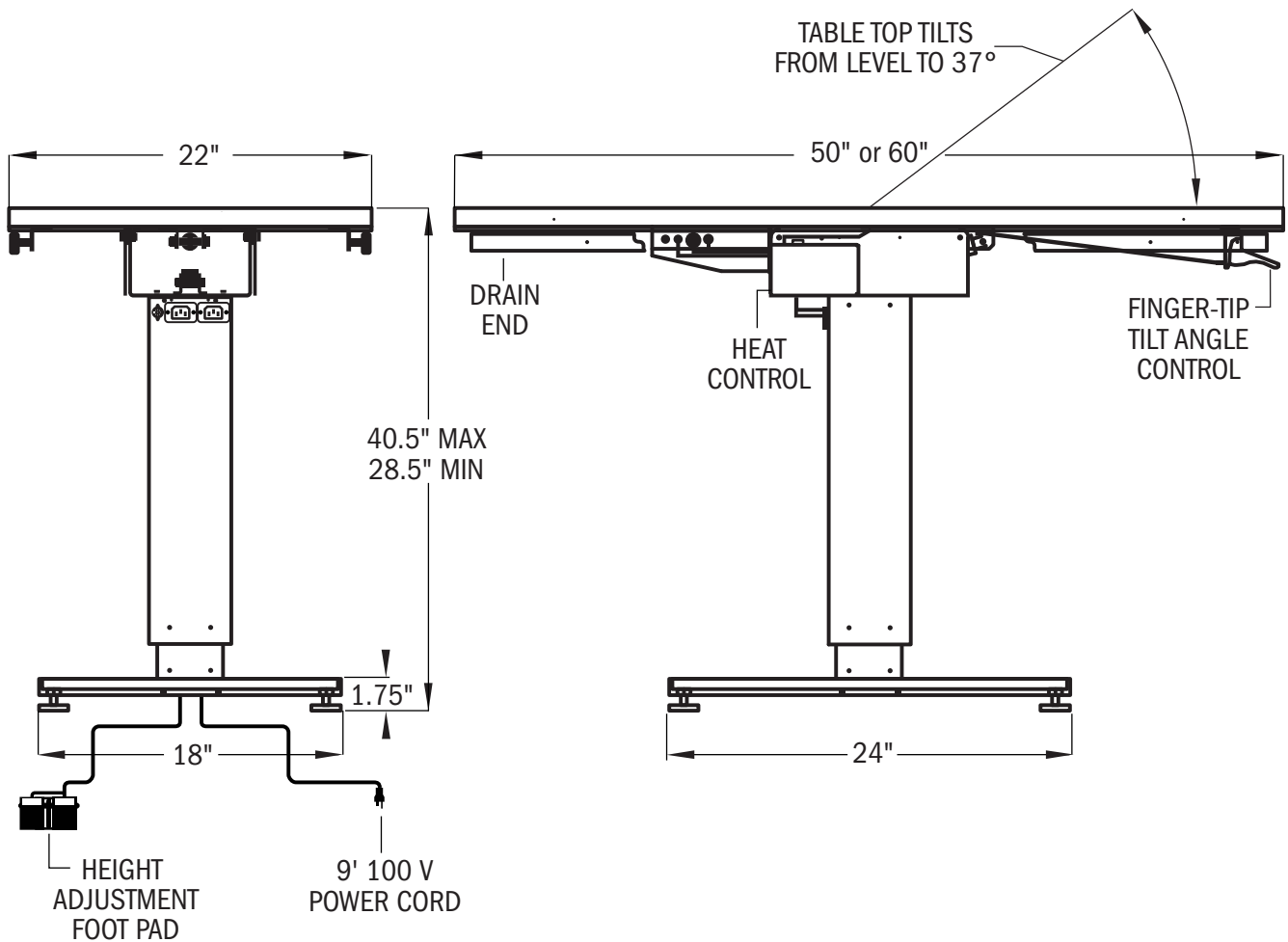
SPECIFICATIONS

FLAT-TOP SURGERY TABLE

ELECTRIC ADJUSTMENT



Weight:
50": 261 lb
60": 281 lb



NOTE:
All dimensions
are $\pm 1/8"$