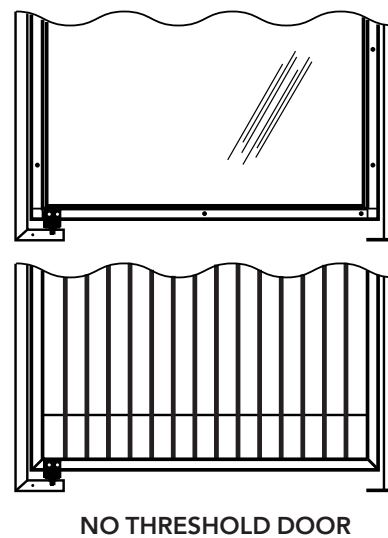
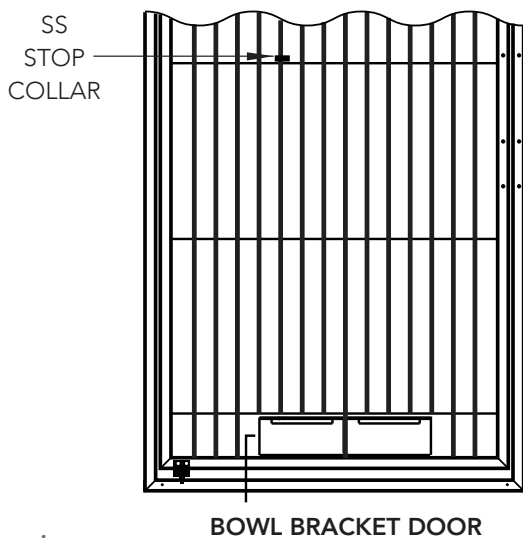
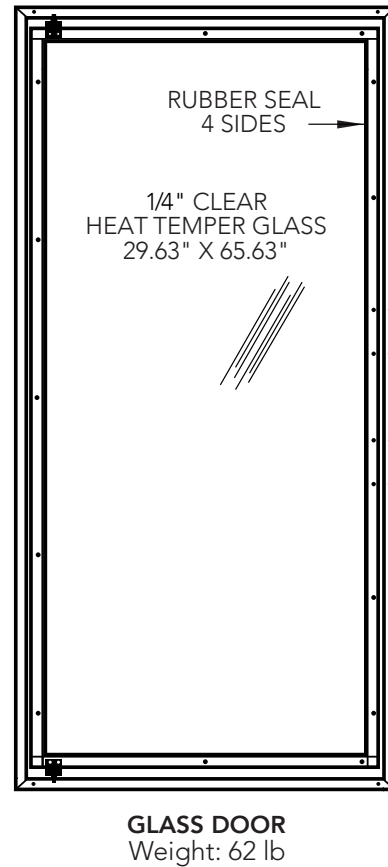
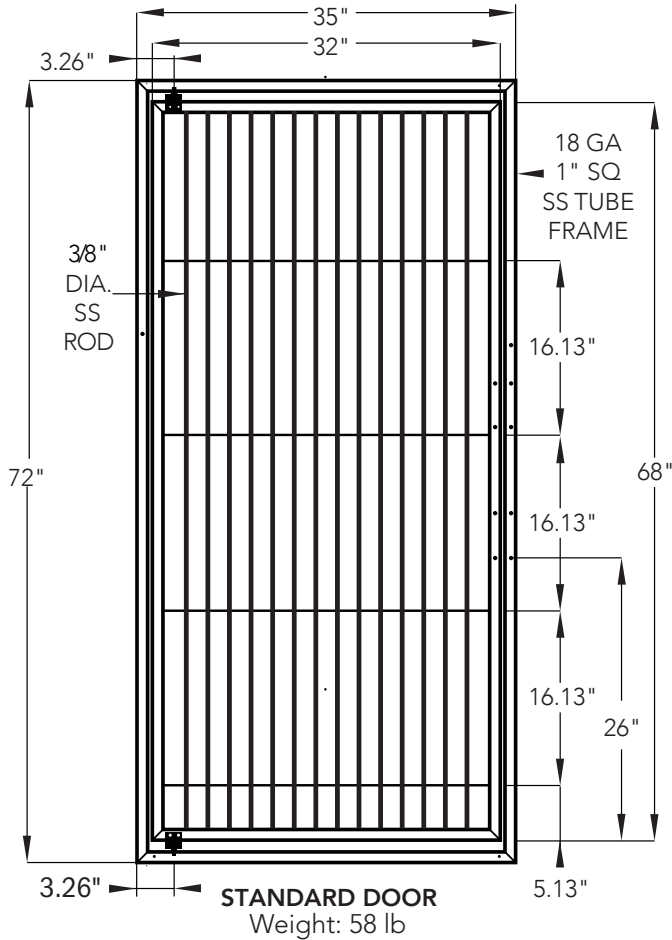


# SPECIFICATIONS

## KENNEL RUNS - DOORS

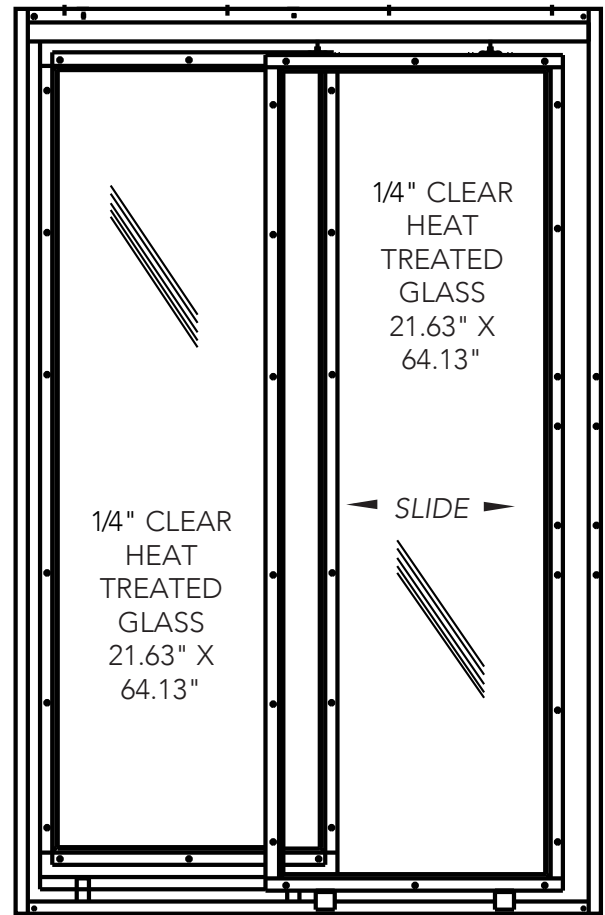
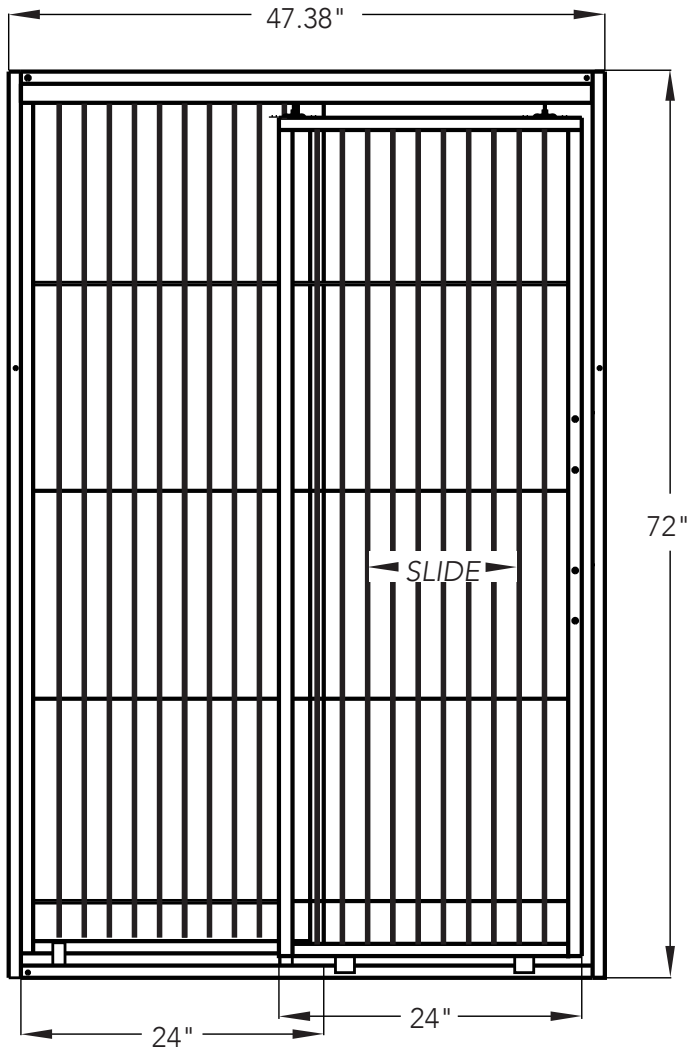
CARTHAGE  
(Page 1 of 2)



**NOTE:**  
All dimensions  
are  $\pm 1/8"$

# SPECIFICATIONS KENNEL RUNS - DOORS

CARTHAGE  
(Page 2 of 2)



Weight: 90 lb

## SLIDING DOORS

**NOTE:**  
All dimensions  
are  $\pm 1/8"$