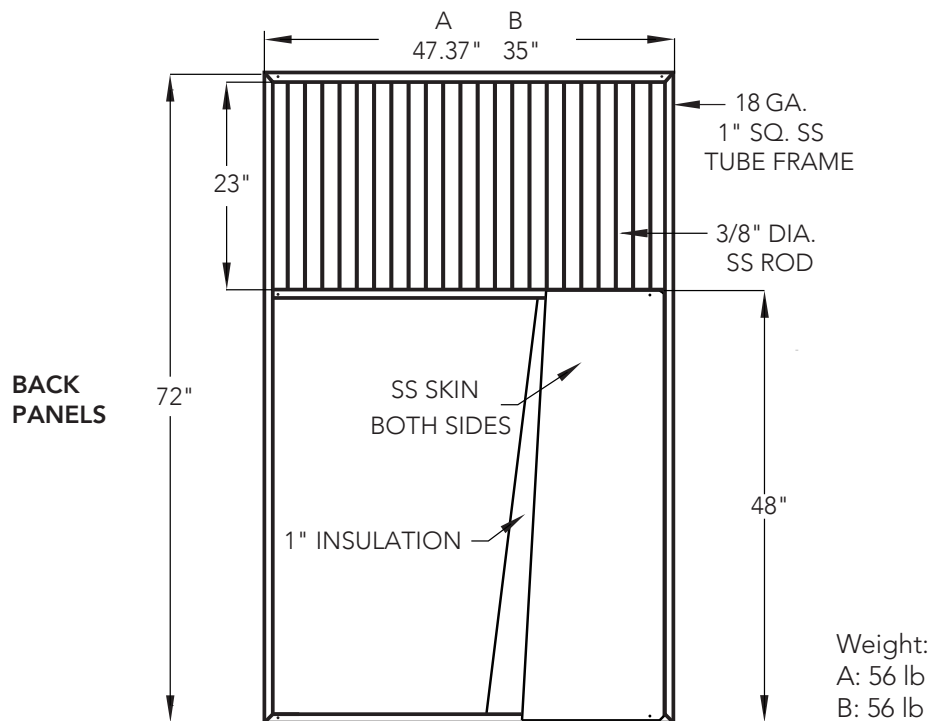
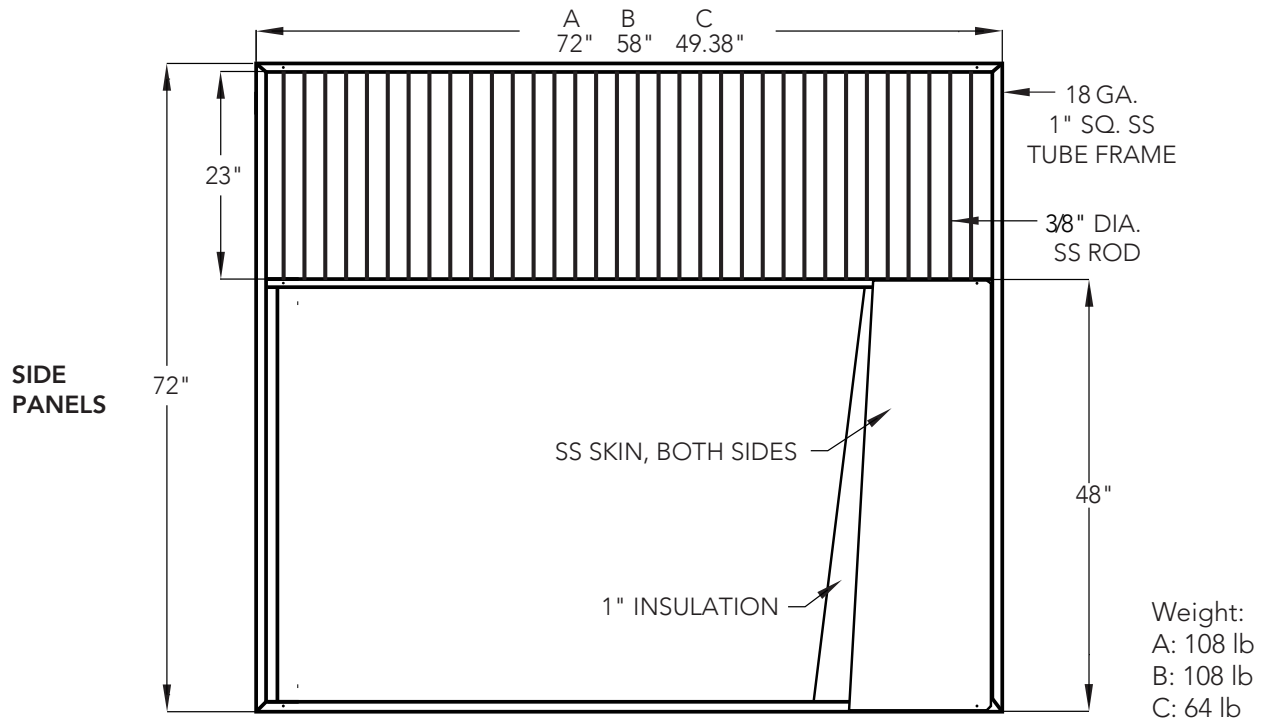


SPECIFICATIONS

RUNS - SIDES + BACKS



NOTE:
 All dimensions
 are $\pm 1/8"$