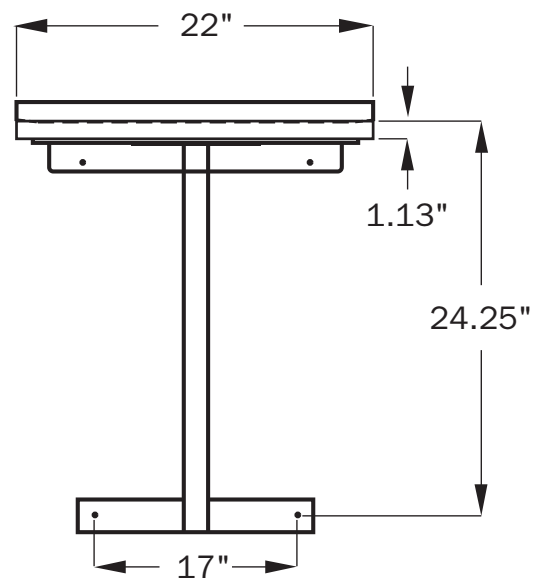
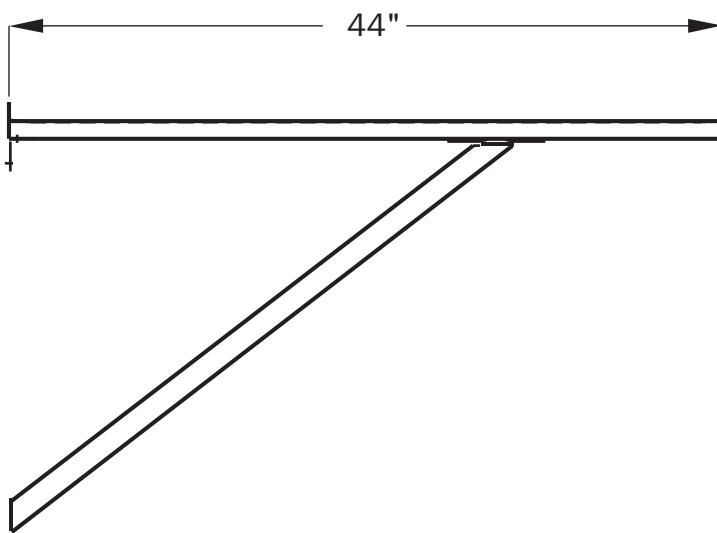


SPECIFICATIONS

STATIONARY WALL MOUNT TABLE



Weight: 83 lb



20 GA STAINLESS STEEL TOP WITH ANTI-DRIP EDGE & INNER BOARD
CAPACITY 150 LB
STAINLESS STEEL SUPPORT COLUMN & MOUNTING PLATES

NOTE:
*All dimensions
are $\pm 1/8$ "*