

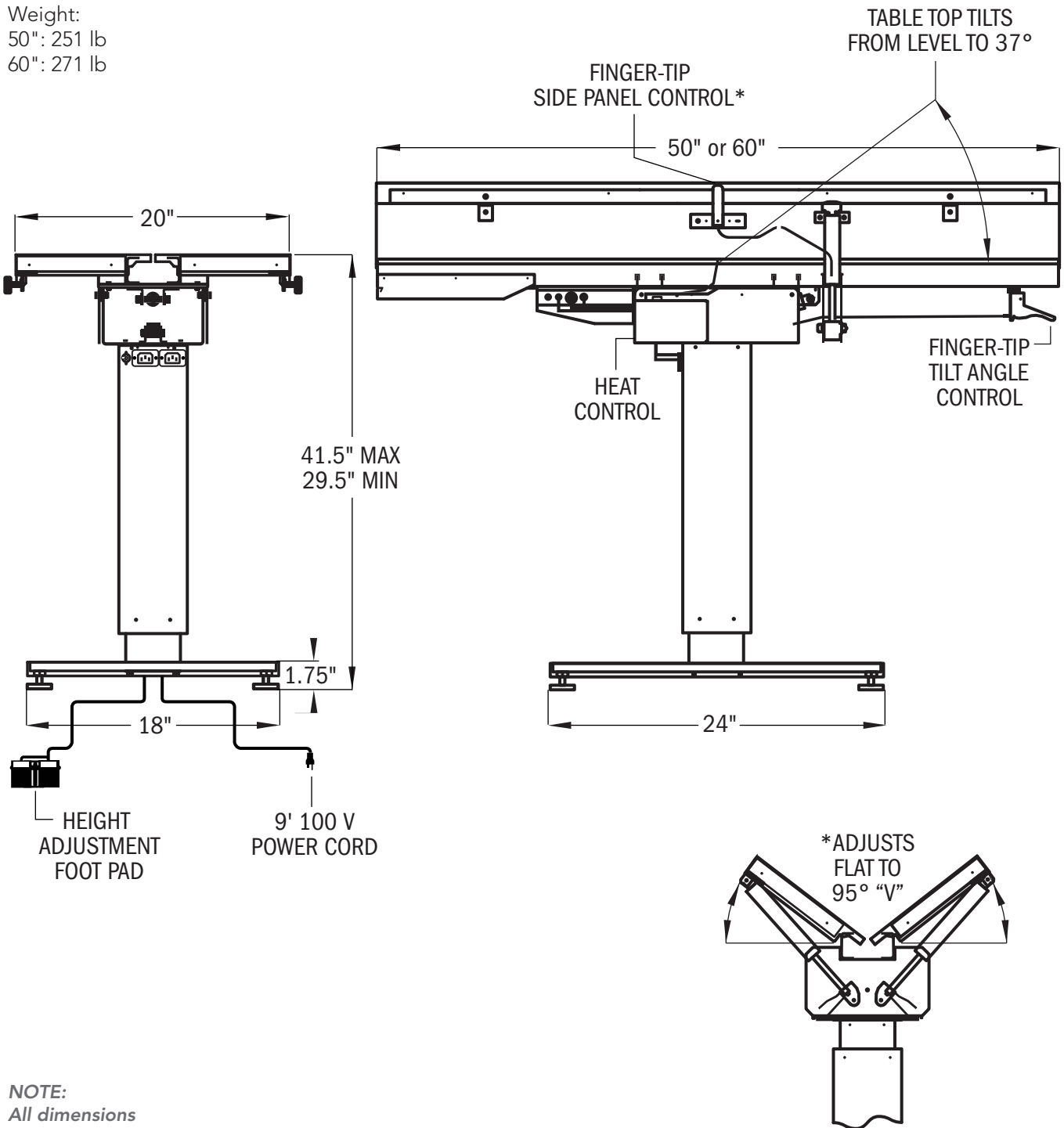
# SPECIFICATIONS

## V-TOP SURGERY TABLE

### ELECTRIC ADJUSTMENT



Weight:  
 50": 251 lb  
 60": 271 lb



**NOTE:**  
 All dimensions  
 are  $\pm 1/8"$