

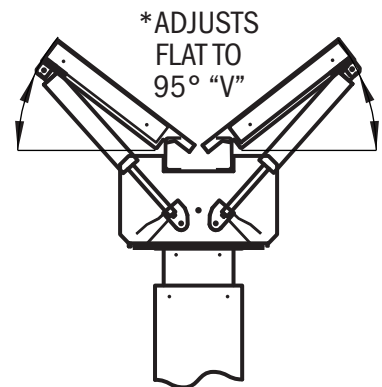
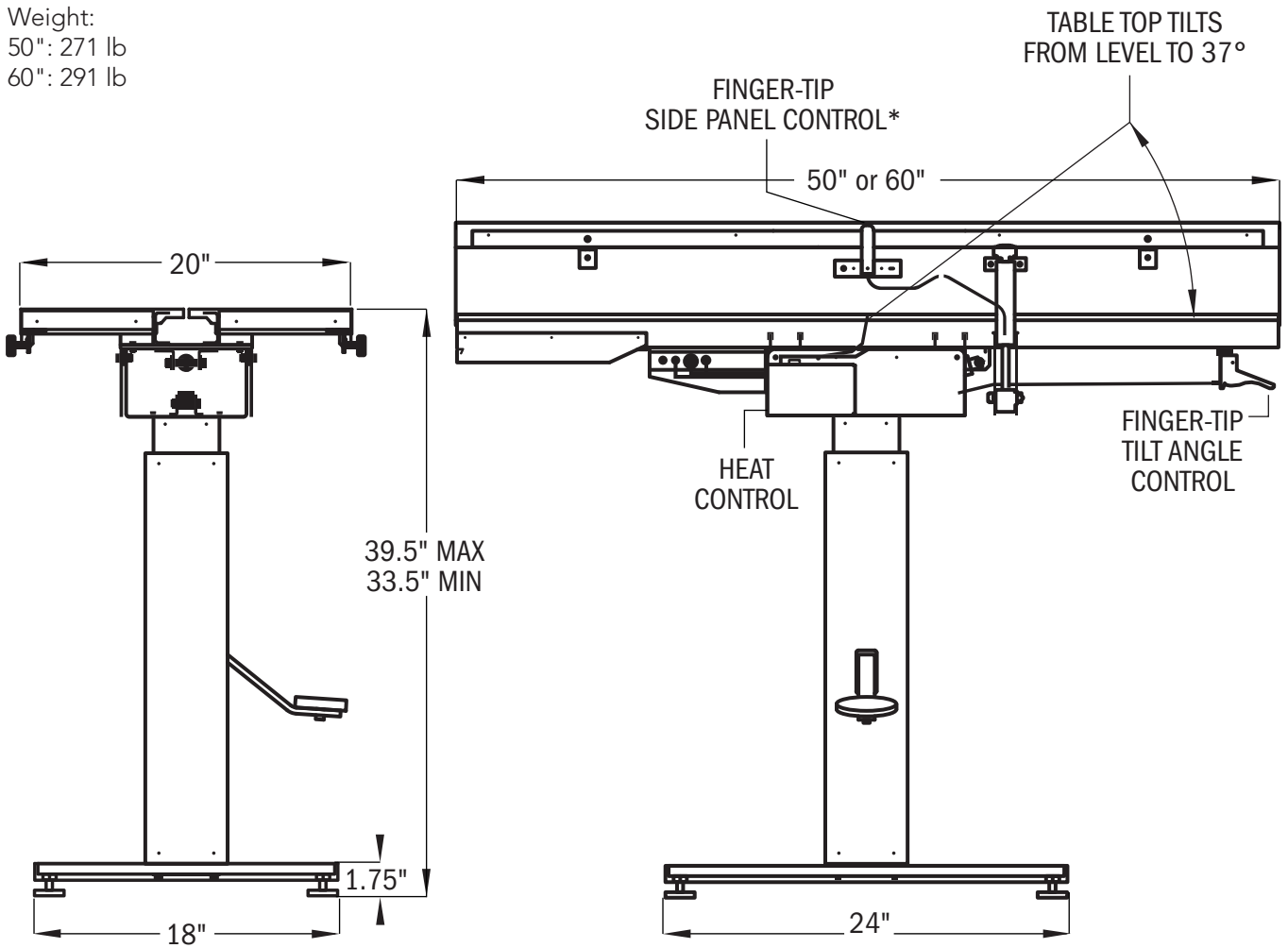
SPECIFICATIONS

V-TOP SURGERY TABLE

HYDRAULIC ADJUSTMENT



Weight:
 50": 271 lb
 60": 291 lb



NOTE:
 All dimensions
 are $\pm 1/8$ "