

Orthodontic Delivery Cabinets

Artizan® Expressions Orthodontic Delivery Cabinets are specifically designed to meet the unique storage and workflow requirements of your orthodontic and pedodontic practice. Through the use of an integrated delivery system, the cabinets offer the support of a fully functional treatment station. The station provides an independent control system for each handpiece through the Midmark patented Kink Valve system.

Artizan Expressions Delivery Cabinets are offered in two models* and are available with either a caster or stainless steel base. As is standard with all Artizan Expressions Cabinets, the Ortho Delivery Cabinets include soft-close drawers; brushed-nickel handles; 3/4-inch panel construction; cabinet-matching, 3 mm edgebanding; and solid-surface countertops.



*Two models available:
OC2421 and OC2429 CPU Ready

FEATURES



CONTROL PANEL

The handpiece controls are mounted inside the cabinet, which keeps them concealed, but accessible.



WATER BOTTLE SYSTEM

A self-contained water bottle system with city/bottle switch is mounted to the door for easy access.



DRAWER SYSTEM

Full-extension, soft-close drawers provide ample storage for supplies.



LIFT-UP WRITING SURFACE

The top drawer features a lift-up writing surface for taking notes or for use as an extra work surface.



CPU COMPARTMENT

Model OC2429 features a dedicated CPU compartment with a cooling fan and duplex electrical outlet.



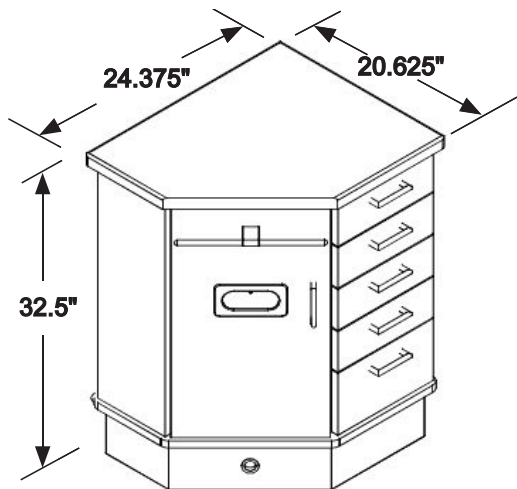
MONITOR MOUNT

Several monitor-mount options are available. (Double arm monitor and keyboard mount model 029-5185-00 is shown.)

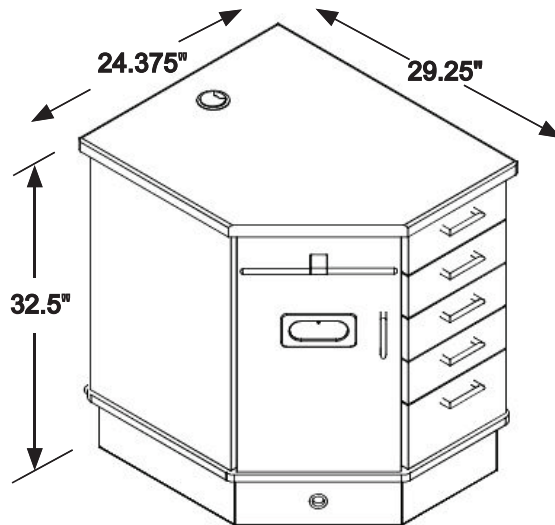
SPECIFICATIONS AND OPTIONS

Artizan® Expressions Ortho Cabinet	
Specifications	<ul style="list-style-type: none"> • Hinges: BLUM® soft-close, concealed European-style, 110° opening angle, inset, half- and full-overlay options • Drawer systems: BLUM® full-extension, ball-bearing drawer system with a soft-close feature • Pulls: Steel, brushed-nickel finish • Panel substrates: Industrial-grade particle board and 3/4" panels with factory pre-applied thermally fused melamine • Edge treatments: 3-mm PVC edgebanding
Options	<ul style="list-style-type: none"> • Double-arm monitor and keyboard mount (model OC2429 only) • Caster base • Quartz upgrade
Procenter Specialty Cabinet Mounted Delivery Unit	
Specifications	<ul style="list-style-type: none"> • Midmark-patented Kink Valve® technology, providing an independent control system for each handpiece. • Individual water-volume needle-valve adjustment • Individual air-pressure needle-valve adjustment • Wet/dry foot control with signal relay • Handpiece exhaust oil collector • Handpiece flush system
Options	<ul style="list-style-type: none"> • Handpiece Illumination System • Tubing for ISO-C Fiber Optics (6 Pin) • Tubing and lamp for Fiber Optics (5 Hole)

DIMENSIONS



model OC2421



model OC2429 CPU Ready

Blum is not a trademark of Midmark Corporation and is the sole property of their respective owners.

007-0880-00 Rev. F1 (12/20)
 © 2020 Midmark Corporation, Miamisburg, Ohio USA All rights reserved.

