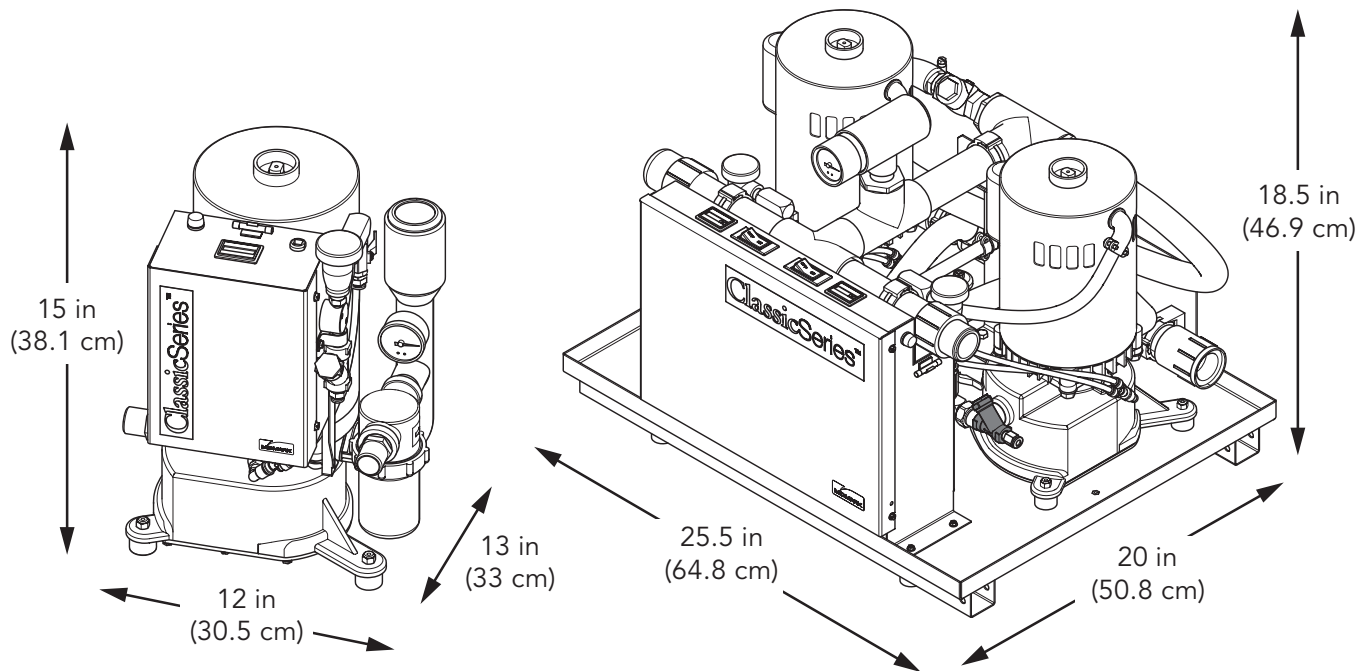


Midmark ClassicSeries Wet-Ring Vacuums



SPECIFICATIONS

| Model/ Order No. | CV3 (SINGLE) | CV3R (SINGLE) | CV5 (SINGLE) | CV5R (SINGLE) | CV6 (TWIN) | CV6R (TWIN) | CV10 (TWIN) | CV10R (TWIN) |
|---|-----------------------|-----------------------|-------------------|-------------------|------------------------|------------------------|------------------------|------------------------|
| User Capacity | 3 | 3 | 5 | 5 | 6 | 6 | 10 | 10 |
| Water Recycling | No | Yes | No | Yes | No | Yes | No | Yes |
| Horsepower | 1.25 hp | 1.25 hp | 2 hp | 2 hp | 2.5 hp | 2.5 hp | 4 hp | 4 hp |
| Voltage (Single Phase) / Frequency | 115/230 V 50/60 Hz | 115/230 V 50/60 Hz | 230 V 50/60 Hz | 230 V 50/60 Hz | 115/230 V 50/60 Hz | 115/230 V 50/60 Hz | 230 V 50/60 Hz | 230 V 50/60 Hz |
| Amperage | 15.0/7.5 A | 15.0/7.5 A | 13 A | 13 A | 15.0/7.5 A x2 | 15.0/7.5 A x2 | 13 A x2 | 13 A x2 |
| Circuit Breaker | 20 A | 20 A | 20 A | 20 A | 20 A x 2 | 20 A x 2 | 20 A x 2 | 20 A x 2 |
| Overall Size (H x W x D) | 15" x 12" x 13" | 15" x 12" x 13" | 17" x 12" x 13" | 17" x 12" x 13" | 18.5" x 25.5" x 20" | 18.5" x 25.5" x 20" | 18.5" x 25.5" x 20" | 18.5" x 25.5" x 20" |
| Weight | 54 lb | 56 lb | 63 lb | 65 lb | 134 lb | 134 lb | 154 lb | 154 lb |